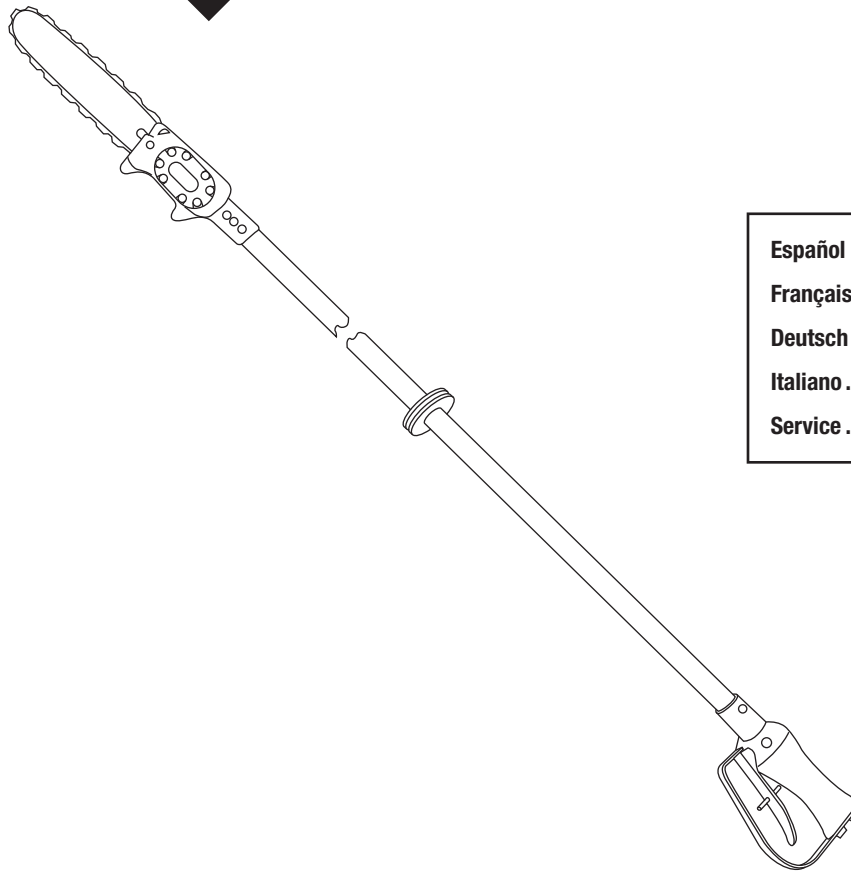


# INSTRUCTION MANUAL



Español .....	23
Français .....	45
Deutsch .....	67
Italiano .....	89
Service .....	111

## Long-Reach Chain Saws Foam-filled LRF 75 and 88

Serial Codes AMT, AMS, GLZ, GLY, HAD, and HAE



**Read and understand** all of the instructions and safety information in this manual before operating or servicing this tool.

Register this product at [www.greenlee.com](http://www.greenlee.com)

## Table of Contents

Description .....	2
Safety .....	2
Purpose .....	2
Other Publications.....	2
Important Safety Information .....	3-6
Identification .....	7
Specifications .....	8-9
Chain Saw Basics .....	10-12
Setting the Super Spool .....	13
Hoses and Fittings .....	13
Hose Connections.....	13
Typical Setup.....	13
Operation.....	14-15
Maintenance.....	16-20
Troubleshooting.....	21-22
Español.....	23
Français.....	45
Deutsch.....	67
Italiano.....	89
Service	
Disassembly .....	111
Assembly .....	112-113
Illustrations .....	114-120
Parts List .....	121-123

## Safety

Safety is essential in the use and maintenance of Greenlee tools and equipment. This instruction manual and any markings on the tool provide information for avoiding hazards and unsafe practices related to the use of this tool. Observe all of the safety information provided.

## Purpose

This manual is intended to familiarize all personnel with the safe operation, specifications and parts, and maintenance procedures for the following Greenlee hydraulic tools:

52020556 LRF 75 Serial Codes  
AMT, GLZ, and HAE

52020558 LRF 88 Serial Codes  
AMS, GLY, and HAD

Keep this manual available to all personnel.

Replacement manuals are available upon request at no charge.

## Other Publications

### Tool Owners/Users

SAE Standard J1273 (Hose and Hose Assemblies):  
Publication 99930323

## Description

Long-reach chain saws are hydraulically powered cutting tools intended for general tree trimming from the ground or from an aerial device.

Greenlee patented Super Spool™ design allows the tool to be used with either open-center or closed-center hydraulic systems. The dielectric properties of the fiberglass pole reduce the chance of electric shock when the saw is used near energized electrical lines. Other features include an anti-kickback chain, a fully covered sprocket guard, a hand-stop safety collar, a trigger interlock and a trigger guard.

Super Spool is protected by U.S. Patent No. 4,548,229.

All specifications are nominal and may change as design improvements occur. Greenlee Tools, Inc. shall not be liable for damages resulting from misapplication or misuse of its products.

# KEEP THIS MANUAL

**IMPORTANT SAFETY INFORMATION**



**SAFETY ALERT SYMBOL**

This symbol is used to call your attention to hazards or unsafe practices which could result in an injury or property damage. The signal word, defined below, indicates the severity of the hazard. The message after the signal word provides information for preventing or avoiding the hazard.

**⚠ DANGER**

Immediate hazards which, if not avoided, **WILL** result in severe injury or death.

**⚠ WARNING**

Hazards which, if not avoided, **COULD** result in severe injury or death.

**⚠ CAUTION**

Hazards or unsafe practices which, if not avoided, **MAY** result in injury or property damage.

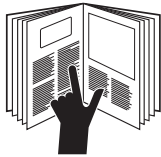


**⚠ WARNING**

Electric shock hazard:

- This tool was tested to meet OSHA 1910.269 (dry test) when manufactured. It must be properly cleaned and maintained to ensure continued non-conductive properties. When using this unit near energized electrical lines, use only certified non-conductive hoses and proper personal protective equipment.
- Keep fiberglass extension clean and dry when working around energized electrical lines. Accumulated oil or dirt reduces the insulating properties of the tool.
- When using this tool near energized electrical lines, observe the instructions provided in DIN EN 50110-1. The significant sections of this standard are provided in the Operation section of this manual.

Failure to observe these warnings could result in severe injury or death.



**⚠ WARNING**

Read and understand all of the instructions and safety information in this manual before operating or servicing this tool.

Failure to observe this warning could result in severe injury or death.




**⚠ WARNING**


Skin injection hazard:


- Do not use hands to check for leaks.
- Do not hold hose or couplers while the hydraulic system is pressurized.
- Depressurize the hydraulic system before servicing.


Oil under pressure easily punctures skin causing serious injury, gangrene or death. If you are injured by escaping oil, seek medical attention immediately.


## IMPORTANT SAFETY INFORMATION


	<b>⚠ WARNING</b>
	<p>Before operating the saw, read and understand the following explanations in this manual:</p> <ul style="list-style-type: none"> <li>• Pull-In Pull-in can occur when the blade at the bottom of the bar contacts a foreign object, such as a nail, or when the blade is pinched in the cut. The saw will be suddenly and forcefully pulled away from the operator.</li> <li>• Push-back Push-back can occur when the blade at the top of the bar contacts a foreign object, such as a nail, or when the blade is pinched in the cut. The saw will be suddenly and forcefully pushed back toward the operator.</li> <li>• Kickback Kickback can occur when the chain at the guide bar tip contacts anything. The bar of the saw will travel upward and back, toward the operator.</li> </ul> <p>Failure to observe this warning could result in severe injury or death.</p>


	<b>⚠ WARNING</b>
<p>Wear a hard hat when using this tool. Failure to observe this warning could result in severe injury or death.</p>	

	<b>⚠ WARNING</b>
	<p>Wear eye protection when operating or servicing this tool. Failure to wear eye protection could result in serious eye injury from flying debris or hydraulic oil.</p>

	<b>⚠ WARNING</b>
	<p>Wear hearing protection when using this tool. Long-term exposure to high noise levels could result in hearing loss.</p>

	<b>⚠ WARNING</b>
	<p>Wear foot protection when using this tool. Failure to observe this warning could result in serious injury.</p>

	<b>⚠ WARNING</b>
	<p>Some types of timber can produce hazardous dust when cut. Wear a dust mask to prevent breathing hazardous dust. Failure to observe this warning could result in temporary breathing difficulty or serious injury.</p>

	<b>⚠ WARNING</b>
	<p>Wear protective gloves when using this tool. Failure to observe this warning could result in serious injury.</p>

**IMPORTANT SAFETY INFORMATION****⚠ WARNING**

- Do not change accessories, inspect, adjust or clean the tool or sharpen the chain when it is connected to a power source. Accidental startup could result in serious injury.
  - Keep the handles clean, dry and free of hydraulic fluid.
  - Maintain a firm grip on tool, using both hands with thumbs and fingers encircling the handles at all times. Serious injury could result if an operator does not control the tool.
  - Do not lock the trigger in the Power-ON position. Operator cannot stop tool when trigger is locked.
  - Do not remove or modify the tool's safety trigger. Accidental startup could result in serious injury.
  - Wear protective gloves when handling or adjusting the chain. The chain can cut even when stationary.
- Failure to observe these warnings could result in severe injury or death.

**⚠ WARNING**

Saw body, bar, blade and other components will be hot during and after use. Use care when handling the saw. Hot surfaces can cause serious burns.

Failure to observe this warning could result in severe injury or death.

**⚠ WARNING**

To transport the chain saw:

- Allow the chain to stop rotating.
- Wait for the chain to cool.
- Use an appropriate guide bar sheath or scabbard.
- Carry the saw with the guide bar toward the rear.

Failure to observe these warnings could result in severe injury or death.

**⚠ WARNING**

Do not disconnect tool, hoses or fittings while the power source is running or if the hydraulic fluid is hot. Hot hydraulic fluid could cause serious burns.

**⚠ WARNING**

Do not reverse hydraulic flow. Operation with hydraulic flow reversed could cause tool malfunction. Connect the pressure hose and tank hose to the proper ports.

**⚠ CAUTION**

- Use this tool for trimming or pruning trees only. Any other use may result in injury or property damage.
- Inspect tool before use. Replace any worn, damaged or missing parts. A damaged or improperly assembled tool can malfunction, injuring nearby personnel.
- Inspect hydraulic hoses and couplings every operating day. Repair or replace if leakage, cracking, wear or damage is evident. Damaged hoses or coupling could fail resulting in injury or property damage.
- Ensure that all bystanders and unnecessary personnel are clear of the work area when operating the tool. Nearby personnel may be injured by falling debris.

Failure to observe these precautions may result in injury or property damage.

**IMPORTANT SAFETY INFORMATION****⚠ CAUTION**

Hydraulic oil can cause skin irritation.

- Handle the tool and hoses with care to prevent skin contact with hydraulic oil.
- In case of accidental skin contact with hydraulic oil, wash the affected area immediately to remove the oil.

Failure to observe these precautions may result in injury.

**⚠ CAUTION**

Vibration hazard:

Apply just enough pressure to do the work. Applying excess pressure to the tool can cause operator discomfort or temporary numbness.

Failure to observe this precaution may result in injury.

**IMPORTANT**

- Check the operation of the automatic oiler frequently. See Checking and Setting the Automatic Chain Oiler in this manual.
- Check the chain frequently for proper tension and sharpness. Tension and sharpen as necessary. See the instructions under Saw Chain and Bar Maintenance.
- Check the fluid level of the power source reservoir frequently. The automatic oiler uses hydraulic fluid to lubricate the bar and chain, and will cause the fluid level to drop.

**IMPORTANT**

Procedure for disconnecting hydraulic hoses, fittings or components:

1. Move the flow lever on the hydraulic power source to the OFF position.
2. Stop the power source.
3. Follow the sequence under Disconnecting Hoses to prevent pressure buildup. In case some pressure has built up, loosen hoses, fittings or components slowly.

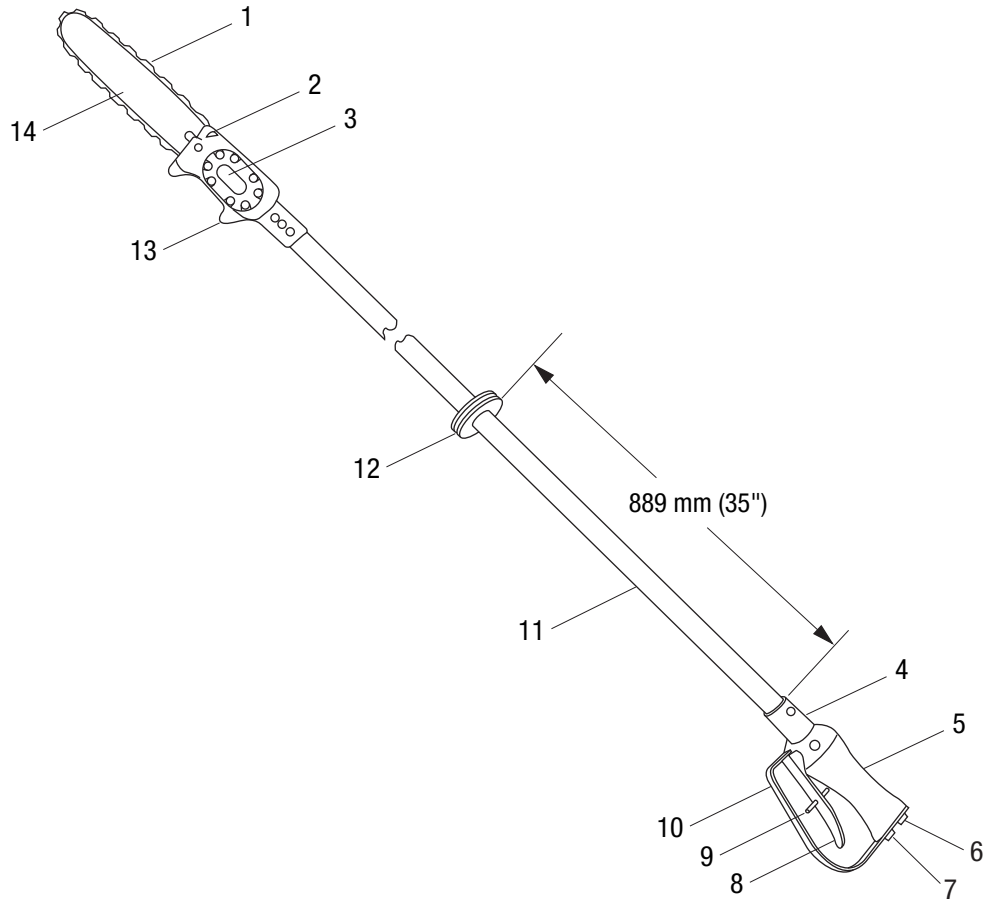
**IMPORTANT**

Emergency stop procedure:

1. Release the trigger.
2. Shut off the hydraulic power source.

*Note: Keep decals clean and legible. Replace decals when necessary.*

**Identification**



**Long-Reach Chain Saws**

- |                         |                                    |
|-------------------------|------------------------------------|
| 1. Saw Chain            | 8. Trigger                         |
| 2. Automatic Oiler      | 9. Trigger Interlock Latch         |
| 3. Hydraulic Gear Motor | 10. Trigger Guard or Trigger Strap |
| 4. Serial Number        | 11. Tube Assembly, Foam-filled     |
| 5. Handle               | 12. Hand Stop                      |
| 6. Return Port          | 13. Saw Head                       |
| 7. Pressure Port        | 14. Guide Bar                      |

## Specifications

### Long-Reach Chain Saw

Type of Hydraulic System.....	Open-center or closed-center
Hydraulic Ports	
Pressure .....	9/16–18 SAE O-ring Boss
Return.....	3/4–16 SAE O-ring Boss
Cutting Capacity.....	330 mm (13")
Chain Speed @ 30 l/min (8 gpm).....	1280 m/min (4200 ft/min)
Sound Power Level .....	106 Lwa
Vibration .....	4.88 m/s <sup>2</sup>
Mass/Weight	
52020556 .....	4.06 kg (9.03 lb)
52020558 .....	4.21 kg (9.36 lb)
Length	
52020556 .....	1890 mm (74.5")
52020558 .....	2200 mm (86.5")
Width (at motor).....	108 mm (4.25")
Depth of Body (at handle) .....	152 mm (6")

### Saw Chain

#### **⚠ WARNING**

When replacement is necessary, select a saw chain that:

- meets applicable industrial safety code specifications
- is rated for 1280 m/min (4200 ft/min)

Failure to observe this warning could result in severe injury or death.

Pitch .....	8.26 mm (0.325")
Gauge.....	1.47 mm (0.058")



## Specifications (cont'd)

### Hydraulic Power Source

#### **⚠ WARNING**

Do not exceed the following hydraulic power source maximums:

- Hydraulic flow: 30.3 l/min (8 gpm)
- Pressure relief setting: 138 bar (2000 psi)
- Back pressure: 13.8 bar (200 psi)

Failure to observe this warning could result in severe injury or death.

Type of Hydraulic System.....Open-center or closed-center

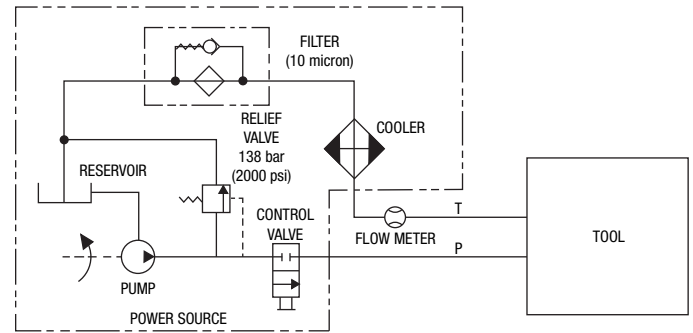
#### Flow

Minimum .....	18.9 l/min (5 gpm)
Recommended.....	22.7 l/min (6 gpm)
Maximum .....	30.3 l/min (8 gpm)
Filtration.....	10 micron (nominal)
Pressure Relief Setting .....	138 bar (2000 psi)
Back Pressure (maximum)* .....	13.8 bar (200 psi)

\* 13.8 bar (200 psi) is the maximum agreed standard back pressure for the HTMA (Hydraulic Tool Manufacturers Association). Greenlee tool will operate satisfactorily at this standard.

1. Maximum hydraulic fluid temperature must not exceed 60 °C (140 °F). A sufficient oil cooling capacity is needed to limit the hydraulic fluid temperature.
2. Hydraulic flow must not exceed 30.3 l/min (8 gpm). Install a flow meter in the return line to measure the rate of hydraulic flow before using the tool.
3. Pressure relief valve setting must not exceed 138 bar (2000 psi) at your tool's maximum flow. Locate the pressure relief valve in the supply circuit to limit excessive hydraulic pressure to the tool.

### Hydraulic Schematic



### Recommended Hydraulic Fluids

Use any non-detergent, petroleum-based hydraulic fluid which meets the following specifications or HTMA specifications.

S.U.S. @:	
38 °C (100 °F).....	140 to 225
99 °C (210 °F).....	40 minimum
Flash Point.....	170 °C (340 °F) minimum
Pour Point.....	-34 °C (-30 °F) minimum

## Chain Saw Basics

This section introduces some basic principles of chain saw use: Hazard Prevention, Compression and Tension.

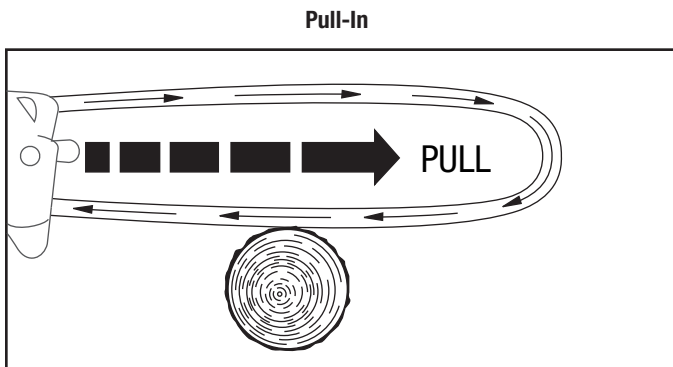
### HAZARD PREVENTION

The cutting action of this chain saw is performed by a chain-type blade driven at high speed by a powerful hydraulic motor. When used carefully and properly, the chain saw is a highly effective cutting tool.

When used improperly, or when anything interferes with the normal rotation of the blade, the operator could very suddenly and very quickly lose control of the saw. Such loss of control can result in harm to the operator. The three terms that describe loss of control are pull-in, push-back, and kickback.

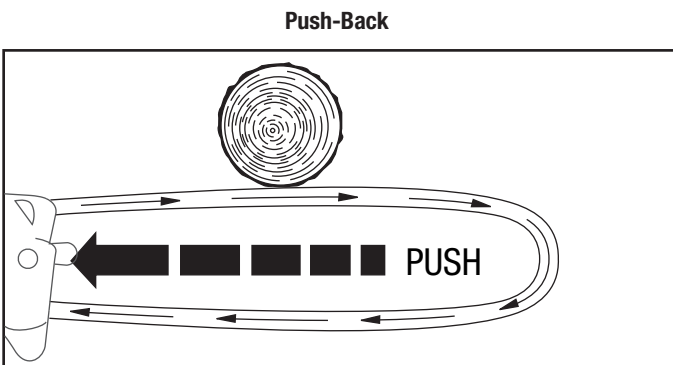
#### Pull-In

Pull-in can occur when the blade at the bottom of the bar is doing the cutting. If the blade is suddenly pinched in the cut, or if it contacts a foreign object such as a nail, the saw may be suddenly and forcefully pulled away from the operator.



#### Push-Back

Push-back can occur when the blade at the top of the bar is doing the cutting. If the blade is suddenly pinched in the cut, or if it contacts a foreign object such as a nail, the saw will be suddenly and forcefully pushed back toward the operator.



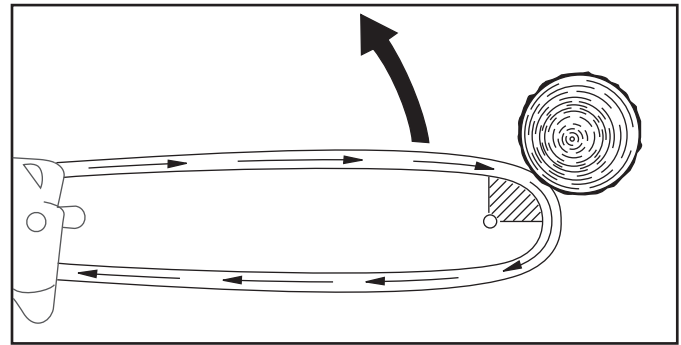
#### Kickback

Kickback is much more hazardous than pull-in or push-back. When kickback happens, the entire saw may rotate suddenly and forcefully. The bar of the saw may quickly travel upward and back, toward the operator.

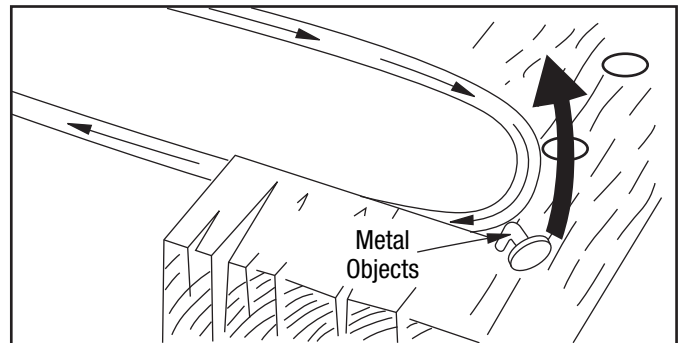
Kickback can occur when the blade at the guide bar tip contacts anything while the chain is rotating. Some causes for kickback are:

- using the guide bar tip for cutting.
- contacting a nail or other metal object when cutting.
- accidental contact when cutting more than one branch at a time.

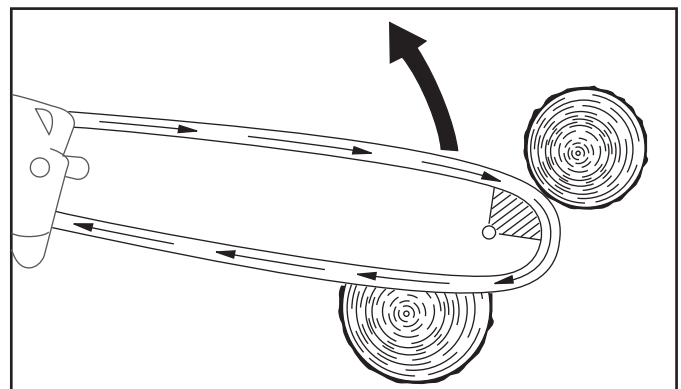
#### Using Guide Bar Tip for Cutting



#### Contact with Metal Objects



#### Cutting More Than One Branch at a Time



## Chain Saw Basics (cont'd)

### Preventing Pull-In, Push-Back and Kickback

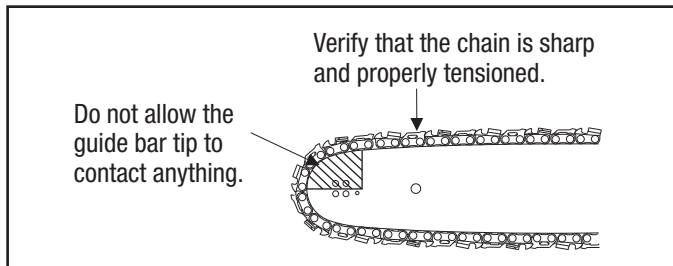
The chain/bar combination and shroud are intended to prevent or reduce the likelihood and severity of kickback. Verify that these items are in good working order (chain is sharp and properly tensioned, shroud is not damaged, etc.) to get the maximum benefit from these features. If worn or damaged, replace these items with Greenlee replacement parts.

#### General Tips:

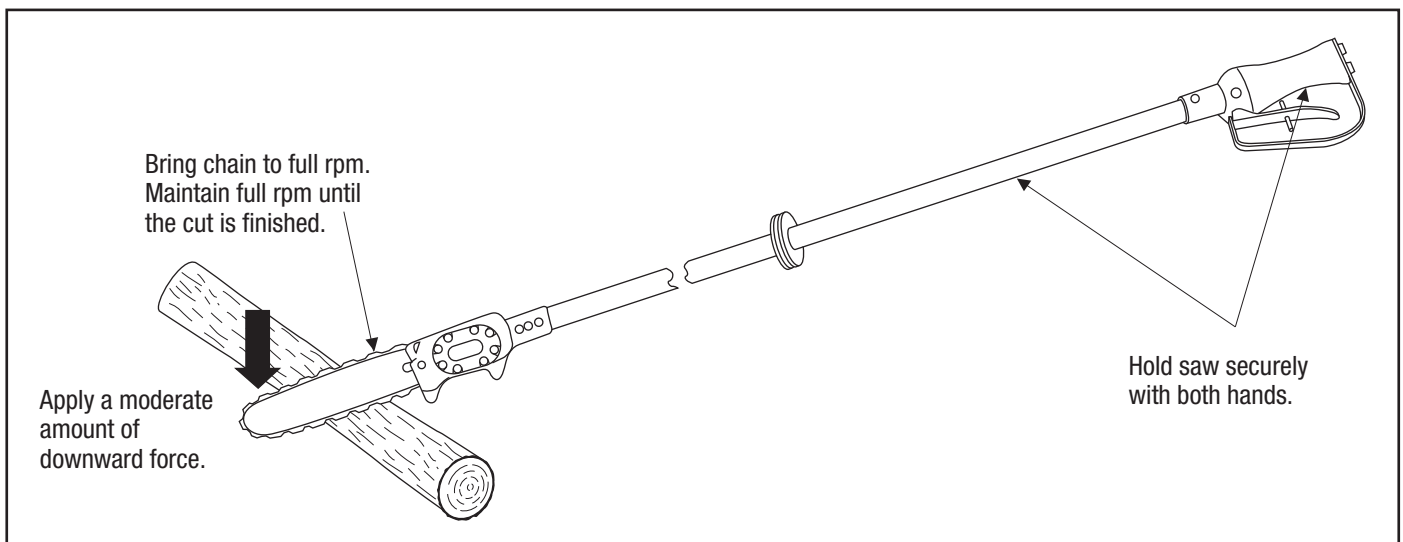
- Maintain the saw properly. Verify that the blade is sharp and has been properly tensioned.
- Do not allow the guide bar tip to contact anything.
- Do not over-reach.
- Do not use the saw above shoulder height.
- Cut only one limb, branch, or log at a time.
- Be aware that small-diameter limbs or branches are more likely to catch the blade, causing pull-in or kickback.

#### Cutting Procedure:

- Hold the chain saw securely with both hands and maintain a firm, secure grip.
- Bring the chain saw to full rpm before starting the cut. Maintain full rpm until the cut is completely finished.
- Apply a moderate amount of downward force to the saw.
- Cut straight through. Do not twist the saw during the cut.
- Be alert for the limb to shift, which may pinch the saw in the cut.
- Be alert for a limb or branch under tension to spring back when the cut is complete and the tension is released.



### Cutting Procedure



## Chain Saw Basics (cont'd)

### Site Preparation Tips

- Prepare the cutting area by clearing away brush, branches, vines, etc.
- Remove any unnecessary tools and coil up excess hydraulic hose.
- Survey the limb or branch to predict the direction or path of fall. Ensure that no personnel are in that area.
- If working in a municipal area, plan the direction of fall so that a limb doesn't fall into a roadway, strike a nearby building, contact nearby power lines, etc.
- If the tree is on an incline, work uphill from the fall path. A branch might tend to bounce or roll downhill.

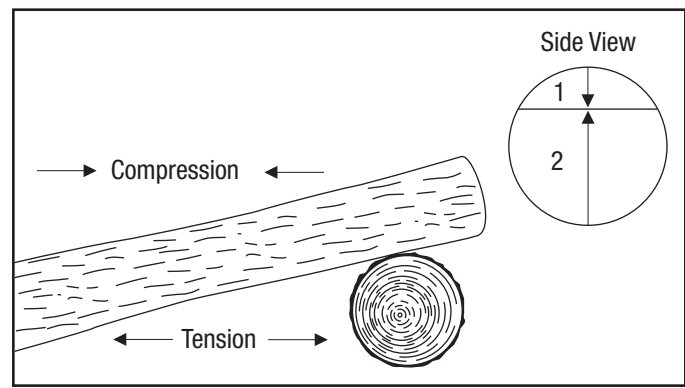
### COMPRESSION AND TENSION

Any branch or log will have two forces acting on it—compression and tension. As the branch or log is cut, compression tends to push the two halves toward each other. Tension tends to pull the two halves apart.

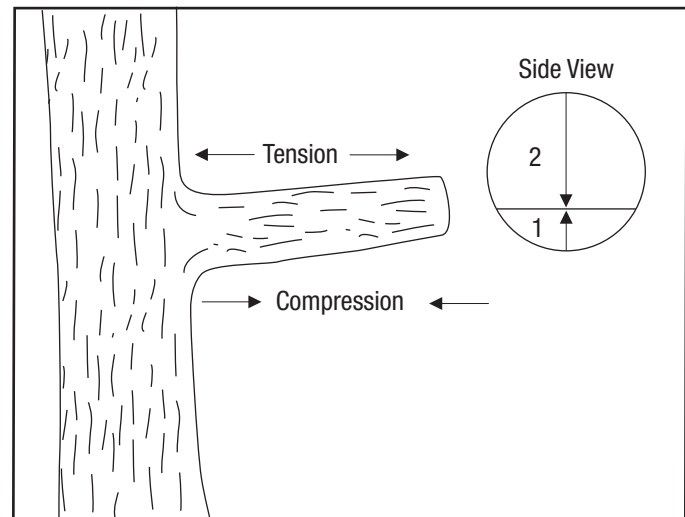
See the illustrations. A log or limb supported at both ends has the compression on the top. A log or limb supported at one end has the compression on the bottom.

Make the first cut on the compression side. Cut through approximately 1/3 of the log's diameter. Make the second cut on the tension side. This will decrease the likelihood that the saw will become pinched in the cut.

**Compression on Top**



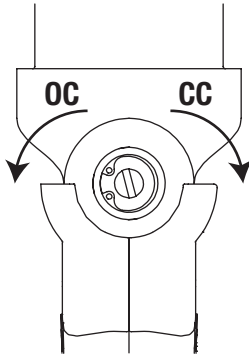
**Compression on Bottom**



## Setting the Super Spool™

The Super Spool allows the tool to be used with either open-center or closed-center hydraulic systems.

1. Insert a screwdriver into the spool recess.
2. If using:
  - Open-center hydraulic system, turn the Super Spool counterclockwise until it stops.
  - Closed-center hydraulic system, turn the Super Spool clockwise until it stops.



## Hoses and Fittings

### Installation and Maintenance

See publication 99930323, SAE J1273 (Hose and Hose Assemblies).

### Replacement

See a Greenlee catalog or Greenlee publication 99910322, Low Pressure Quick Couplers, Adapters and Hoses.

## Hose Connections

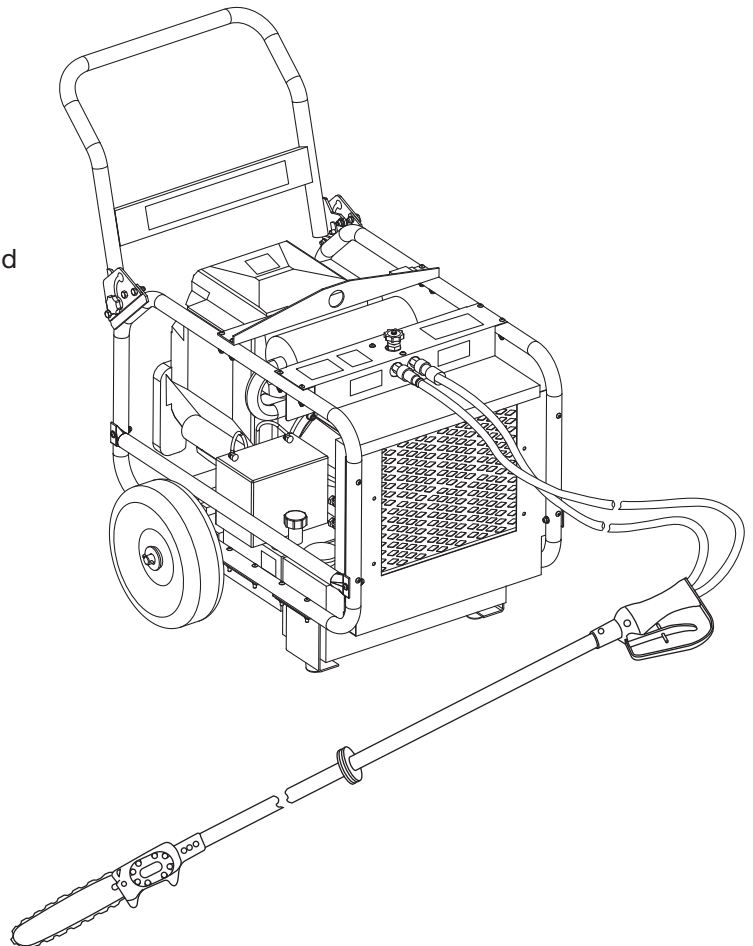
### Connecting Hoses

1. Move the flow lever on the hydraulic power source to the OFF position.
2. Stop the hydraulic power source.
3. Connect the tank hose to the tank (or return) port on the power source, and then to the tank port on the tool.
4. Connect the pressure hose to the pressure port or hose coupler on the tool, and then to the pressure port on the power source.


### Disconnecting Hoses


1. Move the flow lever on the hydraulic power source to the OFF position.
2. Stop the hydraulic power source.
3. Disconnect the pressure hose from the power source, and then from the tool.
4. Disconnect the tank hose from the tool, and then from the power source.
5. Install dust caps over the ports to prevent contamination.


## Typical Setup





## Operation

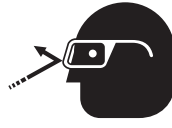
	<b>⚠ WARNING</b>
	<p>Electric shock hazard:</p> <ul style="list-style-type: none"> <li>This tool was tested to meet OSHA 1910.269 (dry test) when manufactured. It must be properly cleaned and maintained to ensure continued non-conductive properties. When using this unit near energized electrical lines, use only certified non-conductive hoses and proper personal protective equipment.</li> <li>Keep fiberglass extension clean and dry when working around energized electrical lines. Accumulated oil or dirt reduces the insulating properties of the tool.</li> </ul> <p>Failure to observe these warnings could result in severe injury or death.</p>


	<b>⚠ WARNING</b>
	<p>Skin injection hazard:</p> <ul style="list-style-type: none"> <li>Do not use hands to check for leaks.</li> <li>Do not hold hose or couplers while the hydraulic system is pressurized.</li> <li>Depressurize the hydraulic system before servicing.</li> </ul> <p>Oil under pressure easily punctures skin causing serious injury, gangrene or death. If you are injured by escaping oil, seek medical attention immediately.</p>

	<b>⚠ WARNING</b>
	<p>Saw body, bar, blade and other components will be hot during and after use. Use care when handling the saw. Hot surfaces can cause serious burns.</p> <p>Failure to observe this warning could result in severe injury or death.</p>


	<b>⚠ WARNING</b>
	<p>Wear a hard hat when using this tool.</p> <p>Failure to observe this warning could result in severe injury or death.</p>

	<b>⚠ WARNING</b>
	<p>Before operating the saw, read and understand the following explanations in this manual:</p> <ul style="list-style-type: none"> <li><b>Pull-In</b> Pull-in can occur when the blade at the bottom of the bar contacts a foreign object, such as a nail, or when the blade is pinched in the cut. The saw will be suddenly and forcefully pulled away from the operator.</li> <li><b>Push-back</b> Push-back can occur when the blade at the top of the bar contacts a foreign object, such as a nail, or when the blade is pinched in the cut. The saw will be suddenly and forcefully pushed back toward the operator.</li> <li><b>Kickback</b> Kickback can occur when the chain at the guide bar tip contacts anything. The bar of the saw will travel upward and back, toward the operator.</li> </ul> <p>Failure to observe this warning could result in severe injury or death.</p>

	<b>⚠ WARNING</b>
	<p>Wear eye protection when operating or servicing this tool.</p> <p>Failure to wear eye protection could result in serious eye injury from flying debris or hydraulic oil.</p>

	<b>⚠ WARNING</b>
	<p>Wear hearing protection when using this tool.</p> <p>Long-term exposure to high noise levels could result in hearing loss.</p>

## Operation (cont'd)

	<b>⚠ WARNING</b>
	<p>Wear foot protection when using this tool.</p> <p>Failure to observe this warning could result in serious injury.</p>

<b>⚠ WARNING</b>
<p>Do not disconnect tool, hoses or fittings while the power source is running or if the hydraulic fluid is hot. Hot hydraulic fluid could cause serious burns.</p>

<b>⚠ CAUTION</b>
<p>Vibration hazard:</p> <p>Apply just enough pressure to do the work. Applying excess pressure to the tool can cause operator discomfort or temporary numbness.</p> <p>Failure to observe this precaution may result in injury.</p>

<b>IMPORTANT</b>
<ul style="list-style-type: none"> <li>• Check the operation of the automatic oiler frequently. See Checking and Setting the Automatic Chain Oiler in this manual.</li> <li>• Check the chain frequently for proper tension and sharpness. Tension and sharpen as necessary. See the instructions under Saw Chain and Bar Maintenance.</li> <li>• Check the fluid level of the power source reservoir frequently. The automatic oiler uses hydraulic fluid to lubricate the bar and chain, and will cause the fluid level to drop.</li> </ul>

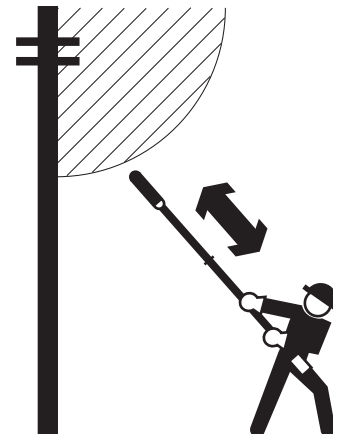
<b>IMPORTANT</b>
<p>Emergency stop procedure:</p> <ol style="list-style-type: none"> <li>1. Release the trigger.</li> <li>2. Shut off the hydraulic power source.</li> </ol>

These additional instructions are derived from EN 50110-1:

- To avoid electrical danger and prevent injury or electrocution:
  - a) the operator must have the necessary technical knowledge or experience

**or**

  - b) the operator must work under the direct supervision of another person who has the necessary technical knowledge or experience.



- This tool must not be used under adverse environmental conditions. These include a lightning storm, any sign of an approaching lightning storm (such as thunder), and poor visibility.
- If any electrical lines or other electrical components carry voltages greater than 50 VAC or 120 VDC, ensure that:

- a) live parts cannot be touched — use screens, barriers, an enclosure, or insulating covering
- or**
- b) the “live working zone” cannot be reached with either parts of the body, the tool, or any accessories.

The live working zone is the distance from any electrically live part, based on the voltage carried by the live part. Refer to EN 50110-1, Annex A for this information.

*Note: Maintain proper footing and balance while using the tool. Do not over-reach. Unsuitable footing and balance may not allow counteracting normal or unexpected movement of the power tool.*

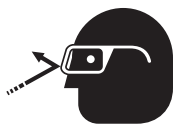
1. Grasp the front handle with one hand and the trigger handle with the other hand.
2. Move the trigger interlock latch forward and pull the trigger until the saw reaches full rpm.
3. Feed the rotating saw chain using a steady, constant pressure.

*Note: Cut straight through the wood — do not twist the saw in the cut.*

4. To stop the saw, release the trigger.
5. When the tool is not in use, stop the power source to reduce heat and wear.



## Maintenance

	<b>⚠ WARNING</b>
	<p>Wear eye protection when operating or servicing this tool.</p> <p>Failure to wear eye protection could result in serious eye injury from flying debris or hydraulic oil.</p>

<b>⚠ WARNING</b>
<p>Do not change accessories, inspect, adjust or clean tool when it is connected to a power source. Accidental startup can result in serious injury.</p> <p>Failure to observe these warnings could result in severe injury or death.</p>

### SCHEDULE

Use this schedule to maximize the tool's service life.

#### Notes:

*Keep all decals clean and legible. Replace decals when necessary.*

*When disposing of any components (hydraulic hoses, hydraulic fluid, worn parts, etc.), do so in accordance with federal, state and local laws or ordinances.*

#### Daily

1. Wipe all tool surfaces clean.
2. Inspect the entire chain before use. Tension and sharpen the chain as instructed under Saw Chain and Bar Maintenance. An improperly sharpened, dull, worn or damaged chain increases the risk of kickback.
3. Check the operation of the automatic oiler before use as instructed under Checking and Setting the Automatic Chain Oiler. An improperly set oiler can accelerate the wear of the chain and bar.
4. Inspect the hydraulic hoses and fittings for signs of leaks, cracks, wear or damage. Replace if necessary.
5. Install dust caps over the hydraulic ports when the tool is disconnected.

#### Monthly

1. Perform a thorough inspection of the hydraulic hoses and fittings as described in publication 99930323, SAE J1273 (Hose and Hose Assemblies).
2. Perform the Bar Service procedure as described under Saw Chain and Bar Maintenance.
3. Run the saw at full RPM and release the trigger.

Make a note of the time it takes the chain to stop completely (stop time). Compare to the stop times recorded during previous months.

An increasing stop time indicates that the trigger valve components are dirty or worn. Have the tool cleaned or repaired by an Greenlee Authorized Service Center.

#### Annually

If required by your organization, have the tool inspected by an Greenlee Authorized Service Center.

### CHECKING AND SETTING THE AUTOMATIC CHAIN OILER

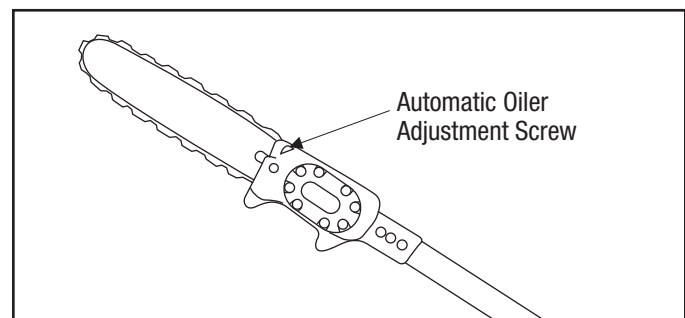
The automatic chain oiler provides a constant supply of oil to lubricate the bar and chain whenever the saw is operating. An adjustment screw controls the amount of oil supplied.

Before adjusting the automatic oiler, clean the oil passage in the base of the guide bar first. Oil dripping off the saw head, sprocket cover or bar indicates that the oil passage is plugged.

1. Run the saw at full rpm.
2. If the tip of the saw gives off a fine spray of oil, the automatic oiler is working properly. If the saw does not give off a spray of oil, adjust the oiler.
 

*Note: For better results, hold saw so that the tip of the saw blade is pointing toward a clean sheet of paper or cardboard and run the saw at full rpm. If the automatic oiler is working properly, the paper or cardboard should soon show small droplets of oil.*
3. Stop the hydraulic power source.
4. Fully tighten the oiler screw until it is seated. Loosen 1/4 turn counterclockwise.

**Automatic Oiler Adjustment Screw**



5. Start the hydraulic power source.
6. Continue to loosen the oiler screw 1/4 turn at a time until the oiler output is adjusted correctly.



## Maintenance (cont'd)

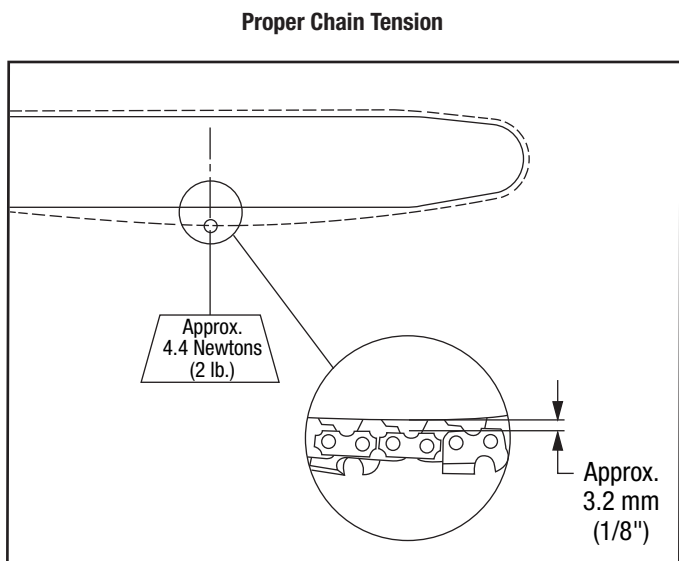
### SAW CHAIN AND BAR MAINTENANCE

#### New Chain Break-In

1. Run the saw at low chain speed without cutting wood for 2 to 3 minutes. Check the output from the automatic oiler.
2. Stop the hydraulic power source. Disconnect the hoses. Allow the bar and chain to cool. Check the tension and adjust if necessary.
3. Connect the hoses. Start the power source. Make a few easy cuts at moderate chain speed.
4. Stop the hydraulic power source. Disconnect the hoses. Allow the bar and chain to cool. Check the tension and adjust if necessary.
5. Connect the hoses. Start the power source. Use the saw for moderate cuts during the next 30 minutes of use.

#### Checking Chain Tension

1. Stop the hydraulic power source. Disconnect the hoses. Allow the bar and chain to cool.
2. Pull the saw chain around the bar. The chain should rotate around the bar easily. If it does not, see Chain is Difficult to Rotate Manually in the Troubleshooting table.
3. Check the tension as follows:  
Pull the saw chain away from the bar (see the illustration) using approximately 4.4 Newtons (2 lb) of force. The clearance between the chain and bar should be approximately 3.2 mm (1/8"). If there is too much or too little clearance, proceed to Adjusting Chain Tension.



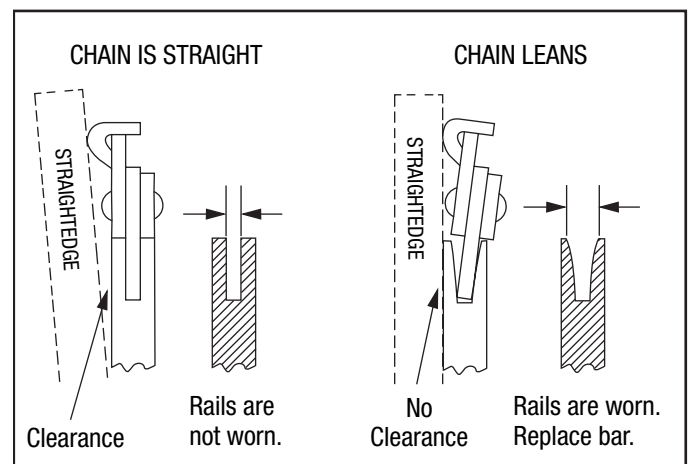
#### Adjusting Chain Tension

1. Loosen the two guide bar mounting screws.
2. Turn the saw chain tension adjusting screw until the proper tension is achieved, as follows:  
Pull the saw chain away from the bar (see the illustration) using approximately 4.4 Newtons (2 lb) of force. The clearance between the chain and bar should be approximately 3.2 mm (1/8").
3. Hold the bar nose up and tighten the two bar flange nuts. Torque to 16.9 Newton-meters (150 in-lb).
4. Check the chain tension again.
5. Rotate the chain around the bar manually. If you hear a clicking noise, the chain drive links are hitting the bar. Repeat the Adjusting Chain Tension procedure.

#### Bar Service

1. Mark the top side of the bar with a grease pencil or marker.
2. Remove the chain and bar. Use a small cleaning brush to remove all residue from the bar groove.
3. Clean the oil passage at the base of the guide bar. Use any instrument small enough to thoroughly clean the passage.
4. Check the bar rails for wear by placing a straight edge against the side of the bar and one cutter.
  - Clearance between the bar and straight edge indicates that the bar rails are not worn.
  - If the chain leans and there is little or no clearance between the bar and straightedge, the bar rails are worn and the bar should be replaced.

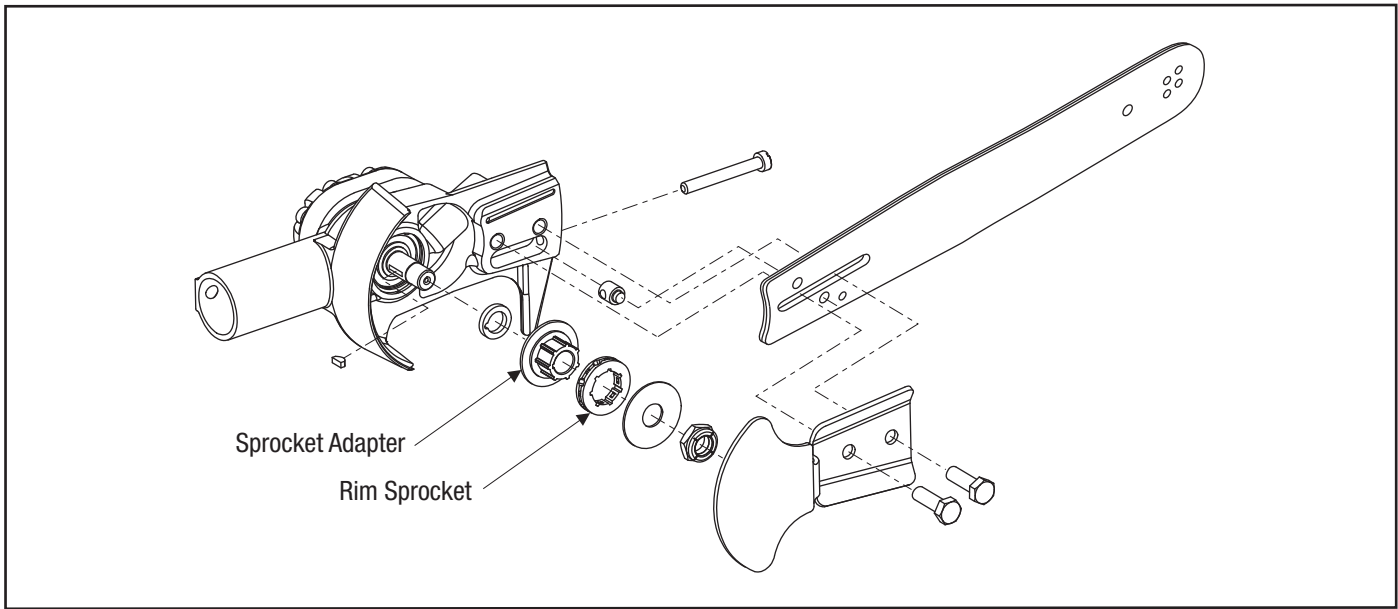
#### Checking Rails for Wear



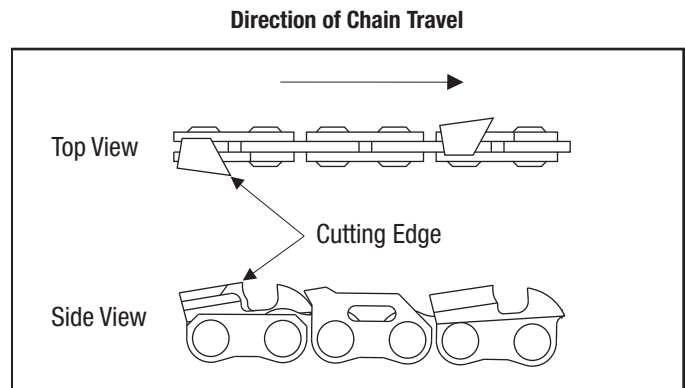
## Maintenance (cont'd)

5. Inspect the rim sprocket and sprocket adapter.  
Replace if worn or damaged.

**Rim Sprocket and Sprocket Adapter**



6. Use the mark made in Step 1 to install the bar upside down, so that the bar will wear evenly.
7. Install the chain as shown. Adjust the tension of the chain as described under Adjusting Chain Tension.



## Maintenance (cont'd)

### SHARPENING THE SAW CHAIN

The saw chain must be sharpened to the manufacturer's specifications. If the saw chain is not properly sharpened, the risk of kickback increases.

If using a filing guide or hand-held grinder, refer to the manufacturer's instructions provided with the unit.

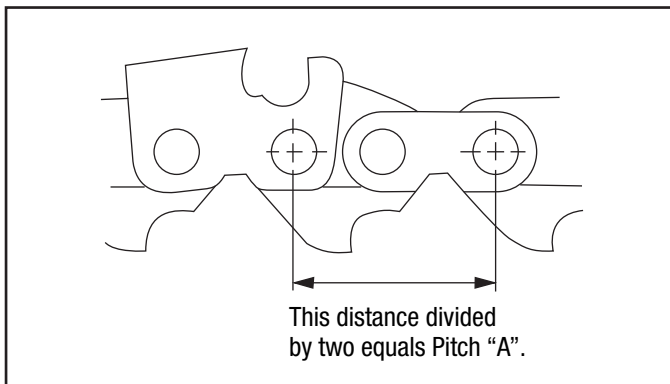
All Long-Reach Chain Saws are equipped with the following chain:

See Illustration:	Figure A	Figure B	Figure C	Figure D	Figure E	—	Figure F	—
	Pitch	Gauge	Side Plate Angle	Top Plate Cutting Angle	Top Plate Filing Angle	File Guide Angle	Depth Gauge Setting	Round File Size
	.325"	.058"	85°	60°	30°	10°	.025"	3/16"

### Saw Chain Pitch

See Figure A. Pitch refers to the saw chain measurement. A chain's pitch is the distance between any three consecutive rivets divided by two. Example: .65 divided by two equals .325 pitch.

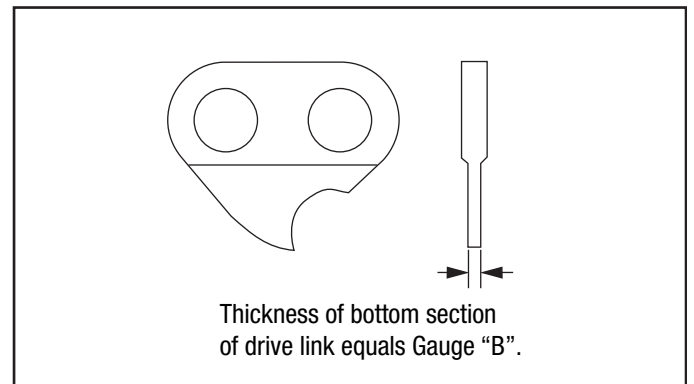
**Figure A**  
Pitch



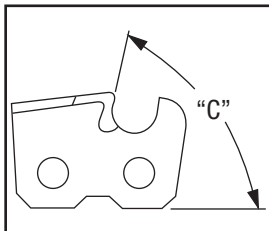
### Saw Chain Gauge

See Figure B. Gauge refers to the thickness of that portion of the drive link which fits into the guide bar groove. The guide bar and saw chain gauge must match. Industry standards are .050, .058 and .063.

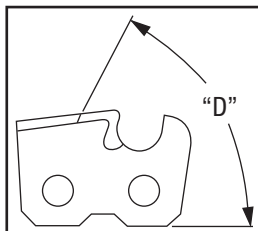
**Figure B**  
Gauge



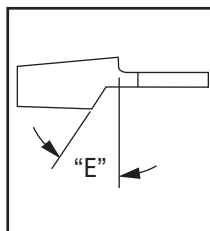
**Figure C**  
Side Plate Angle



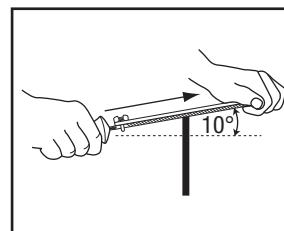
**Figure D**  
Top Plate Cutting Angle



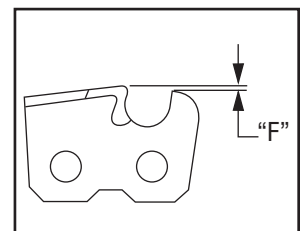
**Figure E**  
Top Plate Filing Angle



**File Guide Angle**



**Figure F**  
Depth Gauge Setting

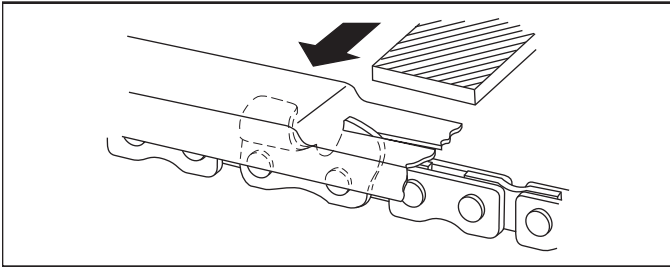


## Maintenance (cont'd)

### Filing Depth Gauges

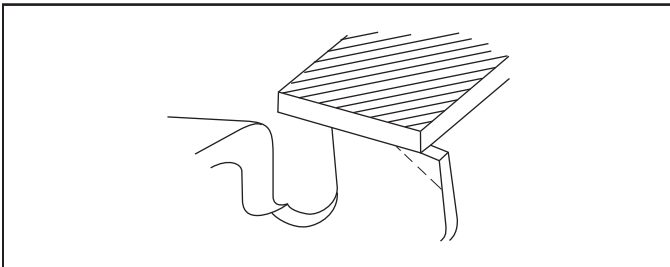
1. If the cutters are sharpened with a file holder, check and lower the depth gauges before sharpening the cutters.
2. Check the depth gauges every third sharpening.
3. Place the depth gauge tool on the cutter. If the depth gauge projects, file it level with the top of the tool. Always file from the inside of the saw chain toward an outside cutter.

#### Lowering Depth Gauges



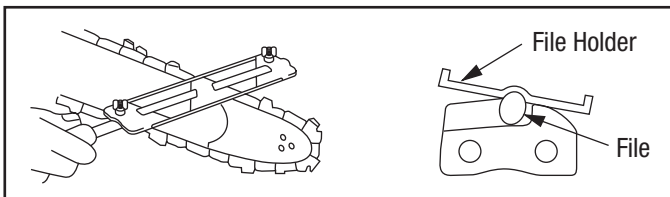
4. Round off the front corner to maintain the original shape of the depth gauge after using the depth gauge tool. Always follow the recommended depth gauge setting of the chain manufacturer. This is important for maximum performance throughout the saw chain's life as well as for protection against kickback.

#### Rounding Off Depth Gauges

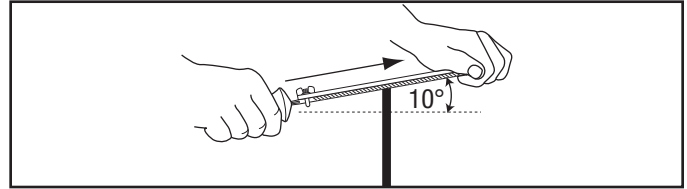


### Filing Cutters – General

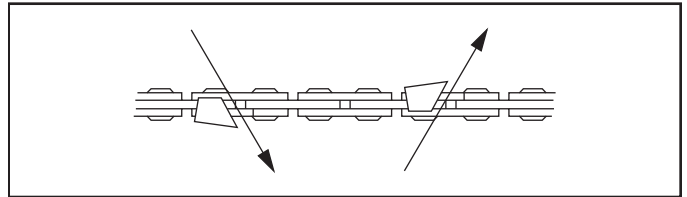
1. Support the file holder on the cutter top plate and depth gauge as shown.



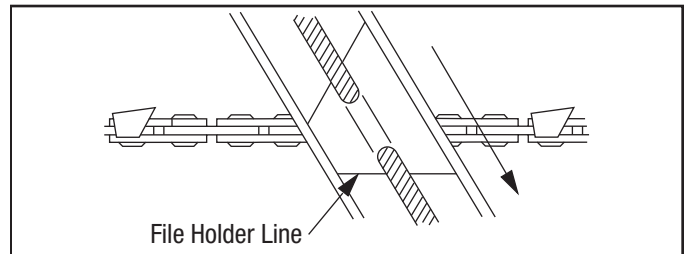
2. Guide the file at a 10° angle to the cutters.



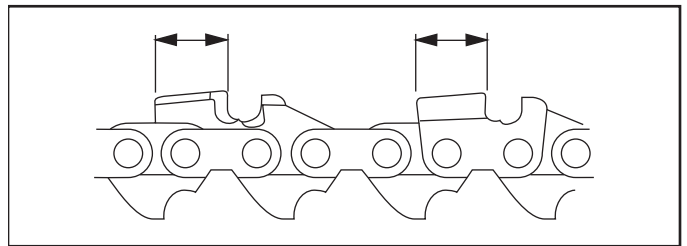
3. File the cutters on one side of the saw chain from the inside out. File on the forward stroke only.



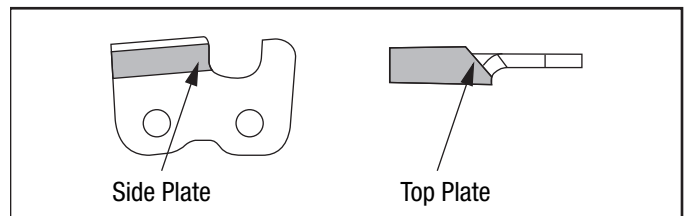
4. Keep the line on the file holder parallel to the center of the saw chain. Reverse the procedure for the other side.



5. Keep all cutters the same length.



6. File enough to remove any damage to the cutting edges (side plate and top plate) of the cutter.



## Troubleshooting

Before troubleshooting, determine whether the problem is in the tool, the hoses, or the power source. Substitute a tool, hoses, or power source known to be in good working order to eliminate the item that is not operating.

If the problem is in the tool, see the troubleshooting table in this manual. If the problem is in the power source, see the troubleshooting section of the power source instruction manual.

<b>Problem</b>	<b>Probable Cause</b>	<b>Probable Remedy</b>
Tool does not operate.	Improper power source.	Verify that the power source meets the specifications. See the Specifications section.
	Hydraulic fluid level low.	Check the fluid level. Check system for leaks.
	Incorrect hydraulic fluid viscosity.	Use hydraulic fluid with the correct viscosity. See the Specifications section.
Tool operates slowly or erratically.	Hydraulic fluid cold.	Allow fluid to warm to the operating temperature. Actuate the tool intermittently to reduce the warming time.
	Power source not adjusted correctly.	Refer to the power source operator's manual. Set the flow and pressure to correspond with the tool.
	Hydraulic fluid level low.	Check the fluid level. Check system for leaks.
	Air in the hydraulic system.	See power source manufacturer's instructions for removing air from the system.
	Incorrect hydraulic fluid viscosity.	Use hydraulic fluid with the correct viscosity. See the Specifications section.
Trigger difficult to operate; trigger sticks when released.	Dirt or gummy deposits on trigger or spool.	Clean and lubricate trigger and trigger spool.
Chain runs in wrong direction.	Hose connections at tool are reversed.	Depressurize hydraulic system. Switch the hose connections.

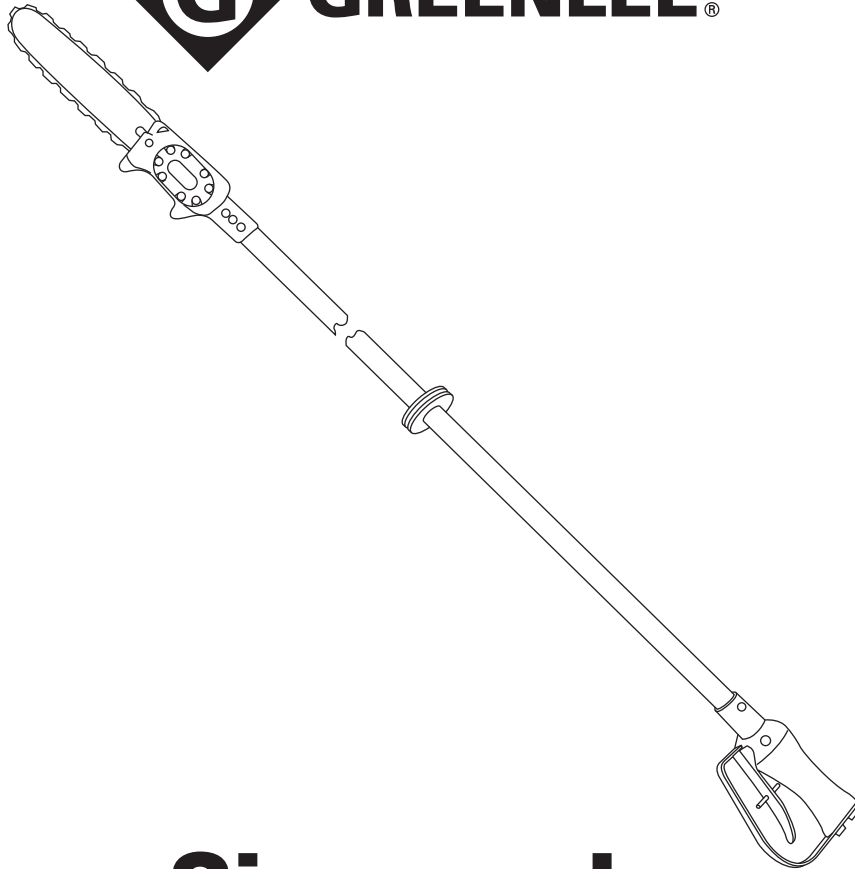
## Troubleshooting (cont'd)

<b>Problem</b>	<b>Probable Cause</b>	<b>Probable Remedy</b>
Chain does not cut.	Chain dull.	Remove chain and sharpen to chain manufacturer's specifications or replace with a sharp chain.
	Too much tension on the chain.	Adjust chain tension. See Saw Chain and Bar Maintenance.
	Automatic oiler not lubricating chain and bar.	See Checking and Setting the Automatic Chain Oiler.
	Chain installed backward.	Remove chain and install correctly.
	Guide bar worn.	Inspect guide bar rails for wear. See Saw Chain and Bar Maintenance. If excessively worn, replace guide bar.
Tool feels hot.	Hydraulic fluid level low.	Check the fluid level. Check system for leaks.
	Incorrect hydraulic fluid viscosity.	Use hydraulic fluid with the correct viscosity. See the Specifications section.
	Hydraulic fluid dirty.	See the power source owner's manual for procedure to replace hydraulic oil and filter.
Chain is difficult to rotate manually.	Hydraulic pressure trapped in saw motor.	Release hydraulic pressure by using proper hose disconnection procedure. See Hose Connections in this manual.
	Chain and bar improperly adjusted.	See Adjusting Chain Tension under Saw Chain and Bar Maintenance in this manual.
	Chain drive links damaged.	Remove chain and inspect drive links.
	Bar groove damaged.	Remove chain and inspect bar groove.

# MANUAL DE INSTRUCCIONES



**GREENLEE®**



## **Sierras de Cadena de Largo Alcance Rellenado con espuma LRF 75 y 88**

**Códigos de serie AMT, AMS, GLZ, GLY, HAD y HAE**



**Lea y entienda** todas las instrucciones y la información sobre seguridad que aparecen en este manual, antes de manejar esta herramienta o darle mantenimiento.

Registre este producto en [www.greenlee.com](http://www.greenlee.com)

## Índice

Descripción .....	24
Acerca de la seguridad.....	24
Propósito de este manual .....	24
Otras publicaciones .....	24
Importante Información sobre Seguridad .....	25-28
Identificación .....	29
Especificaciones .....	30-31
Aspectos básicos sobre la Sierra de cadena.....	32-34
Montaje del Super Spool.....	35
Mangueras y accesorios .....	35
Conexión de las mangueras.....	35
Modelo de instalación .....	35
Operación.....	36-37
Mantenimiento.....	38-42
Diagnóstico y solución de fallas.....	43-44
Servicio	
Desmontaje.....	111
Montaje.....	112-113
Ilustraciones .....	114-118
Lista de piezas .....	119-120

## Descripción

Las Sierras de cadena de largo alcance son herramientas accionadas hidráulicamente, diseñadas para podar árboles desde el terreno o desde un dispositivo aéreo.

El diseño patentado del Super Spool™ de Greenlee permite utilizar la herramienta en sistemas hidráulicos tanto de circuito abierto como de circuito cerrado. Las propiedades dieléctricas del poste de fibra de vidrio reducen los riesgos de cortocircuito cuando se utiliza la sierra cerca de líneas eléctricas energizadas. Otras de las ventajas y beneficios incluyen cadena antireculadas, protección de rueda dentada completamente cubierta, manguito de seguridad de paro manual, gatillo de enclavamiento y protección del gatillo.

Super Spool está protegido por la patente estadounidense No. 4,548,229.

## Acerca de la seguridad

Es fundamental observar métodos seguros al utilizar y dar mantenimiento a las herramientas y equipo Greenlee. Este manual de instrucciones y todas las marcas que ostenta la herramienta le ofrecen la información necesaria para evitar riesgos y hábitos poco seguros relacionados con su uso. Siga toda la información sobre seguridad que se proporciona.

## Propósito de este manual

Este manual tiene como propósito familiarizar a todo el personal con los procedimientos de operación segura, especificaciones y piezas, y mantenimiento para las siguientes herramientas hidráulicas Greenlee:

52020556    LRF 75    Códigos de serie  
                  AMT, GLZ y HAE

52020558    LRF 88    Códigos de serie  
                  AMS, GLY y HAD

Manténgalo siempre al alcance de todo el personal.

Puede obtener copias adicionales de manera gratuita, previa solicitud.

## Otras publicaciones

### Para propietarios o usuarios

Norma SAE J1273 (Manguera y conjuntos de mangueras):

Publicación 99930323

Todas las especificaciones son nominales y pueden cambiar conforme tengan lugar mejoras de diseño. Greenlee Tools, Inc. no se hace responsable de los daños que puedan surgir de la mala aplicación o mal uso de sus productos.

# CONSERVE ESTE MANUAL



## IMPORTANTE INFORMACIÓN SOBRE SEGURIDAD



### SÍMBOLO DE ALERTA SOBRE SEGURIDAD

Este símbolo se utiliza para indicar un riesgo o práctica poco segura que podría ocasionar lesiones o daños materiales. Cada uno de los siguientes términos denota la gravedad del riesgo. El mensaje que sigue a dichos términos le indica cómo puede evitar o prevenir dicho riesgo.

#### ⚠ PELIGRO

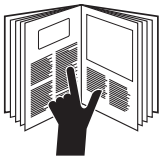
Peligros inmediatos que, de no evitarse, OCASIONARÁN graves lesiones o incluso la muerte.

#### ⚠ ADVERTENCIA

Peligros que, de no evitarse, PODRÍAN OCASIONAR graves lesiones o incluso la muerte.

#### ⚠ ATENCIÓN

Peligro o prácticas peligrosas que, de no evitarse, PUEDEN OCASIONAR lesiones o daños materiales.



#### ⚠ ADVERTENCIA

Lea y entienda todas las instrucciones y la información sobre seguridad que aparecen en este manual, antes de manejar esta herramienta o darle mantenimiento.

De no observarse esta advertencia podrían sufrirse graves lesiones o incluso la muerte.

#### ⚠ ADVERTENCIA

Peligro de electrocución:

- Esta herramienta fue probada para cumplir con la norma OSHA 1910.269 (prueba en seco) al momento de su fabricación. Debe limpiarse y mantenerse correctamente para conservar sus propiedades no conductivas permanentes. Cuando utilice esta unidad cerca de líneas eléctricas energizadas, utilice únicamente mangueras no conductivas aprobadas y equipo de protección personal adecuado.
- Mantenga la extensión de fibra de vidrio limpia y seca cuando trabaje cerca de líneas eléctricas energizadas. La acumulación de aceite o polvo reduce las propiedades de aislamiento de la herramienta.
- Cuando utilice esta herramienta cerca de líneas eléctricas energizadas, observe las instrucciones incluidas en el DIN EN 50110-1. Las secciones de mayor importancia sobre esta norma aparecen en la sección Operación de este manual.

De no observarse estas advertencias podrían sufrirse graves lesiones o incluso la muerte.



#### ⚠ ADVERTENCIA


Peligro de inyección cutánea:


- No use las manos para localizar fugas.
- No toque la manguera ni los acopladores mientras el sistema hidráulico se encuentre presurizado.
- Purgue la presión en el sistema hidráulico antes de darle mantenimiento.

El aceite bajo presión punza la piel fácilmente provocando graves lesiones, gangrena o la muerte. Si se lesiona debido a una fuga de aceite, solicite atención médica de inmediato.



## IMPORTANTE INFORMACIÓN SOBRE SEGURIDAD


	<b>⚠️ ADVERTENCIA</b>
	<p>Antes de operar la sierra, lea y entienda las siguientes explicaciones que aparecen en el manual:</p> <ul style="list-style-type: none"> <li>• Enganche El enganche puede ocurrir cuando la cuchilla en la parte inferior de la barra hace contacto con un objeto extraño, por ejemplo un clavo, o cuando la cuchilla queda indentada en el corte.</li> <li>• Empuje El empuje puede ocurrir cuando la cuchilla en la parte superior de la barra hace contacto con un objeto extraño, por ejemplo un clavo, o cuando la cuchilla queda indentada en el corte.</li> <li>• Reculada La reculada puede ocurrir cuando la cadena en la punta de la barra guía hace contacto con cualquier objeto. La barra de la sierra se desplazará hacia arriba y hacia atrás en dirección del operador.</li> </ul> <p>De no observarse esta advertencia podrían sufrirse graves lesiones o incluso la muerte.</p>


	<b>⚠️ ADVERTENCIA</b>
	<p>Lleve siempre puesto un casco protector cuando utilice esta herramienta.</p> <p>De no observarse esta advertencia podrían sufrirse graves lesiones o incluso la muerte.</p>

	<b>⚠️ ADVERTENCIA</b>
	<p>Utilice protectores para ojos al manejar o darle mantenimiento a esta herramienta.</p> <p>De no utilizar protectores para ojos podría sufrir graves lesiones oculares ocasionadas si el aceite para aparatos hidráulicos, o restos de materiales llegan a saltar.</p>

	<b>⚠️ ADVERTENCIA</b>
	<p>Al manejar esta herramienta utilice protectores para oídos.</p> <p>La exposición continua a altos niveles de ruido podría resultar en pérdida de la audición.</p>

	<b>⚠️ ADVERTENCIA</b>
	<p>Al manejar esta herramienta utilice calzado protector.</p> <p>De no observarse esta advertencia podrían sufrirse graves lesiones.</p>

	<b>⚠️ ADVERTENCIA</b>
	<p>Al cortarlos, algunos tipos de madera pueden producir polvo nocivo. Utilice una máscara contra el polvo para evitar respirar polvo nocivo.</p> <p>De no observarse esta advertencia podría experimentarse dificultad temporal para respirar o sufrirse graves lesiones.</p>

	<b>⚠️ ADVERTENCIA</b>
	<p>Utilice guantes protectores al manejar esta herramienta.</p> <p>De no observarse esta advertencia podrían sufrirse graves lesiones.</p>

## IMPORTANTE INFORMACIÓN SOBRE SEGURIDAD

### ⚠️ ADVERTENCIA

- No cambie accesorios ni inspeccione, ajuste o limpie la herramienta o afile la cadena mientras esté conectada a una fuente de energía. El arranque accidental podría ocasionar graves lesiones.
- Mantenga las empuñaduras limpias, secas y libres de fluido para aparatos hidráulicos.
- Siempre sostenga firmemente la herramienta con ambas manos y con los dedos, incluyendo los pulgares, rodeando las empuñaduras. Si pierde el control de la unidad podría ocasionar graves lesiones.
- No trabe el gatillo en la posición "Power-ON". El operador no podrá detener la herramienta si se encuentra trabada en dicha posición.
- No retire ni modifique el gatillo de seguridad de la herramienta. El arranque accidental podría ocasionar graves lesiones.
- Utilice guantes protectores al manipular o ajustar la cadena. La cadena puede cortar incluso cuando no está en movimiento.

De no observarse estas advertencias podrían sufrirse graves lesiones o incluso la muerte.

### ⚠️ ADVERTENCIA



El cuerpo, la barra, la cuchilla y otros componentes de la sierra estarán calientes durante y después de su uso. Sea precavido al manejar la sierra ya que podría quemarse gravemente.

De no observarse esta advertencia podrían sufrirse graves lesiones o incluso la muerte.

### ⚠️ ADVERTENCIA

Para transportar la sierra de cadena:

- Espere hasta que la cadena termine de girar.
- Espere hasta que la cadena se enfríe.
- Utilice una funda o envoltura para barra guía apropiada.
- Transporte la sierra con la barra guía orientada hacia atrás.

De no observarse estas advertencias podrían sufrirse graves lesiones o incluso la muerte.

### ⚠️ ADVERTENCIA

No desconecte la herramienta, ni las mangueras o accesorios mientras la fuente de energía esté encendida o el líquido hidráulico esté caliente. El líquido hidráulico caliente podría ocasionar quemaduras graves.

### ⚠️ ADVERTENCIA

No invierta el gasto hidráulico. Operar la herramienta con el gasto invertido ocasionará un funcionamiento inadecuado. Conecte la manguera de presión y la manguera del tanque en los orificios correspondientes.

### ⚠️ ATENCIÓN

- Utilice esta herramienta únicamente para podar o recortar árboles. Cualquier otro uso podría ocasionar lesiones o daños materiales.
- Revise la herramienta antes de utilizarla. Reemplace cualquier pieza gastada, dañada o que falte. Una herramienta dañada o montada de manera incorrecta tendrá un funcionamiento errático y puede lesionar al personal que se encuentre en el área.
- Revise minuciosamente las mangueras hidráulicas y los acoplamientos cada vez que vaya a utilizar la herramienta. Repárela o reemplácela si presenta fugas, grietas, desgaste o daños evidentes. Las mangueras y acoplamientos averiados pueden fallar y ocasionar lesiones o daños materiales.
- Asegúrese de que no haya circunstancias o personal innecesario en el área de trabajo al operar la herramienta, ya que podrían sufrir lesiones ocasionadas si algún resto de material saliera disparado.

De no observarse estas precauciones podrían sufrirse graves lesiones o daños materiales.

## **IMPORTANTE INFORMACIÓN SOBRE SEGURIDAD**

### **⚠ ATENCIÓN**

El aceite para aparatos hidráulicos puede causar irritación dérmica.

- Maneje la herramienta y las mangueras con cuidado para evitar que el aceite para aparatos hidráulicos entre en contacto con la piel.
- En caso de un contacto accidental, lávese de inmediato el área afectada a fin de eliminar el aceite.

De no observarse estas advertencias podrían sufrirse lesiones.

### **⚠ ATENCIÓN**

Riesgo de vibraciones:

Aplique únicamente la presión necesaria para realizar el trabajo; si se ejerce una presión excesiva sobre la herramienta, el operador experimentará incomodidad o entumecimiento temporal.

De no observarse esta advertencia podrían sufrirse lesiones.

### **IMPORTANTE**

- Revise el funcionamiento del engrasador automático periódicamente. Consulte Revisión y Ajuste del Engrasador Automático de la Cadena en este manual.
- Revise la cadena periódicamente para verificar que la tensión y el filo sean adecuados. Aumente la tensión y afile según sea necesario.
- Consulte las instrucciones que aparecen en Mantenimiento de la Cadena de la Sierra y la Barra Revise periódicamente el nivel del líquido del depósito de la fuente de energía. El engrasador automático utiliza líquido para aparatos hidráulicos para lubricar la barra y la cadena, y ocasionará que el nivel de líquido disminuya.

### **IMPORTANTE**

Procedimiento para desconectar las mangueras, accesorios o demás componentes hidráulicos:

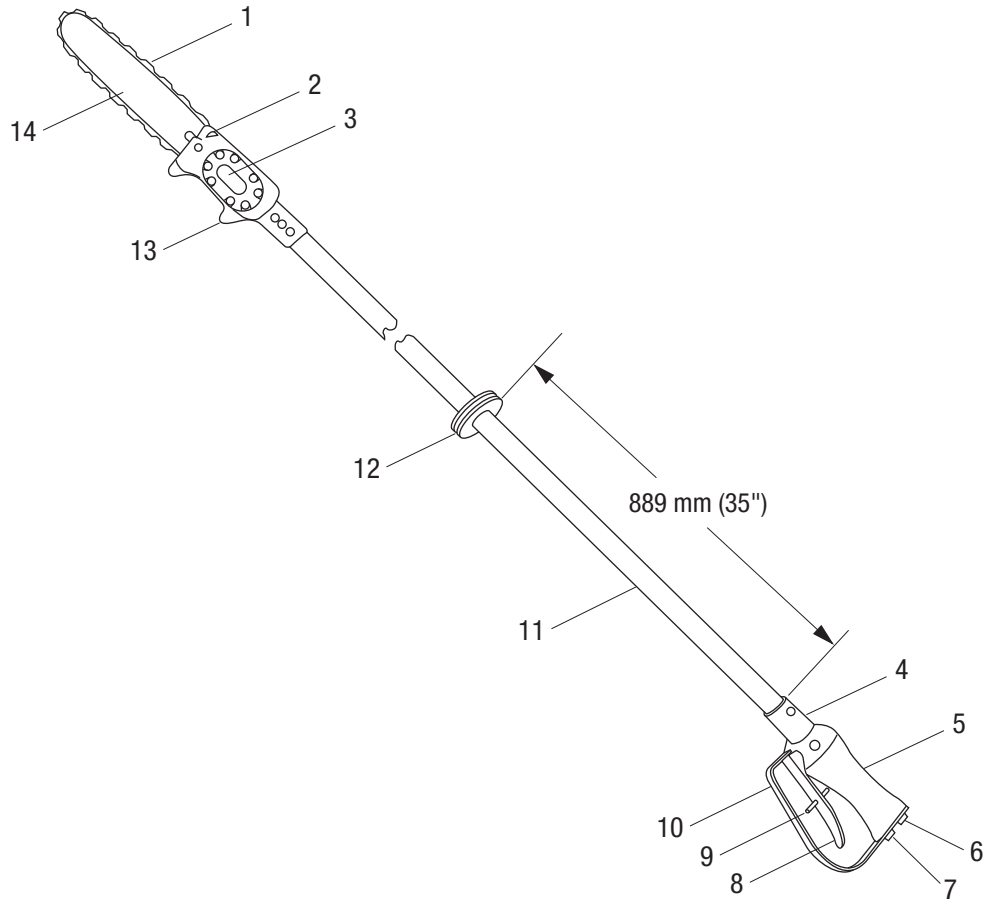
1. Coloque la palanca de gasto –ubicada en la fuente de potencia hidráulica– en la posición de apagado (OFF).
2. Apague la fuente de potencia.
3. Siga la secuencia detallada en “Desconexión de las mangueras” a fin de evitar la acumulación de presión. En caso de que esto ocurra, afloje lentamente las mangueras, los accesorios o los componentes.

### **IMPORTANTE**

Procedimiento de apagado de emergencia:

1. Suelte el gatillo.
2. Apague la fuente de potencia hidráulica.

*Nota: Mantenga las etiquetas de advertencia limpias y legibles. Reemplace las etiquetas según sea necesario.*

**Identificación****Sierras de cadena de largo alcance**

- |                                   |   |
|-----------------------------------|---|
| 1. Cadena de la sierra            | 9. Enganche de Enclavamiento del Gatillo  |
| 2. Engrasador automático          | 10. Protección o Correa del Gatillo       |
| 3. Motor de engranajes hidráulico | 11. Conjunto del tubo, relleno con espuma |
| 4. Número de serie                | 12. Paro manual                           |
| 5. Empuñadura                     | 13. Cabezal de la sierra                  |
| 6. Orificio de retorno            | 14. Barra guía                            |
| 7. Orificio de presión            |   |
| 8. Gatillo                        |   |

## Especificaciones

### Sierra de Cadena de Largo Alcance

Tipo de sistema hidráulico ..... Circuito abierto/  
circuito cerrado

#### Orificios hidráulicos

Presión ..... Anillo O SAE Boss, 9/16–18

Retorno ..... Anillo O SAE Boss, 3/4–16

Capacidad de corte.....330 mm

Velocidad de cadena a 30 l/min ..... 1.280 m/min

Nivel de potencia acústica ..... 106 LWA

Vibración .....4,88 m/s<sup>2</sup>

#### Masa/peso

52020556 ..... 4,06 kg (9,03 lb)

52020558 ..... 4,21 kg (9,36 lb)

#### Largo

52020556 ..... 1890 mm

52020558 .....2200 mm

Ancho (en el motor) .....108 mm

Profundidad del armazón (en la empuñadura) ....152 mm

### Cadena de Sierra

## **ADVERTENCIA**

Cuando sea necesario reemplazarla, seleccione una sierra de cadena que:

- cumpla con las especificaciones de los códigos de seguridad industriales aplicables
- tenga una capacidad nominal de 1.280 m/min

De no observarse esta advertencia podrían sufrirse graves lesiones o incluso la muerte.

Ángulo de los dientes .....8,26 mm

Calibre .....1,47 mm

## Especificaciones (continuación)

### Fuente de potencia hidráulica

#### **⚠ ADVERTENCIA**

No exceda los máximos a continuación para la fuente de potencia hidráulica:

- Gasto hidráulico: 30,3 l/min
- Ajuste de la presión de seguridad: 138 bar
- Contrapresión: 13,8 bar

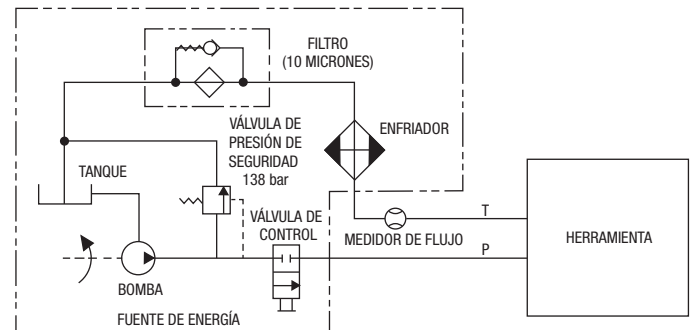
De no observarse esta advertencia podrían sufrirse graves lesiones o incluso la muerte.

Tipo de sistema hidráulico .....	Circuito abierto/ circuito cerrado
Gasto	
Mínimo .....	18,9 l/min
Recomendado.....	22,7 l/min
Máximo .....	30,3 l/min
Filtración.....	10 micrones (régimen)
Ajuste de la presión de seguridad.....	138 bar
Contrapresión (máxima)* .....	13,8 bar

\* 13,8 bar es la contrapresión máxima acordada bajo las normas de la HTMA (Hydraulic Tool Manufacturers Association o Asociación de Fabricantes de Herramientas Hidráulicas). La herramienta Greenlee funcionará de manera satisfactoria según estas normas.

1. La temperatura máxima del líquido para herramientas hidráulicas no debe exceder 60°C. Es indispensable contar con suficiente capacidad de enfriamiento del aceite, a fin de controlar la temperatura del líquido para herramientas hidráulicas.
2. El gasto hidráulico no debe exceder 30,3 l/min. Instale un medidor de gasto en la línea de retorno para medir la velocidad del gasto hidráulico antes de utilizar la herramienta.
3. El ajuste de la válvula de presión de seguridad no debe sobrepasar 138 bar al gasto máximo de su herramienta. Localice la válvula de presión de seguridad en el circuito de suministro para limitar un exceso de presión hidráulica a la herramienta.

### Diagrama hidráulico



### Líquidos recomendados para aparatos hidráulicos

Utilice un líquido para aparatos hidráulicos, sin detergente, con base de petróleo y que cumpla con las siguientes especificaciones de la HTMA.

S.U.S. @:

38°C ..... 140 a 225

99°C ..... 40 mínimo

Punto de inflamación..... 170°C mínimo

Punto de temperatura de descongelación... -34°C mínimo



## Aspectos Básicos sobre la Sierra de cadena

Esta sección introduce algunos principios básicos sobre el uso de la sierra de cadena: Prevención contra peligros, Compresión y Tensión.

### PREVENCIÓN CONTRA PELIGROS

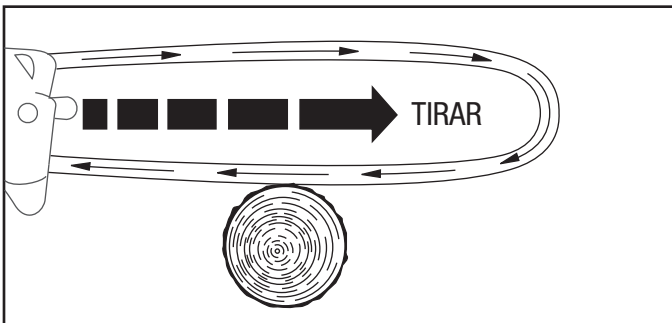
La acción de corte de esta sierra de cadena es producida por una cuchilla tipo cadena, accionada a gran velocidad por un poderoso motor hidráulico. Cuando se utiliza debidamente y con cuidado, la sierra de cadena constituye una herramienta de corte sumamente eficaz.

Cuando se utiliza incorrectamente, o cuando algún objeto interfiere con el giro normal de la cuchilla, el operador puede perder control de la sierra de manera repentina y rápida. Dicha pérdida de control puede ocasionarle daños al operador. Los tres términos que describen la pérdida de control son enganche, empuje y reculada.

### Enganche

El engancho ocurre cuando la cuchilla en la parte inferior de la barra es la que realiza el corte. Si la cuchilla queda repentinamente indentada en el corte, o si entra en contacto con un objeto extraño, por ejemplo un clavo, la sierra será arrebatada del operador de manera repentina y brusca.

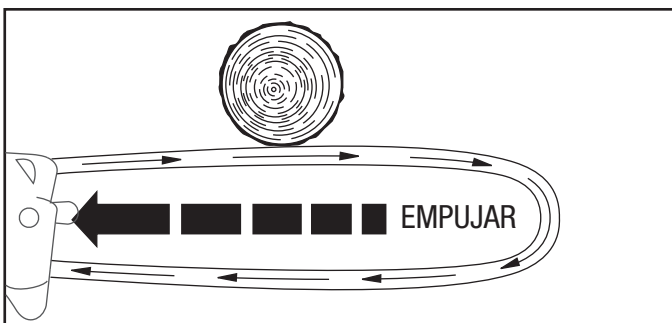
Enganche



### Empuje

El empuje ocurre cuando la cuchilla en la parte superior de la barra es la que realiza el corte. Si la cuchilla queda repentinamente indentada en el corte, o si entra en contacto con un objeto extraño, por ejemplo un clavo, la sierra será lanzada en dirección del operador de manera repentina y brusca.

Empuje



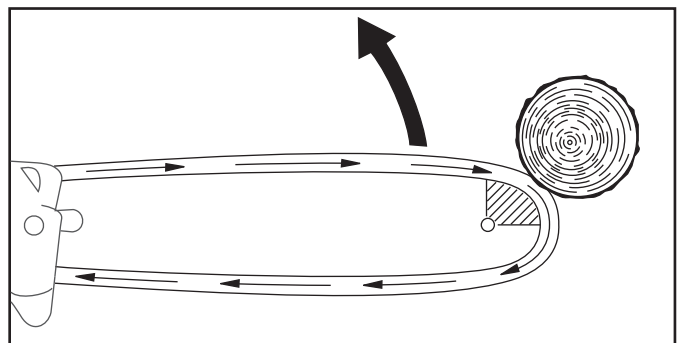
### Reculada

La reculada es una situación mucho más peligrosa que el engancho o el empuje. Cuando ocurre una reculada, la sierra en su totalidad puede girar de manera repentina y brusca. La barra de la sierra podría desplazarse rápidamente hacia arriba y hacia atrás en dirección del operador.

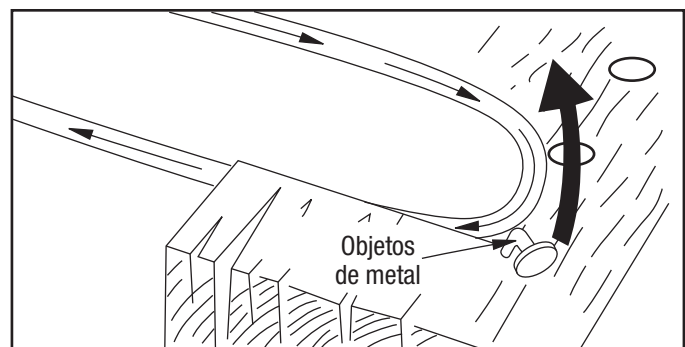
La reculada puede ocurrir cuando la cuchilla en la punta de la barra guía hace contacto con cualquier objeto mientras la sierra se encuentra girando. Algunas situaciones que ocasionan una reculada son:

- uso de la punta de la barra guía para realizar el corte.
- contacto con un clavo u otro objeto de metal mientras se realiza el corte.
- contacto accidental cuando se cortan más de una rama a la misma vez.

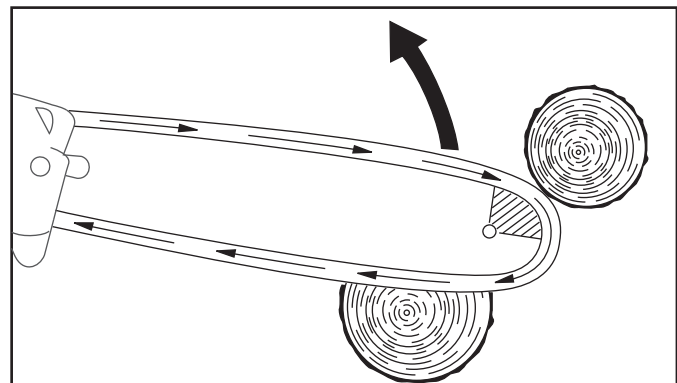
### Utilización de la Punta de la Barra Guía para Realizar Cortes



### Contacto con objetos de metal



### Corte de más de una rama a la misma vez





## Aspectos Básicos sobre la Sierra de Cadena (continuación)

### Cómo evitar el enganche, el empuje y la reculada

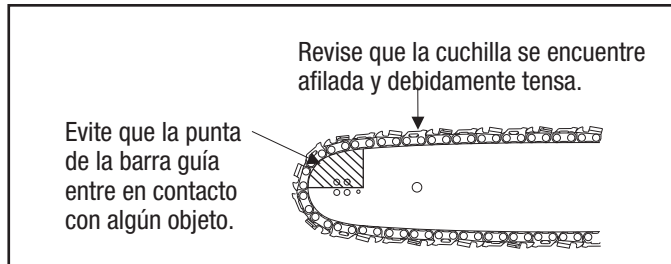
Tanto la combinación de cadena y barra como el refuerzo tienen el propósito de evitar o reducir la probabilidad y la intensidad que puede ocasionar la reculada. Compruebe que estos artículos se encuentren dispuestos para realizar el trabajo (que la cadena se encuentre afilada y debidamente tensa, que el refuerzo no esté dañado, etc.) a fin de obtener el mayor beneficio de estas características. Si estos artículos se encuentran gastados o dañados, sustitúyalos con piezas de repuesto de Greenlee.

#### Consejos generales:

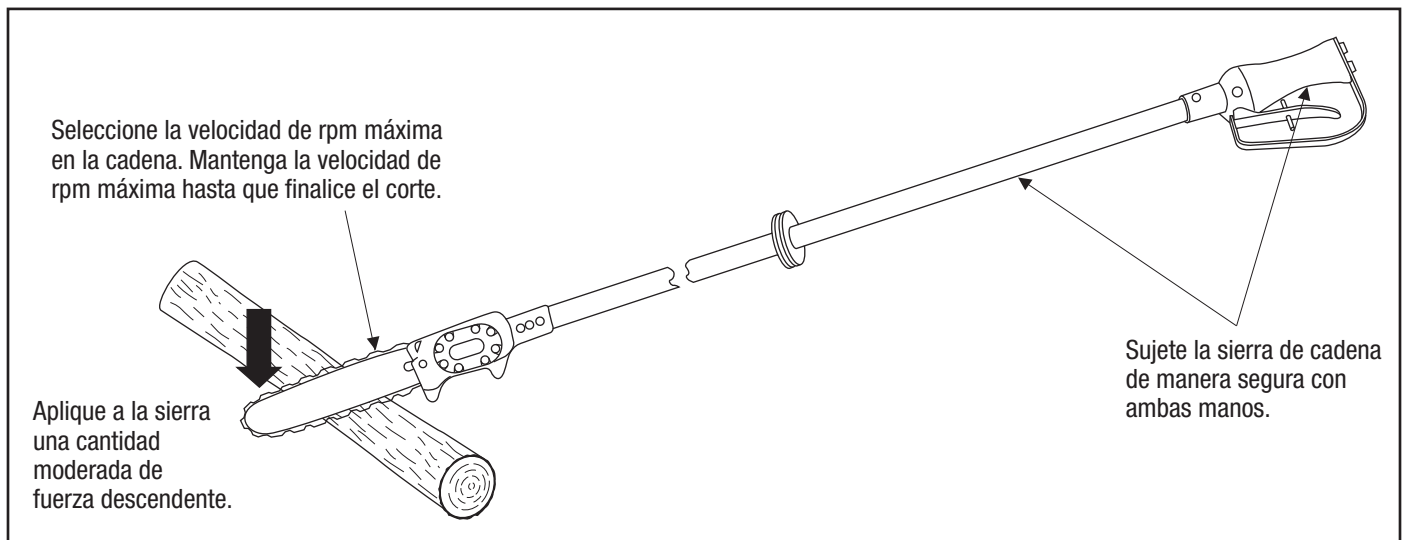
- Realice el mantenimiento adecuado de la sierra. Revise que la cuchilla se encuentre afilada y debidamente tensa.
- Evite que la punta de la barra guía entre en contacto con algún objeto.
- No trate de alcanzar demasiado lejos.
- No utilice la herramienta en una posición más alta que la altura del hombro.
- Corte una rama o tronco a la vez.
- Recuerde que las ramas de diámetro pequeño tienen mayores posibilidades de atrapar la cuchilla y ocasionar una situación de enganche o reculada.

### Procedimiento de corte:

- Sujete la sierra de cadena de manera segura con ambas manos y sosténgala firmemente.
- Antes de iniciar el corte, seleccione la velocidad de rpm máxima en la sierra de cadena. Mantenga la velocidad de rpm máxima hasta que finalice completamente el corte.
- Aplique a la sierra una cantidad moderada de fuerza descendente.
- Corte en forma recta. No gire la sierra durante el corte.
- Tenga cuidado si la rama se mueve, pues esto podría indentar la sierra en el corte.
- Tenga cuidado si una rama bajo tensión salta cuando se finaliza el corte y se libera la tensión.



### Procedimiento de corte



## Aspectos Básicos sobre la Sierra de Cadena (continuación)

### Consejos para la preparación del área

- Prepare el área de corte despejando el terreno de matorrales, ramas, enredaderas, etc.
- Retire todas las herramientas que no vaya a utilizar y enrosque el exceso de la manguera hidráulica.
- Revise las ramas para prever la dirección o la trayectoria de la caída. Asegúrese que nadie se encuentre en dicha área.
- Si está trabajando en un área municipal, proyecte la dirección de la caída de manera que la rama no caiga en la carretera, sobre un edificio, haga contacto con líneas de energía, etc.
- Si el árbol se encuentra en una pendiente, trabaje cuesta arriba desde la trayectoria de la caída. La rama podría rebotar o rodar cuesta abajo.

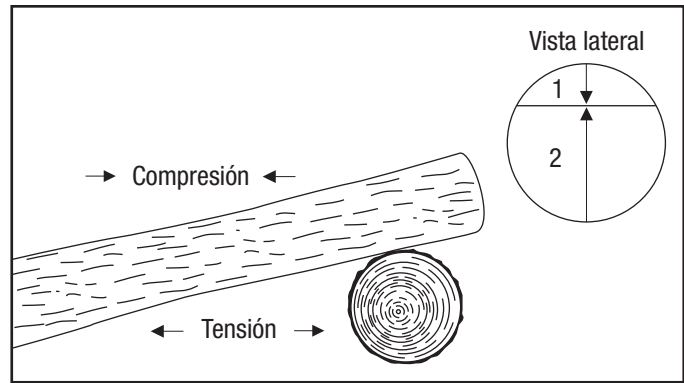
### COMPRESIÓN Y TENSION

Las ramas y los troncos son accionados por dos fuerzas: compresión y tensión. Cuando se corta una rama o un tronco, la compresión tiende a empujar ambas mitades la una contra la otra. La tensión tiende a separar ambas mitades tirando de cada una.

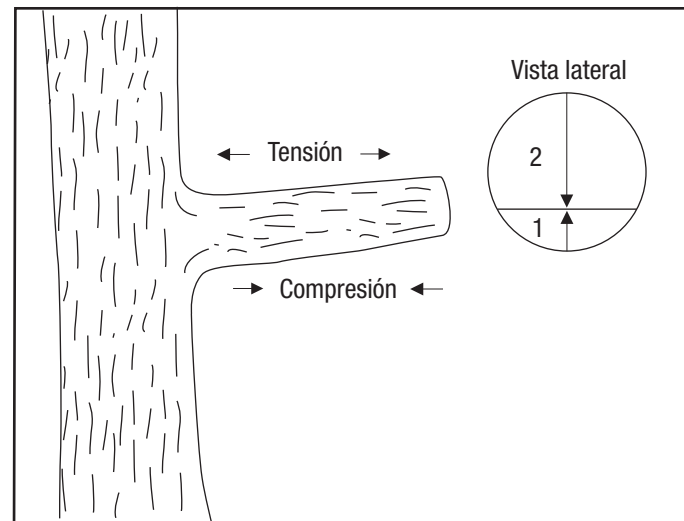
Vea las ilustraciones. La rama o el tronco apoyado en ambos extremos mantiene la compresión en la parte superior. La rama o el tronco apoyado en un extremo mantiene la compresión en la parte inferior.

Realice el primer corte en el lado de la compresión. Corte aproximadamente 1/3 del diámetro del tronco. Realice el segundo corte en el lado de la tensión. Esto disminuirá la posibilidad de que la sierra quede indentada en el corte.

Compresión en la parte superior



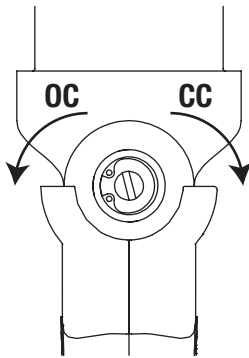
Compresión en la parte inferior



## Montaje del Super Spool™

El Super Spool permite que la herramienta pueda utilizarse tanto en sistemas hidráulicos de circuito abierto como de circuito cerrado.

1. Introduzca un destornillador en la ranura de la bobina.
2. Si está utilizando:
  - un sistema hidráulico de circuito abierto, gire el Super Spool en sentido contrario a las manillas del reloj hasta que tope.
  - un sistema hidráulico de circuito cerrado, gire el Super Spool en el sentido de las manillas del reloj hasta que tope.



## Mangueras y accesorios

### Instalación y mantenimiento

Consulte la publicación 99930323, SAE J1273 (Manguera y conjuntos de mangueras).

### Reemplazo

Consulte el catálogo Greenlee o la publicación Greenlee 99910322, "Mangueras, adaptadores y acopladores de montaje rápido para presión baja".

## Conexión de las mangueras

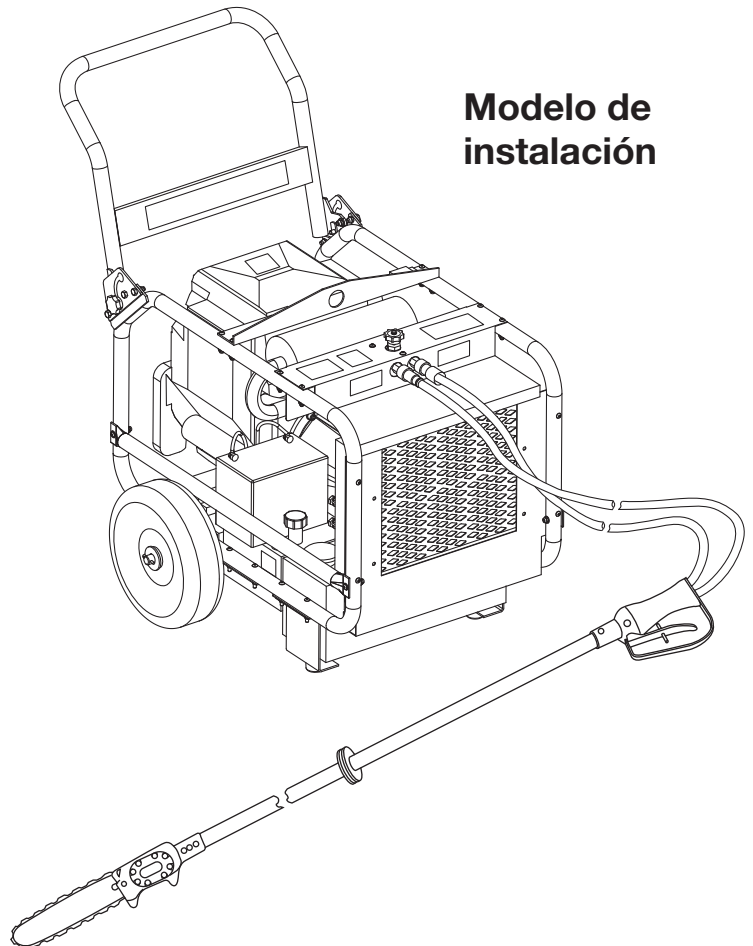
### Conexión de las mangueras

1. Coloque la palanca de gasto –ubicada en la fuente de potencia hidráulica– en la posición de apagado (OFF).
2. Apague la fuente de potencia hidráulica.
3. Conecte la manguera del tanque al orificio del tanque (o de retorno) –ubicado en la fuente de potencia– y enseguida, al orificio del tanque ubicado en la herramienta.
4. Conecte la manguera de presión al orificio de presión o al acoplador de manguera –ubicado en la herramienta– y enseguida, al orificio de presión ubicado en la fuente de potencia.

### Desconexión de las mangueras

1. Coloque la palanca de gasto –ubicada en la fuente de potencia hidráulica– en la posición de apagado (OFF).
2. Apague la fuente de potencia hidráulica.
3. Desconecte primero la manguera de presión de la fuente de potencia y enseguida, de la herramienta.
4. Desconecte primero la manguera del tanque de la herramienta, y enseguida, de la fuente de potencia.
5. Coloque las tapas guardapolvos sobre los orificios para evitar que estos se contaminen.


## Modelo de instalación





## Operación

	<h3>⚠️ ADVERTENCIA</h3>
	<p>Peligro de electrocución:</p> <ul style="list-style-type: none"> <li>Esta herramienta fue probada para cumplir con la norma OSHA 1910.269 (prueba en seco) al momento de su fabricación. Debe limpiarse y mantenerse correctamente para conservar sus propiedades no conductivas permanentes. Cuando utilice esta unidad cerca de líneas eléctricas energizadas, utilice únicamente mangueras no conductivas aprobadas y equipo de protección personal adecuado.</li> <li>Mantenga la extensión de fibra de vidrio limpia y seca cuando trabaje cerca de líneas eléctricas energizadas. La acumulación de aceite o polvo reduce las propiedades de aislamiento de la herramienta.</li> </ul> <p>De no observarse estas advertencias podrían sufrirse graves lesiones o incluso la muerte.</p>

	<h3>⚠️ ADVERTENCIA</h3>
	<p>Peligro de inyección cutánea:</p> <ul style="list-style-type: none"> <li>No use las manos para localizar fugas.</li> <li>No toque la manguera ni los acopladores mientras el sistema hidráulico se encuentre presurizado.</li> <li>Purgue la presión en el sistema hidráulico antes de darle mantenimiento.</li> </ul> <p>El aceite bajo presión punza la piel fácilmente provocando graves lesiones, gangrena o la muerte. Si se lesiona debido a una fuga de aceite, solicite atención médica de inmediato.</p>

	<h3>⚠️ ADVERTENCIA</h3>
	<p>El cuerpo, la barra, la cuchilla y otros componentes de la sierra estarán calientes durante y después de su uso. Sea precavido al manejar la sierra ya que podría quemarse gravemente.</p> <p>De no observarse esta advertencia podrían sufrirse graves lesiones o incluso la muerte.</p>

	<h3>⚠️ ADVERTENCIA</h3>
	<p>Lleve siempre puesto un casco protector cuando utilice esta herramienta.</p> <p>De no observarse esta advertencia podrían sufrirse graves lesiones o incluso la muerte.</p>

	<h3>⚠️ ADVERTENCIA</h3>
	<p>Antes de operar la sierra, lea y entienda las siguientes explicaciones que aparecen en el manual:</p> <ul style="list-style-type: none"> <li><b>Enganche</b> El enganche puede ocurrir cuando la cuchilla en la parte inferior de la barra hace contacto con un objeto extraño, por ejemplo un clavo, o cuando la cuchilla queda indentada en el corte. La sierra será arrebatada del operador de manera repentina y brusca.</li> <li><b>Empuje</b> El empuje puede ocurrir cuando la cuchilla en la parte superior de la barra hace contacto con un objeto extraño, por ejemplo un clavo, o cuando la cuchilla queda indentada en el corte. La sierra será lanzada en dirección del operador de manera repentina y brusca.</li> <li><b>Reculada</b> La reculada puede ocurrir cuando la cadena en la punta de la barra guía hace contacto con cualquier objeto. La barra de la sierra se desplazará hacia arriba y hacia atrás en dirección del operador.</li> </ul> <p>De no observarse esta advertencia podrían sufrirse graves lesiones o incluso la muerte.</p>

	<h3>⚠️ ADVERTENCIA</h3>
	<p>Utilice protectores para ojos al manejar o darle mantenimiento a esta herramienta.</p> <p>De no utilizar protectores para ojos podría sufrir graves lesiones oculares ocasionadas si el aceite para aparatos hidráulicos, o restos de materiales llegaran a saltar.</p>

	<h3>⚠️ ADVERTENCIA</h3>
	<p>Al manejar esta herramienta utilice protectores para oídos.</p> <p>La exposición continua a altos niveles de ruido podría resultar en pérdida de la audición.</p>

## Operación (continuación)

	<b>⚠ ADVERTENCIA</b>
	<p>Al manejar esta herramienta utilice calzado protector.</p> <p>De no observarse esta advertencia podrían sufrirse graves lesiones.</p>

<b>⚠ ADVERTENCIA</b>
<p>No desconecte la herramienta, ni las mangueras o accesorios mientras la fuente de energía esté encendida o el líquido hidráulico esté caliente. El líquido hidráulico caliente podría ocasionar quemaduras graves.</p>

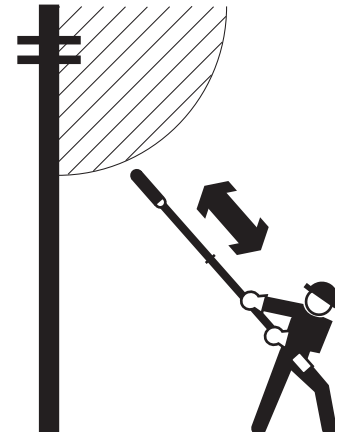
<b>⚠ ATENCIÓN</b>
<p>Riesgo de vibraciones:</p> <p>Aplique únicamente la presión necesaria para realizar el trabajo; si se ejerce una presión excesiva sobre la herramienta, el operador experimentará incomodidad o entumecimiento temporal.</p> <p>De no observarse esta advertencia podrían sufrirse lesiones.</p>

<b>IMPORTANTE</b>
<ul style="list-style-type: none"> <li>• Revise el funcionamiento del engrasador automático periódicamente. Consulte Revisión y Ajuste del Engrasador Automático de la Cadena en este manual.</li> <li>• Revise la cadena periódicamente para verificar que la tensión y el filo sean adecuados. Aumente la tensión y afile según sea necesario.</li> <li>• Consulte las instrucciones que aparecen en Mantenimiento de la Cadena de la Sierra y la Barra Revise periódicamente el nivel del líquido del depósito de la fuente de energía. El engrasador automático utiliza líquido para aparatos hidráulicos para lubricar la barra y la cadena, y ocasionará que el nivel de líquido disminuya.</li> </ul>

<b>IMPORTANTE</b>
<p>Procedimiento de apagado de emergencia:</p> <ol style="list-style-type: none"> <li>1. Suelte el gatillo.</li> <li>2. Apague la fuente de potencia hidráulica.</li> </ol>

Estas instrucciones adicionales están incluidas en el EN 50110-1:

- Para prevenir peligros eléctricos y evitar lesiones o electrocución:
  - a) el operador debe tener el conocimiento técnico o experiencia necesarios
    - o
  - b) el operador debe trabajar bajo supervisión directa de otra persona que cuente con el conocimiento técnico o experiencia necesarios.



- No utilice esta herramienta bajo condiciones ambientales adversas: a saber, tormentas eléctricas, indicios de tormenta eléctrica (por ejemplo, truenos), y visibilidad pobre.
- Si las líneas eléctricas u otros componentes eléctricos transmiten tensiones mayores de 50V CA o 120V CC, asegúrese de:

- a) no tocar las partes energizadas – use pantallas, barreras, un recinto o revestimiento aislante.
  - o
- b) no tratar de alcanzar el “área de trabajo energizada” con alguna parte de su cuerpo, la herramienta o algún accesorio.

El área de trabajo energizada es la distancia desde cualquier parte energizada eléctricamente, según la tensión que transmite dicha parte. Consulte el EN 50110-1, Anexo A, para mayor información.

*Aviso: Mantenga ambos pies en el suelo y un balance adecuado cuando utilice la herramienta. No trate de alcanzar demasiado lejos. Una posición y balance inadecuados le impedirá contrarrestar el movimiento normal o inesperado de la herramienta.*

1. Sujete el la empuñadura frontal con una mano y la empuñadura del gatillo con la otra mano.
2. Mueva el enganche de seguridad del gatillo hacia el frente y hale el gatillo hasta que la sierra alcance la velocidad de rpm máxima.
3. Alimente la cadena giratoria de la sierra empleando una presión constante y uniforme.
 

*Aviso: Corte la madera en forma recta – no gire la sierra en el corte.*
4. Para detener la sierra, suelte el gatillo.
5. Cuando no esté utilizando la herramienta, detenga la fuente de potencia hidráulica para reducir el calentamiento y el desgaste.



## Mantenimiento

	<h3>⚠️ ADVERTENCIA</h3>
	<p>Utilice protectores para ojos al manejar o darle mantenimiento a esta herramienta.</p> <p>De no utilizar protectores para ojos podría sufrir graves lesiones oculares ocasionadas si el aceite para aparatos hidráulicos, o restos de materiales llegaran a saltar.</p>

<h3>⚠️ ADVERTENCIA</h3>
<p>No cambie accesorios ni inspeccione, ajuste o limpie la herramienta mientras esté conectada a una fuente de energía. Si ésta se activa accidentalmente, podría ocasionar graves lesiones.</p> <p>De no observarse estas advertencias podrían sufrirse graves lesiones o incluso la muerte.</p>

### CALENDARIO

Siga este calendario de mantenimiento para maximizar la vida útil de la herramienta.

*Notas: Mantenga las etiquetas de advertencia limpias y legibles. Reemplácelas según sea necesario.*

*Al desechar cualquier tipo de componentes (mangueras hidráulicas, líquido hidráulico, piezas usadas, etc.), hágalo de acuerdo con lo establecido por las leyes o reglamentos federales, estatales y locales.*

### Diariamente

1. Limpie con un paño todas las superficies de la herramienta.
2. Revise minuciosamente toda la cadena antes de utilizarla. Afile y aplique tensión a la cadena según se indica en Mantenimiento de la Cadena de la Sierra y la Barra. Una cadena indebidamente afilada, embotada, desgastada o dañada aumenta las posibilidades de que ocurra una situación de reculada.
3. Antes de utilizarlo, revise la operación del engrasador automático según de indica en Revisión y Ajuste del Engrasador Automático de la Cadena. Un engrasador ajustado incorrectamente puede acelerar el desgaste de la cadena y la barra.
4. Revise si las mangueras y los accesorios hidráulicos presentan signos de fugas, grietas, desgaste o daños. Reemplace según sea necesario.
5. Cuando la herramienta esté desconectada, coloque las tapas guardapolvo en los orificios hidráulicos.

### Mensualmente

1. Realice una inspección minuciosa de las mangueras y accesorios hidráulicos, según se describe en la publicación 99930323, SAE J1273 (Manguera y conjuntos de mangueras).
2. Realice el servicio de la barra según se indica en Mantenimiento de la Cadena de la Sierra y la Barra.

3. Ponga la sierra en funcionamiento a la velocidad de rpm máxima y libere el gatillo. Anote la cantidad de tiempo que le toma a la cadena detenerse completamente (tiempo de paro). Compárela con tiempos de paro registrados en meses anteriores.

Un tiempo de paro en aumento significa que los componentes de la válvula del gatillo están sucios o gastados. Lleve la herramienta a un Centro de Servicio Autorizado Greenlee para su limpieza o reparación.

### Anualmente

Si su compañía lo exige, envíe la herramienta a un Centro de Servicio Autorizado Greenlee para que la revisen.

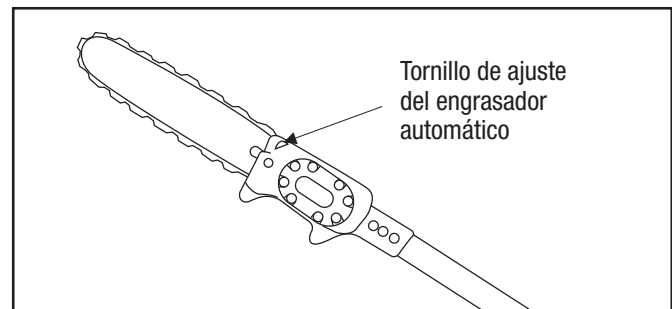
### REVISIÓN Y AJUSTE DEL ENGRASADOR AUTOMÁTICO DE LA CADENA

El engrasador automático de la cadena brinda un abastecimiento constante de aceite para lubricar la barra y la cadena siempre que la sierra se encuentre funcionando. La cantidad de aceite abastecido es controlada por un tornillo de ajuste.

Antes de ajustar el engrasador automático, limpie primero el conducto de aceite en la base de la barra guía. El goteo de aceite del cabezal de la sierra, de la cubierta de la rueda dentada o de la barra significa que el conducto de aceite está obturado.

1. Ponga la sierra en funcionamiento a la velocidad de rpm máxima.
  2. Si la punta de la sierra emite una aspersion de aceite fina, el engrasador automático se encuentra trabajando adecuadamente. Si la sierra no emite una aspersion de aceite, ajuste el engrasador.
- Aviso: Para mejores resultados, sujete la sierra de manera que la punta de la cuchilla de la sierra quede orientada hacia una hoja de papel o pedazo de cartón limpio y ponga la sierra a funcionar la velocidad de rpm máxima. Si el engrasador automático está funcionando adecuadamente, aparecerán pequeñas gotas de aceite en el papel y el pedazo de cartón.*
3. Apague la fuente de potencia hidráulica.
  4. Apriete bien el tornillo del engrasador hasta que quede asentado. Afloje 1/4 de vuelta hacia la izquierda.

**Tornillo de ajuste del engrasador automático**



5. Arranque la fuente de energía hidráulica.

## Mantenimiento (continuación)

- Continúe aflojando el tornillo del engrasador  $\frac{1}{4}$  de vuelta a la vez hasta que el caudal del engrasador quede ajustado correctamente.

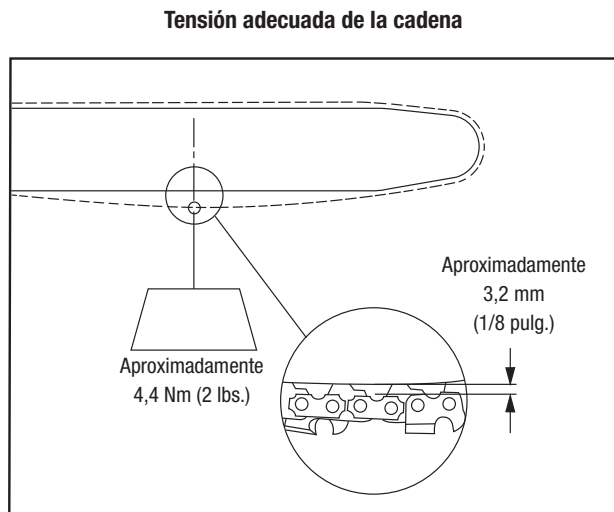
### MANTENIMIENTO DE LA CADENA DE LA SIERRA Y LA BARRA

#### Operación inicial de la nueva cadena

- Ponga la sierra a funcionar por espacio de 2 a 3 minutos con la cadena ajustada a velocidad baja y sin cortar madera. Revise el caudal del engrasador automático.
- Apague la fuente de potencia hidráulica. Desconecte las mangueras. Espere a que la barra y la cadena se enfríen. Revise la tensión y ajústela de ser necesario.
- Conecte las mangueras. Arranque la fuente de energía. Realice algunos cortes fáciles con la cadena ajustada a velocidad moderada.
- Apague la fuente de potencia hidráulica. Desconecte las mangueras. Espere a que la barra y la cadena se enfríen. Revise la tensión y ajústela de ser necesario.
- Conecte las mangueras. Arranque la fuente de energía. Utilice la sierra para realizar cortes moderados durante los próximos 30 minutos de operación.

#### Revisión de la tensión de la cadena

- Apague la fuente de potencia hidráulica. Desconecte las mangueras. Espere a que la barra y la cadena se enfríen.
- Tire de la cadena de la sierra alrededor de la barra. La cadena deberá girar con facilidad alrededor de la barra. De lo contrario, consulte Dificultad para Girar la Cadena Manualmente en la tabla de Diagnóstico y solución de fallas.
- Revise la tensión según se indica a continuación:  
Tire de la cadena de la sierra para separarla de la barra, (vea la ilustración) utilizando aproximadamente 4,4 Nm (2 lbs.) de fuerza. El espacio libre entre la cadena y la barra debe ser de aproximadamente 3,2 mm (1/8 pulg.) Si el espacio libre es demasiado o muy poco, proceda al Ajuste de la tensión de la cadena.



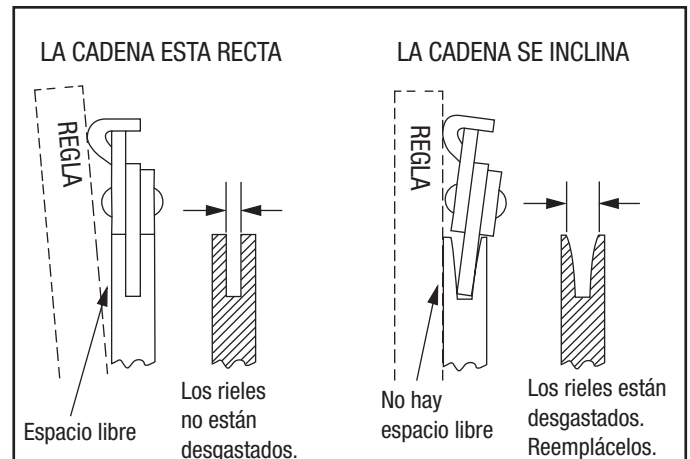
#### Ajuste de la tensión de la cadena

- Afloje los dos tornillos de montaje de la barra guía.
- Gire el tornillo de ajuste de tensión de la cadena de la sierra hasta que se obtenga la tensión adecuada, según se indica a continuación:  
Tire de la cadena de la sierra para separarla de la barra, (vea la ilustración) utilizando aproximadamente 4,4 Nm (2 lb.) de fuerza. El espacio libre entre la cadena y la barra debe ser de aproximadamente 3,2 mm (1/8 pulg.)
- Sujete la punta de la barra y apriete las dos tuercas de brida de la barra. Apriete a 16,9 Nm (150 pulg/lb).
- Revise nuevamente la tensión de la cadena.
- Con la mano, gire la cadena alrededor de la barra. Si escucha un chasquido, los eslabones de accionamiento de la cadena están impactando la barra. Repita el procedimiento de Ajuste de la tensión de la cadena.

#### Servicio de la barra

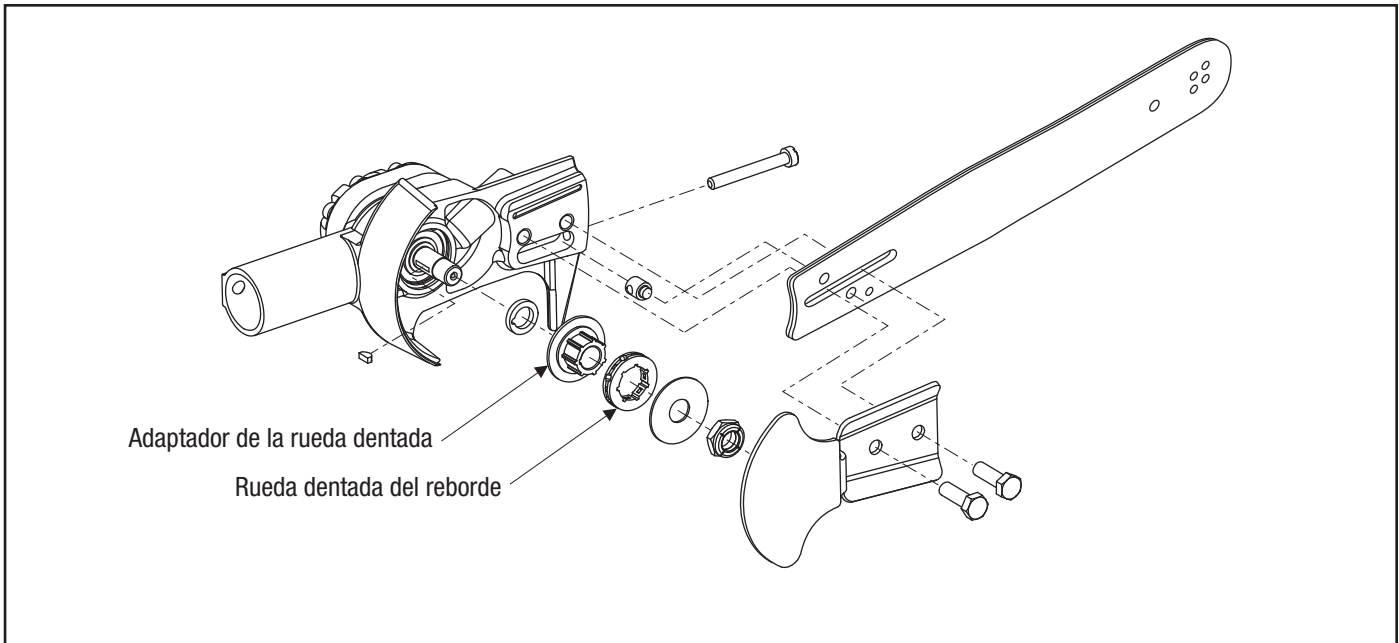
- Haga una marca en el lado superior de la barra con un lápiz o marcador graso.
- Retire la cadena y la barra. Utilice un cepillo de limpieza pequeño para remover todo residuo de la ranura de la barra.
- Limpie todo el conducto de aceite en la base de la barra guía. Use cualquier dispositivo suficientemente pequeño para limpiar el conducto.
- Revise si los rieles de la barra están desgastados colocando una regla contra el lado de la barra y un cortador.
  - El espacio libre entre la barra y la regla indica que los rieles de la barra no están desgastados.
  - Si la cadena se inclina y la cantidad de espacio libre entre la barra y la regla es mínima o inexistente, los rieles de la barra están desgastados y la barra deberá ser reemplazada.

#### Revisión de los rieles para detectar desgaste

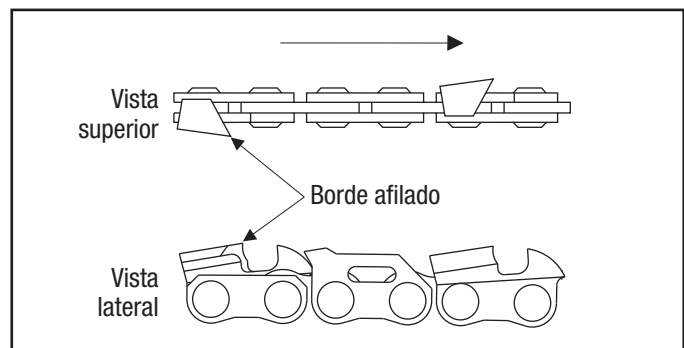


**Mantenimiento (continuación)**

5. Inspeccione la rueda dentada del reborde y el adaptador de la rueda dentada. Reemplácelos si están gastados o dañados.

**Rueda dentada del reborde y adaptador de la rueda dentada**

6. Utilice la marca que hiciera en el Paso 1 para instalar la barra boca abajo, de modo que la barra se desgaste de manera uniforme.
7. Instale la cadena según se muestra. Ajuste la tensión de la cadena según se describe en Ajuste de la tensión de la cadena.

**Dirección del desplazamiento de la cadena**



## Mantenimiento (continuación)

### AFILADO DE LA CADENA DE LA SIERRA

La cadena de la sierra debe afilarse de acuerdo con las especificaciones del fabricante. Una cadena de sierra indebidamente afilada aumenta las posibilidades de que ocurra una situación de reculada.

Si utiliza una guía de limado o una afiladora manual, consulte las instrucciones del fabricante provistas con la unidad.

Todas las Sierras de cadena de largo alcance incluyen la siguiente cadena:

Vea la ilustración:	Figura A	Figura B	Figura C	Figura D	Figura E	—	Figura F	—
	Paso	Calibre	Ángulo de la placa lateral	Ángulo de corte de la placa superior	Ángulo de limado de la placa superior	Ángulo de la guía de limado	Ajuste del calibre de profundidad	Dimensión de la lima redonda
	.325"	.058"	85°	60°	30°	10°	.025"	3/16"

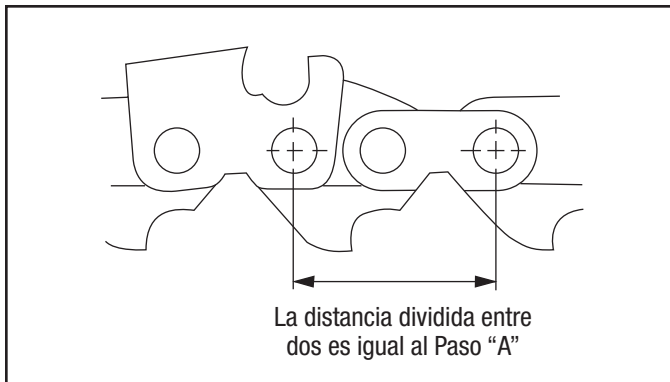
### Paso de la cadena de la sierra

Vea la Figura A. El paso se refiere a la medida de la cadena de la sierra. El paso de una cadena es la distancia entre tres remaches consecutivos dividido entre dos. Ejemplo: 0,65 dividido entre dos es igual a un paso de 0,325.

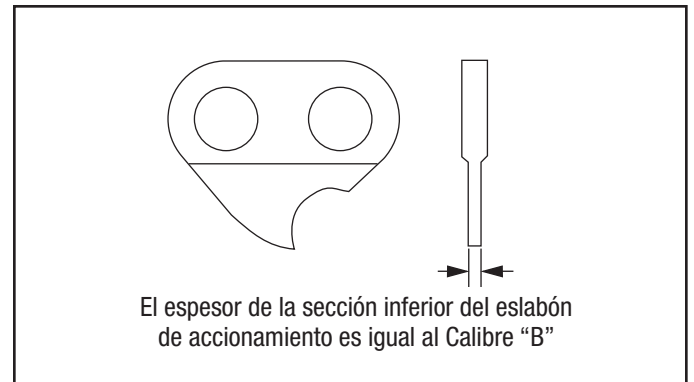
### Calibre de la cadena de la sierra

Vea la Figura B. El calibre se refiere al espesor de la porción del eslabón de accionamiento que se ajusta a la ranura de la barra guía. La barra guía debe corresponder con el calibre de la cadena de la sierra. Las normas de la industria son 0,050, 0,058 y 0,063.

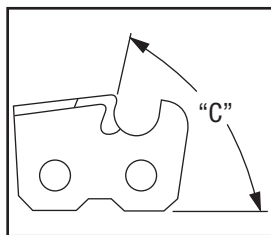
**Figura A**  
Paso



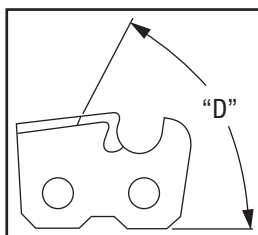
**Figura B**  
Calibre



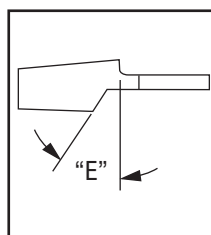
**Figura C**  
Ángulo de la placa lateral



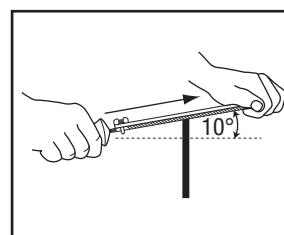
**Figura D**  
Ángulo de corte de la placa superior



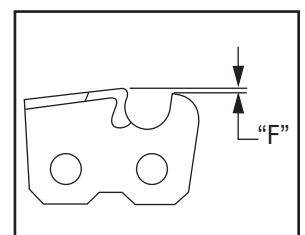
**Figura E**  
Ángulo de limado de la placa superior



**Figura F**  
Ángulo de la guía de limado



**Figura F**  
Ajuste del calibre de profundidad

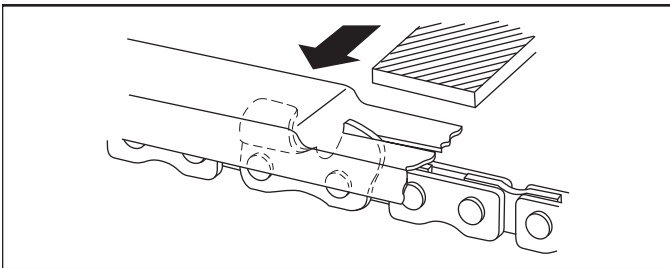


## Mantenimiento (continuación)

### Calibres de profundidad de afilado

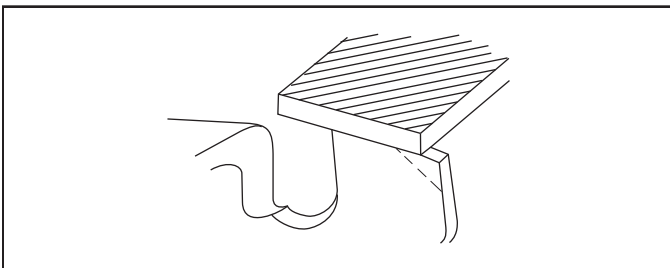
1. Si los cortadores son afilados con un sujetador de lima, revise y disminuya los calibres de profundidad antes de afilar los cortadores.
2. Revise los calibres de profundidad luego de cada tres afilados.
3. Coloque la herramienta del calibre de profundidad en el cortador. Si el calibre de profundidad sobresale, límelo a nivel con la parte superior de la herramienta. Siempre lime desde la parte interior de la cadena de la sierra hacia el exterior del cortador.

#### Disminución de los calibres de profundidad



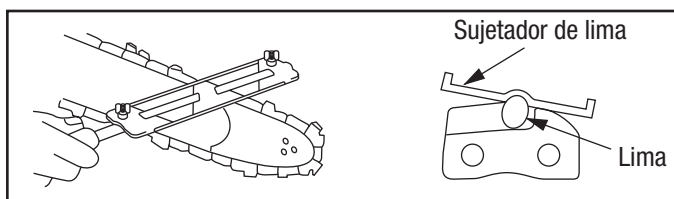
4. Descantee la esquina frontal para mantener la forma original del calibre de profundidad luego de utilizar la herramienta del calibre de profundidad. Observe siempre el ajuste del calibre de profundidad recomendado por el fabricante de la cadena. Esto es importante tanto para obtener un rendimiento máximo durante la vida útil de la cadena como para evitar situaciones de reculada.

#### Descante de los calibres de profundidad

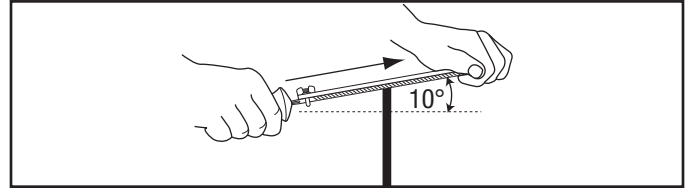


### Cortadores de limado - General

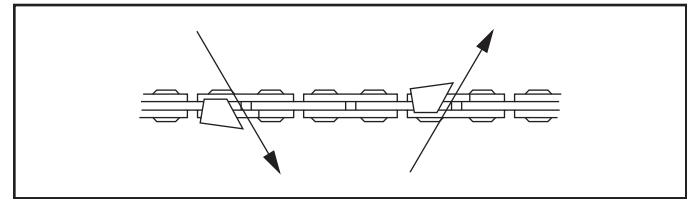
1. Apoye el sujetador de limado en la placa superior del cortador y el calibre de profundidad según se muestra.



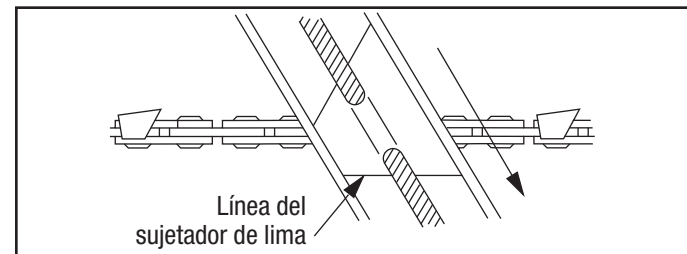
2. Guíe la lima a un ángulo de 10° de los cortadores.



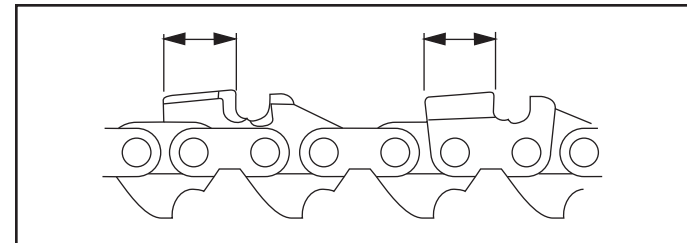
3. Lime los cortadores en un lado de la cadena de adentro hacia afuera. Lime realizando movimientos en sentido directo solamente.



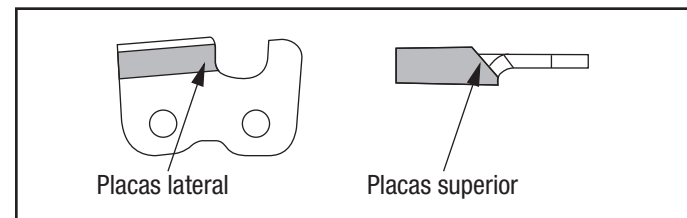
4. Mantenga la línea del sujetador de lima paralela con el centro de la cadena de la sierra. Invierta el procedimiento para el lado opuesto.



5. Mantenga todos los cortadores del mismo largo.



6. Lime lo suficiente como para remover cualquier daño en los bordes afilados (placas lateral y superior) del cortador.



## Diagnóstico y solución de fallas

Antes de proceder a diagnosticar y solucionar la falla, determine si el problema se presenta en la herramienta, en las mangueras o en la fuente de potencia. Sustituya la herramienta, las mangueras o la fuente de energía por otras que se sepa están en buenas condiciones de funcionamiento; de esta forma podrá averiguar cuál de los componentes es el que está fallando.

Si el problema se presenta en la herramienta, vea la guía de diagnóstico y solución de fallas que se incluye en este manual. Si el problema se presenta en la fuente de potencia, consulte la sección “Diagnóstico y solución de fallas” del manual de instrucciones de esa fuente.

Problema	Causa Probable	Solución Posible
La herramienta no funciona.	Fuente de potencia inadecuada.	Verifique que la fuente de potencia cumple con las especificaciones. Consulte la sección Especificaciones.
	El nivel del líquido para aparatos hidráulicos está bajo.	Revise el nivel del líquido para aparatos hidráulicos. Revise que el sistema no presente fugas.
	La viscosidad del líquido para aparatos hidráulicos es incorrecta.	Utilice líquido para aparatos hidráulicos con la viscosidad correcta. Consulte la sección Especificaciones.
La herramienta funciona de manera lenta o errática.	El líquido para aparatos hidráulicos está frío.	Deje que el líquido alcance su temperatura de funcionamiento. Accione la herramienta de manera intermitente para reducir el tiempo de calentamiento.
	La fuente de potencia no está ajustada correctamente.	Consulte el Manual del operador de la fuente de potencia. Seleccione el flujo y la presión que correspondan a esta herramienta.
	El nivel del líquido para aparatos hidráulicos está bajo.	Revise el nivel del líquido para aparatos hidráulicos. Revise que el sistema no presente fugas.
	Hay aire en el sistema hidráulico.	Consulte las instrucciones del fabricante de la fuente de potencia en relación con el procedimiento para eliminar aire del sistema.
	La viscosidad del líquido para aparatos hidráulicos es incorrecta.	Utilice líquido para aparatos hidráulicos con la viscosidad correcta. Consulte la sección Especificaciones.
Es difícil operar el gatillo; el gatillo se pega cuando se libera.	Depósitos en el gatillo o el carrete sucios o pegajosos.	Limpie y lubrique el gatillo y el carrete del gatillo.
La cadena opera en dirección equivocada.	Las conexiones de la manguera en la herramienta están invertidas.	Purgue la presión del sistema hidráulico. Cambie las conexiones de la manguera.

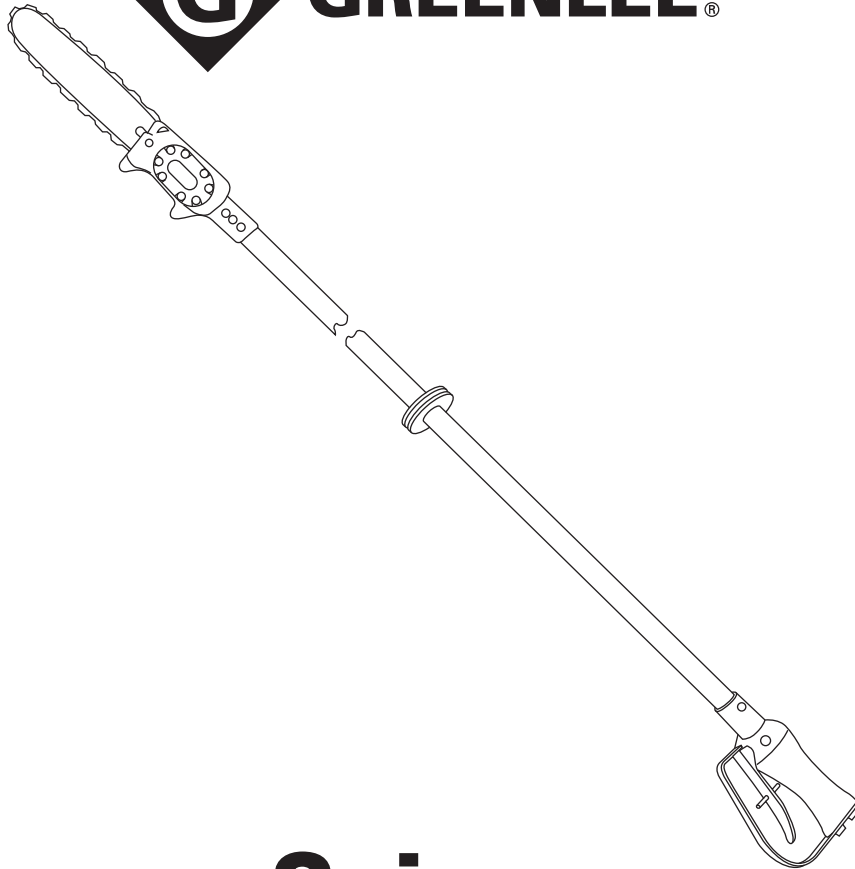
## Diagnóstico y solución de fallas (continuación)

Problema	Causa Probable	Solución Posible
La cadena no corta.	La cadena está embotada.	Retire la cadena y afílela de acuerdo con las especificaciones del fabricante o reemplácela con una cadena afilada.
	Demasiada tensión en la cadena.	Ajuste la tensión de la cadena. Consulte Mantenimiento de la Cadena de la Sierra y la Barra.
	Engrasador automático no lubrica la cadena ni la barra.	Consulte Revisión y Ajuste del Engrasador Automático de la Cadena.
	Cadena instalada al revés.	Retire la cadena e instálela correctamente.
	Barra guía desgastada.	Inspeccione los rieles de la barra guía para detectar desgastes. Consulte Mantenimiento de la Cadena de la Sierra y la Barra. De advertirse desgaste excesivo, reemplace la barra guía.
La herramienta está caliente.	El nivel del líquido para aparatos hidráulicos está bajo.	Revise el nivel del líquido para aparatos hidráulicos. Revise que el sistema no presente fugas.
	La viscosidad del líquido para aparatos hidráulicos es incorrecta.	Utilice líquido para aparatos hidráulicos con la viscosidad correcta. Consulte la sección Especificaciones.
	El líquido para aparatos hidráulicos está sucio.	Consulte el manual del propietario de la fuente de potencia en relación con el procedimiento para cambio de aceite para aparatos hidráulico y filtro.
Es difícil girar la cadena con la mano.	Presión hidráulica atrapada en el motor de la sierra.	Libere la presión hidráulica llevando a cabo el procedimiento de desconexión de las mangueras adecuado. Consulte Conexiones de las mangueras en este manual.
	Cadena y barra ajustadas incorrectamente.	Consulte Ajuste de la tensión de la cadena que aparece en la sección Mantenimiento de la Cadena de la Sierra y la Barra en este manual.
	Eslabones de accionamiento de la cadena dañados.	Retire la cadena e inspeccione los eslabones de accionamiento.
	Ranura de la barra dañada.	Retire la cadena e inspeccione la ranura de la barra.

# MANUEL D'INSTRUCTIONS



**GREENLEE®**



## **Scie a Chaine Longue Portée Rempli de mousse LRF 75 et 88**

Codes de série AMT, AMS, GLZ, GLY, HAD et HAE



Nous vous conseillons de **lire attentivement** et de **bien comprendre** les instructions suivantes avant d'utiliser ou de procéder à l'entretien de cet outil.

Enregistrez votre produit en ligne, [www.greenlee.com](http://www.greenlee.com)

## Table des matières

Description .....	46
Sécurité .....	46
Dessin.....	46
Autres publications.....	46
Consignes de sécurité importantes.....	47-50
Identification.....	51
Spécifications.....	52-53
Rudiments de la scie à chaîne .....	54-56
Montage du Super Spool .....	57
Tuyaux et raccords .....	57
Branchement des tuyaux .....	57
Montage type .....	57
Utilisation.....	58-59
Entretien .....	60-64
Service	
Démontage .....	111
Montage.....	112-113
Illustrations .....	114-118
Liste des pièces .....	119-120

## Description

Les scies à chaîne longue portée sont des outils de coupe hydrauliques conçus pour tailler les arbres à partir du sol ou d'une plate-forme.

Le concept breveté Super Spool™ de Greenlee permet d'utiliser l'outil avec des systèmes hydrauliques à centre ouvert ou fermé. Les propriétés diélectriques de la tige en fibre de verre réduisent les risques de décharges électriques lorsque la scie est utilisée à proximité de câbles électriques. Les autres caractéristiques comprennent une chaîne antirebond, un protecteur de pignon entièrement couvert, un cale-main de sécurité, un dispositif de verrouillage pour gâchette et une protection contre le déclenchement intempestif.

Super Spool est protégé par le brevet américain n° 4,548,229.

## Sécurité

Lors de l'utilisation et de l'entretien des outils et de l'équipement de Greenlee, votre sécurité est une priorité. En suivant les instructions de ce manuel et celles inscrites sur l'outil, vous pourrez éliminer les risques et les dangers liés à son utilisation. Respectez toutes les consignes de sécurité.

## Dessin

Ce manuel est conçu pour que le personnel puisse se familiariser avec les procédures de fonctionnement, les spécifications, les pièces et l'entretien en toute sécurité des outils hydrauliques Greenlee suivants :

52020556 LRF 75 Codes de série  
AMT, GLZ et HAE

52020558 LRF 88 Codes de série  
AMS, GLY et HAD

Mettez ce manuel à la disposition de tous les employés. Vous pouvez obtenir des exemplaires gratuits sur simple demande.

## Autres publications

### Propriétaires/utilisateurs de l'outil

Norme SAE J1273 (Tuyaux et assemblages de tuyaux) :  
Publication 99930323

Toutes les spécifications sont nominales et peuvent changer avec l'amélioration de la conception. Greenlee Tools, Inc. ne peut être tenue responsable des dommages résultant d'une application inappropriée ou d'un mauvais usage de ses produits.

# CONSERVEZ CE MANUEL

## CONSIGNES DE SECURITE IMPORTANTES



### SYMBOLE D'AVERTISSEMENT

Ce symbole vous met en garde contre les risques ou les manipulations dangereuses pouvant entraîner des blessures ou l'endommagement du matériel. Les mots indicateurs ci-dessous définissent la gravité du danger et sont suivis d'informations vous permettant de reconnaître le danger et de l'éviter.

#### **⚠ DANGER**

Danger immédiat qui, s'il n'est pas pris en considération, ENTRAÎNERA des blessures graves, voire mortelles.

#### **⚠ AVERTISSEMENT**

Danger qui, s'il n'est pas pris en considération, POURRAIT entraîner des blessures graves, voire mortelles.

#### **⚠ AVERTISSEMENT**

Dangers ou manipulations dangereuses qui, s'ils ne sont pas pris en considération, POURRAIENT EVENTUELLEMENT entraîner des blessures graves, voire mortelles.

### ⚠ AVERTISSEMENT

Risque d'électrocution :

- Cet outil lors de sa fabrication a été testé pour répondre à la norme OSHA 1910.269 (essai à sec). Il doit être nettoyé et entretenu de manière appropriée pour assurer des propriétés isolantes continues. Lorsque vous utilisez cet appareil à proximité d'une ligne électrique sous tension, n'utilisez que des tuyaux certifiés isolants et un équipement de protection individuelle adéquat.
- Maintenez l'extension en fibre de verre propre et sèche lorsque vous travaillez autour de lignes électriques. L'huile accumulée ou la saleté réduisent les propriétés isolantes de l'outil.
- Lorsque vous utilisez cet outil à proximité de lignes électriques sous tension, observez les instructions fournies dans le DIN EN 50110-1. Les parties les plus importantes de cette norme sont incluses dans la section Utilisation de ce manuel.

L'inobservation de ces consignes pourrait entraîner des blessures graves, voire mortelles.



### ⚠ AVERTISSEMENT



Nous vous conseillons de lire attentivement et de bien comprendre les instructions suivantes avant d'utiliser ou de procéder à l'entretien de cet outil.

L'inobservation de cette consigne pourrait entraîner des blessures graves, voire mortelles.

### ⚠ AVERTISSEMENT

Risque d'injection sous-cutanée :

- N'utilisez jamais vos mains pour déterminer l'emplacement d'une fuite.
- Ne tenez jamais un tuyau ou un raccord de tuyau dans vos mains lorsque le système hydraulique est pressurisé.
- Veillez à dépressuriser le système hydraulique avant d'en effectuer l'entretien.

Un jet d'huile sous pression peut facilement percer la peau et entraîner de graves blessures, la gangrène, voire la mort. Si vous êtes blessé par un jet d'huile, consultez immédiatement un docteur.





## CONSIGNES DE SECURITE IMPORTANTES

### ⚠️ AVERTISSEMENT

Avant d'utiliser cette scie, lisez et comprenez les explications suivantes de ce manuel :

- **Accrochage**

Un accrochage se produit lorsque la lame située au fond de la barre entre en contact avec un corps étranger, comme un clou, ou lorsque qu'elle est pincée dans le sillon de coupe.

La scie est alors projetée brusquement et brutalement loin de l'opérateur.

- **Rejet**

Un rejet se produit lorsque la lame située au-dessus de la barre entre en contact avec un corps étranger, comme un clou, ou lorsque qu'elle est pincée dans le sillon de coupe.

La scie est alors repoussée brusquement et brutalement vers l'opérateur.

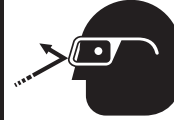
- **Rebond**

Un rebond peut survenir lorsque la chaîne située à l'extrémité de la barre de guidage entre en contact avec n'importe quel objet. La barre de la scie se déplacera alors vers le haut et vers le bas, en direction de l'opérateur.

L'inobservation de cette consigne pourrait entraîner des blessures graves, voire mortelles.



### ⚠️ AVERTISSEMENT



Nous vous conseillons de porter des lunettes de protection lors de l'utilisation ou de l'entretien de cet outil.

Le fait de ne pas porter des lunettes de protection pourrait entraîner des blessures oculaires graves causées par la projection de débris ou d'huile hydraulique.

### ⚠️ AVERTISSEMENT



Nous vous conseillons de porter un dispositif de protection antibruit lorsque vous utilisez cet outil.

Une exposition prolongée à des bruits élevés pourrait, à long terme, provoquer une perte de l'ouïe.

### ⚠️ AVERTISSEMENT



Nous vous conseillons de porter un dispositif de protection des pieds lorsque vous utilisez cet outil.

L'inobservation de cette consigne pourrait entraîner des blessures graves.

### ⚠️ AVERTISSEMENT



Certains types de bois peuvent produire des sciures nocives lorsqu'ils sont coupés. Portez un masque antipoussières pour éviter de respirer des sciures nocives.

L'inobservation de cette consigne peut entraîner des difficultés respiratoires temporaires ou même des blessures graves.

### ⚠️ AVERTISSEMENT



Portez un casque de protection lorsque vous utilisez cet outil.

L'inobservation de cette consigne pourrait entraîner des blessures graves, voire mortelles.

### ⚠️ AVERTISSEMENT



Portez des gants protecteurs lorsque vous utilisez cet outil.

L'inobservation de cette consigne pourrait entraîner des blessures graves.



## CONSIGNES DE SECURITE IMPORTANTES

### ⚠️ AVERTISSEMENT

- Ne changez pas les accessoires, n'inspectez pas ou ne nettoyez pas l'outil lorsqu'il est branché à une source d'alimentation. Un démarrage accidentel pourrait entraîner de graves blessures.
- Gardez les poignées propres, sèches et sans aucune trace de fluide hydraulique.
- Tenez toujours l'outil fermement, à deux mains, les pouces et les doigts encerclant solidement les poignées. Une perte de contrôle pourrait entraîner de graves blessures.
- Ne bloquez pas la gâchette en position MARCHÉ (Power-ON). L'opérateur ne peut pas arrêter l'outil lorsque la gâchette est bloquée.
- N'enlevez pas ou ne modifiez pas la gâchette de sécurité de cet outil. Un démarrage accidentel pourrait entraîner de graves blessures.
- Veuillez porter des gants de protection lors de la manipulation ou du réglage de la chaîne. La chaîne est coupante même à l'arrêt.

L'inobservation de ces consignes pourrait entraîner des blessures graves, voire mortelles.

### ⚠️ AVERTISSEMENT



Le corps de la scie, la barre, la lame et les autres composants seront chauds pendant et après leur utilisation. Soyez prudent lorsque vous manipulez la scie, car les surfaces chaudes peuvent provoquer de graves brûlures.

L'inobservation de cette consigne pourrait entraîner des blessures graves, voire mortelles.

### ⚠️ AVERTISSEMENT

Transport de la scie à chaîne :

- Laissez à la chaîne le temps de s'arrêter de tourner.
- Attendez que la chaîne refroidisse.
- Utilisez un fourreau approprié pour la barre de guidage.
- Transportez la scie avec sa barre de guidage placée vers l'arrière.

L'inobservation de ces consignes pourrait entraîner des blessures graves, voire mortelles.

### ⚠️ AVERTISSEMENT

Ne déconnectez jamais l'outil, les tuyaux ou les raccords lorsque l'appareil est alimenté ou lorsque le liquide hydraulique est chaud, car ce dernier pourrait provoquer de graves brûlures.

### ⚠️ AVERTISSEMENT

N'inversez jamais le sens du débit hydraulique, car cela pourrait causer un mauvais fonctionnement de l'outil. Branchez le tuyau de pression et celui du réservoir aux orifices appropriés.

### ⚠️ AVERTISSEMENT

- Utilisez cet outil pour l'élagage et l'ébranchage des arbres uniquement. Toute autre utilisation est susceptible de provoquer des blessures ou des dégâts matériels.
- Vérifiez l'outil avant de l'utiliser. Remplacez toute pièce usée, endommagée ou manquante. Un outil dont les pièces sont endommagées ou qui n'a pas été correctement monté peut subir une défaillance technique et blesser les personnes se tenant à proximité.
- Inspectez les tuyaux hydrauliques et les raccords chaque jour de fonctionnement. Si vous remarquez une fuite, un craquèlement, une usure ou un dommage, réparez ou remplacez le cas échéant. Des tuyaux ou des raccords endommagés peuvent provoquer une défaillance de l'outil et entraîner des blessures ou des dégâts matériels.
- Assurez-vous que toutes les personnes non impliquées dans l'opération de cet outil se tiennent à bonne distance de la zone de travail lorsque vous le faites fonctionner. Le personnel se tenant à proximité peut être blessé par les chutes de débris.

L'inobservation de ces précautions est susceptible d'entraîner des blessures ou des dégâts matériels.

## CONSIGNES DE SECURITE IMPORTANTES

### ⚠️ AVERTISSEMENT

L'huile hydraulique peut provoquer une irritation de la peau.

- Manipulez les tuyaux et l'outil avec précaution pour éviter un contact cutané avec l'huile hydraulique.
- En cas de contact accidentel avec l'huile hydraulique, lavez immédiatement la partie affectée pour retirer l'huile.

L'inobservation de ces consignes est susceptible d'entraîner des blessures graves.

### ⚠️ AVERTISSEMENT

Risque de vibration :

Exercez seulement la pression requise pour effectuer le travail. Une pression excessive sur l'outil peut entraîner un inconfort ou un engourdissement temporaire chez l'opérateur.

L'inobservation de cette consigne est susceptible d'entraîner des blessures graves.

### IMPORTANT

- Vérifiez fréquemment le fonctionnement du graisseur automatique. Voir la section Vérification et réglage du graisseur automatique de la chaîne, dans ce manuel.
- Vérifiez fréquemment la tension et l'affûtage de la chaîne. Réglez à la bonne tension et affûtez le cas échéant. Voir les instructions de la section Entretien de la chaîne et de la barre.
- Vérifiez fréquemment le niveau du réservoir de fluide de la source d'alimentation. Le graisseur automatique utilise le fluide hydraulique pour lubrifier la barre et la chaîne et produit ainsi une baisse du niveau de fluide.

### IMPORTANT

Procédure de débranchement des tuyaux hydrauliques, de leurs raccords ou de leurs composants :

1. Placez le levier d'écoulement de la source d'alimentation hydraulique en position d'ARRÊT (OFF).
2. Coupez la source d'alimentation.
3. Suivez la séquence qui figure à la rubrique Débranchement des tuyaux pour éviter une accumulation de la pression. Au cas où la pression se serait accumulée, desserrez doucement les tuyaux, les raccords ou les composants.

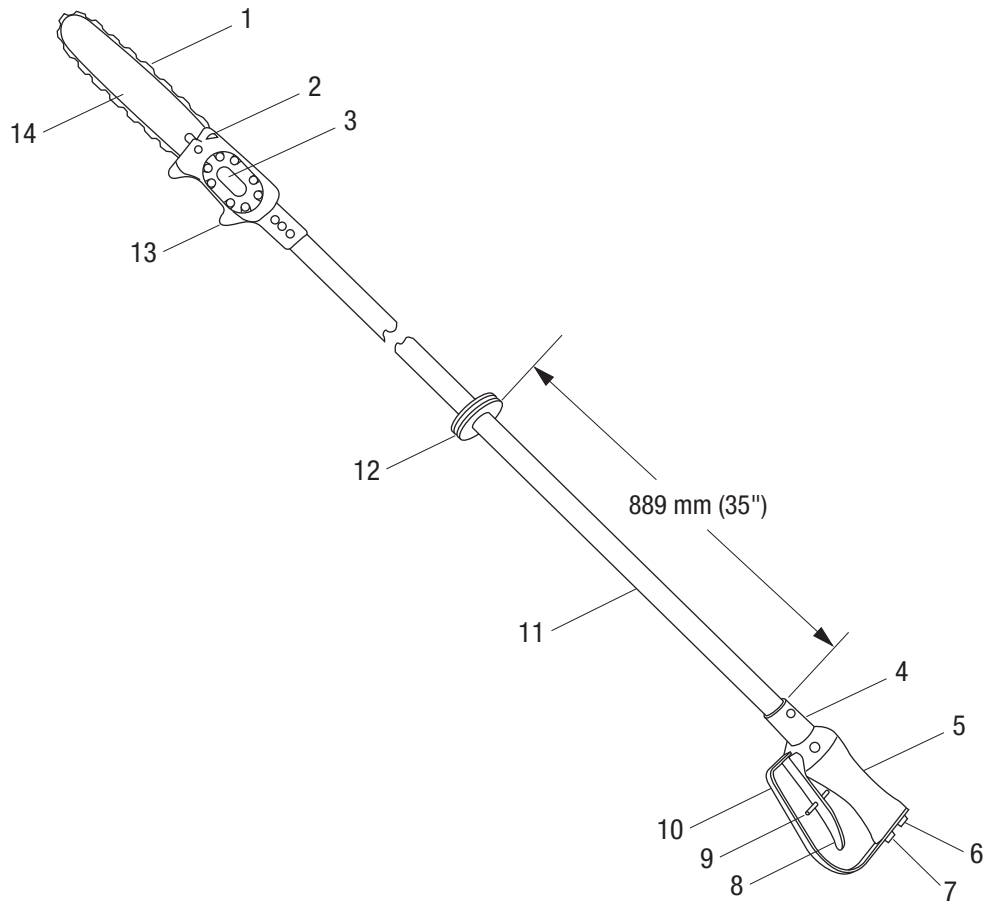
### IMPORTANT

Procédure d'arrêt d'urgence :

1. Relâchez la gâchette.
2. Fermez la source d'alimentation hydraulique.

*Remarque : Veillez à ce que les décalcomanies soient propres et lisibles. Remplacez-les le cas échéant.*

**Identification**



**Scies à chaîne longue portée**

- |                                      |   |
|--------------------------------------|---|
| 1. Scie à chaîne                     | 9. Verrou de dispositif de verrouillage pour gâchette |
| 2. Graisseur automatique             | 10. Protecteur de gâchette ou sangle de gâchette      |
| 3. Moteur d'entraînement hydraulique | 11. Ensemble de tubes, rempli de mousse               |
| 4. Numéro de série                   | 12. Cale-main   |
| 5. Poignée                           | 13. Tête de scie                                      |
| 6. Orifice de retour                 | 14. Barre de guidage                                  |
| 7. Orifice de pression               |   |
| 8. Gâchette                          |   |

## Spécifications

### Scie à tronçonner longue portée

Type de système hydraulique..... Centre ouvert/  
Centre fermé

#### Orifices hydrauliques

Pression .....joint torique Boss 9/16–18 SAE

Retour.....joint torique Boss 3/4–16 SAE

Capacité de coupe .....330 mm

Vitesse de la chaîne à 30 l/min..... 1 280 m/min

Niveau de puissance acoustique ..... 106 LWA

Vibration .....4,88 m/s<sup>2</sup>

#### Masse/poids

52020556 ..... 4,06 kg (9.03 lb)

52020558 ..... 4,21 kg (9.36 lb)

#### Longueur

52020556 .....1 890 mm

52020558 .....2 200 mm

Largeur (au moteur) .....108 mm

Profondeur du corps (à la poignée)..... 152 mm

### Chaîne de scie

## **AVERTISSEMENT**

Lorsqu'un remplacement est requis, choisissez une chaîne qui :

- respecte les codes applicables de l'industrie
- est calibrée pour 1 280 m/min

L'inobservation de cette consigne pourrait entraîner des blessures graves, voire mortelles.

Pas .....8,26 mm

Calibre .....1,47 mm

## Spécifications (suite)

### Source d'alimentation hydraulique

#### **⚠️ AVERTISSEMENT**

Ne dépassez pas les maxima d'alimentation hydraulique suivants :

- Débit hydraulique : 30,3 l/min
- Réglage de la limite de pression : 138 bar
- Contre-pression : 13,8 bar

L'inobservation de cette consigne pourrait entraîner des blessures graves, voire mortelles.

Type de système hydraulique..... Centre ouvert/  
Centre fermé

#### Débit

Minimum ..... 18,9 l/min  
Recommandé..... 22,7 l/min  
Maximum ..... 30,3 l/min

Filtration..... 10 microns (nominal)

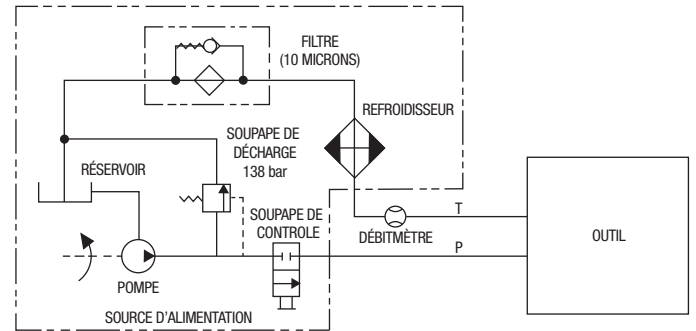
Réglage de la limite de pression ..... 138 bar

Contre-pression (maximale)\* ..... 13,8 bar

\* 13,8 bar est la contre-pression standard maximale acceptée par la HTMA (Hydraulic Tool Manufacturers Association – Association des fabricants d'outils hydrauliques). L'outil de Greenlee fonctionne parfaitement avec cette contre-pression.

1. La température de fluide hydraulique ne doit pas dépasser 60 °C. Prévoyez une capacité de refroidissement de l'huile suffisante afin que le fluide hydraulique ne chauffe pas trop.
2. Le débit hydraulique ne doit dépasser 30,3 l/min. Avant même d'utiliser l'outil, installez un débitmètre sur le tuyau de retour afin de mesurer le taux de débit hydraulique.
3. Le réglage de la soupape de décharge ne doit pas dépasser 138 bar lors du débit maximum de l'outil. Repérez l'emplacement de la soupape de décharge au sein du circuit d'alimentation afin que la pompe ne subisse pas une pression hydraulique excessive.

### Schéma hydraulique



### Fluides hydrauliques recommandés

Nous vous conseillons d'utiliser n'importe quel fluide hydraulique non-détersif dérivé du pétrole, qui correspond aux spécifications suivantes ou aux spécifications de l'association HTMA.

S.U.S à :

38 °C ..... 140 à 225

99 °C ..... 40 minimum

Point d'éclair ..... 170 °C minimum

Point d'écoulement ..... -34 °C minimum

## Rudiments de la scie à chaîne

Cette section introduit quelques principes de base portant sur l'utilisation de la scie à chaîne : Prévention des risques, compression et tension.

### PRÉVENTION DES RISQUES

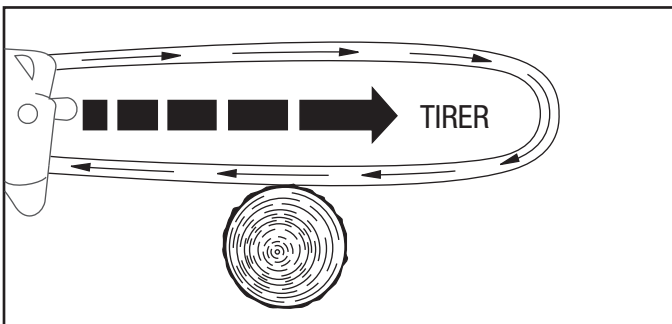
Cette scie peut couper grâce à une chaîne à lames entraînée à haute vitesse par un puissant moteur hydraulique. Lorsqu'elle est correctement utilisée, cette scie à chaîne coupe avec une grande efficacité.

Mais une utilisation incorrecte ou une interférence dans la rotation normale de la lame peut rapidement provoquer une perte de contrôle de l'outil par l'opérateur. Une telle perte de contrôle peut blesser l'opérateur. Les trois termes décrivant une perte de contrôle sont l'accrochage, le rejet et le rebond.

### Accrochage

Un accrochage peut survenir lorsque la lame située au fond de la barre est la lame en train de couper. Si la lame est subitement pincée dans le sillon de coupe, ou si elle entre en contact avec un corps étranger, comme un clou, la scie peut alors être projetée brusquement et brutalement loin de l'opérateur.

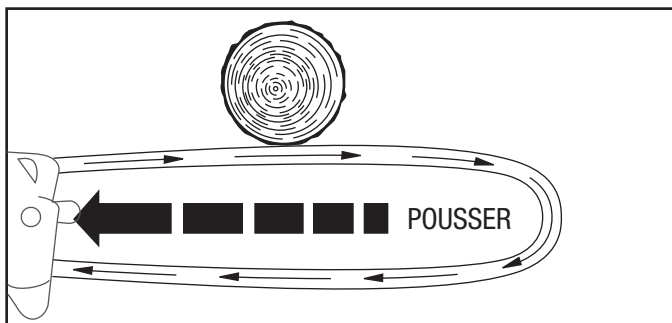
Accrochage



### Rejet

Un rejet peut survenir lorsque la lame située au-dessus de la barre est en train de couper. Si la lame est subitement pincée dans le sillon de coupe, ou si elle entre en contact avec un corps étranger, comme un clou, la scie peut alors être repoussée brusquement et brutalement vers l'opérateur.

Rejet



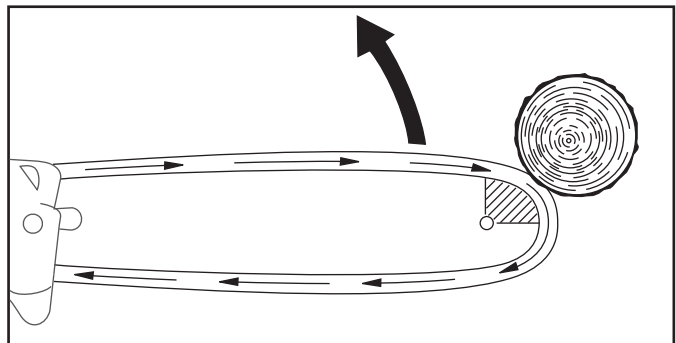
### Rebond

Le rebond est beaucoup plus dangereux que l'accrochage ou le rejet. Lors d'un rebond, toute la scie peut subitement pivoter avec force. La barre de la scie peut alors se déplacer rapidement vers le haut et vers le bas, en direction de l'opérateur.

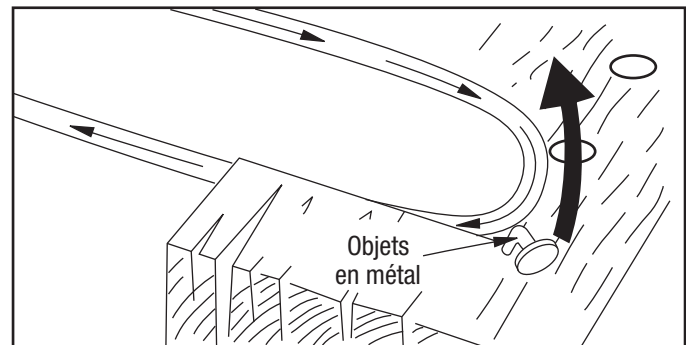
Un rebond peut survenir lorsque la chaîne tournant à l'extrémité de la barre de guidage entre en contact avec n'importe quel objet. Voici quelques causes de rebond :

- l'utilisation de l'extrémité de la barre de guidage pour couper;
- entrer en contact avec un clou ou autre objet métallique pendant la coupe;
- un contact accidentel pendant la coupe de plusieurs branches à la fois.

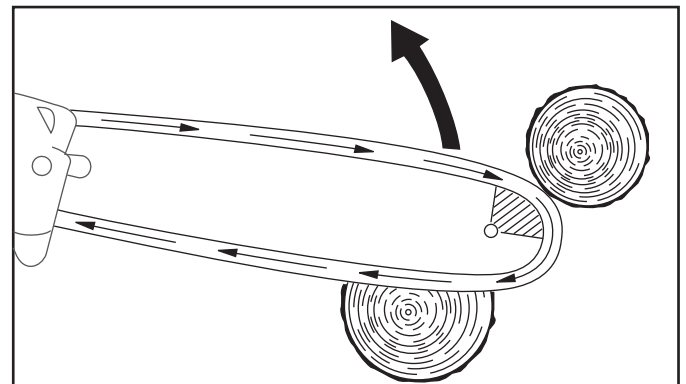
Utilisation de l'extrémité de la barre de guidage pour couper



Contact avec des objets en métal



Couper plus d'une branche à la fois



## Rudiments de la scie à chaîne (suite)

### Pour éviter l'accrochage, le rejet et le rebond

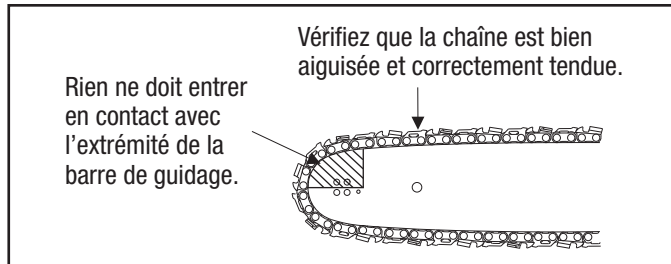
La combinaison chaîne/barre et enveloppe est conçue pour éviter ou réduire les risques et la gravité des rebonds. Assurez-vous que ces éléments sont en bon état (la chaîne est aiguisée et bien tendue, l'enveloppe n'est pas endommagée, etc.) pour bénéficier au maximum de ces caractéristiques. S'ils sont usés ou endommagés, remplacez-les avec des pièces d'origine de Greenlee.

#### Conseils généraux :

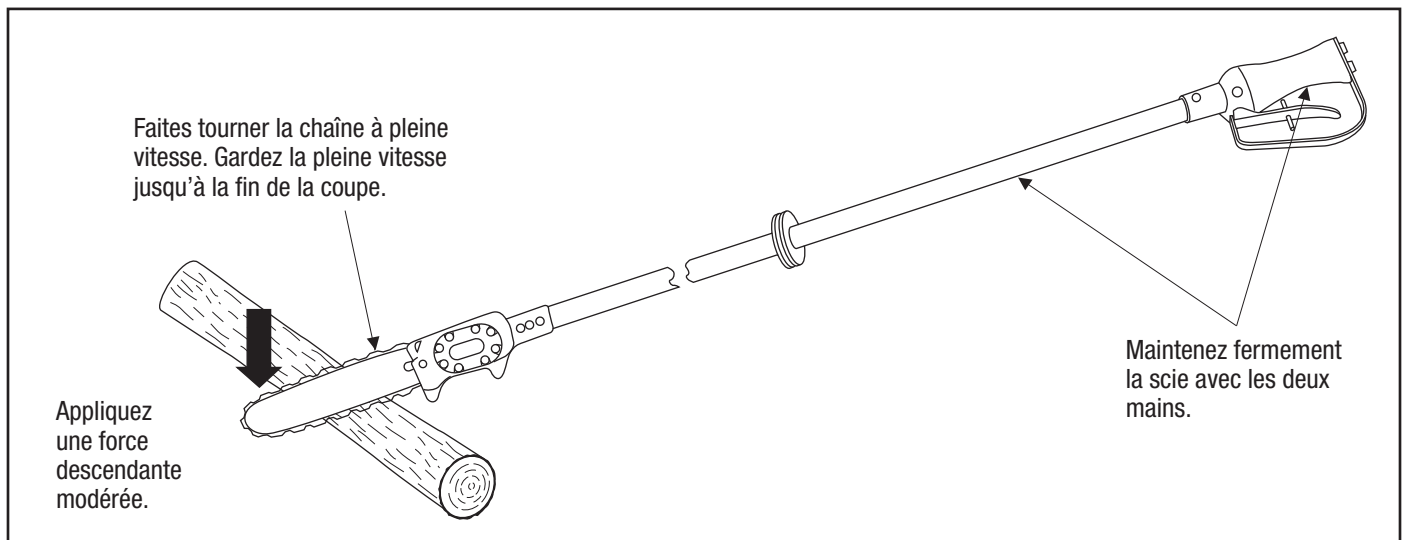
- Entretenez correctement la scie. Vérifiez que la lame est aiguisée et tendue correctement.
- Ne laissez aucun objet entrer en contact avec l'extrémité de la barre.
- Ne portez pas trop loin.
- N'utilisez pas la scie au-dessus de la hauteur de l'épaule.
- Coupez seulement une partie, une branche ou un billot à la fois.
- Soyez conscient que les morceaux de petit diamètre saisiront plus facilement la lame et produiront un accrochage ou un rebond.

#### Procédure de coupage :

- Tenez solidement la chaîne à scie avec les deux mains et maintenez une poigne ferme et sûre.
- Faites tourner la scie à chaîne à pleine vitesse avant de commencer la coupe. Maintenez la pleine vitesse jusqu'à ce que la coupe soit terminée.
- Appliquez une force descendante modérée sur la scie.
- Coupez directement à travers. N'appliquez pas de torsion sur la scie pendant la coupe.
- Surveillez le déplacement du morceau, qui pourrait pincer la scie dans le sillon de coupe.
- Surveillez qu'aucun morceau ou qu'aucune branche ne soit sous tension ou ne rebondisse une fois la coupe complétée et la tension relâchée.



#### Procédure de coupage





## Rudiments de la scie à chaîne (suite)

### Conseils relatifs à la préparation de la zone de coupe

- Préparez la zone de coupe en nettoyant les buissons, les branches, la vigne, etc.
- Enlevez les outils qui ne sont pas nécessaires et rebobinez tout tuyau hydraulique superflu.
- Examinez le moreau ou la branche pour prévoir la direction de sa chute. Assurez-vous que personne ne se trouve à proximité de la zone de coupe.
- Si vous travaillez dans un secteur municipal, planifiez la direction de la chute pour que le morceau ne tombe pas sur la voie publique, ne frappe pas un édifice adjacent, n'entre pas en contact avec des lignes sous tension, etc.
- Si l'arbre est sur un plan incliné, travaillez en amont de la trajectoire de la chute. Une branche peut rebondir ou rouler vers le bas d'une pente.

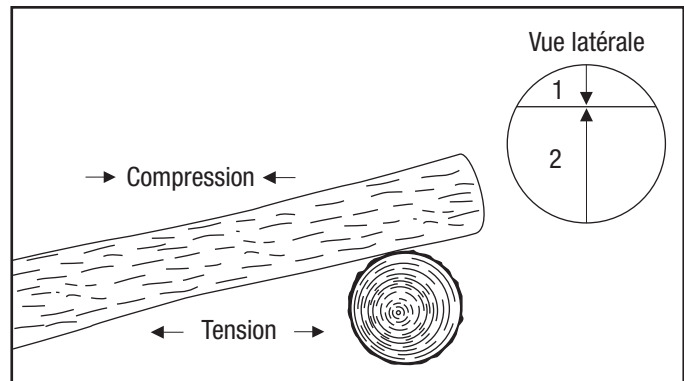
### COMPRESSION ET TENSION

Toute branche ou billot est sujet à deux forces — la compression et la tension. Pendant la coupe de la branche ou du billot, la compression tend à pousser les deux moitiés l'une vers l'autre. La tension tend à séparer les deux moitiés.

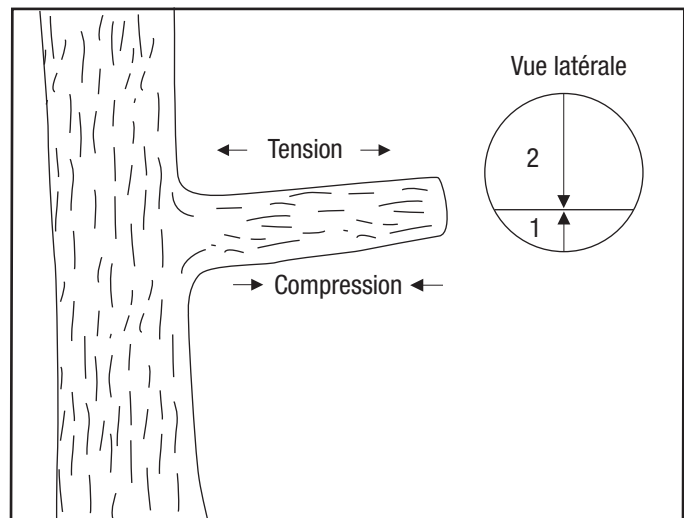
Voir les illustrations. Un billot ou un morceau supporté aux deux extrémités subit une compression par le dessus. Un billot ou un morceau supporté à une seule extrémité subit une compression par le dessous.

Effectuez la première coupe du côté de la compression. Coupez jusqu'à environ 1/3 du diamètre du billot. Effectuez la deuxième coupe du côté de la tension. Cette méthode réduit les risques de coincement de la scie durant la coupe.

Compression par le dessus



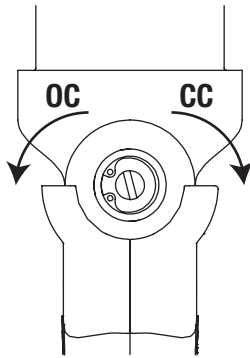
Compression par le dessous



## Montage du Super Spool™

Le Super Spool permet d'utiliser l'outil sur des systèmes hydrauliques à centre ouvert ou à centre fermé.

1. Insérez un tournevis dans le creux du tiroir.
2. Si vous utilisez :
  - un système hydraulique à centre ouvert, tournez le Super Spool dans le sens antihoraire jusqu'à l'arrêt.
  - un système hydraulique à centre fermé, tournez le Super Spool dans le sens horaire jusqu'à l'arrêt.



## Tuyaux et raccords

### Installation et entretien

Voir la publication 99930323, SAE J1273 (Tuyaux et assemblages de tuyaux).

### Pièces de remplacement

Consultez un catalogue de Greenlee ou la publication Greenlee 99910322, Dispositifs d'attache rapide, adaptateurs et tuyaux de basse pression.

## Branchement des tuyaux

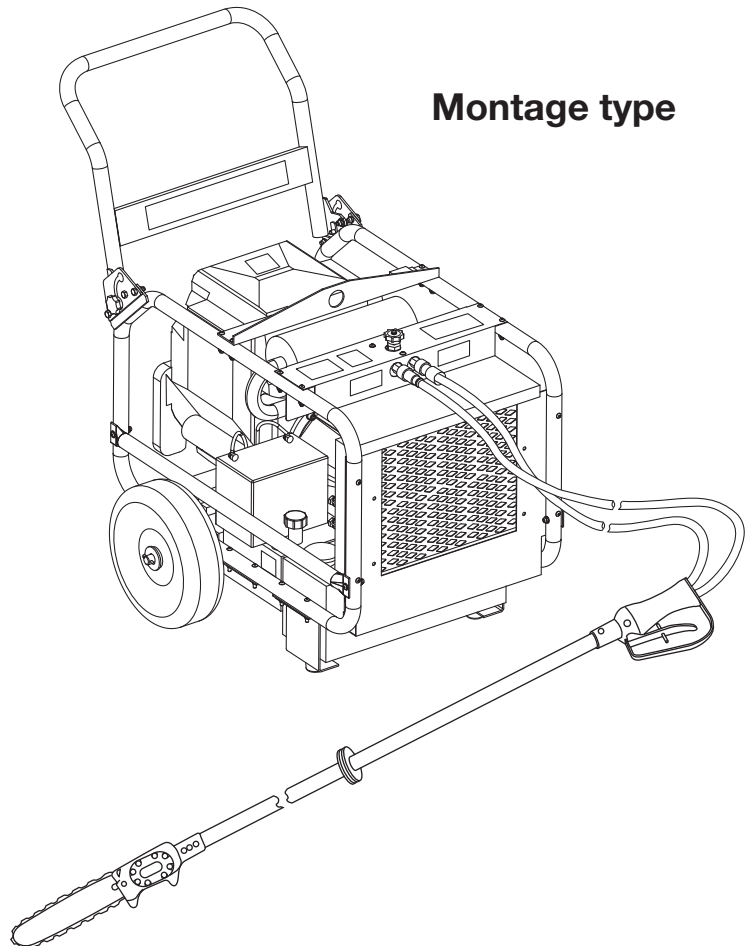
### Branchement des tuyaux

1. Placez le levier d'écoulement de la source d'alimentation hydraulique en position d'ARRÊT (OFF).
2. Coupez la source d'alimentation hydraulique.
3. Branchez le tuyau du réservoir sur l'orifice du réservoir (ou de retour) de la source d'alimentation, puis sur l'orifice du réservoir de l'outil.
4. Branchez le tuyau de pression sur l'orifice de pression ou au raccord de tuyau de l'outil, puis sur l'orifice de pression de la source d'alimentation.


### Débranchement des tuyaux


1. Placez le levier d'écoulement de la source d'alimentation hydraulique en position d'ARRÊT (OFF).
2. Coupez la source d'alimentation hydraulique.
3. Débranchez le tuyau de pression de la source d'alimentation, puis de l'outil.
4. Débranchez le tuyau du réservoir de l'outil, puis de la source d'alimentation.
5. Installez des capuchons antipoussières sur les orifices pour éviter toute contamination.


## Montage type




## Utilisation

	<h3>⚠️ AVERTISSEMENT</h3>
	<p>Risque d'électrocution :</p> <ul style="list-style-type: none"> <li>Cet outil lors de sa fabrication a été testé pour répondre à la norme OSHA 1910.269 (essai à sec). Il doit être nettoyé et entretenu de manière appropriée pour assurer des propriétés isolantes continues. Lorsque vous utilisez cet appareil à proximité d'une ligne électrique sous tension, n'utilisez que des tuyaux certifiés isolants et un équipement de protection individuelle adéquat.</li> <li>Maintenez l'extension en fibre de verre propre et sèche lorsque vous travaillez autour de lignes électriques. L'huile accumulée ou la saleté réduisent les propriétés isolantes de l'outil.</li> </ul> <p>L'inobservation de ces consignes pourrait entraîner des blessures graves, voire mortelles.</p>


	<h3>⚠️ AVERTISSEMENT</h3>
	<p>Risque d'injection sous-cutanée :</p> <ul style="list-style-type: none"> <li>N'utilisez jamais vos mains pour déterminer l'emplacement d'une fuite.</li> <li>Ne tenez jamais un tuyau ou un raccord de tuyau dans vos mains lorsque le système hydraulique est pressurisé.</li> <li>Veillez à dépressuriser le système hydraulique avant d'en effectuer l'entretien.</li> </ul> <p>Un jet d'huile sous pression peut facilement percer la peau et entraîner de graves blessures, la gangrène, voire la mort. Si vous êtes blessé par un jet d'huile, consultez immédiatement un docteur.</p>

	<h3>⚠️ AVERTISSEMENT</h3>
	<p>Le corps de la scie, la barre, la lame et les autres composants seront chauds pendant et après leur utilisation. Soyez prudent lorsque vous manipulez la scie, car les surfaces chaudes peuvent provoquer de graves brûlures.</p> <p>L'inobservation de cette consigne pourrait entraîner des blessures graves, voire mortelles.</p>

	<h3>⚠️ AVERTISSEMENT</h3>
	<p>Portez un casque de protection lorsque vous utilisez cet outil.</p> <p>L'inobservation de cette consigne pourrait entraîner des blessures graves, voire mortelles.</p>

	<h3>⚠️ AVERTISSEMENT</h3>
	<p>Avant d'utiliser cette scie, lisez et comprenez les explications suivantes de ce manuel :</p> <ul style="list-style-type: none"> <li><b>Accrochage</b> Un accrochage se produit lorsque la lame située au fond de la barre entre en contact avec un corps étranger, comme un clou, ou lorsque qu'elle est pincée dans le sillon de coupe. La scie est alors projetée brusquement et brutalement loin de l'opérateur.</li> <li><b>Rejet</b> Un rejet se produit lorsque la lame située au-dessus de la barre entre en contact avec un corps étranger, comme un clou, ou lorsque qu'elle est pincée dans le sillon de coupe. La scie est alors repoussée brusquement et brutalement vers l'opérateur.</li> <li><b>Rebond</b> Un rebond peut survenir lorsque la chaîne située à l'extrémité de la barre de guidage entre en contact avec n'importe quel objet. La barre de la scie se déplacera alors vers le haut et vers le bas, en direction de l'opérateur.</li> </ul> <p>L'inobservation de cette consigne pourrait entraîner des blessures graves, voire mortelles.</p>

	<h3>⚠️ AVERTISSEMENT</h3>
	<p>Nous vous conseillons de porter des lunettes de protection lors de l'utilisation ou de l'entretien de cet outil.</p> <p>Le fait de ne pas porter des lunettes de protection pourrait entraîner des blessures oculaires graves causées par la projection de débris ou d'huile hydraulique.</p>

	<h3>⚠️ AVERTISSEMENT</h3>
	<p>Nous vous conseillons de porter un dispositif de protection antibruit lorsque vous utilisez cet outil.</p> <p>Une exposition prolongée à des bruits élevés pourrait, à long terme, provoquer une perte de l'ouïe.</p>

## Utilisation (suite)

	<h3>⚠️ AVERTISSEMENT</h3>
	<p>Nous vous conseillons de porter un dispositif de protection des pieds lorsque vous utilisez cet outil.</p> <p>L'inobservation de cette consigne pourrait entraîner des blessures graves.</p>

<h3>⚠️ AVERTISSEMENT</h3>
<p>Ne déconnectez jamais l'outil, les tuyaux ou les raccords lorsque l'appareil est alimenté ou lorsque le liquide hydraulique est chaud, car ce dernier pourrait provoquer de graves brûlures.</p>

<h3>⚠️ AVERTISSEMENT</h3>
<p>Risque de vibration :</p> <p>Exercez seulement la pression requise pour effectuer le travail. Une pression excessive sur l'outil peut entraîner un inconfort ou un engourdissement temporaire chez l'opérateur.</p> <p>L'inobservation de cette consigne est susceptible d'entraîner des blessures graves.</p>

<h3>IMPORTANT</h3>
<ul style="list-style-type: none"> <li>• Vérifiez fréquemment le fonctionnement du graisseur automatique. Voir la section Vérification et réglage du graisseur automatique de la chaîne, dans ce manuel.</li> <li>• Vérifiez fréquemment la tension et l'affûtage de la chaîne. Réglez à la bonne tension et affûtez le cas échéant. Voir les instructions de la section Entretien de la chaîne et de la barre.</li> <li>• Vérifiez fréquemment le niveau du réservoir de fluide de la source d'alimentation. Le graisseur automatique utilise le fluide hydraulique pour lubrifier la barre et la chaîne et produit ainsi une baisse du niveau de fluide.</li> </ul>

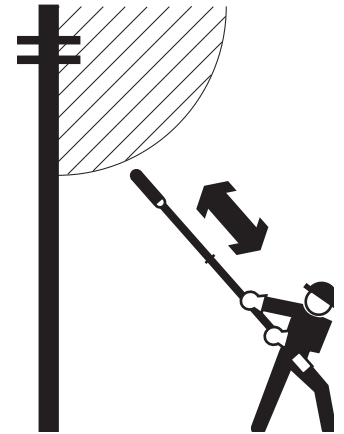
<h3>IMPORTANT</h3>
<p>Procédure d'arrêt d'urgence :</p> <ol style="list-style-type: none"> <li>1. Relâchez la gâchette.</li> <li>2. Fermez la source d'alimentation hydraulique.</li> </ol>

Ces instructions supplémentaires viennent de  
EN 50110-1 :

- Pour éviter les risques d'électrocution et éviter les blessures :
  - a) l'opérateur doit avoir les connaissances techniques requises ou l'expérience nécessaire :

**ou**

- b) l'opérateur doit travailler sous la supervision directe d'une personne ayant l'expérience ou les connaissances techniques nécessaires.



- N'utilisez pas cet outil dans des conditions environnementales défavorables. Ces conditions comprennent une tempête avec des éclairs, tout signe de tempête avec des éclairs imminents (comme du tonnerre) et une faible visibilité.

- Si des lignes électriques ou tout autre composante électrique acheminement du courant supérieur à 50 V c.a. ou 120 V c.c., assurez-vous que :

- a) les parties sous tension ne peuvent être touchées — utilisez des écrans, des barrières, une enceinte, une protection isolante

**ou**

- b) que la « zone de travail sous tension » ne peut être atteinte par des parties du corps, par l'outil ou tout autre accessoire.

La zone de travail sous tension est la distance par rapport à tout élément électrique sous tension, distance basée sur la tension acheminée par cet élément. Reportez-vous à EN 50110-1 Annexe A, pour cette information.

*Remarque : Maintenez les pieds bien au sol et gardez un bon équilibre lors de l'utilisation de l'outil. Ne portez pas trop loin. Une mauvaise assise et un manque d'équilibre peuvent empêcher de réagir de façon adéquate au mouvement normal ou imprévu de l'outil.*

1. Saisissez la poignée avant avec une main et la poignée de la gâchette avec l'autre.
2. Déplacez le verrou de sécurité de la gâchette vers l'avant et tirez-la jusqu'à ce que la scie tourne à plein régime.
3. Engagez la scie à chaîne rotative en maintenant une pression régulière et constante.

*Remarque : Coupez directement dans le bois — ne manipulez pas la scie dans le sillon de coupe.*

4. Pour arrêter la scie, relâchez la gâchette.
5. Lorsque l'outil n'est pas utilisé, coupez la source d'alimentation pour réduire la chaleur et l'usure.

## Entretien

	<h3>⚠️ AVERTISSEMENT</h3>
	<p>Nous vous conseillons de porter des lunettes de protection lors de l'utilisation ou de l'entretien de cet outil.</p> <p>Le fait de ne pas porter des lunettes de protection pourrait entraîner des blessures oculaires graves causées par la projection de débris ou d'huile hydraulique.</p>

<h3>⚠️ AVERTISSEMENT</h3>
<p>Ne changez pas les accessoires, n'inspectez pas ou ne nettoyez pas l'outil lorsqu'il est branché à une source d'alimentation. Un démarrage accidentel peut entraîner de graves blessures.</p> <p>L'inobservation de ces consignes pourrait entraîner des blessures graves, voire mortelles.</p>

## CALENDRIER

Respectez ce calendrier afin de maximiser la durée de vie de votre outil.

*Remarques : Veillez à ce que les décalcomanies soient propres et lisibles. Remplacez-les au besoin.*

*Lors de la mise au rebut de tout composant (tuyaux hydrauliques, fluide hydraulique, pièces usées, etc.) procédez en respectant les lois et les ordonnances fédérales, provinciales et locales.*

### Quotidien

1. Essuyez toutes les surfaces de l'outil.
2. Inspectez toute la chaîne avant de l'utiliser. Tendez et aiguissez la chaîne en respectant les instructions de la section Entretien de la chaîne et de la barre. Une chaîne mal aiguisée, émoussée, usée ou endommagée accroît les risques de rebond.
3. Avant d'utiliser la chaîne, vérifiez le fonctionnement du graisseur automatique, tel que recommandé dans la section Vérification et réglage du graisseur automatique de la chaîne. Un graisseur mal réglé peut accroître l'usure de la chaîne et de la barre.
4. Assurez-vous que les tuyaux hydrauliques et les raccords ne fuient pas, qu'ils ne sont ni fissurés, ni usés ou endommagés. Remplacez-les au besoin.
5. Lorsque l'outil est débranché, couvrez les orifices hydrauliques avec des capuchons antipoussières.

### Mensuel

1. Inspectez soigneusement les tuyaux et les raccords en suivant les instructions de la publication 99930323, SAE J1273 (Tuyaux et assemblages de tuyaux).
2. Effectuez l'entretien de la barre en suivant les instructions de la section Entretien de la chaîne et de la barre.

3. Faites tourner la chaîne à plein régime et relâchez la gâchette. Notez le temps que prend la chaîne pour s'arrêter complètement (temps d'arrêt). Comparez ce temps avec ceux enregistrés dans les mois précédents.

Une augmentation du temps d'arrêt indique que les composants de la soupape de la gâchette sont sales ou usés. Faites nettoyer ou réparer l'outil par un centre de service agréé de Greenlee.

### Annuel

Si les règlements de votre entreprise l'exigent, faites inspecter l'outil par un centre de service agréé de Greenlee.

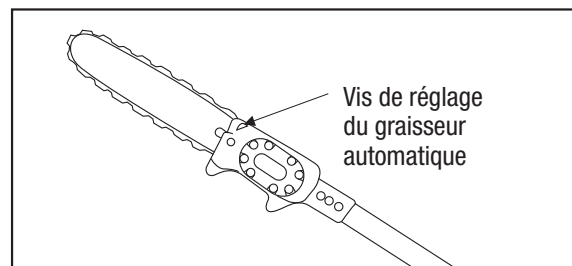
### VÉRIFICATION ET RÉGLAGE DU GRAISSEUR AUTOMATIQUE DE LA CHAÎNE

Le graisseur automatique de la chaîne fournit une quantité constante d'huile à la barre et à la chaîne lorsque que l'outil fonctionne. Une vis de réglage contrôle le débit d'huile fournie.

Avant de régler le graisseur automatique, nettoyez d'abord le passage d'huile situé à la base de la barre de guidage. De l'huile qui dégoutte de la tête de scie, du couvercle des dents de pignon ou de la barre, indique un passage d'huile bloqué.

1. Faites tourner la scie à plein régime.
  2. Si l'extrémité de la scie projette un jet d'huile, le graisseur automatique fonctionne correctement. Dans le cas contraire, réglez le graisseur.
- Remarque : Pour obtenir de meilleurs résultats, maintenez la scie de façon à ce que sa lame pointe vers une feuille de papier ou un carton propre et faites-la tourner à plein régime. Si le graisseur automatique fonctionne correctement, des gouttelettes d'huile seront projetées sur le papier ou le carton.*
3. Coupez la source d'alimentation hydraulique.
  4. Serrez à fond la vis de réglage du graisseur jusqu'à ce qu'elle soit bien logée. Desserez de 1/4 de tour dans le sens antihoraire.

#### Vis de réglage du graisseur automatique



5. Démarrez la source d'alimentation.
6. Continuez à desserrer la vis de réglage du graisseur de 1/4 de tour à chaque fois jusqu'à ce que le débit du graisseur soit réglé correctement.



## Entretien (suite)

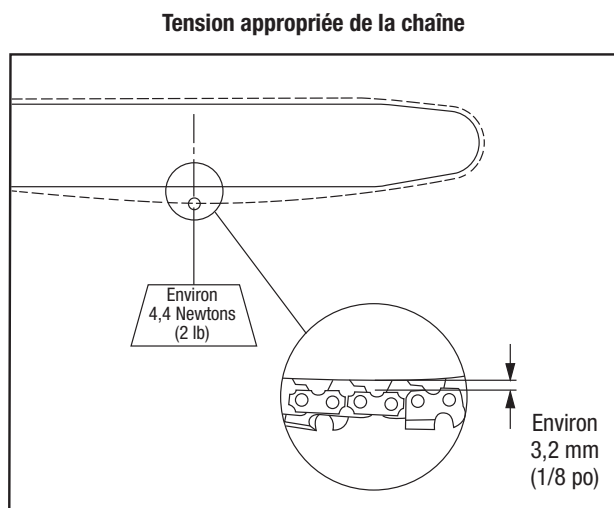
### ENTRETIEN DE LA SCIE A CHAÎNE ET DE LA BARRE

#### Rodage d'une nouvelle chaîne

1. Faites tourner la chaîne à bas régime pendant deux ou trois minutes. Vérifiez le débit du graisseur automatique.
2. Coupez la source d'alimentation hydraulique. Débranchez les tuyaux. Laissez la chaîne et la barre refroidir. Vérifiez la tension et réglez les au besoin.
3. Branchez les tuyaux. Démarrez la source d'alimentation. Effectuez quelques coupes faciles à une vitesse modérée.
4. Coupez la source d'alimentation hydraulique. Débranchez les tuyaux. Laissez la chaîne et la barre refroidir. Vérifiez la tension et réglez au besoin.
5. Branchez les tuyaux. Démarrez la source d'alimentation. Utilisez la scie pour des coupes modérées pendant les 30 minutes qui suivent.

#### Vérification de la tension de la chaîne

1. Coupez la source d'alimentation hydraulique. Débranchez les tuyaux. Laissez la chaîne et la barre refroidir.
2. Tirez la scie autour de la barre. La chaîne devrait tourner facilement autour de la barre. Si ce n'est pas le cas, consultez la section Rotation manuelle difficile de la chaîne, du tableau de dépannage.
3. Vérifiez la tension de la façon suivante :  
Tirez la scie à chaîne loin de la barre (voir l'illustration) en utilisant une force d'environ 4,4 Newtons (2 lb). Le dégagement entre la chaîne et la barre doit être d'environ 3,2 mm (1/8 po). Si le dégagement est trop grand ou trop petit, passez à la section Réglage de la tension de la chaîne.

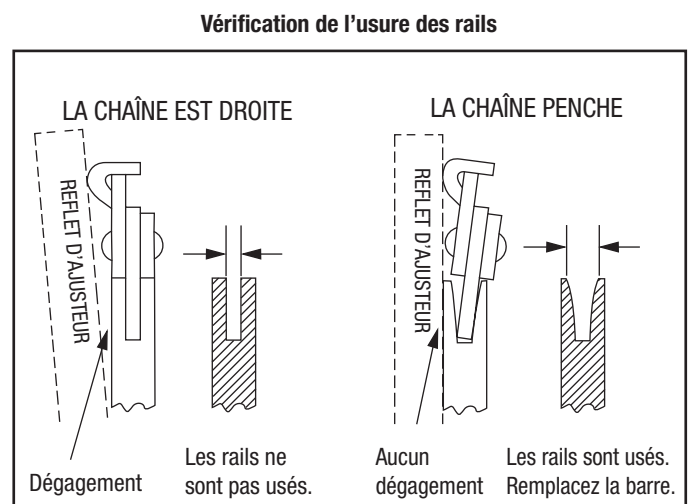


#### Réglage de la tension de la chaîne

1. Desserrez les deux vis de montage de la barre de guidage.
2. Tournez les vis de réglage de tension de la scie à chaîne jusqu'à ce que vous obteniez la tension adéquate, en procédant comme suit :  
Tirez la scie à chaîne loin de la barre (voir l'illustration) en utilisant une force d'environ 4,4 Newtons (2 lb). Le dégagement entre la chaîne et la barre doit être d'environ 3,2 mm (1/8 po).
3. Maintenez le nez de la barre vers le haut et serrez les deux écrous du bord de la barre. Serrez à un couple de 16,9 Newton (150 po-lb).
4. Vérifiez de nouveau la tension.
5. Tournez manuellement la chaîne autour de la barre. Si vous entendez un déclic, les liens d'engrenage de la chaîne touchent la barre. Répétez la procédure de Réglage de la tension de la chaîne.

#### Entretien de la barre

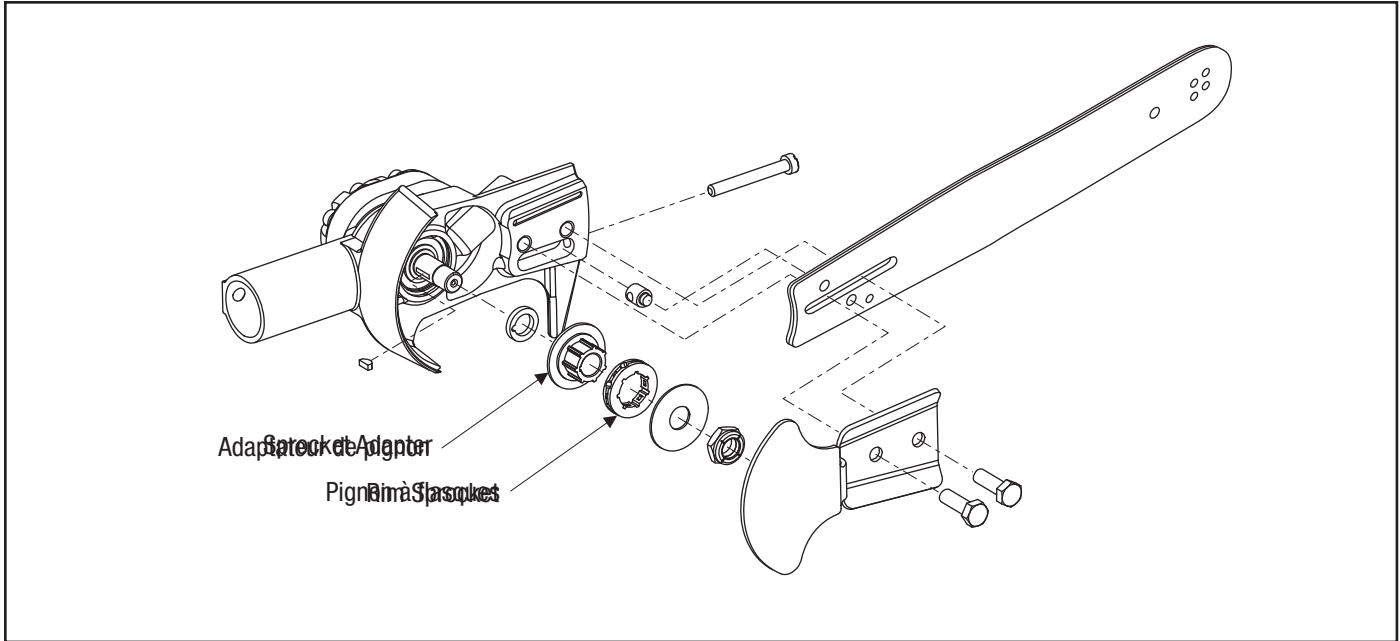
1. Marquez la partie supérieure de la barre avec un crayon gras ou un marqueur.
2. Enlevez la chaîne et la barre. Utilisez une petite brosse de nettoyage pour enlever tous les résidus de la rainure de la barre.
3. Nettoyez le passage de l'huile situé à la base de la barre guide. Utilisez tout instrument suffisamment petit pour vous permettre de nettoyer complètement ce passage.
4. Vérifiez l'usure des rails de la barre en plaçant un reflet d'ajusteur contre le côté de la barre et d'une tête de coupe.
  - Le dégagement entre la barre et le reflet d'ajusteur indique que les rails de la barre ne sont pas usés.
  - Si la chaîne penche et qu'il y a peu ou pas de dégagement entre la barre et le reflet d'ajusteur, les rails de la barre sont usés et doivent être remplacés.



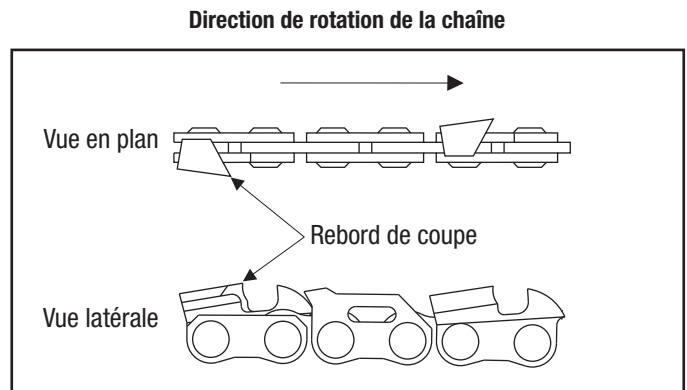
**Entretien (suite)**

5. Inspectez le pignon à flasque et l'adaptateur de pignon. Remplacez si usé ou endommagé.

**Pignon à flasques et adaptateur de pignon**



6. Utilisez les marques faites dans l'étape 1 pour installer la barre à l'envers, afin qu'elle s'use de manière égale.
7. Installez la chaîne tel qu'illustré. Réglez la tension de la chaîne tel que décrit dans la section Réglage de la tension de la chaîne.





## Entretien (suite)

### AIGUISAGE DE LA SCIE A CHAINE

La scie à chaîne doit être aiguisée selon les spécifications du fabricant. Si la scie à chaîne n'est pas bien aiguisée, le risque de rebond augmente.

Si vous utilisez un guide d'affûtage ou une meule à main, reportez-vous aux directives du fabricant fournies avec l'outil.

Toutes les scies à chaîne longue portée sont équipées des chaînes suivantes :

Voir l'illustration :	Figure A	Figure B	Figure C	Figure D	Figure E	—	Figure F	—
	<b>Pas</b>	<b>Calibre</b>	<b>Angle de la plaque latérale</b>	<b>Angle de coupe de la plaque</b>	<b>Angle d'affûtage de la plaque supérieure</b>	<b>Angle de guide d'affûtage</b>	<b>Réglage de l'indicateur de profondeur</b>	<b>Taille de la lime ronde</b>
	0,325 po	0,058 po	85°	60°	30°	10°	0,025 po	3/16 po

### Pas de la scie à chaîne

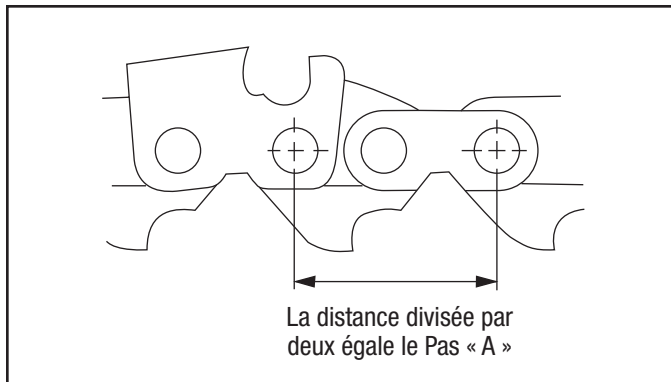
Voir la figure A. Le pas correspond à la mesure de la scie à chaîne. Un pas de chaîne est égal à la distance entre trois rivets consécutifs, divisée par deux.

Exemple : 0,65 divisé par deux est égal à un pas de 0,325.

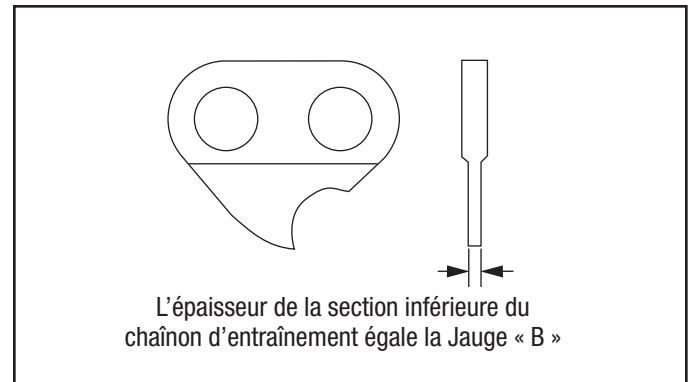
### Calibre de la scie à chaîne

Voir la figure B. Le calibre correspond à l'épaisseur de la portion du lien d'entraînement qui s'ajuste dans la rainure de la barre de guidage. La barre de guidage et le calibre de la chaîne doivent correspondre. Les normes industrielles sont 0,050, 0,058 et 0,063.

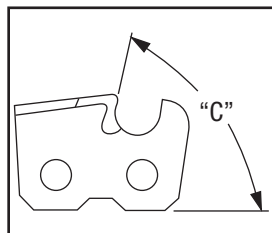
**Figure A**  
Pas



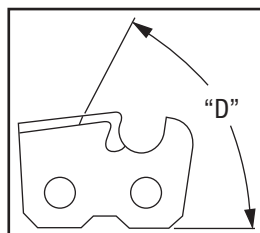
**Figure B**  
Calibre



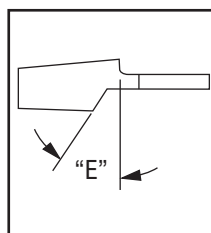
**Figure C**  
Angle de la plaque latérale



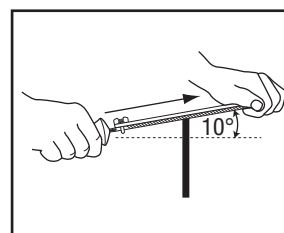
**Figure D**  
Angle de coupe de la plaque supérieure



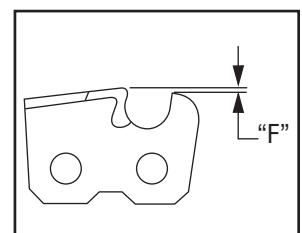
**Figure E**  
Angle d'affûtage de la plaque supérieure



**Angle de guide d'affûtage**



**Figure F**  
Réglage de l'indicateur de profondeur

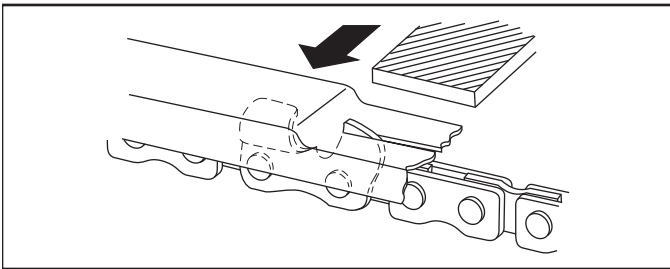


## Entretien (suite)

### Affûtage des indicateurs de profondeur

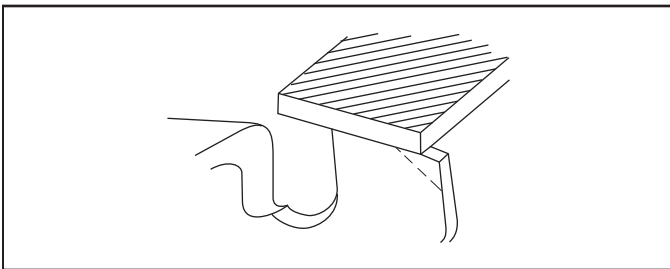
1. Si les lames sont aiguisées avec un porte lime, vérifiez et abaissez les indicateurs de profondeur avant d'aiguiser les lames.
2. Vérifiez les indicateurs de profondeur à tous les trois aiguisages.
3. Placez l'indicateur de profondeur sur la lame. Si l'indicateur projette, affûtez-le de niveau avec la partie supérieure de l'outil. Affûtez toujours à partir de l'intérieur de la scie à chaîne, vers une lame extérieure.

**Abaissement des calibres de profondeur**



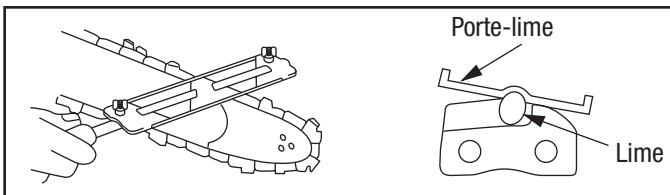
4. Arrondissez le coin avant pour maintenir la forme originale de l'indicateur de profondeur, après avoir utilisé l'outil de ce dernier. Suivez toujours les réglages d'indicateur de profondeur recommandés par le fabricant de la chaîne. Cette méthode est importante pour obtenir une performance maximale tout au long de la durée de vie de la chaîne et pour la protection contre les rebonds.

**Arrondissement des indicateurs de profondeur**

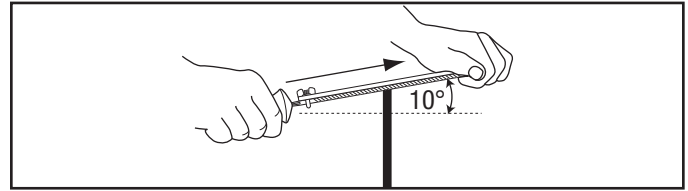


### Affûtage des lames — Généralités

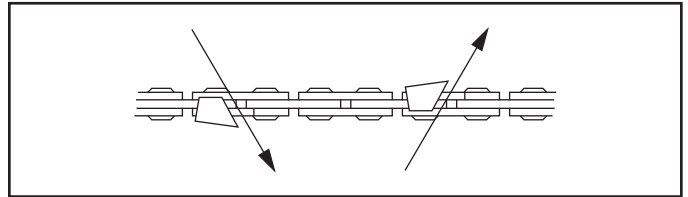
1. Supportez le support à lime sur la plaque supérieure de la lame et de l'indicateur de profondeur, tel qu'indiqué.



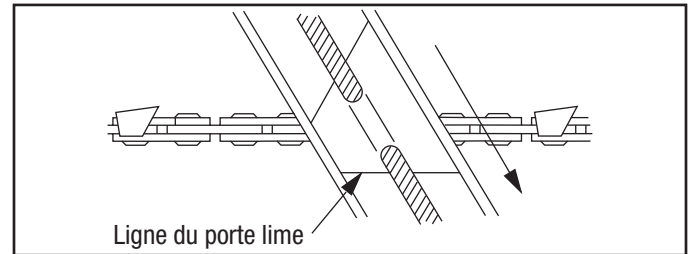
2. Guidez la lime selon un angle de 10° vers les lames.



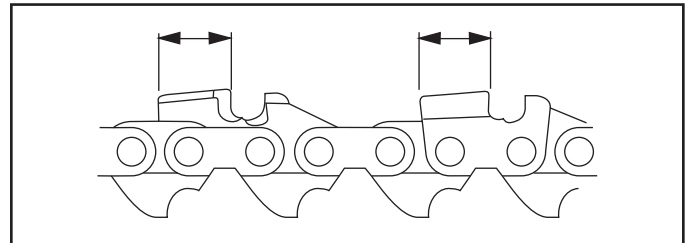
3. Affûtez les lames sur un côté de la scie à chaîne en procédant de l'intérieur vers l'extérieur. Affûtez uniquement dans un mouvement vers l'avant.



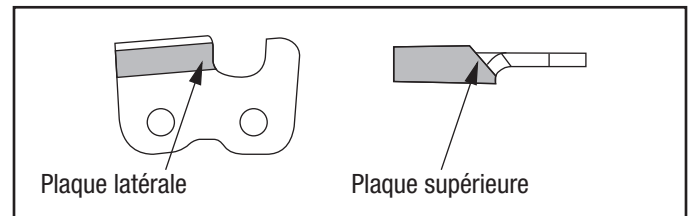
4. Maintenez la ligne du porte lime parallèle au centre de la scie à chaîne. Effectuez la procédure inverse pour l'autre côté.



5. Gardez toutes les lames à la même longueur.



6. Affûtez suffisamment pour enlever tout dommage aux rebords coupants (plaque latérale et supérieure) de la lame.



## Dépannage

Avant d'utiliser ce tableau, identifiez l'origine du problème : outil, tuyaux ou source d'alimentation et remplacez ces éléments par un outil, des tuyaux ou une source d'alimentation dont vous vous êtes assuré du bon fonctionnement.

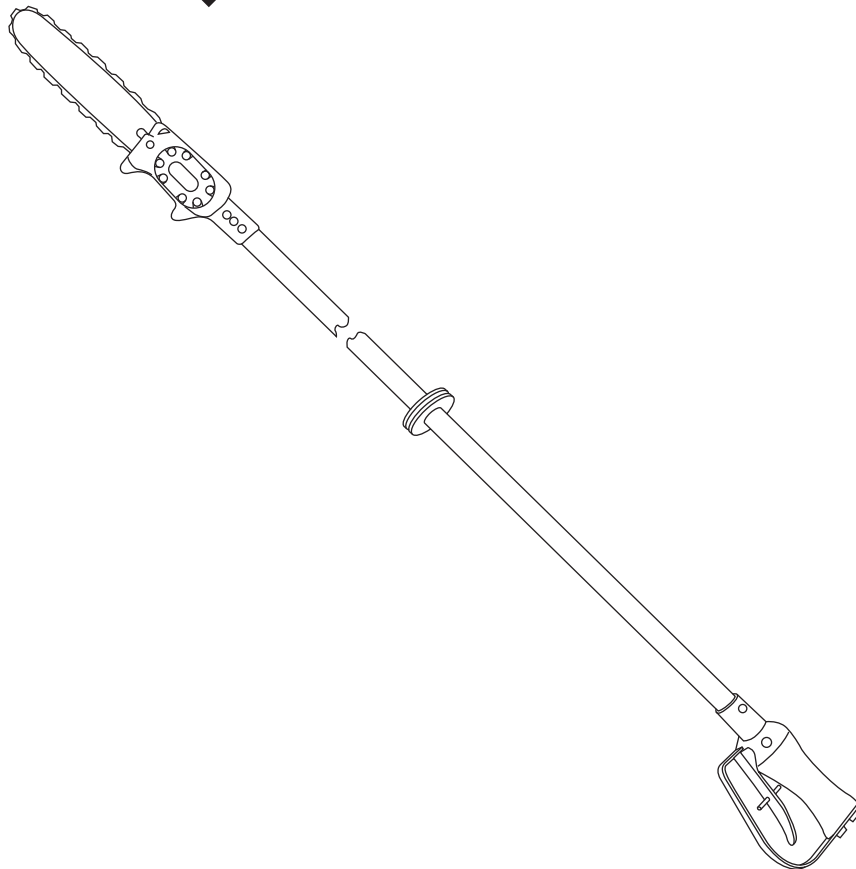
Si l'outil a causé la panne, consultez le tableau de dépannage de ce manuel. Si le problème vient de la source d'alimentation, consultez la section de dépannage du manuel d'utilisation de la source d'alimentation.

Probleme	Cause Probable	Solucion Probable
L'outil ne fonctionne pas.	La source d'alimentation ne convient pas.	Vérifiez si la source d'alimentation est conforme aux spécifications. Voir la section Spécifications.
	Le niveau du liquide hydraulique est bas.	Vérifiez le niveau de liquide hydraulique. Vérifiez s'il y a des fuites dans le système.
	La viscosité du liquide hydraulique est incorrecte.	Utilisez un liquide hydraulique de viscosité adéquate. Voir la section Spécifications.
L'outil fonctionne lentement ou de façon erratique.	Le liquide hydraulique est froid.	Laissez le liquide se réchauffer à la température de fonctionnement. Actionnez l'outil de façon intermittente pour réduire le temps de réchauffement.
	La source d'alimentation n'est pas réglée correctement.	Reportez-vous au manuel d'utilisation de la source d'alimentation. Réglez le débit et la pression de façon adéquate pour l'outil.
	Le niveau du liquide hydraulique est bas.	Vérifiez le niveau de liquide hydraulique. Vérifiez s'il y a des fuites dans le système.
	Il y a de l'air dans le système hydraulique.	Reportez-vous aux instructions du fabricant de la source d'alimentation pour évacuer l'air du système.
	La viscosité du liquide hydraulique est incorrecte.	Utilisez un liquide hydraulique de viscosité adéquate. Voir la section Spécifications.
La gâchette fonctionne difficilement ; elle colle lorsqu'elle est relâchée.	Saleté ou dépôts de gomme sur la gâchette ou la bobine.	Nettoyez et lubrifiez la gâchette et sa bobine.
La chaîne tourne dans la mauvaise direction.	Les connexions des tuyaux sont inversées au niveau de l'outil.	Dépressurisez le système hydraulique. Inversez les connexions des tuyaux.

## Dépannage (suite)

Probleme	Cause Probable	Solucion Probable
La chaîne ne coupe pas.	La chaîne est émoussée.	Enlevez la chaîne et aiguissez-la selon les directives du fabricant ou remplacez-la par une déjà aiguisée.
	Trop de tension sur la chaîne.	Réglez la tension de la chaîne. Voir la section Entretien de la chaîne et de la barre.
	Le graisseur automatique ne lubrifie pas la chaîne et la barre.	Voir la section Vérification et réglage du graisseur automatique de la chaîne.
	Chaîne installée par l'arrière.	Enlevez la chaîne et installez-la correctement.
	Usure de la barre de guidage.	Vérifiez le degré d'usure des rainures de la barre. Voir la section Entretien de la chaîne et de la barre. Si l'usure est excessive, remplacez la barre de guidage.
L'outil est chaud.	El nivel del líquido para aparatos hidráulicos está bajo.	Revise el nivel del líquido para aparatos hidráulicos. Revise que el sistema no presente fugas.
	La viscosidad del líquido para aparatos hidráulicos es incorrecta.	Utilice líquido para aparatos hidráulicos con la viscosidad correcta. Voir la section Spécifications.
	El líquido para aparatos hidráulicos está sucio.	Consulte el manual del propietario de la fuente de potencia en relación con el procedimiento para cambio de aceite para aparatos hidráulico y filtro.
La chaîne est difficile à tourner manuellement.	La pression hydraulique est bloquée dans le moteur de la scie.	Relâchez la pression hydraulique en procédant aux débranchements adéquats. Voir la section Branchement des tuyaux dans ce manuel.
	La chaîne et la barre sont mal ajustées.	Voir Réglage de la tension de la chaîne dans la section Entretien de la chaîne et de la barre de ce manuel.
	Les chaînons d'engrenage de la chaîne sont endommagés.	Enlevez la chaîne et inspectez les chaînons d'engrenage.
	La rainure de la barre est endommagée.	Enlevez la chaîne et inspectez la rainure de la barre.

# BEDIENUNGSANLEITUNG



## **Hochentaster Schaumstoffgefüllt LRF 75 und 88**

Seriencodes AMT, AMS, GLZ, GLY, HAD, und HAE



Vor Bedienung und Wartung dieses Geräts bitte alle Anweisungen und Sicherheitsinformationen in diesem Handbuch **genau lesen** und **beachten**.

Registrieren Sie dieses Produkt unter [www.greenlee.com](http://www.greenlee.com)

## Inhaltsverzeichnis

Beschreibung .....	68
Sicherheitsvorkehrungen.....	68
Zweck.....	68
Andere Publikationen .....	68
Wichtige Sicherheitsinformationen.....	69-72
Identifikation .....	73
Technische Daten .....	74-75
Allgemeine Informationen zu Kettensägen.....	76-78
Einstellung der Super Spool.....	79
Schläuche und Verbindungsstücke.....	79
Schlauchverbindungen.....	79
Typische Anwendung .....	79
Betrieb .....	80-81
Wartung .....	82-86
Fehlersuche .....	87-88
Service	
Zerlegen .....	111
Zusammenbauen .....	112-113
Abbildungen .....	114-118
Teilleiste .....	119-120

## Beschreibung

Hochentaster sind hydraulisch betriebene Kettensägen, die zum Ausputzen von Gehölz vom Boden oder von einem Kranwagen aus konzipiert sind.

Das patentierte Super Spool™-Design von Greenlee ermöglicht die Verwendung des Geräts in Hydrauliksystemen mit offener oder geschlossener Mitte. Die dielektrischen Eigenschaften der Glasfaserstange reduzieren die Gefahr eines elektrischen Schlages beim Einsatz in der Nähe aktiver elektrischer Leitungen. Zu den Sicherheitsmerkmalen zählen die Sicherheitskette gegen den Kettenrückschlag, der Kettenradschutz, der Sicherheitsring gegen Abrutschen der Hände, der Sicherheitsauslöser sowie die Auslöserabdeckung.

Die Super Spool ist unter der US-Patentnummer 4,548,229 geschützt.

## Sicherheitsvorkehrungen

Sicherheitsvorkehrungen sind bei der Verwendung und Wartung der Geräte und Ausrüstung von Greenlee entscheidend. Die vorliegende Anleitung und etwaige an den Maschinen angebrachte Markierungen geben Hinweise zur Vermeidung von Gefahren und gefährlichen Praktiken in bezug auf die Handhabung dieses Geräts. Bitte alle hier angegebenen Sicherheitshinweise beachten.

## Zweck

Dieses Handbuch soll dazu dienen, das gesamte Personal mit den sicheren Betriebs- und Wartungsverfahren sowie den technischen Daten und Teilen der folgenden Greenlee-Hydraulikgeräte vertraut zu machen:

52020556      LRF 75 Seriencodes  
                  AMT, GLZ, und HAE

52020558      LRF 88 Seriencodes  
                  AMS, GLY und HAD

Bitte dieses Handbuch allen Mitarbeitern zugänglich machen.

Ersatz-Handbücher sind auf Anfrage kostenlos erhältlich.

## Andere Publikationen

### Für Endbesitzer und -benutzer:

SAE Norm J1273 (Schlauch und Schlauchbausätze):  
Publikation 99930323

Alle technischen Daten sind Nennwerte. Bei Designverbesserungen Änderung der Nennwerte vorbehalten. Greenlee Tools, Inc. haftet nicht für Schäden, die sich aus der falschen Anwendung oder dem Missbrauch seiner Produkte ergeben.

# ***DIESES HANDBUCH BITTE AUFBEWAHREN***

## WICHTIGE SICHERHEITSINFORMATIONEN



### SICHERHEITS-ALARMSYMBOL

Dieses Symbol dient dazu, Aufmerksamkeit auf Gefahren bzw. auf unsichere Praktiken zu lenken, die Verletzungen oder Sachschäden hervorrufen könnten. Die im Hinweis enthaltenen, im folgenden näher definierten Worte geben den Schweregrad der Gefahr an. Die auf das betreffende Wort folgende Erklärung bietet Informationen über die Vermeidung oder Verhinderung der Gefahr.

#### ⚠️ GEFAHR

Unmittelbare Gefahr, die, falls nicht vermieden, zu schweren oder tödlichen Verletzungen FÜHRT.

#### ⚠️ WARNUNG

Gefahrenquellen oder unsichere Praktiken, die, falls nicht vermieden, zu schweren oder tödlichen Verletzungen führen KÖNNTEN.

#### ⚠️ VORSICHT

Gefahrenquellen oder unsichere Praktiken, die, falls nicht vermieden, zu Verletzungen oder Sachschäden führen KÖNNTEN.

### ⚠️ WARNUNG

Elektroschock-Gefahr:

- Dieses Werkzeug wurde bei seiner Herstellung nach OSHA 1910.269 (Trockentest) geprüft. Es muss ordnungsgemäß gereinigt und gewartet werden, damit seine nicht-leitenden Eigenschaften weiterhin gewährleistet sind. Bei der Verwendung dieses Geräts in der Nähe aktiver Stromleitungen dürfen nur zugelassene, nichtleitende Schläuche und eine geeignete, persönliche Schutzausrüstung verwendet werden.
- Bei der Arbeit in der Nähe von aktiven Stromleitungen die Glasfaserstange stets sauber und trocken halten. Angesammeltes Öl oder Schmutz reduzieren die Isoliereigenschaften des Geräts.
- Bei der Verwendung dieses Geräts in der Nähe aktiver Stromleitungen sind die Anweisungen der DIN EN 50110-1 zu befolgen. Die entsprechenden Abschnitte dieser Norm sind jeweils an den relevanten Stellen in diesem Handbuch angegeben.

Das Nichtbeachten dieser Warnungen könnte zu schweren oder tödlichen Verletzungen führen.



### ⚠️ WARNUNG



Vor Bedienung oder Wartung dieses Geräts bitte alle Anweisungen und Sicherheitsinformationen in diesem Handbuch genau lesen und beachten.

Das Nichtbeachten dieser Warnung könnte zu schweren oder tödlichen Verletzungen führen.

### ⚠️ WARNUNG

Hautinjektions-Gefahr:


- Undichte Stellen nicht mit der Hand prüfen.
- Bei eingeschalteter Druckversorgung den Schlauch bzw. die Verbindungsstücke nicht in der Hand halten.
- Vor der Wartung das Hydrauliksystem auf normalen Druck bringen.


Unter Druck stehendes Öl kann die Haut leicht punktieren, was zu Gangrän, schweren oder tödlichen Verletzungen führen kann. Bei einer Verletzung ist sofort ein Arzt aufzusuchen.

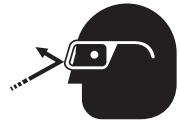






## WICHTIGE SICHERHEITSINFORMATIONEN


	<b>⚠️ WARNUNG</b>
	<p>Vor dem Betrieb dieser Kettensäge sind die entsprechenden Abschnitte über folgende Gefahrensituationen zu lesen und zu verstehen:</p> <ul style="list-style-type: none"> <li>• <b>Zug</b> Der Zug der Kettensäge kann eintreten, wenn bei einem Schnitt von oben die Kette auf ein hartes Objekt, wie etwa einen Nagel trifft, oder wenn sich das Schwert im Schnitt verkeilt. Die Säge zieht dann plötzlich und kräftig vom Bediener weg.</li> <li>• <b>Schub</b> Der Schub der Kettensäge kann eintreten, wenn bei einem Schnitt von unten die Kette auf ein hartes Objekt, wie etwa einen Nagel trifft, oder wenn sich das Schwert im Schnitt verkeilt. Die Säge schiebt dann plötzlich und kräftig zum Bediener hin.</li> <li>• <b>Kettenrückschlag</b> Der Kettenrückschlag tritt ein, wenn die Spitze der Kette auf ein hartes Objekt trifft. Die Spitze der Kettensäge schwingt dann nach oben und hinten, auf den Bediener zu. Das Nichtbeachten dieser Warnung könnte zu schweren oder tödlichen Verletzungen führen.</li> </ul>


	<b>⚠️ WARNUNG</b>
	<p>Bei der Verwendung dieses Werkzeugs ist ein Schutzhelm zu tragen. Das Nichtbeachten dieser Warnung könnte zu schweren oder tödlichen Verletzungen führen.</p>

	<b>⚠️ WARNUNG</b>
	<p>Beim Bedienen dieses Geräts stets einen Augenschutz tragen. Absplitternde Trümmer oder verspritztes Hydrauliköl könnten bei fehlendem Augenschutz schwere Augenverletzungen verursachen.</p>

	<b>⚠️ WARNUNG</b>
	<p>Beim Gebrauch dieses Geräts Ohrenschutz tragen. Langes Arbeiten bei hoher Lärmbelastung könnte zu einer Beeinträchtigung des Hörvermögens führen.</p>

	<b>⚠️ WARNUNG</b>
	<p>Beim Gebrauch dieses Geräts Fußschutz tragen. Das Nichtbeachten dieser Vorsichtsmaßnahme kann unter Umständen zu Verletzungen führen.</p>

	<b>⚠️ WARNUNG</b>
	<p>Die Sägespäne mancher Holzarten können gefährlich sein. Daher ist bei der Arbeit stets Atemschutz zu tragen, um das Einatmen dieser Sägespäne zu vermeiden. Das Nichtbeachten dieser Warnung könnte zu kurzzeitiger Atemnot oder zu schweren Verletzungen führen.</p>

	<b>⚠️ WARNUNG</b>
	<p>Bei der Verwendung dieses Werkzeugs sind Schutzhandschuhe zu tragen. Das Nichtbeachten dieser Vorsichtsmaßnahme kann unter Umständen zu Verletzungen führen.</p>

## WICHTIGE SICHERHEITSINFORMATIONEN

### ⚠️ WARNUNG

- Bei angeschlossener Druckversorgung weder Zubehörteile auswechseln noch das Gerät prüfen, einstellen, reinigen oder die Kette schleifen. Ein versehentliches Ingangsetzen des Geräts könnte zu schweren Verletzungen führen.
- Die Griffe sauber, trocken und frei von Hydraulikflüssigkeit halten.
- Das Gerät stets fest mit beiden Händen anfassen. Darauf achten, daß Daumen und Finger stets den Griff umklammern. Es könnte zu schweren Verletzungen kommen, wenn ein Bediener das Gerät nicht unter Kontrolle hält.
- Den Auslöser nicht in der EIN-Position verriegeln. Der Bediener kann das Gerät nicht ausschalten, wenn der Auslöser verriegelt ist.
- Den Sicherheitsauslöser des Geräts nicht entfernen oder umgehen. Ein versehentliches Ingangsetzen des Geräts könnte zu schweren Verletzungen führen.
- Schutzhandschuhe beim Handhaben oder Einstellen der Kette tragen. Die Kette kann auch bei Stillstand des Geräts Schnittwunden verursachen.

Das Nichtbeachten dieser Warnungen könnte zu schweren oder tödlichen Verletzungen führen.

### ⚠️ WARNUNG



Das Gehäuse der Säge, die Schiene, die Kette und andere Komponenten können während des und nach dem Betrieb heiß sein. Beim Umgang mit der Säge vorsichtig vorgehen. Heiße Oberflächen können zu schweren Verbrennungen führen.

Das Nichtbeachten dieser Warnung könnte zu schweren oder tödlichen Verletzungen führen.

### ⚠️ WARNUNG

Transport der Kettensäge:

- Vollkommenen Stillstand der Kette abwarten.
- Die Kette abkühlen lassen.
- Einen entsprechenden Kettenschutz oder eine Abdeckung der Schiene verwenden.
- Die Säge stets mit dem Schwert nach hinten tragen.

Das Nichtbeachten dieser Warnungen könnte zu schweren oder tödlichen Verletzungen führen.

### ⚠️ WARNUNG

Gerät, Schläuche und Verbindungsstücke nicht vom Gerät trennen, solange es an eine Druckversorgung angeschlossen oder das Hydrauliköl heiß ist. Heiße Hydraulikflüssigkeit könnte schwere Verbrennungen verursachen.

### ⚠️ WARNUNG

Den Hydraulikfluß nicht umkehren. Der Betrieb bei umgekehrtem Hydraulikfluß kann zu Störungen im Gerät führen. Den Druckschlauch und den Rückflußschlauch (Tankschlauch) an die entsprechenden Anschlüsse anschließen.

### ⚠️ VORSICHT

- Dieses Gerät nur zum Ausputzen und Ausholzen von Bäumen verwenden. Zweckfremde Anwendung kann unter Umständen zu Verletzungen oder Sachschaden führen.
- Das Gerät vor Inbetriebnahme überprüfen. Abgenutzte, beschädigte oder fehlende Teile umgehend auswechseln. Ein beschädigtes oder nicht ordnungsgemäß montiertes Gerät kann versagen und in der Nähe befindliches Personal verletzen.
- An allen Einsatztagen die Hydraulikschläuche und Verbindungsstücke überprüfen. Falls undichte Stellen, Rißbildung, Abnutzung oder Schäden offensichtlich sind, sofort austauschen. Beschädigte Schläuche und Verbindungsstücke können versagen und zu Verletzungen oder Sachschäden führen.
- Darauf achten, daß das nicht direkt mit dem Gerät arbeitende Personal sowie Passanten sich vor der Inbetriebnahme aus dem Arbeitsbereich entfernt hat. Umstehendes Personal kann durch herabfallende Baumteile verletzt werden.

Das Nichtbeachten dieser Vorsichtsmaßnahmen kann unter Umständen zu Verletzungen oder Sachschäden führen.

## WICHTIGE SICHERHEITSINFORMATIONEN

### **▲ VORSICHT**

Hydrauliköl kann Hautreizungen auslösen.

- Mit dem Gerät und den Schläuchen vorsichtig umgehen, um einen Kontakt der Haut mit dem Hydrauliköl zu vermeiden.
- Im Falle eines versehentlichen Kontakts der Haut mit Hydrauliköl die betroffenen Stellen sofort reinigen, um das Öl zu entfernen.

Das Nichtbeachten dieser Vorsichtsmaßnahmen kann unter Umständen zu Verletzungen führen.

### **▲ VORSICHT**

Vibrationsgefahr:

Nur den zum Ausführen der Arbeiten nötigen Druck ausüben. Zu große Druckauswirkung auf den Drehbohrhammer kann beim Bediener Schmerzen bzw. vorübergehende Gefühllosigkeit hervorrufen.

Das Nichtbeachten dieser Vorsichtsmaßnahme kann unter Umständen zu Verletzungen führen.

### **WICHTIG**

- Die einwandfreie Funktion der automatischen Schmiervorrichtung regelmäßig prüfen. Siehe dazu den Abschnitt „Prüfen und Einstellen der automatischen Schmiervorrichtung“ in diesem Handbuch.
- Die Kette regelmäßig auf korrekte Spannung und Schärfe prüfen. Gegebenenfalls nachspannen und schärfen. Siehe dazu die Anweisungen unter „Wartung von Kette und Schiene“.
- Den Flüssigkeitsstand der Druckversorgung regelmäßig prüfen. Die automatische Schmiervorrichtung verwendet zur Schmierung von Kette und Schiene Hydraulikflüssigkeit, was zu einem Abfallen des Flüssigkeitsstandes führt.

### **WICHTIG**

Verfahren zum Trennen der Hydraulikschläuche, Verbindungsstücke und Komponenten:

1. Den Flußhebel an der Hydraulik-Druckversorgung auf AUS stellen.
2. Die Druckversorgung anhalten.
3. Die Schritte unter „Schläuche trennen“ ausführen, um den Aufbau eines Überdrucks zu vermeiden. Falls sich bereits ein Druck aufgebaut hat, die Schläuche, Verbindungsstücke und Komponenten langsam lockern.

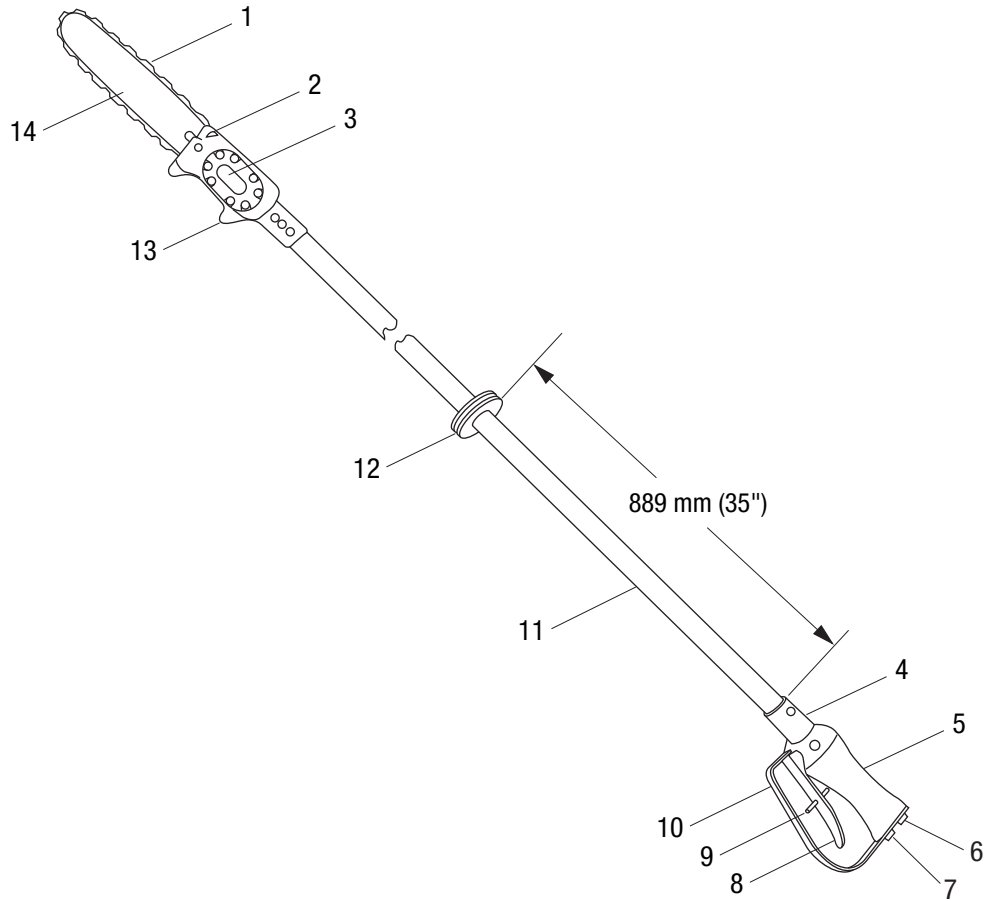
### **WICHTIG**

Vorgang zur Notausschaltung:

1. Den Auslöser loslassen.
2. Die Hydraulik-Druckversorgung abstellen.

*Hinweis: Sämtliche Etiketten sauber und lesbar halten. Wenn nötig, Etiketten durch neue ersetzen.*

**Identifikation**



**Hochentaster**

- |                                    |  |
|------------------------------------|--|
| 1. Kettensäge                      | 8. Auslöser                                    |
| 2. Automatische Schmiervorrichtung | 9. Bügel des Sicherheitsauslösers              |
| 3. Hydraulik-Getriebemotor         | 10. Auslöserschutz oder Abdeckung              |
| 4. Seriennummer                    | 11. Rohrkombination, schaumstoffgefüllt        |
| 5. Griff                           | 12. Sicherheitsring gegen Abrutschen der Hände |
| 6. Rückflußanschluß                | 13. Anschlagsskralle                           |
| 7. Druckanschluß                   | 14. Schiene                                    |

## Technische Daten

### Hochentaster

Art des Hydrauliksystems..... Offene Mitte oder geschlossene Mitte

#### Hydraulik-Anschlüsse

Druckanschluß .....Dichtungsring 9/16–18 SAE Boss

Rückflußanschluß.....Dichtungsring 3/4–16 SAE Boss

Schnittiefe .....330 mm

Kettengeschwindigkeit bei 30 l/min ..... 1280 m/min

Schallpegel..... 106 L-gewichtet

Vibrationen .....4,88 m/s<sup>2</sup>

#### Masse/Gewicht

52020556 ..... 4,06 kg

52020558 ..... 4,21 kg

#### Länge

52020556 ..... 1890 mm

52020558 .....2200 mm

Breite (auf Motorhöhe).....108 mm

Gehäusetiefe (auf Griffhöhe)..... 152 mm

### Sägekette

## **WARNUNG**

Im Falle eines Austausches der Sägekette darauf achten, daß die neue Kette:

- Den entsprechenden branchenüblichen Sicherheitsvorschriften entspricht,
- Eine Nenngeschwindigkeit von mind. 1280 m/min aufweist.

Das Nichtbeachten dieser Warnung könnte zu schweren oder tödlichen Verletzungen führen.

Teilung .....8,26 mm

Treibglieddicke .....1,47 mm

## Technische Daten (Fortsetzung)

### Hydraulische Stromquelle

#### **⚠️ WARNUNG**

Die folgenden zulässigen Höchstwerte der Hydraulik-Stromquelle nicht überschreiten:

- Hydraulikfluß: 30,3 l/min.
- Überdruckeinstellung: 138 Bar
- Staudruck: 13,8 Bar

Das Nichtbeachten dieser Warnung könnte zu schweren oder tödlichen Verletzungen führen.

Art des Hydrauliksystems..... Offene Mitte oder geschlossene Mitte

#### Fluß

Mindestfluß..... 18,9 l/min.

Empfohlener Fluß ..... 22,7 l/min.

Höchstfluß ..... 30,3 l/min.

Filtrierung..... 10 Mikron (Nennwert)

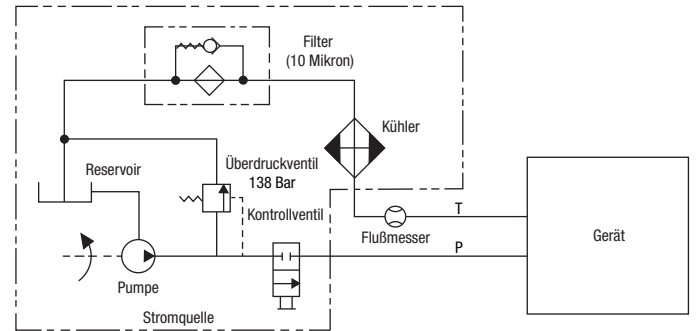
Überdruckeinstellung ..... 138 Bar

Staudruck (zulässiger Höchstwert)\* ..... 13,8 Bar

\* 13,8 Bar ist die unter den Mitgliedern der „Hydraulic Tool Manufacturers Association“ vereinbarte Norm für den Staudruck. Greenlee Pumpen halten diese Norm ein, das heißt, sie funktionieren bei diesem Höchstwert zufriedenstellend.

1. Die Höchsttemperatur der Hydraulikflüssigkeit darf 60°C nicht überschreiten. Es muß eine zureichende Ölkühlkapazität vorhanden sein, um die Temperatur der Hydraulikflüssigkeit entsprechend zu begrenzen.
2. Der Hydraulikfluß darf 30,3 l/min. nicht überschreiten. Bitte einen Flußmesser in die Rückflußleitung einbauen, um die Rate des Hydraulikflusses zu messen, bevor die Pumpe in Betrieb genommen wird.
3. Die Einstellung des Überdruckventils darf 138 Bar während der Höchstflußrate der Pumpe nicht überschreiten. Das Überdruckventil im Ansaugkreis finden, um übermäßigen Hydraulikdruck auf die Pumpe zu verhindern.

### Hydraulik-Schaltplan



### Empfohlene Hydraulikflüssigkeiten

Es sollte eine nicht detergene, auf Petroleumbasis hergestellte Hydraulikflüssigkeit verwendet werden, die den folgenden technischen Daten bzw. den technischen Daten der „Hydraulic Tool Manufacturers Association“ entspricht.

S.U.S. bei:

38 °C ..... 140 bis 225

99 °C ..... min. 40

Flammpunkt ..... min. 170 °C

Stockpunkt ..... min. -34 °C

## Allgemeine Informationen zu Kettensägen

Dieser Abschnitt enthält einige allgemeine Informationen über die Verwendung von Kettensägen: Vermeidung von Gefahrensituationen, sowie Spannung und Zug.

### VERMEIDUNG VON GEFAHRENSITUATIONEN

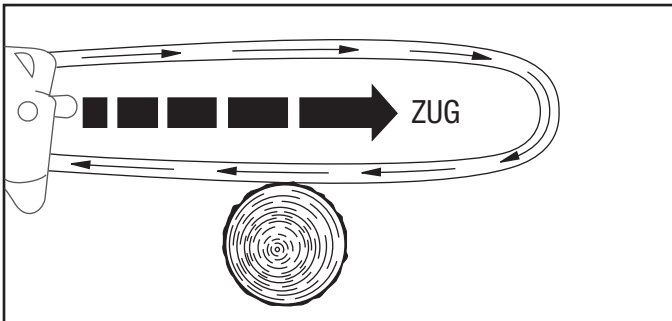
Der Schneidevorgang bei dieser Kettensäge erfolgt über eine Sägekette, die durch einen Hydraulikmotor auf hohe Drehzahl gebracht wird. Bei vorsichtiger und korrekter Anwendung ist die Kettensäge ein hocheffizientes Sägewerkzeug.

Bei unsachgemäßer Anwendung, oder wenn die normale Drehung der Sägekette durch ein Objekt oder durch Druck behindert wird, kann der Bediener plötzlich und rasch die Kontrolle über die Säge verlieren. Dies kann zu schweren Verletzungen des Bedieners führen. Drei Arten von plötzlichen Bewegungen der Kettensäge können zu einer solchen Situation führen: ein Zug weg vom Bediener, ein Schub zum Bediener hin, sowie der Kettenrückschlag.

#### Zug vom Bediener weg

Diese Situation kann eintreten, wenn mit der Unterkante der Kette geschnitten wird. Wird die Kette plötzlich im Sägespalt eingeklemmt oder trifft sie auf einen Fremdkörper wie etwa einen Nagel, kann die Säge eine plötzliche Zugbewegung vom Bediener weg ausführen.

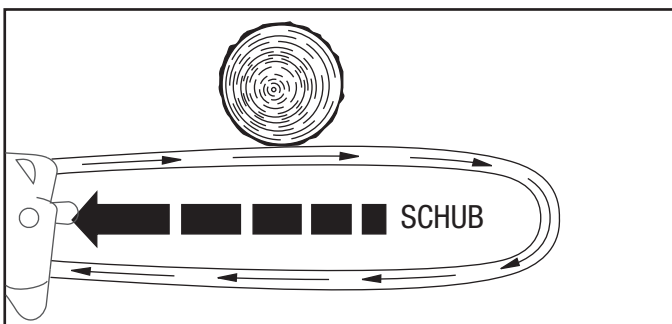
Zug vom Bediener weg



#### Schub zum Bediener hin

Diese Situation kann eintreten wenn mit der Oberkante der Kette geschnitten wird. Wird die Kette plötzlich im Sägespalt eingeklemmt oder trifft sie auf einen Fremdkörper wie etwa einen Nagel, kann die Säge eine plötzliche Schubbewegung zum Bediener hin ausführen.

Schub zum Bediener hin



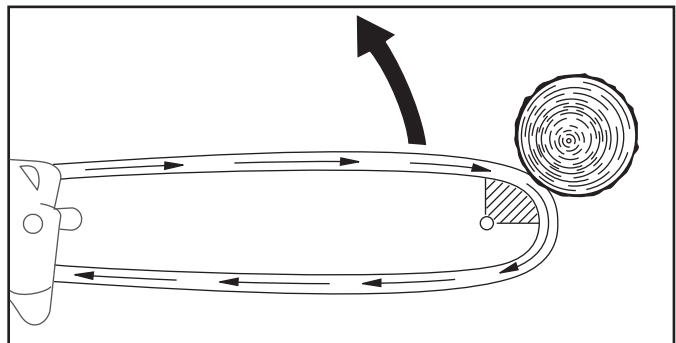
#### Kettenrückschlag

Der Kettenrückschlag ist weitaus gefährlicher als der Zug oder der Schub der Kettensäge. Bei einem Kettenrückschlag kann die gesamte Säge plötzlich und mit äußerster hoher Kraft in eine Rotationsbewegung gelangen. Die Spitze des Schwerts schwingt beim Kettenrückschlag nach oben und hinten, auf den Bediener zu.

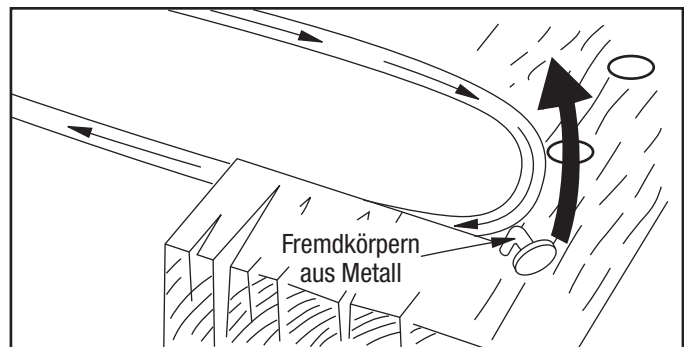
Der Kettenrückschlag tritt ein, wenn die Spitze des Kettensägenschwerts beim Sägen auf etwas trifft. Hier einige Ursachen für einen Kettenrückschlag:

- Sägen mit der Spitze der Kette.
- Kontakt mit einem Nagel oder einem anderen Fremdkörper während des Sägens.
- Unbeabsichtigter Kontakt beim Sägen von mehreren Ästen.

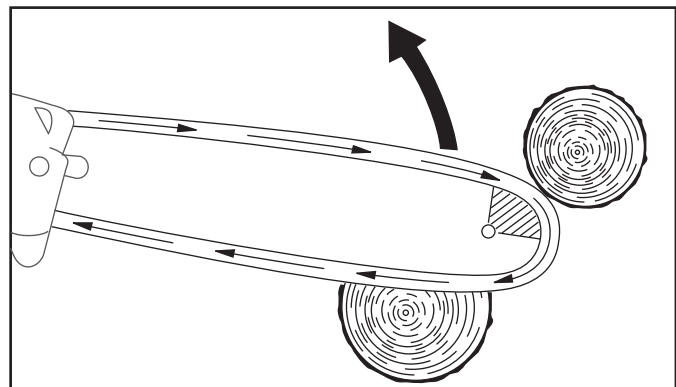
Sägen mit Kettenspitze



Kontakt mit Fremdkörpern aus Metall



Sägen von mehreren Ästen





## Allgemeine Informationen zu Kettensägen (Fortsetzung)

### Vermeiden von Zug, Schub und Kettenrückschlag

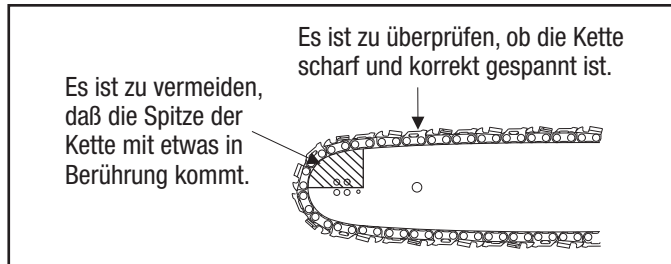
Die Kombination von Kette und Schiene sowie die Abdeckung sollen das Eintreten sowie die Stärke des Kettenrückschlags vermeiden bzw. reduzieren. Daher ist darauf zu achten, daß diese Elemente in gutem Gesamtzustand sind (Kette stets geschärft und korrekt gespannt, Abdeckung nicht beschädigt etc.). Dadurch können diese Sicherheitseinrichtungen umfassenden Schutz gewähren. Gegebenenfalls verschlissene oder beschädigte Teile mit Greenlee-Ersatzteilen ersetzen.

#### Allgemeine Hinweise:

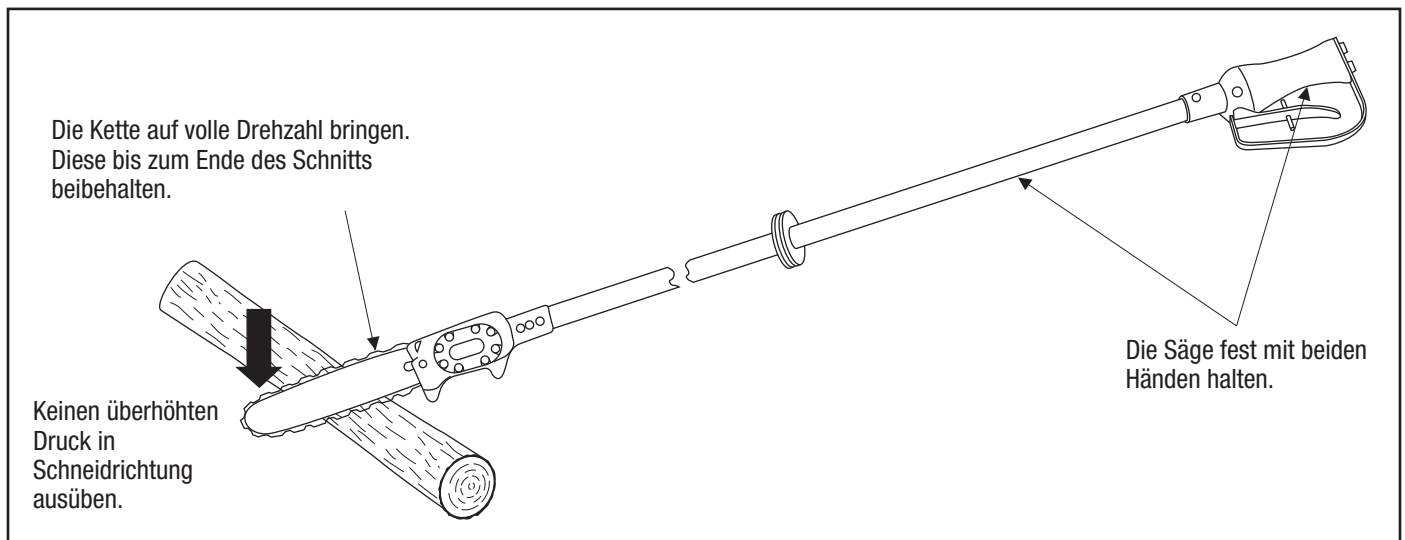
- Die Säge ist korrekt zu warten. Es ist zu überprüfen, ob die Kette scharf und korrekt gespannt ist.
- Es ist zu vermeiden, daß die Spitze der Kette mit etwas in Berührung kommt.
- Die Arme nicht zu weit nach vorne strecken.
- Die Kettensäge niemals über Schulterhöhe verwenden.
- Immer nur EINEN Stamm, Ast oder Zweig schneiden.
- Dünne Äste oder Zweige verfangen sich leichter in der Kette und verursachen somit leichter einen Zug oder Kettenrückschlag.

### Vorgehensweise beim Sägen:

- Die Kettensäge mit beiden Händen fest und sicher halten.
- Vor dem Ansetzen die Kette auf volle Drehzahl kommen lassen. Die volle Drehzahl bis zum Ende des Schnitts beibehalten.
- Keinen überhöhten Druck in Schneidrichtung ausüben.
- Schnitte stets gerade führen. Die Säge auf keinen Fall im Schnitt drehen.
- Auf mögliche Bewegungen des Astes achten, da dies die Säge klemmen kann.
- Darauf achten, daß Äste oder Zweige nach dem Durchsägen hinaufschnellen können, da deren Spannung plötzlich freigegeben wird.



### Vorgehensweise beim Sägen



## Allgemeine Informationen zu Kettensägen (Fortsetzung)

### Hinweise zur Vorbereitung des Arbeitsumfelds

- Vor dem Sägen Gesträuch, Unterholz, Zweige etc. beseitigen.
- Unnötige Werkzeuge und Geräte entfernen. Zu lange Hydraulikschläuche aufrollen.
- Die Fallrichtung des Astes oder Zweiges einschätzen. Sicherstellen, daß sich im Fallbereich keine Personen aufhalten.
- Bei der Arbeit im städtischen Bereich ist die Fallrichtung so einzurichten, daß der Ast nicht auf die Straße fällt und nicht auf ein Gebäude, eine Stromleitung usw. trifft.
- Steht der Baum in Hanglage, so ist stets über der Fallrichtung (bergauf) zu arbeiten. Ein fallender Ast springt oft mehrmals vom Boden zurück oder rollt den Hang hinab.

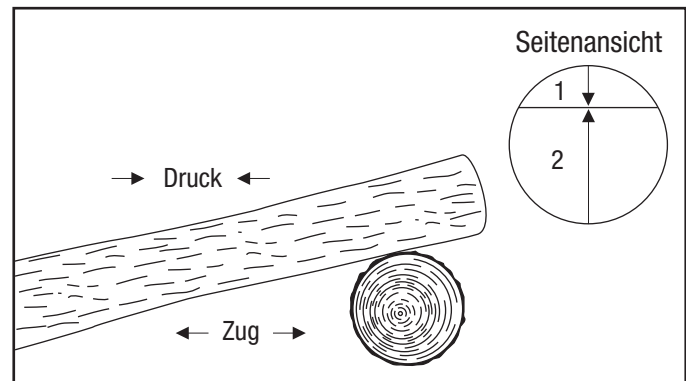
### ZUG UND DRUCK

Jeder Stamm oder Ast hat zwei Kräfteinwirkungen: Zug und Druck. Beim Durchsägen dieses Astes wirkt die Druckkraft, indem sie die beiden Asthälften gegeneinander drückt. Der Zug bewirkt ein Auseinanderziehen beider Hälften.

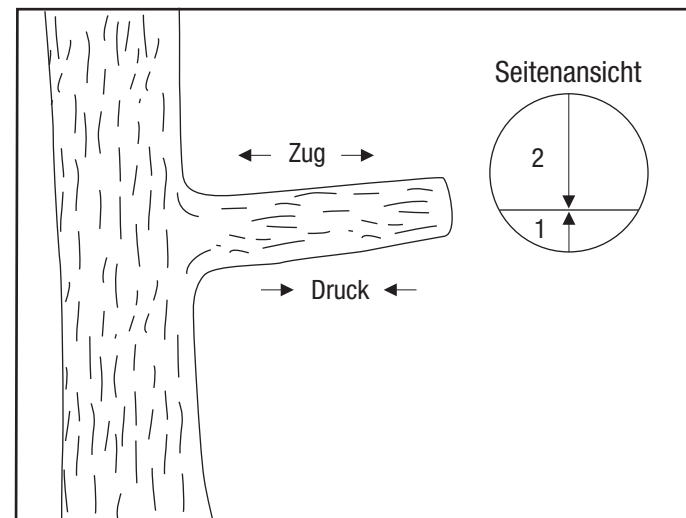
Siehe Abbildungen. Bei einem Ast oder Stamm, der auf beiden Enden aufliegt, befindet sich der Druckbereich oben. Bei einem Ast oder Stamm, der nur an einem Ende aufliegt oder gehalten wird, befindet sich der Druckbereich unten.

Der erste Schnitt ist stets auf der Druckseite anzubringen. Dabei ist der Stamm etwa 1/3 durchzusägen. Der zweite Schnitt ist dann auf der Zugseite anzubringen. Dadurch kann zumeist vermieden werden, daß sich die Säge im Schnitt verklemmt.

**Druck oben**



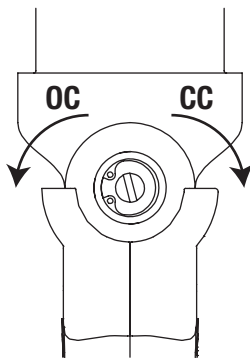
**Compresión en la parte inferior**



## Einstellung der Super Spool™

Dank der Super Spool kann dieses Gerät wahlweise für Open-Center- bzw. Closed-Center-Hydrauliksysteme eingesetzt werden.

1. Einen Schraubenzieher in die Vertiefung an der Spule einführen.
2. Bei Verwendung eines:
  - Open-Center-Hydrauliksystems die Super Spool bis zum Anschlag nach links (entgegen dem Uhrzeigersinn) drehen.
  - Closed-Center-Hydrauliksystems die Super Spool bis zum Anschlag nach rechts (im Uhrzeigersinn) drehen.



## Schläuche und Verbindungsstücke

### Installation und Wartung

Siehe Publikation 99930323, SAE J1273 (Schlauch und Schlauchbausätze).

### Ersatzteile

Siehe Katalog von Greenlee oder Greenlee-Publikation 99910322, Schnellkupplungen, Adapter und Schläuche für Niederdruck.

## Schlauchverbindungen

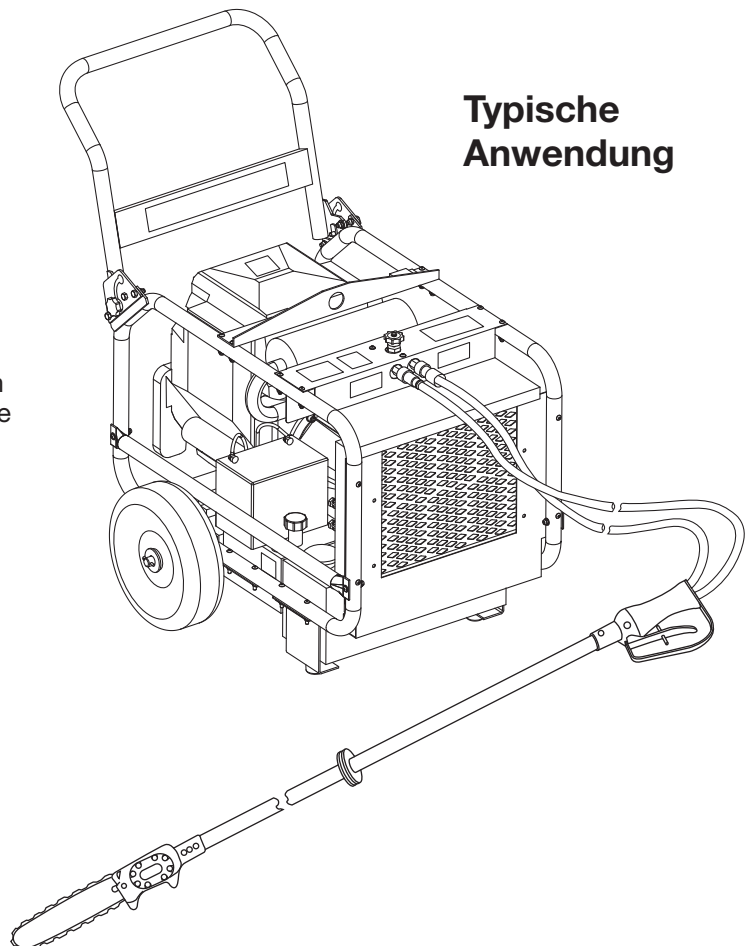
### Schläuche anschließen

1. Den Flußhebel an der Hydraulik-Druckversorgung auf AUS stellen.
2. Die Hydraulik-Druckversorgung abstellen.
3. Den Rückflußschlauch (Tankschlauch) zuerst an den Rückfluß-/Tankanschluß an der Druckversorgung und dann an den Rückfluß-/Tankanschluß am Gerät anschließen.
4. Den Druckschlauch an den Druckanschluß oder die Schlauchkupplung am Gerät und zuletzt an den Druckanschluß an der Druckversorgung anschließen.


### Schläuche trennen


1. Den Flußhebel an der Hydraulik-Druckversorgung auf AUS stellen.
2. Die Hydraulik-Druckversorgung abstellen.
3. Den Druckschlauch zuerst von der Druckversorgung und dann vom Gerät trennen.
4. Den Rückfluß-/Tankschlauch vom Gerät und zuletzt von der Druckversorgung trennen.
5. Staubkappen über den Anschlüssen anbringen, damit eine Verschmutzung vermieden wird.


## Typische Anwendung





## Betrieb


	<b>⚠️ WARNUNG</b>
	<p>Elektroschock-Gefahr:</p> <ul style="list-style-type: none"> <li>• Dieses Werkzeug wurde bei seiner Herstellung nach OSHA 1910.269 (Trockentest) geprüft. Es muss ordnungsgemäß gereinigt und gewartet werden, damit seine nicht-leitenden Eigenschaften weiterhin gewährleistet sind. Bei der Verwendung dieses Geräts in der Nähe aktiver Stromleitungen dürfen nur zugelassene, nichtleitende Schläuche und eine geeignete, persönliche Schutzausrüstung verwendet werden.</li> <li>• Bei der Arbeit in der Nähe von aktiven Stromleitungen die Glasfaserstange stets sauber und trocken halten. Angesammeltes Öl oder Schmutz reduzieren die Isoliereigenschaften des Geräts.</li> </ul> <p>Das Nichtbeachten dieser Warnungen könnte zu schweren oder tödlichen Verletzungen führen.</p>


	<b>⚠️ WARNUNG</b>
	<p>Hautinjektions-Gefahr:</p> <ul style="list-style-type: none"> <li>• Undichte Stellen nicht mit der Hand prüfen.</li> <li>• Bei eingeschalteter Druckversorgung den Schlauch bzw. die Verbindungsstücke nicht in der Hand halten.</li> <li>• Vor der Wartung das Hydraulik-system auf normalen Druck bringen.</li> </ul> <p>Unter Druck stehendes Öl kann die Haut leicht punktieren, was zu Gangrän, schweren oder tödlichen Verletzungen führen kann. Bei einer Verletzung ist sofort ein Arzt aufzusuchen.</p>

	<b>⚠️ WARNUNG</b>
	<p>Das Gehäuse der Säge, die Schiene, die Kette und andere Komponenten können während des und nach dem Betrieb heiß sein. Beim Umgang mit der Säge vorsichtig vorgehen. Heiße Oberflächen können zu schweren Verbrennungen führen.</p> <p>Das Nichtbeachten dieser Warnung könnte zu schweren oder tödlichen Verletzungen führen.</p>


	<b>⚠️ WARNUNG</b>
	<p>Bei der Verwendung dieses Werkzeugs ist ein Schutzhelm zu tragen.</p> <p>Das Nichtbeachten dieser Warnung könnte zu schweren oder tödlichen Verletzungen führen.</p>

	<b>⚠️ WARNUNG</b>
	<p>Vor dem Betrieb dieser Kettensäge sind die entsprechenden Abschnitte über folgende Gefahrensituationen zu lesen und zu verstehen:</p> <ul style="list-style-type: none"> <li>• Zug <ul style="list-style-type: none"> <li>Der Zug der Kettensäge kann eintreten, wenn bei einem Schnitt von oben die Kette auf ein hartes Objekt, wie etwa einen Nagel trifft, oder wenn sich das Schwert im Schnitt verkeilt.</li> <li>Die Säge zieht dann plötzlich und kräftig vom Bediener weg.</li> </ul> </li> <li>• Schub <ul style="list-style-type: none"> <li>Der Schub der Kettensäge kann eintreten, wenn bei einem Schnitt von unten die Kette auf ein hartes Objekt, wie etwa einen Nagel trifft, oder wenn sich das Schwert im Schnitt verkeilt.</li> <li>Die Säge schiebt dann plötzlich und kräftig zum Bediener hin.</li> </ul> </li> <li>• Kettenrückschlag <ul style="list-style-type: none"> <li>Der Kettenrückschlag tritt ein, wenn die Spitze der Kette auf ein hartes Objekt trifft. Die Spitze der Kettensäge schwingt dann nach oben und hinten, auf den Bediener zu.</li> </ul> </li> </ul> <p>Das Nichtbeachten dieser Warnung könnte zu schweren oder tödlichen Verletzungen führen.</p>

	<b>⚠️ WARNUNG</b>
	<p>Beim Bedienen dieses Geräts stets einen Augenschutz tragen.</p> <p>Absplitternde Trümmer oder verspritztes Hydrauliköl könnten bei fehlendem Augenschutz schwere Augenverletzungen verursachen.</p>

	<b>⚠️ WARNUNG</b>
	<p>Beim Gebrauch dieses Geräts Ohrenschutz tragen.</p> <p>Langes Arbeiten bei hoher Lärmbelastung könnte zu einer Beeinträchtigung des Hörvermögens führen.</p>

## Betrieb (Fortsetzung)

	<b>⚠️ WARNUNG</b>
	<p>Beim Gebrauch dieses Geräts Fußschutz tragen.</p> <p>Das Nichtbeachten dieser Warnung könnte zu schweren Verletzungen führen.</p>

<b>⚠️ WARNUNG</b>
<p>Gerät, Schläuche und Verbindungsstücke nicht vom Gerät trennen, solange es an eine Druckversorgung angeschlossen oder das Hydrauliköl heiß ist. Heiße Hydraulikflüssigkeit könnte schwere Verbrennungen verursachen.</p>

<b>⚠️ VORSICHT</b>
<p>Vibrationsgefahr:</p> <p>Nur den zum Ausführen der Arbeiten nötigen Druck ausüben. Zu große Druckauswirkung auf den Drehbohrhammer kann beim Bediener Schmerzen bzw. vorübergehende Gefühllosigkeit hervorrufen.</p> <p>Das Nichtbeachten dieser Vorsichtsmaßnahme kann unter Umständen zu Verletzungen führen.</p>

<b>WICHTIG</b>
<ul style="list-style-type: none"> <li>Die einwandfreie Funktion der automatischen Schmiervorrichtung regelmäßig prüfen. Siehe dazu den Abschnitt „Prüfen und Einstellen der auto-matischen Schmiervorrichtung“ in diesem Handbuch.</li> <li>Die Kette regelmäßig auf korrekte Spannung und Schärfe prüfen. Gegebenenfalls nachspannen und schärfen. Siehe dazu die Anweisungen unter „Wartung von Kette und Schiene“.</li> <li>Den Flüssigkeitsstand der Druckversorgung regelmäßig prüfen. Die automatische Schmiervorrichtung verwendet zur Schmierung von Kette und Schiene Hydraulikflüssigkeit, was zu einem Abfallen des Flüssigkeitsstandes führt.</li> </ul>

<b>WICHTIG</b>
<p>Vorgang zur Notausschaltung:</p> <ol style="list-style-type: none"> <li>Den Auslöser loslassen.</li> <li>Die Hydraulik-Druckversorgung abstellen.</li> </ol>

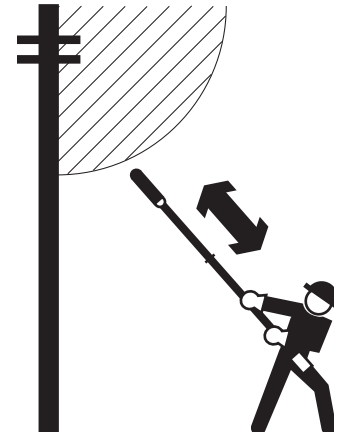
Folgende zusätzliche Hinweise entstammen der EN 50110-1:

- Zur Vermeidung von elektrischen Gefahren sowie Verletzungen aufgrund von elektrischen Schlägen ist folgendes zu beachten:

- Der Bediener hat über die entsprechenden technischen Kenntnisse und Erfahrungen zu verfügen.

**oder**

- Der Bediener muß stets in Anwesenheit einer zweiten Person arbeiten, die ebenfalls über die notwendigen technischen Erfahrungen oder Kenntnisse verfügt.



- Dieses Gerät darf nicht bei schlechter Witterung eingesetzt werden. Dazu zählen Gewitter mit Blitzschlag oder das Herannahen eines Gewitters (wie z.B. einsetzender Donner), aber auch schlechte Sichtverhältnisse.
- Falls elektrische Leitungen oder andere Elektrogeräte Spannungen über 50V~ oder 120V= führen, ist sicherzustellen, daß:
  - stromführende Teile nicht berührt werden können: Dazu Abschirmungen, Absperrungen, Umzäunungen oder Isolierungen verwenden

**oder**

  - kein Körper-, Geräte- oder Zubehörteil die „Gefahrenzone“ erreichen kann.

Die Gefahrenzone ist (nach DIN VDE 0105-100) der Abstand von einem stromführenden Elektroteil abhängig von der Nennspannung. Die entsprechenden Gefahrenzonen finden Sie in Anhang A der EN 50110-1.

*Hinweis: Beim Betrieb dieses Geräts auf festen Stand und ein gutes Gleichgewicht achten. Die Arme nicht zu weit nach vorne strecken. Bei unzureichender Standfestigkeit oder schlechtem Gleichgewicht kann auf normale und unerwartete Bewegungen des Werkzeugs möglicherweise nicht entsprechend reagiert werden.*

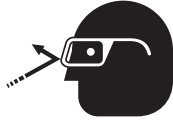
- Den vorderen Griff in die eine und den Auslösergriff in die andere Hand nehmen.
- Den Sicherheitsbügel des Auslösers nach vorne schieben und den Auslöser betätigen, bis die Säge ihre volle Drehzahl erreicht hat.
- Den Schnitt ansetzen. Dabei einen steten und gleichmäßigen Druck ausüben.

*Hinweis: Schnitte stets gerade durch das Holz führen – die Säge auf keinen Fall im Schnitt drehen.*

- Um die Säge anzuhalten, den Auslöser loslassen.
- Wird das Werkzeug nicht verwendet, die Druckversorgung abstellen, um Wärmeentwicklung sowie Verschleiß zu reduzieren.



## Wartung

	<b>⚠️ WARNUNG</b>
	<p>Beim Bedienen dieses Geräts stets einen Augenschutz tragen.</p> <p>Absplittende Trümmer oder verspritztes Hydrauliköl könnten bei fehlendem Augenschutz schwere Augenverletzungen verursachen.</p>

<b>⚠️ WARNUNG</b>
<p>Bei anliegender Netzspannung weder Zubehörteile auswechseln noch das Gerät prüfen, einstellen oder reinigen. Ein versehentliches Ingangsetzen des Geräts kann zu schweren Verletzungen führen.</p> <p>Das Nichtbeachten dieser Warnungen könnte zu schweren oder tödlichen Verletzungen führen.</p>

### WARTUNGSPLAN

Maximieren Sie mit Hilfe dieses Wartungsplans die Lebensdauer des Geräts.

*Hinweise: Sämtliche Etiketten sauber und lesbar halten. Wenn nötig, Etiketten ersetzen.*

*Die Entsorgung etwaiger Komponenten (Hydraulikschläuche, -flüssigkeit, verschlissene Teile, usw.) hat in Übereinstimmung mit nationalen, regionalen und lokalen Gesetzen und Vorschriften zu erfolgen.*

#### Täglich

1. Alle Oberflächen des Werkzeuges sauber abwischen.
2. Vor jeder Verwendung die gesamte Sägekette prüfen. Diese gemäß den Anweisungen unter „Wartung von Kette und Schiene“ spannen und schleifen. Bei unsachgemäß geschliffener, stumpfer, abgenutzter oder beschädigter Kette steigt die Gefahr eines Kettenrückschlags.
3. Vor Inbetriebnahme die Funktion der automatischen Schmiervorrichtung gemäß Anweisungen im Abschnitt „Prüfen und Einstellen der automatischen Schmiervorrichtung“ prüfen. Eine unsachgemäß eingestellte Schmiervorrichtung kann die Abnutzung von Kette und Schiene beschleunigen.
4. Die Hydraulikschläuche und -verbindungen auf Anzeichen von undichten Stellen, Abnutzungsrissen oder Schäden überprüfen. Falls notwendig austauschen.
5. Staubkappen über den Hydraulik-Anschlüssen anbringen, wenn das Gerät abgetrennt ist.

#### Monatlich

1. Eine gründliche Inspektion der Hydraulikschläuche und -verbindungen vornehmen, wie in Publikation 99930323, SAE J1273 (Schlauch und Schlauchbausätze) beschrieben.

2. Die Schiene gemäß den Anweisungen unter „Wartung von Kette und Schiene“ warten.
3. Die Säge auf volle Drehzahl bringen und den Auslöser loslassen. Die Zeit notieren, die die Säge bis zum vollständigen Stillstand benötigt. Diese Zeitspanne mit denen der Vormonate vergleichen.

Eine zunehmende Zeitspanne bedeutet, daß die Komponenten des Auslöseventils verschmutzt oder abgenutzt sind. Das Gerät sollte von einem autorisierten Greenlee Greenlee-Kundendienstzentrum gereinigt oder repariert werden.

#### Jährlich

Falls von Ihrem Unternehmen vorgesehen, ist das Werkzeug unter Umständen von einer autorisierten Greenlee-Reparaturwerkstätte prüfen zu lassen.

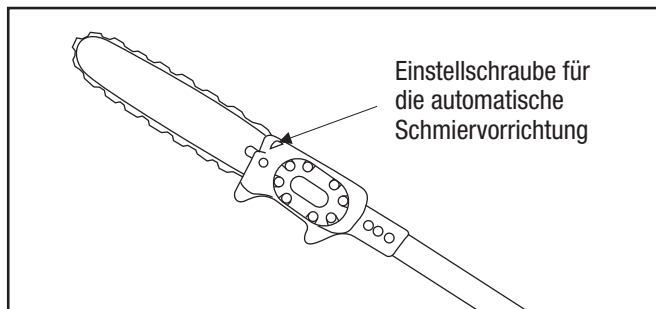
### PRÜFEN UND EINSTELLEN DER AUTOMATISCHEN SCHMIERVORRICHTUNG

Die automatische Schmiervorrichtung sorgt während des Betriebs der Säge für einen steten Ölfilm auf Kette und Schiene. Die Menge des Öls kann über eine Einstellschraube gesteuert werden.

Vor der Einstellung der automatischen Schmiervorrichtung den Ölkanal an der Basis der Schiene reinigen. Falls Öl von der Anschlagkralle, dem Kettenradschutz oder der Schiene tropft, ist dies ein Zeichen für einen verstopften Ölkanal.

1. Die Säge auf volle Drehzahl bringen.
  2. Wenn an der Sägenspitze ein feiner Ölnebel verspritzt wird, ist die automatische Schmiervorrichtung korrekt eingestellt. Ist dies nicht der Fall, sollte die Schmiervorrichtung eingestellt werden.
- Hinweis: Optimale Ergebnisse erzielt man, indem die Säge auf ein sauberes Blatt Papier oder einen sauberen Karton gerichtet wird und auf maximale Drehzahl gebracht wird. Wenn auf dem Papier oder Karton bald kleine Tröpfchen Öl erscheinen, ist die automatische Schmiervorrichtung richtig eingestellt.*
3. Die Hydraulik-Druckversorgung abstellen.
  4. Die Schraube für die Schmiervorrichtung komplett anziehen, bis sie sitzt. Die Schraube mit einer Viertelumdrehung entgegen dem Uhrzeigersinn lockern.

#### Einstellschraube für die automatische Schmiervorrichtung



5. Die Hydraulik-Druckversorgung einschalten.

## Wartung (Fortsetzung)

- Die Schraube für die Schmiervorrichtung in kleinen Viertelumdrehungsschritten weiter lockern, bis die Schmiervorrichtung korrekt eingestellt ist

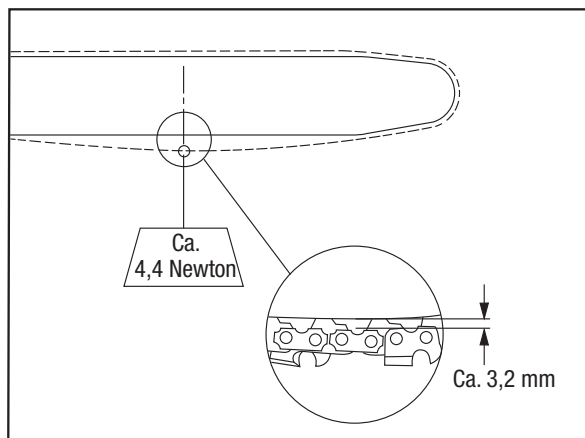
### Einlaufphase für neue Ketten

- Die Säge auf niedriger Drehzahl zwei bis drei Minuten laufen lassen, ohne dabei einen Schnitt vorzunehmen. Dabei den Ölausstoß der automatischen Schmiervorrichtung prüfen.
- Die Hydraulik-Druckversorgung abstellen. Die Schläuche trennen. Die Kette und die Schiene abkühlen lassen. Die Spannung der Kette prüfen und gegebenenfalls einstellen.
- Die Schläuche anschließen. Die Hydraulik-Druckversorgung einschalten. Einige leichte Schnitte bei mittlerer Drehzahl durchführen.
- Die Hydraulik-Druckversorgung abstellen. Die Schläuche trennen. Die Kette und die Schiene abkühlen lassen. Die Spannung der Kette prüfen und gegebenenfalls einstellen.
- Die Schläuche anschließen. Die Hydraulik-Druckversorgung einschalten. Die Säge in den ersten 30 Minuten nur für mittelschwere Schnitte einsetzen.

### Prüfen der Kettenspannung

- Die Hydraulik-Druckversorgung abstellen. Die Schläuche abstecken. Die Kette und die Schiene abkühlen lassen.
- Die Kette über die Schiene ziehen. Sie sollte sich dabei leicht bewegen lassen. Falls sie klemmt oder steckenbleibt, die Anweisungen unter „Kette läßt sich nur schwer von Hand ziehen“ in der Fehlersuch-Tabelle befolgen.
- Die Spannung wie folgt prüfen:  
Die Kette mit 4,4 Newton von der Schiene wegziehen (siehe Abbildung). Der Abstand zwischen Kette und Schiene sollte dabei etwa 3,2 mm betragen. Falls der Abstand zu groß oder zu klein ist, die Anweisungen unter „Einstellen der Kettenspannung“ befolgen.

Korrekte Spannung der Kette



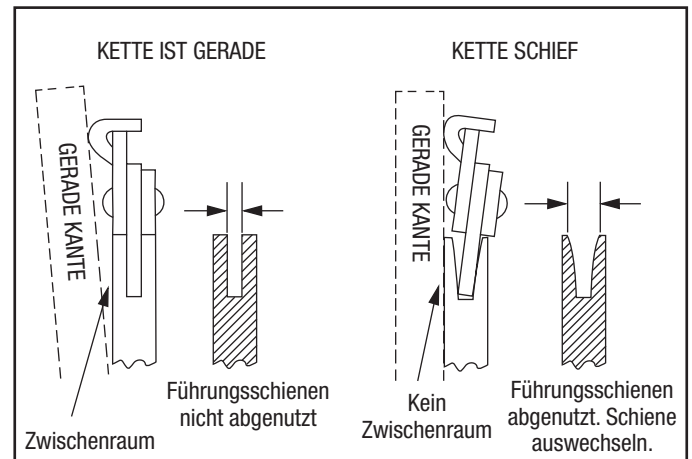
### Einstellen der Kettenspannung

- Die beiden Befestigungsschrauben der Schiene lockern.
- Die Einstellungsschraube für die Kettenspannung anziehen, bis die entsprechende Spannung erreicht wird. Die korrekte Spannung kann folgendermaßen ermittelt werden:  
Die Kette mit etwa 4,4 Newton von der Schiene wegziehen (siehe Abbildung). Der Abstand zwischen Kette und Schiene sollte dabei etwa 3,2 mm betragen.
- Die Spitze der Säge nach oben halten und dabei die beiden Flanschmutter mit 16,9 Nm festziehen.
- Die Spannung erneut prüfen.
- Die Kette von Hand über die Schiene ziehen. Wenn dabei ein Klicken zu hören ist, berühren die Kettenglieder die Schiene. Die Einstellung der Kettenspannung in diesem Fall wiederholen.

### Wartung der Schiene

- Die Oberseite der Schiene mit einem Fettstift oder einem Filzstift markieren.
- Die Kette und die Schiene abnehmen. Mit einer kleinen Reinigungsbürste die Holzreste von der Kerbe der Schiene beseitigen.
- Den Ölkanal an der Basis der Schiene reinigen. Dazu kann jedes Werkzeug verwendet werden, das zur gründlichen Reinigung des Kanals geeignet ist.
- Die Führungsschienen auf Abnutzung prüfen, indem eine geradkantiger Gegenstand an eine Seite der Schiene und ein Sägeglied gelegt wird.
  - Ein Zwischenraum zwischen der Schiene und der geraden Kante weist darauf hin, daß die Führungsschienen noch nicht abgenutzt sind.
  - Wenn sich die Kette allerdings neigt oder es zwischen der Schiene und der Kante keinen Zwischenraum gibt, so sind die Führungsschienen abgenutzt und sollten ersetzt werden.

Prüfen der Führungsschienen auf Abnutzung

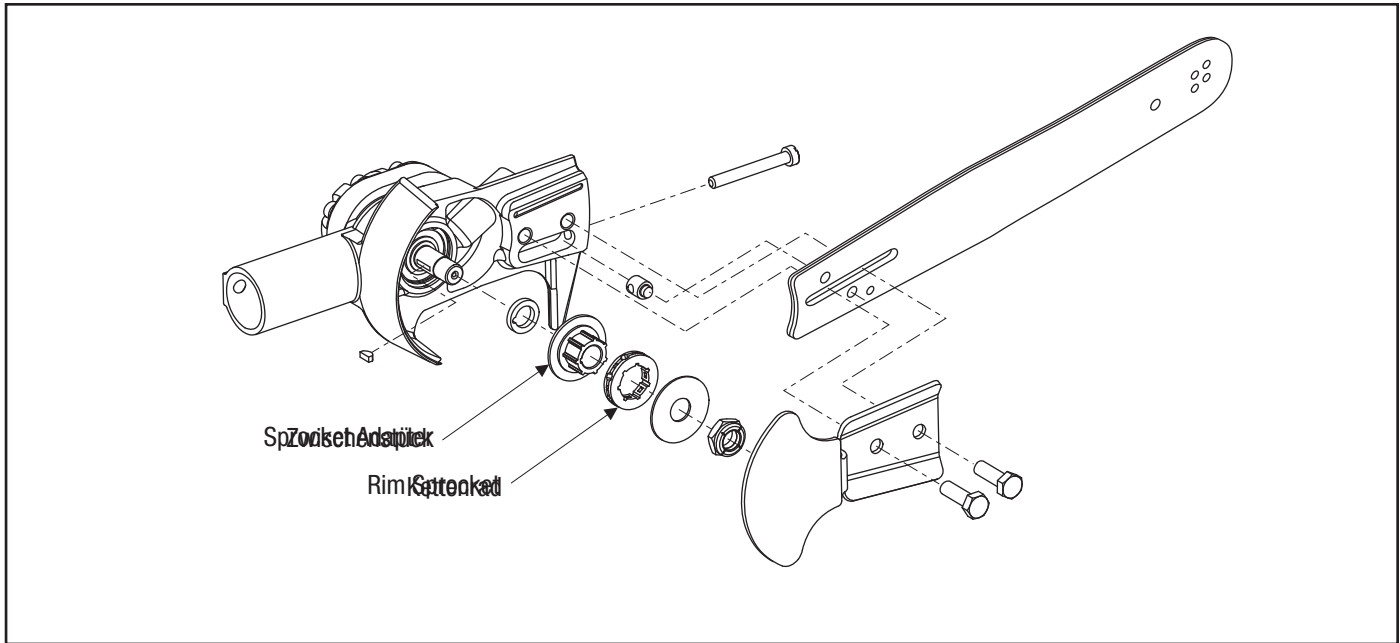




**Wartung (Fortsetzung)**

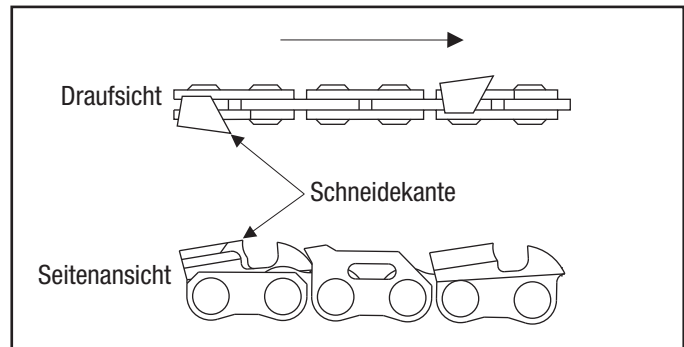
- Das Kettenrad und das Zwischenstück prüfen.  
Bei Anzeichen von Abnutzung oder Beschädigung austauschen.

**Kettenrad und Zwischenstück**



- Mit Hilfe der im Schritt 1 angebrachten Markierung die Schiene nun umgekehrt einbauen. Dadurch wird eine gleichmäßigere Abnutzung erreicht.
- Die Kette wie abgebildet einbauen. Die Spannung der Kette gemäß Anleitung unter „Einstellen der Kettenspannung“ einstellen.

**Laufrichtung der Kette**



## Wartung (Fortsetzung)

### SCHÄRFEN DER SÄGEKETTE

Die Sägekette muß nach den Angaben des Herstellers geschärft werden. Bei unsachgemäß geschärfter Sägekette steigt das Risiko eines Kettenrückschlags.

Bei der Verwendung einer Feillehre oder eines Handschleifers sind zusätzlich die Anweisungen der Hersteller des entsprechenden Geräts zu beachten.

Sämtliche Hochentaster sind mit der folgenden Sägekette ausgerüstet:

Siehe Abbildung:	Abb. A	Abb. B	Abb. C	Abb. D	Abb. E	—	Abb. F	—
Teilung		<b>Treibglieddicke</b>	<b>Kantenwinkel</b>	<b>Oberschnittwinkel</b>	<b>Schleifwinkel der Oberschneide</b>	<b>Schleifwinkel</b>	<b>Einstellung der Treibgliedtiefe</b>	<b>Rundfeilengröße</b>
	.325"	.058"	85°	60°	30°	10°	.025"	3/16"

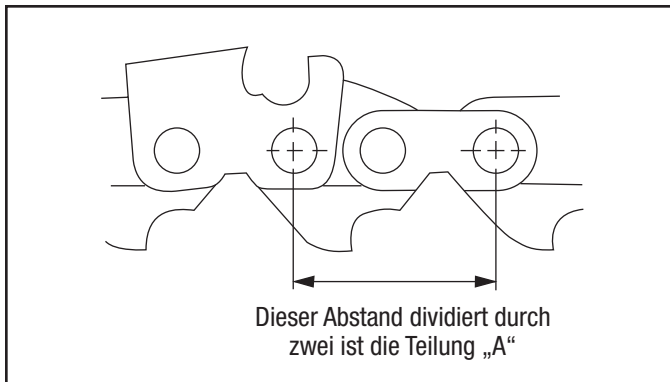
### Kettenteilung

Siehe Abbildung A. Der Begriff Teilung bezieht sich auf das Kettenmaß. Die „Teilung“ einer Sägekette ist der Abstand zwischen drei aufeinanderfolgenden Nieten dividiert durch zwei. Ein Beispiel: 1,5 dividiert durch zwei entspricht einer Teilung von 0,75.

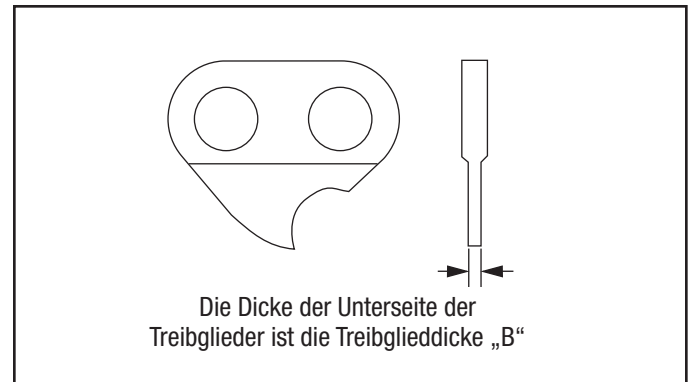
### Treibglieddicke

Siehe Abbildung B. Die Treibglieddicke ist die Stärke jenes Teils des Kettengliedes, das in die Führungsrille der Schiene paßt. Die Treibglieddicke muß zur Schiene passen. Industrieübliche Maße sind etwa 1,1 mm, 1,6 mm usw.

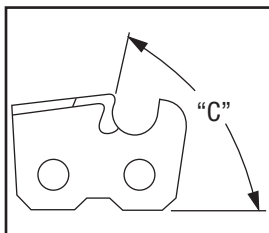
**Abbildung A**  
Teilung



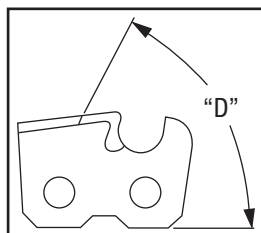
**Abbildung B**  
Treibglieddicke



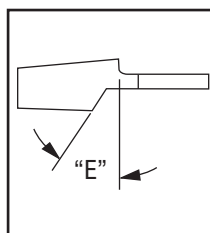
**Abbildung C**  
Kantenwinkel



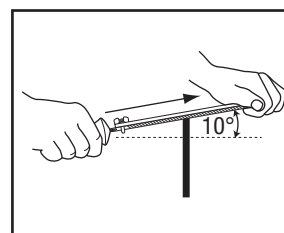
**Abbildung D**  
Oberschnittwinkel



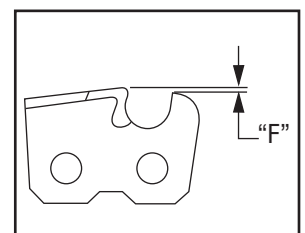
**Abbildung E**  
Schleifwinkel der  
Oberschneide



**Schleif  
winkel**



**Abbildung F**  
Einstellung der  
Tiefenbegrenzung des  
Treibglieds

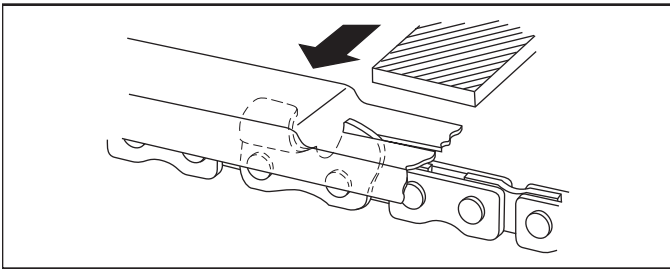


## Wartung (Fortsetzung)

### Abfeilen der Tiefenbegrenzer

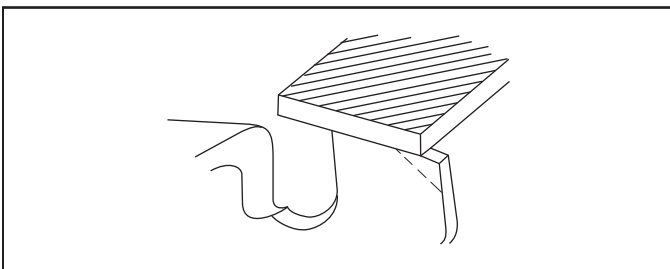
1. Wenn die Schnittglieder mit einem Feilenhalter geschärft werden, sind vor dem Feilen der Schnittglieder zuerst die Tiefenbegrenzer zu prüfen und gegebenenfalls niedriger zu feilen.
2. Dies ist bei jedem dritten Feilvorgang durchzuführen.
3. Dazu die Tiefenbegrenzer-Schleiflehre auf die Schneide legen. Wenn die Tiefenbegrenzer über die Lehre hinausragen, sind sie auf die Höhe der Oberkante abzufräsen. Dabei immer von der Innenseite der Sägekette zu einem äußeren Schnittglied feilen.

Abfeilen der Tiefenbegrenzer



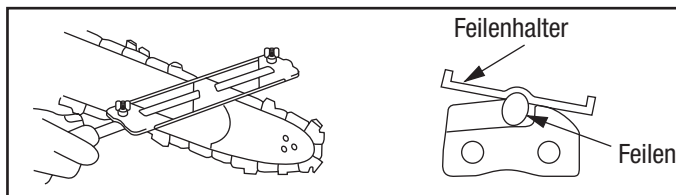
4. Nach dem Abschleifen auf die Höhe der Lehre die Vorderkante der Treibglieder abrunden, um die ursprüngliche Form der Tiefenbegrenzer wieder herzustellen. Dabei stets die vom Hersteller der Kette empfohlenen Parameter für die Tiefenbegrenzung einhalten. Dies ist nicht nur für eine optimale Leistung während der gesamten Nutzungsdauer der Sägekette ausschlaggebend, sondern auch als Schutz gegen Kettenrückschlag.

Abrunden der Tiefenbegrenzer

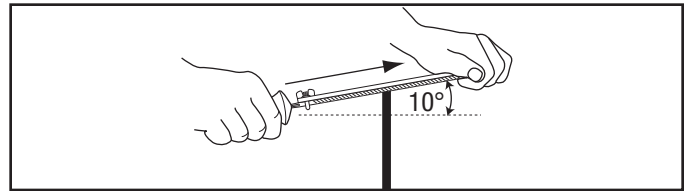


### Schnittglieder feilen – Allgemeines

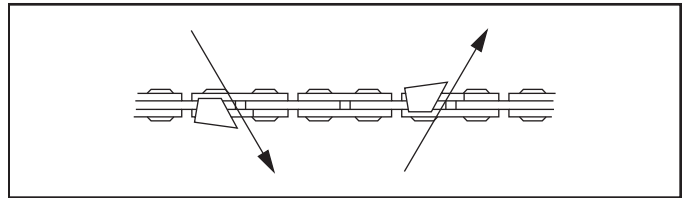
1. Den Feilenhalter wie dargestellt auf die Oberschneide und die Tiefenbegrenzer anlegen.



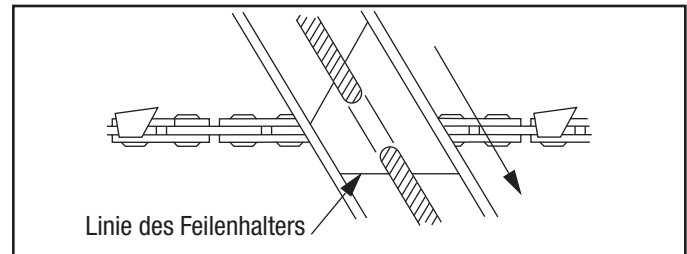
2. Die Feile in einem Winkel von 10° über die Schneidglieder führen.



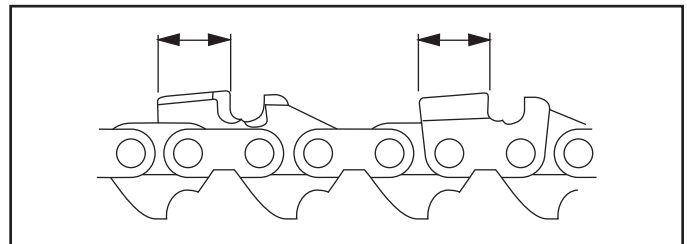
3. Die Schneidglieder auf einer Seite der Sägekette von innen nach außen feilen. Immer nur auf Schub feilen.



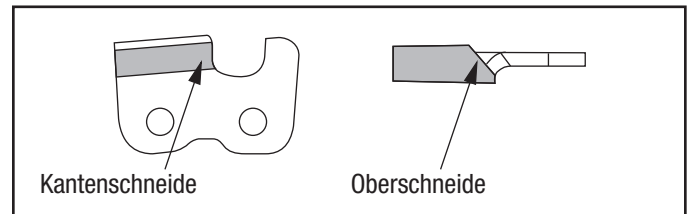
4. Die Bewegungslinie des Feilenhalters parallel zur Mitte der Sägekette führen. Auf der anderen Seite die Anordnung umkehren.



5. Alle Schneidglieder auf einer Länge halten.



6. Die Schneiden so weit abfeilen, daß keine Beschädigungen der Schnittflächen (Kanten und Oberschneide) mehr zu erkennen sind.



## Fehlersuche

Vor der Fehlersuche feststellen, ob das Problem im Gerät, den Schläuchen oder der Druckversorgung zu suchen ist. Geräte, Schläuche und Druckversorgungsgeräte, deren Funktion sichergestellt ist, ersatzweise einsetzen, um das fehlerhafte Teil zu bestimmen.

Wenn das Problem am Gerät liegt, siehe nachfolgende Fehlersuchtablette. Falls das Problem an der Druckversorgung liegt, siehe den Fehlersuch-Abschnitt in der Bedienungsanleitung der Druckversorgung.

<b>Problem</b>	<b>Mögliche Ursache</b>	<b>Massnahmen zur Behebung</b>
Gerät funktioniert nicht.	Ungeeignete Druckversorgung.	Sicherstellen, daß die Druckversorgung den Spezifikationen entspricht. Siehe Abschnitt „Technische Daten“.
	Niedriger Hydraulikflüssigkeitspegel.	Flüssigkeitsstand kontrollieren. Das System auf undichte Stellen prüfen.
	Ungeeignete Viskosität der Hydraulikflüssigkeit.	Hydraulikflüssigkeit mit korrekter Viskosität verwenden. Siehe Abschnitt „Technische Daten“.
Werkzeug arbeitet langsam oder ungleichmäßig.	Hydraulikflüssigkeit kalt.	Flüssigkeit auf die Betriebstemperatur erwärmen lassen. Das Werkzeug mehrmals ein- und ausschalten, um die Aufwärmzeit zu reduzieren.
	Druckversorgung schlecht eingestellt.	Siehe Bedienungsanleitung der Druckversorgung. Flußrate und Druck auf die Anforderungen des Werkzeugs einstellen.
	Niedriger Hydraulikflüssigkeitspegel.	Flüssigkeitsstand kontrollieren. Das System auf undichte Stellen prüfen.
	Luft im Hydrauliksystem.	Luft gemäß Herstellerhinweisen der Druckversorgung aus dem Hydrauliksystem entweichen lassen.
	Ungeeignete Viskosität der Hydraulikflüssigkeit.	Hydraulikflüssigkeit mit korrekter Viskosität verwenden. Siehe Abschnitt „Technische Daten“.
Auslöser ist schwer zu bedienen oder bleibt beim Loslassen stecken.	Schmutz oder klebrige Verunreinigungen am Auslöser oder an der Spule.	Den Auslöser und die Auslöserspule reinigen und schmieren.
Die Kette läuft in die umgekehrte Richtung.	Die Schläuche sind verkehrt herum am Gerät angebracht.	Das Hydrauliksystem auf normalen Druck bringen. Die Schlauchverbindungen umkehren.

## Diagnóstico y solución de fallas (continuación)

Problem	Mögliche Ursache	Massnahmen zur Behebung
Kette schneidet nicht.	Kette stumpf.	Kette ausbauen und gemäß den Spezifikationen des Herstellers schärfen oder gegen eine scharfe Kette austauschen.
	Kette zu stark gespannt.	Kettenspannung einstellen. Siehe „Wartung von Kette und Schiene“.
	Automatische Schmiervorrichtung schmiert die Kette und Schiene nicht entsprechend.	Siehe „Prüfen und Einstellen der automatischen Schmiervorrichtung“.
	Kette falsch herum eingespannt.	Kette ausbauen und korrekt anbringen.
	Schiene abgenutzt.	Führungsrillen der Schiene auf Abnutzung prüfen. Siehe „Wartung von Kette und Schiene“. Bei starker Abnutzung Schiene austauschen.
Gerät ist heiß.	Niedriger Hydraulikflüssigkeitspegel.	Flüssigkeitsstand kontrollieren. Das System auf undichte Stellen prüfen.
	Ungeeignete Viskosität der Hydraulikflüssigkeit.	Hydraulikflüssigkeit mit korrekter Viskosität verwenden. Siehe Abschnitt „Technische Daten“.
	Hydraulikflüssigkeit verschmutzt.	Schritte zum Auswechseln des Hydrauliköls und des Filter sind dem Benutzerhandbuch der Druckversorgung zu entnehmen.
Kette läßt sich nur schwer von Hand ziehen.	Gestauter Hydraulikdruck im Sägemotor.	Hydraulikdruck durch ordnungsgemäßes Verfahren zum Trennen der Schläuche verringern. Siehe „Schlauchverbindungen“ in diesem Handbuch.
	Kette und Schiene falsch eingestellt.	Siehe Abschnitt „Einstellen der Kettenspannung“ unter „Wartung von Kette und Schiene“ in diesem Handbuch.
	Treibglieder beschädigt.	Kette ausbauen und Treibglieder prüfen.
	Führungsrille der Schiene beschädigt.	Kette ausbauen und Führungsrille der Schiene prüfen.

# MANUALE DI ISTRUZIONI



**GREENLEE®**



## **Motoseghe Portatili per Applicazioni Profonde Riempito con schiuma LRF 75 e 88**

**Codici di serie AMT, AMS, GLZ, GLY, HAD e HAE**



Prima di usare questa unità, o di eseguirne la manutenzione, **leggere** e **comprendere** tutte le istruzioni e le informazioni sulla sicurezza contenute nel presente manuale.

Registrare il prodotto al sito [www.greenlee.com](http://www.greenlee.com)

## Indice

Descrizione.....	90
Sicurezza.....	90
Finalità.....	90
Altre pubblicazioni.....	90
Importanti informazioni per la sicurezza.....	91-94
Identificazione.....	95
Specifiche.....	96-97
Elementi di base.....	98-100
Impostazione di Super Spool.....	101
Tubi flessibili ed attacchi.....	101
Collegamenti dei tubi flessibili.....	101
Impostazione tipica.....	101
Funzionamento.....	102-103
Manutenzione.....	104-108
Risoluzione dei problemi.....	109-110
Servizio	
Smontaggio.....	111
Montaggio.....	112-113
Illustrazioni.....	114-118
Elenco delle parti.....	119-120

## Descrizione

Le motoseghe a catena per applicazioni profonde sono attrezzi da taglio ad alimentazione idraulica concepiti solitamente per la potatura di alberi dal terreno o su un carrello sospeso dal terreno.

Il design brevettato Greenlee Super Spool™ consente di utilizzare l'attrezzo con impianti idraulici a centro aperto o a centro chiuso. Le proprietà dielettriche del polo in fibre di vetro riducono la possibilità di folgorazione qualora la sega venga utilizzata in prossimità di condutture elettriche alimentate. Le altre funzioni includono una catena anti-reazione, protezione della dentatura completamente coperta, un collare di sicurezza ad arresto manuale, un meccanismo di interbloccaggio di sicurezza a scatto ed una protezione.

Super Spool è protetto dal brevetto statunitense N. 4,548,229.

## Sicurezza

La sicurezza è essenziale per l'uso e la manutenzione degli attrezzi e delle apparecchiature Greenlee. Questo manuale delle istruzioni e tutte le indicazioni sull'attrezzo forniscono le informazioni necessarie per evitare pericoli e modi d'uso non sicuri relativi a questo attrezzo. Attenersi sempre a tutte le istruzioni per la sicurezza fornite.

## Finalità

Questo manuale consente al personale di prendere dimestichezza con un funzionamento sicuro, con specifiche e parti e con procedure di manutenzione adeguate per i seguenti attrezzi idraulici Greenlee:

52020556 LRF 75 Codici di serie  
AMT, GLZ e HAE

52020558 LRF 88 Codici di serie  
AMS, GLY e HAD

Tenere questo manuale a disposizione di tutto il personale.

Altre copie di questo manuale sono disponibili gratuitamente su richiesta.

## Altre pubblicazioni

### Proprietari/Utenti dell'unità

Standard SAE J1273 (Tubo flessibile e gruppi del tubo):

Pubblicazione 99930323

Tutte le specifiche sono nominali e potrebbero cambiare man mano che si apportano migliorie al design. La Greenlee Tools, Inc. non sarà responsabile di eventuali danni risultanti dall'errata applicazione o dall'uso improprio dei suoi prodotti.

# CONSERVARE QUESTO MANUALE



## IMPORTANTI INFORMAZIONI SULLA SICUREZZA



### SIMBOLO DI ALLERTA PER LA SICUREZZA

Questo simbolo viene usato per richiamare l'attenzione dell'utente su pericoli e modi di operare non sicuri, che potrebbero causare infortuni a persone o danni alle cose. I termini usati, descritti di seguito, indicano il livello di gravità del pericolo. Il messaggio dopo la parola fornisce le informazioni per impedire o evitare il pericolo.

#### **⚠ PERICOLO**

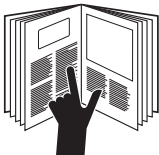
Pericoli immediati, che, se non evitati, CAUSERANNO gravi infortuni a persone o la morte.

#### **⚠ AVVERTENZA**

Pericoli che, se non evitati, POTREBBERO causare gravi infortuni a persone o la morte.

#### **⚠ ATTENZIONE**

Pericoli o modi di operare non sicuri che, se non evitati, POSSONO causare infortuni a persone o danni alle cose.



#### **⚠ AVVERTENZA**

Prima di usare questa unità, o di eseguirne la manutenzione, leggere e comprendere tutte le istruzioni e le informazioni sulla sicurezza contenute nel presente manuale.

L'inosservanza di questa avvertenza potrebbe causare gravi infortuni o la morte.

#### **⚠ AVVERTENZA**

Pericolo di scossa elettrica:

- Questo strumento è stato testato per essere conforme all'OSHA 1910.269 (test a secco) quando è stato prodotto. Per garantire proprietà continue di non conduzione, deve essere pulito e mantenuto correttamente. Dovendo fare uso dell'attrezzo in prossimità di linee elettriche alimentate, avvalersi esclusivamente di tubi flessibili non conduttivi omologati e di dispositivi adeguati per la protezione del personale addetto ai lavori.
- Dovendo lavorare in prossimità di linee elettriche alimentate, tenere il tubo di estensione in fibre di vetro pulito ed asciutto. L'accumulo di olio o sporco riduce le proprietà isolanti dell'attrezzo.
- Al momento di utilizzare questo attrezzo in prossimità di linee elettriche alimentate, osservare le istruzioni indicate in DIN EN 50110-1. Le sezioni più significative di questo standard sono contenute nella sezione Funzionamenti di questo manuale.

L'inosservanza di queste avvertenze potrebbe causare gravi infortuni personali o la morte.



#### **⚠ AVVERTENZA**


Pericolo di infiltrazione sotto la pelle:


- Non usare le mani per controllare la presenza di perdite.
- Non tenere in mano il tubo flessibile o gli accoppiatori con l'impianto elettrico pressurizzato.
- Depressurizzare l'impianto idraulico prima di eseguire un intervento di manutenzione.

l'olio sotto pressione perfora facilmente la pelle, causando gravi infortuni, cancrena o la morte. In caso di infortunio causato da fuoriuscita d'olio, consultare immediatamente un medico.




## IMPORTANTE INFORMACIÓN SOBRE SEGURIDAD


	<b>⚠ AVVERTENZA</b>
	<p>Prima di azionare la sega, leggere e comprendere le seguenti spiegazioni contenute nel manuale:</p> <ul style="list-style-type: none"> <li>• Ritiro Si verifica quando la lama al fondo della barra arriva a contatto con un oggetto estraneo, come ad esempio un chiodo, oppure quando la lama rimane impigliata nel taglio. La lama viene allontanata dall'operatore, improvvisamente e con forza.</li> <li>• Spinta Si verifica quando la lama in cima alla barra arriva a contatto con un oggetto estraneo, come ad esempio un chiodo, oppure quando la lama rimane impigliata nel taglio. La lama viene spinta verso l'operatore, improvvisamente e con forza.</li> <li>• Reazione Si verifica quando la catena in prossimità della punta della barra di guida arriva a contatto con qualcosa. La barra della sega si sposta verso l'alto ed indietro, verso l'operatore.</li> </ul> <p>L'inosservanza di questa avvertenza potrebbe causare gravi infortuni o la morte.</p>


	<b>⚠ AVVERTENZA</b>
	<p>Prima di usare questo attrezzo, indossare un elmetto.</p> <p>L'inosservanza di questa avvertenza potrebbe causare gravi infortuni o la morte.</p>

	<b>⚠ AVVERTENZA</b>
	<p>Indossare occhiali di protezione quando si usa questo attrezzo o quando se ne esegue la manutenzione.</p> <p>Il mancato utilizzo della protezione per gli occhi potrebbe causare gravi infortuni provocati da detriti vaganti o dall'olio idraulico.</p>

	<b>⚠ AVVERTENZA</b>
	<p>Indossare cuffie protettive per l'udito durante l'uso di questo attrezzo.</p> <p>L'esposizione prolungata ad alti livelli di disturbo potrebbe causare danni all'udito.</p>

	<b>⚠ AVVERTENZA</b>
	<p>Indossare stivali o scarpe pesanti durante l'uso di questo attrezzo.</p> <p>L'inosservanza di questa avvertenza potrebbe causare gravi infortuni.</p>

	<b>⚠ AVVERTENZA</b>
	<p>Alcuni tipi di legno possono generare polvere pericolosa quando tagliati; si consiglia pertanto di indossare una maschera per evitare di respirare tali polveri.</p> <p>La mancata osservanza di questa avvertenza potrebbe causare difficoltà temporanea di respirazione o gravi infortuni.</p>

	<b>⚠ AVVERTENZA</b>
	<p>Prima di utilizzare questo attrezzo, indossare guanti di protezione.</p> <p>L'inosservanza di questa avvertenza potrebbe causare gravi infortuni.</p>

## IMPORTANTI INFORMAZIONI SULLA SICUREZZA

### ⚠ AVVERTENZA

- Non cambiare gli accessori, oppure ispezionare, pulire o affilare l'attrezzo quando questo è collegato ad una sorgente di alimentazione. L'avviamento fortuito potrebbe causare gravi lesioni.
- Tenere le impugnature pulite, asciutte e prive di liquido idraulico.
- Mantenere sempre una salda presa sull'attrezzo, facendo in modo che le dita pollice ed indice abbiano sempre un'ottima presa sulle impugnature. Il mancato controllo dell'attrezzo potrebbe causare all'operatore gravi infortuni.
- Non bloccare il meccanismo di sicurezza nella posizione di accensione (ON). L'operatore non può arrestare l'attrezzo se tale meccanismo è bloccato.
- Non rimuovere e non modificare il meccanismo di sicurezza a scatto dell'attrezzo. L'avviamento fortuito potrebbe causare gravi lesioni.
- Prima di toccare, affilare o regolare la lama, indossare guanti. La lama taglia anche se non azionata.

L'inosservanza di queste avvertenze potrebbe causare gravi infortuni personali o la morte.

### ⚠ AVVERTENZA

Non scollegare l'attrezzo, i tubi flessibili o gli attacchi mentre la fonte di alimentazione è attivata o se l'olio idraulico è molto caldo. Fluido idraulico molto caldo potrebbe causare gravi ustioni.

### ⚠ AVVERTENZA

Non invertire il flusso idraulico. L'uso della pompa con il flusso idraulico invertito può causare il guasto dell'attrezzo. Collegare il tubo flessibile a pressione ed il tubo flessibile del serbatoio alle aperture corrispondenti.

### ⚠ ATTENZIONE

- Utilizzare questo attrezzo solo per operazioni di potatura e ripulitura. Qualsiasi altro uso potrebbe causare infortuni o danni alle proprietà.
- Ispezionare l'attrezzo prima dell'uso. Sostituire le parti usurate, danneggiate o mancanti. Se l'attrezzo risulta danneggiato o assemblato in maniera incorretta, si possono causare lesioni a persone.
- Ispezionare i tubi idraulici e i giunti quotidianamente prima dell'uso. Riparare o sostituire l'attrezzo in presenza di segni evidenti di perdite, incrinature, usura o danni. Tubi o giunti danneggiati possono portare ad un errato funzionamento dell'attrezzo, causando infortuni a persone o danni alle cose.
- Prima di usare l'attrezzo, accertarsi che in prossimità dello stesso non vi siano astanti, e se necessario, sgomberare l'area. Gli astanti potrebbero venire feriti da pezzi tagliati che cadono dall'alto.

L'inosservanza di queste precauzioni potrebbe causare lesioni o danni alle cose.

### ⚠ AVVERTENZA



Durante l'uso della motosega, la parte centrale, la barra, la lama ed altri componenti diventano molto caldi. Fare attenzione quando si maneggiano queste parti. Superfici molto calde possono causare gravi ustioni.

L'inosservanza di questa avvertenza potrebbe causare gravi infortuni o la morte.

### ⚠ AVVERTENZA

Per trasportare la motosega portatile:

- Attendere che si arresti completamente.
- Attendere che si raffreddi.
- Utilizzare una guaina o un fodero di protezione per la barra di guida.
- Trasportare la motosega con la barra di guida verso il lato posteriore.

L'inosservanza di queste avvertenze potrebbe causare gravi infortuni personali o la morte.

## **IMPORTANTI INFORMAZIONI SULLA SICUREZZA**

### **⚠ AVVERTENZA**

L'olio idraulico può irritare la pelle.

- Maneggiare con cura l'attrezzo e i tubi flessibili per evitare il contatto dell'olio idraulico con la pelle.
- In caso di contatto accidentale dell'olio idraulico con la pelle, lavare immediatamente l'area interessata per rimuovere l'olio.

L'inosservanza di queste precauzioni potrebbe causare infortuni.

### **⚠ AVVERTENZA**

Pericolo di vibrazioni:

Applicare solo la pressione sufficiente per eseguire il lavoro. Una pressione eccessiva applicata sull'attrezzo può causare disagi o riduzione di sensibilità e agilità dell'operatore.

L'inosservanza di questa precauzione potrebbe causare infortuni.

### **IMPORTANTE**

- Controllare con regolare frequenza il funzionamento dell'oliatore automatico. Vedere Controllo ed impostazione dell'oliatore della catena automatica in questo manuale.
- Controllare con regolare frequenza la catena per accertarsi che sia ben tesa ed affilata. Tirare ed affilare la catena secondo necessità. Vedere le istruzioni sotto Manutenzione della catena e della barra.
- Controllare con frequenza il livello del liquido nel serbatoio della fonte di alimentazione. L'oliatore automatico utilizza liquido idraulico per lubrificare la barra e la catena e pertanto con il tempo il livello del liquido si riduce.

### **IMPORTANTE**

Procedura per lo scollegamento di tubi idraulici flessibili, attacchi o componenti:

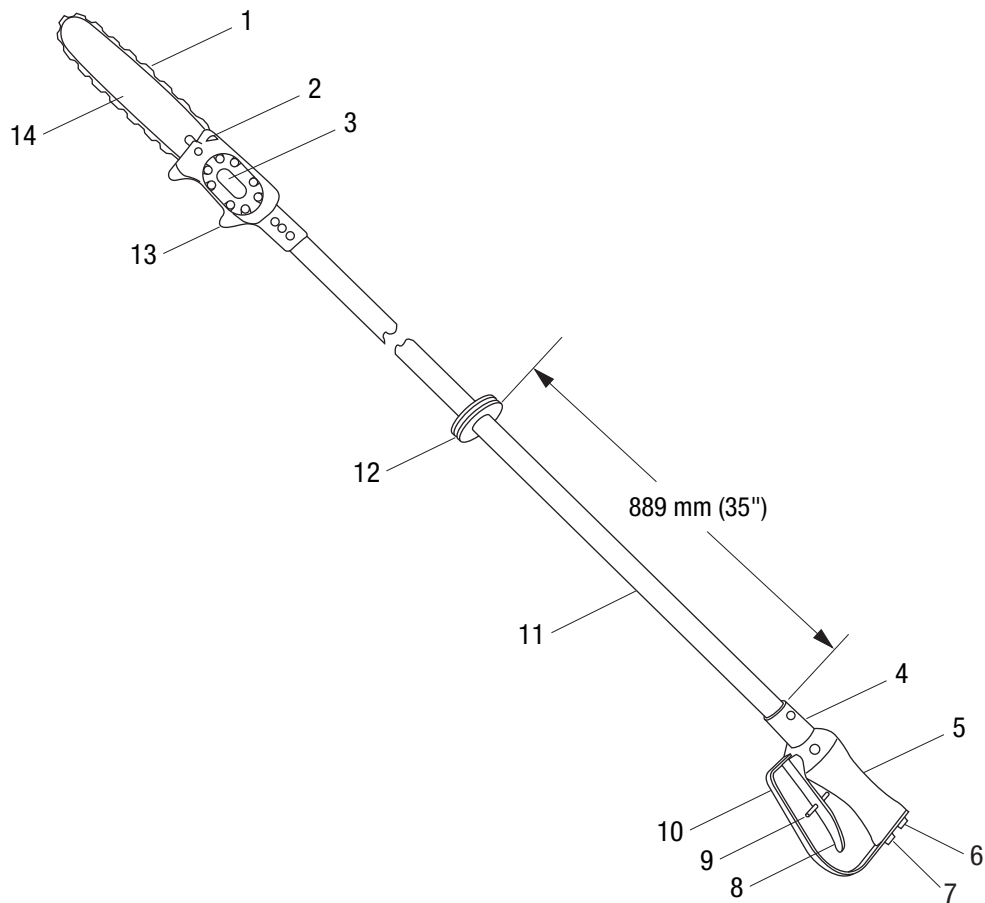
1. Spostare in posizione OFF (chiusa) la leva del flusso sulla fonte idroelettrica.
2. Arrestare la fonte elettrica.
3. Per evitare l'accumulo di pressione, seguire la procedura indicata in Scollegamento dei tubi flessibili. Nel caso si sia verificato un certo accumulo di pressione, lentamente, allentare i tubi flessibili, gli attacchi o i componenti.

### **IMPORTANTE**

Procedura di arresto di emergenza:

1. Rilasciare il meccanismo di sicurezza.
2. Chiudere la fonte idroelettrica.

*Nota: mantenere pulite e leggibili le decalcomanie riportate sull'attrezzo. Sostituirle se necessario.*

**Identificazione****Motoseghe portatili per applicazioni profonde**

- |                                |  |
|--------------------------------|--|
| 1. Catena                      | 9. Gancio di interbloccaggio a scatto                |
| 2. Oliatore automatico         | 10. Protezione o cinghia del meccanismo di sicurezza |
| 3. Motore ingranaggi idraulici | 11. Gruppo tubo, riempito con schiuma                |
| 4. N. di serie                 | 12. Arresto manuale                                  |
| 5. Impugnatura                 | 13. Testa della motosega                             |
| 6. Apertura di ritorno         | 14. Barra di guida                                   |
| 7. Apertura pressione          |  |
| 8. Meccanismo di sicurezza     |  |

## Specifiche

### Motore a per applicazioni profonde

Tipo di sistema idraulico .....Centro aperto o centro chiuso

Aperture idrauliche

Pressione.....Borchia con O-ring 9/16"-18 SAE

Ritorno.....Borchia con O-ring 3/4"-18 SAE

Capacità di taglio .....330 mm

Velocità catena a 30 l/min .....1280 m/min

Livello potenza acustica.....106 Lwa

Vibrazioni.....4,88 m/s<sup>2</sup>

Massa/Peso

52020556 .....4,06 kg

52020558 .....4,21 kg

Lunghezza

52020556 .....1890 mm

52020558 .....2200 mm

Larghezza (al motore) .....108 mm

Profondità del corpo.....152 mm

### Motosega

## **AVVERTENZA**

Se occorre sostituire l'unità, selezionare una motosega che:

- sia conforme alle specifiche dei codici industriali di sicurezza di pertinenza
- abbia una velocità nominale di 1,280 m/min.

L'inosservanza di questa avvertenza potrebbe causare gravi infortuni o la morte.

Passo.....8,26 mm

Indicatore.....1,47 mm

## Specifiche (continua)

### Sorgente della potenza idraulica

#### **⚠ AVVERTENZA**

Non superare i seguenti valori massimi della sorgente della potenza idraulica:

- Flusso idraulico: 30,3 l/min
- Valore limitazione della pressione: 138 bar
- Contropressione: 13,8 bar

L'inosservanza di questa avvertenza potrebbe causare gravi infortuni o la morte.

Tipo di sistema idraulico .....Centro aperto o centro chiuso

Flusso

Minimo .....	18,9 l/min
Raccomandato.....	22,7 l/min
Massimo.....	30,3 l/min

Filtrazione ..... 10 micron

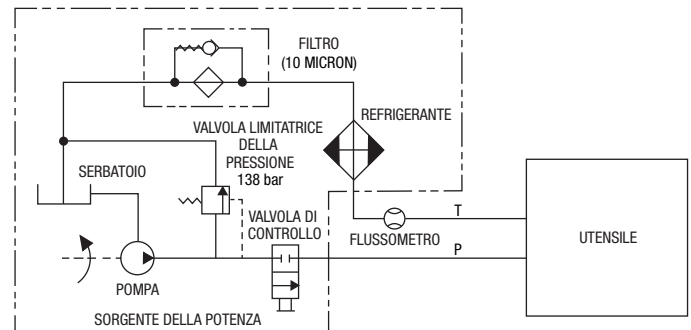
Valore limitazione della pressione ..... 138 bar

Contropressione (massima)..... 13,8 bar

\* 13,8 bar è la contropressione massima concordata dalla HTMA (Associazione dei produttori di utensili idraulici). L'unità Greenlee funzionerà in modo soddisfacente a questo standard.

1. La temperatura massima dell'olio idraulico non deve superare i 60°C. Per limitare la temperatura dell'olio idraulico è necessaria una sufficiente capacità di raffreddamento dell'olio.
2. Il flusso idraulico non deve superare 30,3 l/min. Prima di usare l'utensile, installare un flussometro nella linea di ritorno per misurare la velocità del flusso idraulico.
3. La valvola limitatrice della pressione deve essere regolata su un valore non superiore a 138 bar al flusso massimo dell'utensile. Ubicare la valvola limitatrice della pressione nel circuito di alimentazione per limitare l'eccesso di pressione idraulica sull'utensile.

### Schema del circuito idraulico



### Oli idraulici raccomandati

Usare un qualsiasi olio idraulico non detergente a basi di petrolio che soddisfi le specifiche seguenti o le specifiche HTMA.

S.U.S. a:

38 °C .....	da 140 a 225
99 °C.....	40 minimo

Punto di infiammabilità..... 170 °C minimo

Punto di scorrimento ..... -34 °C minimo



## Elementi di base

Questa sezione contiene alcuni principi di base per l'utilizzo della motosega: Prevenzione dei pericoli, Compressione e Tensione.

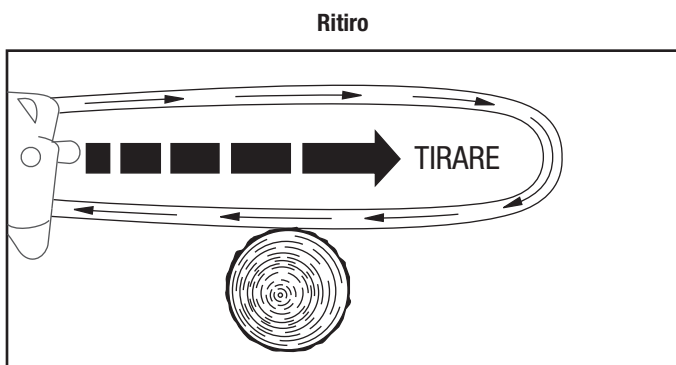
### PREVENZIONE DEI PERICOLI

L'azione di taglio di questa motosega viene eseguita da una lama di tipo a catena azionata ad alta velocità da un motore idraulico molto potente. Se usata in modo attento e corretto, la motosega diventa un attrezzo di taglio altamente efficiente.

Se usata in modo incorretto, o se un oggetto interferisce con la regolare rotazione della lama, l'operatore potrebbe perdere improvvisamente e molto rapidamente il controllo della motosega, e venire ferito dalla stessa. I tre termini che descrivono la perdita del controllo dell'attrezzo sono ritiro, spinta e reazione.

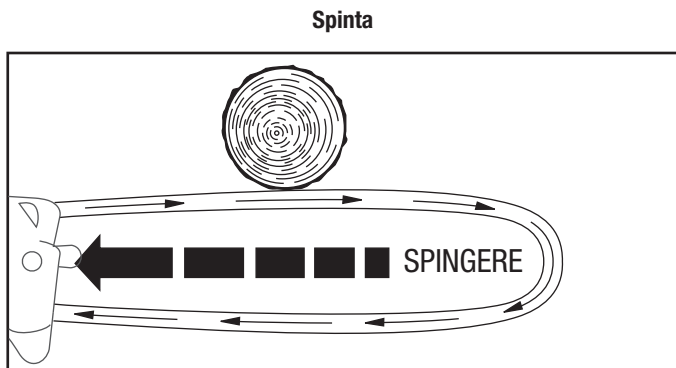
#### Ritiro

Si verifica quando il taglio viene effettuato dalla lama al fondo della barra. Se la lama rimane improvvisamente impigliata nel taglio, o se arriva a contatto con un oggetto, quale ad esempio un chiodo, la motosega potrebbe ritrarla dall'operatore, improvvisamente e con forza.



#### Spinta

Si verifica quando il taglio viene effettuato dalla lama in cima alla barra. Se la lama rimane improvvisamente impigliata nel taglio, o se arriva a contatto con un oggetto, quale ad esempio un chiodo, la motosega potrebbe spingerla verso l'operatore, improvvisamente e con forza.



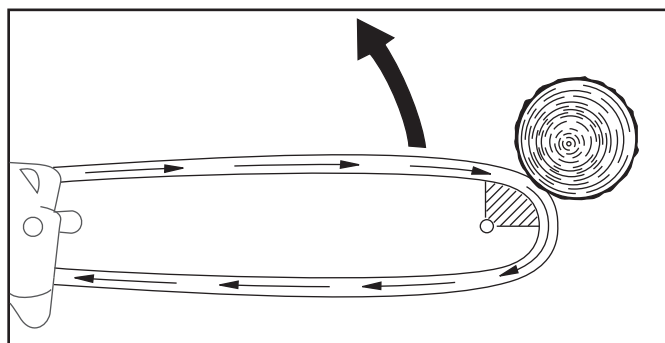
#### Reazione

La reazione è molto più pericolosa del ritiro o della spinta, in quanto l'intera motosega potrebbe ruotare improvvisamente e con forza. La barra della sega si sposta rapidamente verso l'alto ed indietro, verso l'operatore.

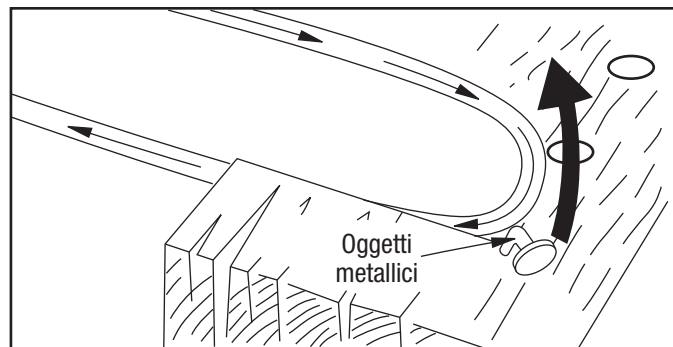
Si verifica quando la lama in prossimità della punta della barra di guida arriva a contatto con qualcosa mentre la catena è in rotazione. La reazione viene causata da:

- l'uso della punta della barra di guida per tagliare
- il contatto con un chiodo o un altro oggetto metallico durante l'operazione di taglio
- il contatto accidentale se si tagliano più rami insieme.

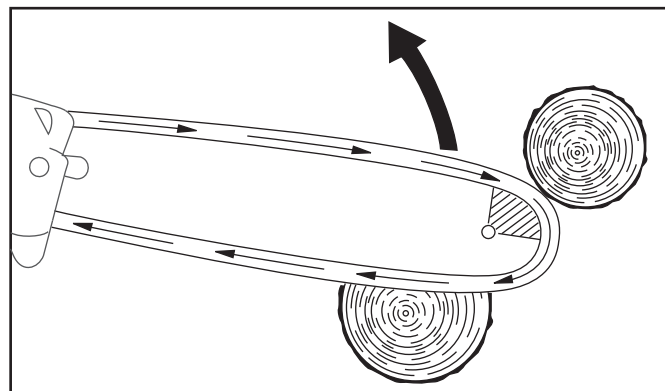
#### Uso della punta della barra di guida per tagliare



#### Contatto con oggetti metallici



#### Taglio di più rami insieme



## Elementi di base (continua)

### Prevenzione di ritiro, spinta e reazione

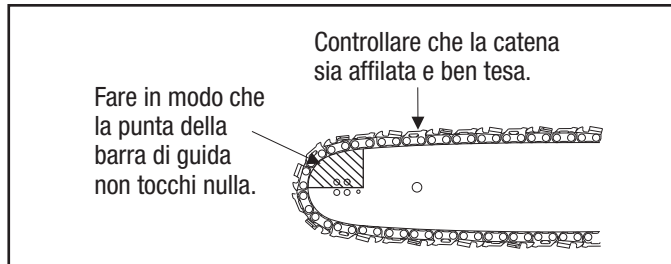
La combinazione di catena/barra ed involucro è intesa per prevenire o ridurre l'eventualità e la gravità di una reazione. Controllare che questi componenti siano in buone condizioni (che la catena sia ben affilata e ben tirata e che l'involucro non sia danneggiato, ecc.) per trarre il massimo vantaggio da queste funzioni. Qualora vi fossero segni di usura o danni, sostituire i componenti con parti di ricambio Greenlee.

#### Consigli di carattere generale:

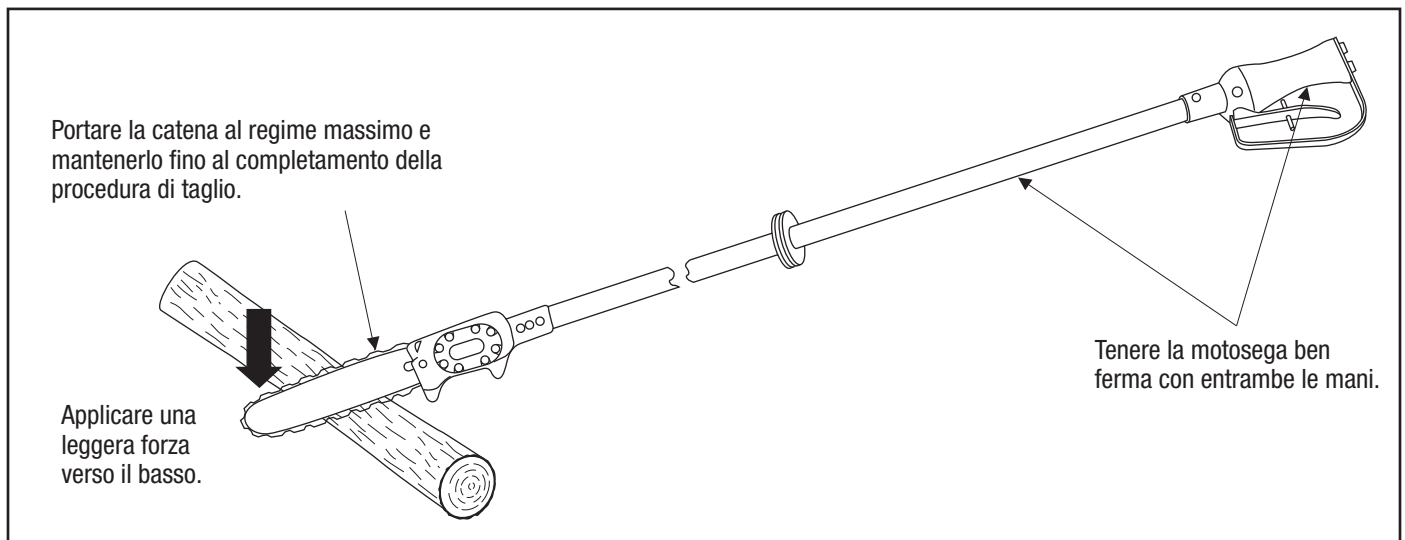
- Effettuare un'adeguata manutenzione sulla motosega. Controllare che la lama sia affilata e ben tesa.
- Fare in modo che la punta della barra di guida non arrivi a contatto con nulla.
- Evitare di sporgersi.
- Non usare la motosega oltre l'altezza delle spalle.
- Tagliare solo un ramo alla volta.
- Tenere a mente che i rami di diametro piccolo hanno la tendenza ad impigliarsi nella lama, causando il ritiro o la reazione della stessa.

#### Procedura di taglio:

- Tenere la motosega ben ferma con entrambe le mani e mantenere sempre una presa sicura.
- Portare la motosega al regime massimo prima di cominciare a tagliare. Mantenere il regime massimo fino al completamento della procedura di taglio.
- Applicare una leggera forza verso il basso sulla motosega.
- Effettuare un taglio diritto, senza girare la sega.
- Tenere presente che il ramo tagliato si sposta e potrebbe far sì che la sega si impigli nel taglio.
- Tenere anche a mente che un ramo sotto tensione tende a rimbalzare al completamento del taglio quando lo si lascia andare.



#### Procedura di taglio



## Elementi di base (continua)

### Suggerimento per la preparazione del sito

- Preparare la zona di taglio eliminando eventuali rami secchi, foglie ecc.
- Rimuovere tutti gli attrezzi non necessari ed avvolgere il tubo idraulico in eccesso.
- Ispezionare il ramo per prevedere la direzione in cui cadrà dopo il taglio ed accertarsi che in quel punto non vi siano astanti.
- Se si sta lavorando in una zona residenziale, pianificare la direzione di caduta in modo che ramo non cada su una strada, non colpisca un edificio e non venga a contatto con linee elettriche adiacenti, ecc.
- Se l'albero si trova su un terreno inclinato, lavorare in salita rispetto alla direzione di caduta. Un ramo infatti tende a rimbalzare o a rotolare in discesa.

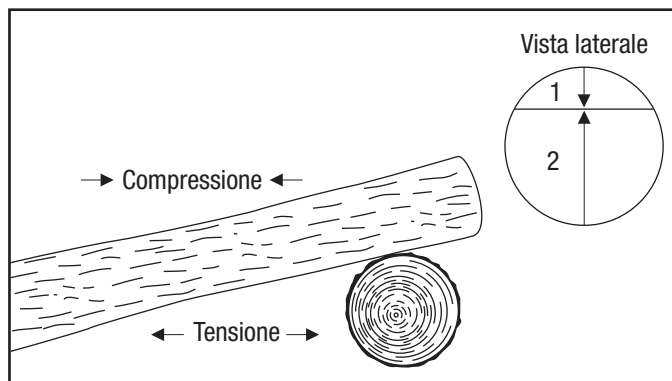
### COMPRESSIONE E TENSIONE

Tutti i rami sono sottoposti a due forze agenti, compressione e tensione. Man mano che vengono tagliati, la compressione tende a riavvicinare le due sezioni tagliate, mentre la tensione tende a separarle.

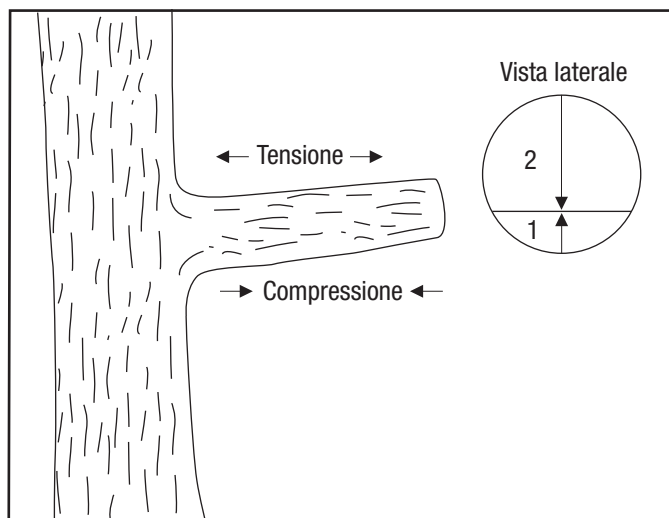
Vedere le illustrazioni in merito. Un ramo sostenuto da ambo le estremità è sottoposto a compressione sulla sommità, mentre un ramo sostenuto da una sola estremità è sottoposto a compressione dal basso.

Accertarsi di tagliare prima sul lato della compressione. Tagliare fino all'incirca ad 1/3 del diametro del ramo. Effettuare il secondo taglio sul lato della tensione. In questo modo si riduce la possibilità che la motosega si impigli nel taglio.

**Compressione sulla sommità**



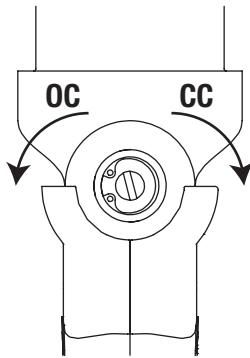
**Compressione sul fondo**



## Installazione di Super Spool™

Il prodotto Super Spool consente di usare l'attrezzo su impianti idraulici a centro aperto o a centro chiuso.

1. Inserire un cacciavite nell'incasso della bobina.
2. In caso di utilizzo:
  - Dell'impianto idraulico a centro aperto, ruotare la Super Spool in senso antiorario fin quando si arresta.
  - Dell'impianto idraulico a centro chiuso, ruotare la Super Spool in senso orario fin quando si arresta.



## Tubi flessibili ed attacchi

### Installazione e manutenzione

Vedere la pubblicazione 99930323, SAE J1273 (Tubo flessibile e gruppi di tubi).

### Ricambi

Vedere il catalogo generale Greenlee o la pubblicazione 99910322, Tubi flessibili, adattatori e collegamenti rapidi a bassa pressione.

## Collegamenti dei tubi flessibili

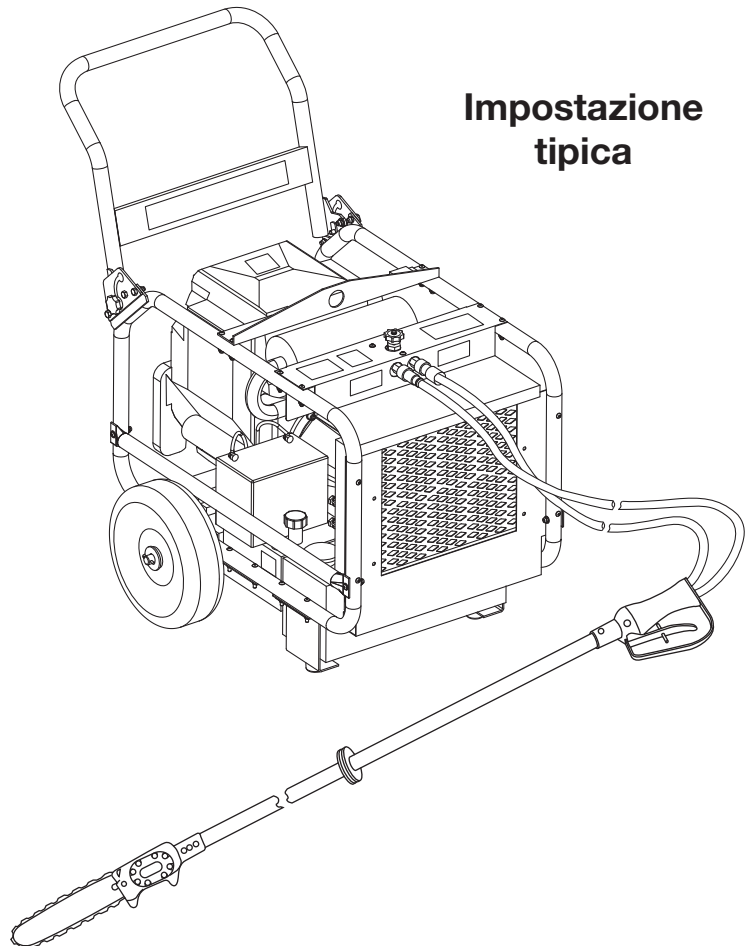
### Collegamento dei tubi flessibili

1. Spostare in posizione OFF (chiusa) la leva del flusso sulla fonte idroelettrica.
2. Arrestare la sorgente di alimentazione idraulica.
3. Collegare il tubo del serbatoio all'apertura del serbatoio (di ritorno) sulla fonte idroelettrica, quindi all'apertura del serbatoio sull'attrezzo.
4. Collegare il tubo della pressione all'apertura della pressione o al giunto del tubo sull'attrezzo, quindi all'apertura della pressione sulla fonte idroelettrica.


### Scollegamento dei tubi flessibili

1. Spostare in posizione OFF (chiusa) la leva del flusso sulla fonte idroelettrica.
2. Arrestare la sorgente di alimentazione idraulica.
3. Scollegare il tubo della pressione dalla sorgente di alimentazione, quindi dall'attrezzo.
4. Scollegare il tubo del serbatoio dall'attrezzo, quindi dalla fonte idroelettrica.
5. Per evitare la contaminazione, installare sulle aperture i tappi di protezione contro la polvere.

## Impostazione tipica





**Funzionamento**


	<b>⚠ AVVERTENZA</b>
	<p>Pericolo di scossa elettrica:</p> <ul style="list-style-type: none"> <li>• Questo strumento è stato testato per essere conforme all'OSHA 1910.269 (test a secco) quando è stato prodotto. Per garantire proprietà continue di non conduzione, deve essere pulito e mantenuto correttamente. Dovendo fare uso dell'attrezzo in prossimità di linee elettriche alimentate, avvalersi esclusivamente di tubi flessibili non conduttivi omologati e di dispositivi adeguati per la protezione del personale addetto ai lavori.</li> <li>• Dovendo lavorare in prossimità di linee elettriche alimentate, tenere il tubo di estensione in fibre di vetro pulito ed asciutto. L'accumulo di olio o sporco riduce le proprietà isolanti dell'attrezzo.</li> </ul> <p>L'inosservanza di queste avvertenze potrebbe causare gravi infortuni personali o la morte.</p>


	<b>⚠ AVVERTENZA</b>
	<p>Pericolo di infiltrazione sotto la pelle:</p> <ul style="list-style-type: none"> <li>• Non usare le mani per controllare la presenza di perdite.</li> <li>• Non tenere in mano il tubo flessibile o gli accoppiatori con l'impianto elettrico pressurizzato.</li> <li>• Depressurizzare l'impianto idraulico prima di eseguire un intervento di manutenzione.</li> </ul> <p>l'olio sotto pressione perfora facilmente la pelle, causando gravi infortuni, cancrena o la morte. In caso di infortunio causato da fuoriuscita d'olio, consultare immediatamente un medico.</p>

	<b>⚠ AVVERTENZA</b>
	<p>Durante l'uso della motosega, la parte centrale, la barra, la lama ed altri componenti diventano molto caldi. Fare attenzione quando si maneggiano queste parti. Superfici molto calde possono causare gravi ustioni.</p> <p>L'inosservanza di questa avvertenza potrebbe causare gravi infortuni o la morte.</p>

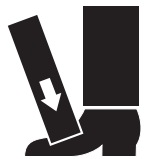
	<b>⚠ AVVERTENZA</b>
	<p>Prima di usare questo attrezzo, indossare un elmetto.</p> <p>L'inosservanza di questa avvertenza potrebbe causare gravi infortuni o la morte.</p>

	<b>⚠ AVVERTENZA</b>
	<p>Prima di azionare la sega, leggere e comprendere le seguenti spiegazioni contenute nel manuale:</p> <ul style="list-style-type: none"> <li>• Ritiro Si verifica quando la lama al fondo della barra arriva a contatto con un oggetto estraneo, come ad esempio un chiodo, oppure quando la lama rimane impigliata nel taglio. La lama viene allontanata dall'operatore, improvvisamente e con forza.</li> <li>• Spinta Si verifica quando la lama in cima alla barra arriva a contatto con un oggetto estraneo, come ad esempio un chiodo, oppure quando la lama rimane impigliata nel taglio. La lama viene spinta verso l'operatore, improvvisamente e con forza.</li> <li>• Reazione Si verifica quando la catena in prossimità della punta della barra di guida arriva a contatto con qualcosa. La barra della sega si sposta verso l'alto ed indietro, verso l'operatore. L'inosservanza di questa avvertenza potrebbe causare gravi infortuni o la morte.</li> </ul>

	<b>⚠ AVVERTENZA</b>
	<p>Indossare occhiali di protezione quando si usa questo attrezzo o quando se ne esegue la manutenzione.</p> <p>Il mancato utilizzo della protezione per gli occhi potrebbe causare gravi infortuni provocati da detriti vaganti o dall'olio idraulico.</p>

	<b>⚠ AVVERTENZA</b>
	<p>Indossare cuffie protettive per l'udito durante l'uso di questo attrezzo.</p> <p>L'esposizione prolungata ad alti livelli di disturbo potrebbe causare danni all'udito.</p>

**Funzionamento (continua)**

	<b>⚠ AVVERTENZA</b>
	<p>Indossare stivali o scarpe pesanti durante l'uso di questo attrezzo.</p> <p>L'inosservanza di questa avvertenza potrebbe causare gravi infortuni.</p>

<b>⚠ AVVERTENZA</b>
<p>Non scollegare l'attrezzo, i tubi flessibili o gli attacchi mentre la fonte di alimentazione è attivata o se l'olio idraulico è molto caldo. Fluido idraulico molto caldo potrebbe causare gravi ustioni.</p>

<b>⚠ ATTENZIONE</b>
<p>Pericolo di vibrazioni:</p> <p>Applicare solo la pressione sufficiente per eseguire il lavoro. Una pressione eccessiva applicata sull'attrezzo può causare disagi o riduzione di sensibilità e agilità dell'operatore.</p> <p>L'inosservanza di questa precauzione potrebbe causare infortuni.</p>

<b>IMPORTANTE</b>
<ul style="list-style-type: none"> <li>• Controllare con regolare frequenza il funzionamento dell'oliatore automatico. Vedere Controllo ed impostazione dell'oliatore della catena automatica in questo manuale.</li> <li>• Controllare con regolare frequenza la catena per accertarsi che sia ben tesa ed affilata. Tirare ed affilare la catena secondo necessità. Vedere le istruzioni sotto Manutenzione della catena e della barra.</li> <li>• Controllare con frequenza il livello del liquido nel serbatoio della fonte di alimentazione. L'oliatore automatico utilizza liquido idraulico per lubrificare la barra e la catena e pertanto con il tempo il livello del liquido si riduce.</li> </ul>

<b>IMPORTANTE</b>
<p>Procedura di arresto di emergenza:</p> <ol style="list-style-type: none"> <li>1. Rilasciare il meccanismo di sicurezza.</li> <li>2. Chiudere la fonte idroelettrica.</li> </ol>

Le istruzioni aggiuntive che seguono provengono da EN 50110-1:

- Per evitare scosse elettriche e prevenire infortuni o folgorazione:

- a) l'operatore deve essere adeguatamente preparato o avere un livello adeguato di esperienza

**oppure**

- b) l'operatore deve lavorare sotto la supervisione diretta di un'altra persona con un livello adeguato di preparazione o esperienza.

- Questo attrezzo non va utilizzato in caso di condizioni atmosferiche avverse, inclusi temporali con lampi, qualsiasi segno di temporale in vista (tuoni) ed in caso di scarsa visibilità.

- Se una delle linee elettriche o altri componenti elettrici portano livelli di tensione superiori a 50 V c.a. o 120 V c.c., accertarsi che:

- a) non arrivino a toccare persone - usare schermi, barriere, custodie o coperture di isolamento

**oppure**

- b) la zona di lavoro sotto alimentazione non arrivi a contatto con persone, l'attrezzo o altri accessori.

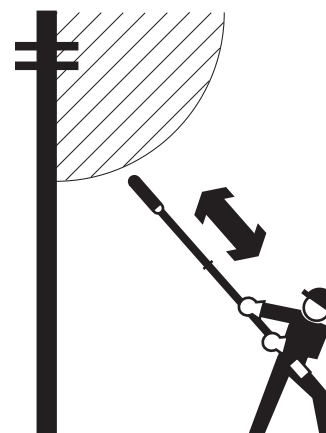
La zona di lavoro sotto alimentazione corrisponde alla distanza da qualsiasi parte alimentata elettricamente, in base alla tensione che essa trasmette. Per informazioni in merito, fare riferimento a EN 50110-1, Appendice A.

*Nota: mantenere sempre un buon equilibrio durante l'utilizzo dell'attrezzo. Evitare di sporgersi. Un equilibrio non adeguato potrebbe impedire all'operatore di reagire a movimenti improvvisi dell'attrezzo.*

1. Afferrare l'impugnatura anteriore con una mano e l'impugnatura del meccanismo di sicurezza con l'altra.
2. Spostare il gancio di sicurezza del meccanismo in avanti e tirare il meccanismo fin quando la motosega non raggiunge il pieno regime.
3. Far procedere la motosega rotante applicando una pressione omogenea e costante.

*Nota: effettuare un taglio diritto attraverso il legno, senza girare la sega.*

4. Per arrestare la sega, rilasciare il meccanismo di sicurezza.
5. Quando l'attrezzo non viene usato, arrestare la fonte di alimentazione per ridurre il calore e l'usura sui componenti.





## Manutenzione

	<b>⚠ AVVERTENZA</b>
	<p>Indossare occhiali di protezione quando si usa questo attrezzo o quando se ne esegue la manutenzione.</p> <p>Il mancato utilizzo della protezione per gli occhi potrebbe causare gravi infortuni provocati da detriti vaganti o dall'olio idraulico.</p>

<b>⚠ AVVERTENZA</b>
<p>Non cambiare gli accessori, oppure ispezionare o pulire l'attrezzo quando questo è collegato ad una sorgente di alimentazione. L'avvio accidentale può causare gravi infortuni.</p> <p>L'inosservanza di queste avvertenze potrebbe causare gravi infortuni personali o la morte.</p>

### PROGRAMMA

Per garantire una vita utile massima dell'attrezzo, seguire questo programma di manutenzione.

*Note: Mantenere pulite e leggibili le decalcomanie sull'attrezzo. Sostituirle se necessario.*

*Al momento di smaltire dei componenti (tubi idraulici, fluido idraulico, parti usurate, ecc.), attenersi alle leggi federali, statali o locali vigenti o alle ordinanze.*

### Quotidianamente

1. Pulire tutte le superfici dell'attrezzo.
2. Prima dell'uso, ispezionare l'intera sega. Tendere ed affilare la catena, come indicato nella sezione Manutenzione della catena e della barra. Una catena non bene affilata, oppure usurata o danneggiata aumenta il rischio di reazione.
3. Controllare il funzionamento dell'oliatore automatico prima dell'uso, come indicato nella sezione Controllo ed impostazione dell'oliatore automatico della catena. Un oliatore non bene impostato accelera l'usura della catena e della barra.
4. Ispezionare i tubi idraulici e gli attacchi per accertare l'assenza di perdite, incrinature, usura o danni. Sostituire secondo necessità.
5. Quando l'attrezzo non è collegato, installare sulle aperture i tappi di protezione contro la polvere.

### Mensilmente

1. Eseguire un'ispezione completa dei tubi idraulici e relativi attacchi, come spiegato nella pubblicazione 99930323, SAE J1273 (Tubo flessibile e gruppi dei tubi).
2. Eseguire la procedura di manutenzione della barra, come descritto nella sezione Manutenzione della catena e della barra.

3. Far girare la motosega a regime massimo e rilasciare il meccanismo di sicurezza. Prendere nota del tempo che occorre affinché la motosega si arresti completamente (tempo di arresto). Confrontare tale valore ai tempi di arresto registrati durante i mesi precedenti.

Un aumento di tale valore indica che i componenti della valvola del meccanismo di sicurezza sono sporchi o usurati. Far pulire o riparare l'attrezzo da un centro di assistenza Greenlee autorizzato.

### Una volta l'anno

Se prescritto dalle norme interne dell'azienda, fare ispezionare l'attrezzo da un centro di servizio autorizzato Greenlee.

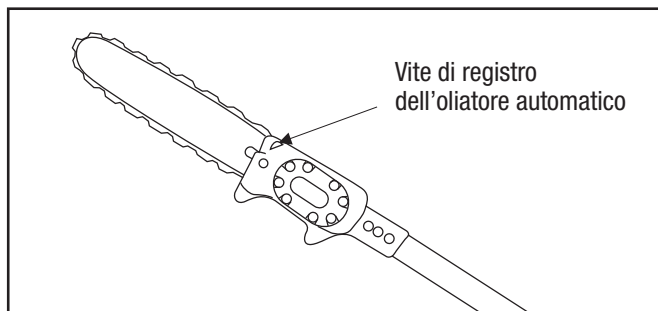
### CONTROLLO ED IMPOSTAZIONE DELL'OLIATORE AUTOMATICO DELLA CATENA

L'oliatore automatico della catena invia continuamente olio per lubrificare la barra e la catena quando la motosega è in funzione. Una vite di registro regola il flusso dell'olio.

Prima di regolare l'oliatore automatico, pulire il passaggio dell'olio nella base della barra di guida. La fuoriuscita di olio dalla testa della sega, dalla copertura degli ingranaggi o dalla barra indica che il passaggio dell'olio è ostruito.

1. Far girare la motosega a regime massimo.
  2. Se dalla punta della sega fuoriesce una leggera nebbiolina di olio, l'oliatore automatico funziona correttamente. In caso contrario, procedere alla regolazione dell'oliatore.
- Nota: per ottenere dei risultati migliori, tenere la sega in modo che la punta della lama punti verso un foglio di carta o un pezzo di cartone pulito e far girare la sega a regime massimo. Se l'oliatore automatico funziona correttamente, sulla carta o sul cartone appaiono delle piccole gocce di olio.*
3. Arrestare la fonte idroelettrica.
  4. Serrare completamente la vite dell'oliatore fin quando non è assestata. Allentare di 1/4 di giro in senso antiorario.

#### Vite di registro dell'oliatore automatico



5. Avviare la sorgente di alimentazione idraulica.
6. Continuare a allentare la vite dell'oliatore di 1/4 di giro per volta fin quando l'uscita dell'oliatore non è regolata correttamente.



## Manutenzione (continua)

### MANUTENZIONE DELLA CATENA E DELLA BARRA

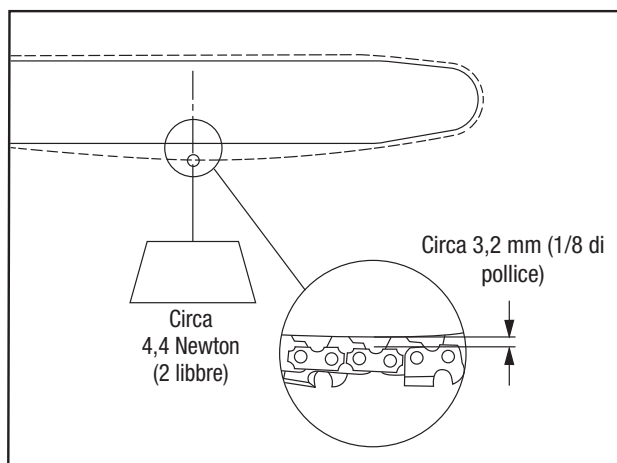
#### Rodaggio di una catena nuova

1. Far girare la motosega a bassa velocità senza tagliare il legno per 2-3 minuti. Controllare l'uscita dall'oliatore automatico.
2. Arrestare la sorgente di alimentazione idraulica. Scollegare i tubi flessibili. Attendere che la barra e la catena si raffreddino. Controllare la tensione della catena e regolarla secondo necessità.
3. Collegare i tubi flessibili. Avviare la sorgente di alimentazione. Effettuare alcuni tagli piccoli a velocità della catena moderata.
4. Arrestare la sorgente di alimentazione idraulica. Scollegare i tubi flessibili. Attendere che la barra e la catena si raffreddino. Controllare la tensione della catena e regolarla secondo necessità.
5. Collegare i tubi flessibili. Avviare la sorgente di alimentazione. Usare la motosega per effettuare piccoli tagli durante i 30 minuti successivi di utilizzo.

#### Controllo della tensione della catena

1. Arrestare la fonte idroelettrica. Scollegare i tubi flessibili. Attendere che la barra e la catena si raffreddino.
2. Tirare la catena della sega intorno alla barra; la catena dovrebbe ruotare intorno alla barra con facilità. In caso contrario, vedere La catena ruota manualmente con difficoltà, nella tabella Risoluzione dei problemi.
3. Controllare la tensione come segue:  
tirare la catena allontanandola dalla barra (vedere l'illustrazione) applicando circa 4,4 Newton (2 libbre) di forza. La distanza tra la catena e la barra deve essere di circa 3,2 mm (1/8 di pollice). Se tale distanza è eccessiva o non sufficiente, procedere con la Regolazione della tensione della catena.

Tensión adecuada de la cadena



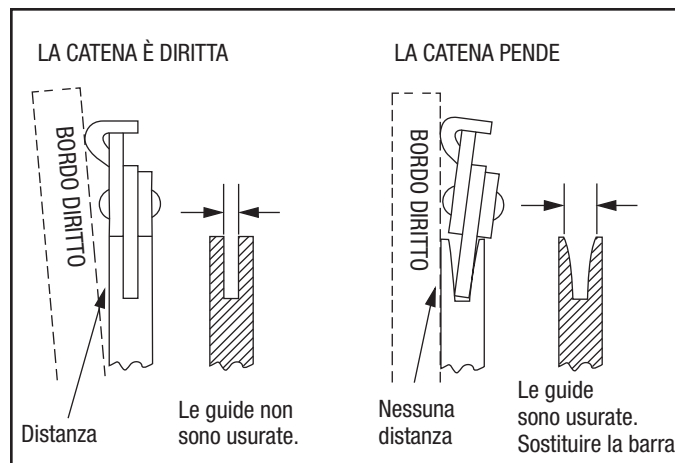
#### Regolazione della tensione della catena

1. Allentare le due viti di registro della barra di guida.
2. Ruotare le viti di registro della tensione della catena fino a raggiungere la tensione desiderata, come segue:  
tirare la catena allontanandola dalla barra (vedere l'illustrazione) applicando circa 4,4 Newton (2 libbre) di forza. La distanza tra la catena e la barra deve essere di circa 3,2 mm (1/8 di pollice).
3. Tenere la punta della barra in alto e serrare i due dadi a flangia della barra. Serrare a 16,9 Newton-metri (150 pollici-libbre).
4. Controllare nuovamente la tensione della catena.
5. Ruotare manualmente la catena intorno alla barra. Se si sente un clic, le maglie di azionamento della catena colpiscono la barra. Ripetere la procedura di Regolazione della tensione della catena.

#### Interventi di assistenza sulla barra

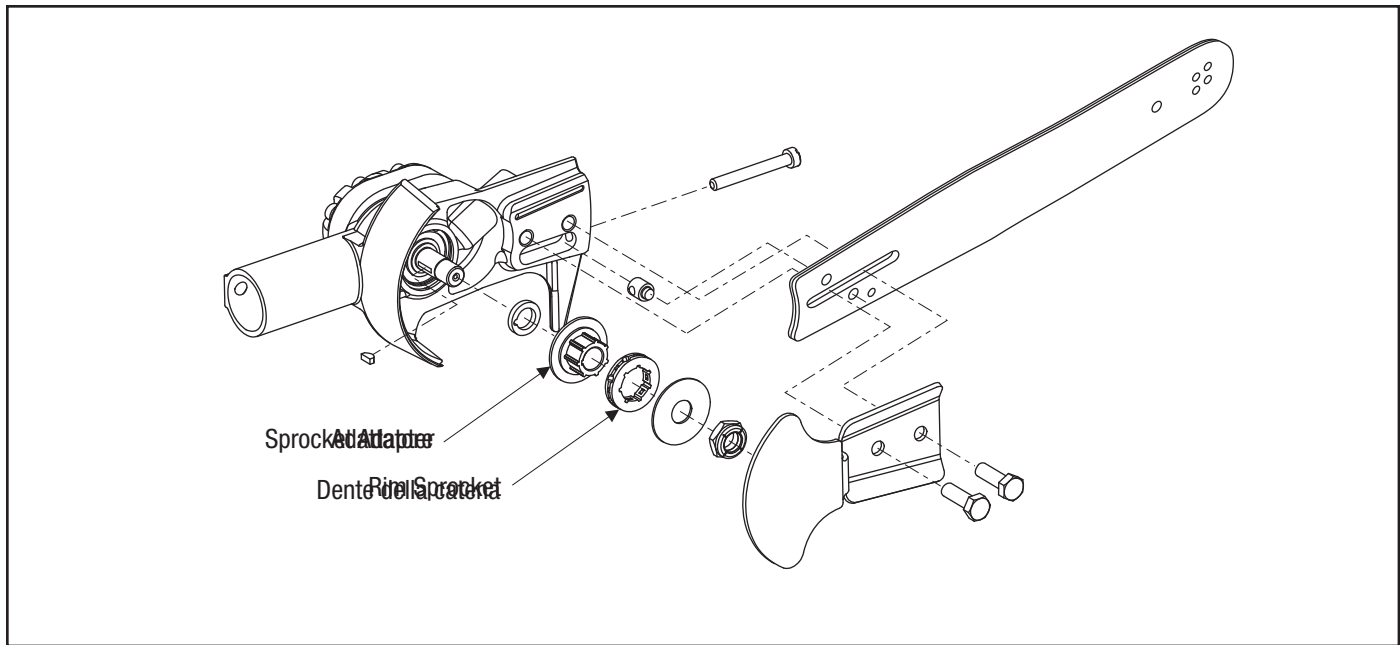
1. Contrassegnare la sommità della barra con un ingrassatore o un pennarello.
2. Rimuovere la catena e la barra. Usare una piccola spazzola per rimuovere tutti i residui dalla scanalatura della barra.
3. Pulire il passaggio dell'olio alla base della barra di guida. Avvalendosi di un piccolo attrezzo, pulire con cura il passaggio.
4. Controllare che le guide della barra non siano usurate poggiando un regolo contro il lato della barra ed una lama di taglio.
  - La distanza tra la barra ed il regolo indica che le guide non sono usurate.
  - Se la catena pende e la distanza tra la barra ed il regolo è quasi inesistente, le guide della barra sono usurate ed occorre sostituire la barra. mplazada.

Controllo dell'usura sulle guide

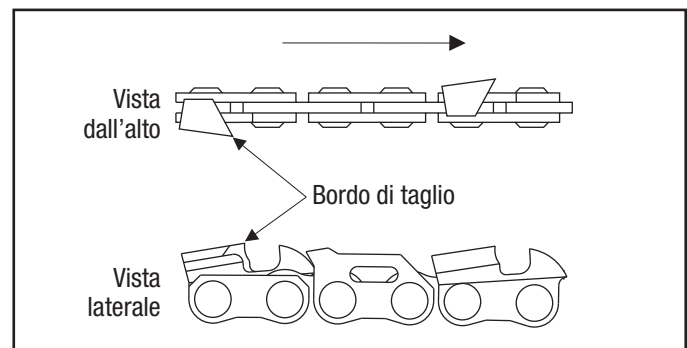


**Manutenzione (continua)**

5. Ispezionare i denti della catena e l'adattatore.  
Sostituirli se risultano danneggiati.

**Denti della catena ed adattatore**


6. Usare il lato contrassegnato alla fase 1 per installare la barra capovolta, in modo da uniformare l'usura.
7. Installare la catena come indicato in figura. Regolare la tensione della catena, come descritto nella sezione Regolazione della tensione della catena.

**Direzione della catena**


## Manutenzione (continua)

### AFFILATURA DELLA CATENA DELLA SEGA

La catena della sega deve essere affilata secondo le specifiche del fabbricante. In caso contrario, il rischio di reazione aumenta.

Se si usa una guida di limatura o un'affilatrice portatile, fare riferimento alle istruzioni del fabbricante in dotazione all'unità.

Tutte le motoseghe per applicazioni profonde sono dotate della seguente catena:

Vedere illustrazione:	Figura A	Figura B	Figura C	Figura D	Figura E	—	Figura F	—
	Passo	Indicatore	Angolazione piastra laterale	Angolazione di taglio piastra superiore	Angolazione di limatura piastra superiore	Angolazione guida di limatura	Impostazione degli indicatori della profondità	Misura lima rotonda
	0,325 pollici	0,058 pollici	85°	60°	30°	10°	0,025 pollici	3/16 di pollice

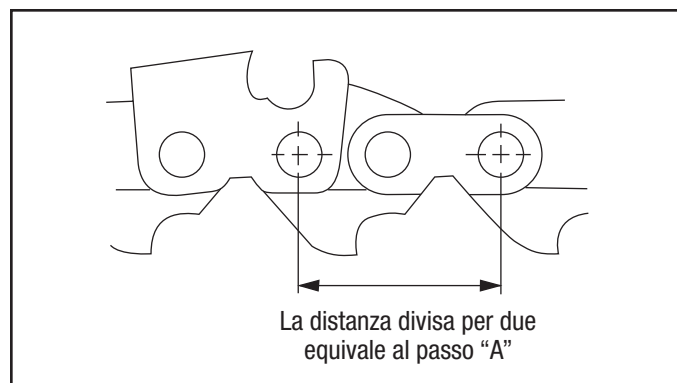
#### Passo della catena

Vedere la Figura A. Per passo si intende la misura della catena, che corrisponde alla distanza tra tre rivetti consecutivi divisa per due. Esempio: 0,65 diviso per due equivale ad un passo di 0,325.

#### Indicatore della catena

Vedere la Figura B. Per indicatore si intende lo spessore di quella sezione delle maglie che entra nella scanalatura della barra di guida. L'indicatore della barra di guida e della catena devono corrispondere. Gli standard del settore sono 0,050, 0,058 e 0,063.

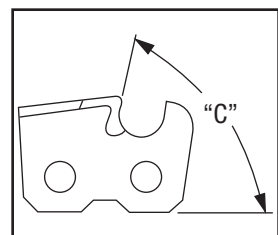
**Figura A**  
Passo



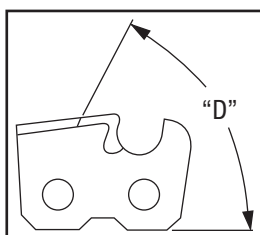
**Figura B**  
Indicatore



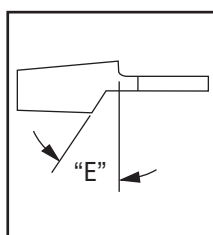
**Figura C**  
Angolazione piastra laterale



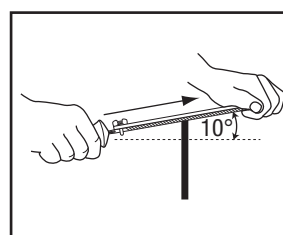
**Figura D**  
Angolazione di taglio piastra superiore



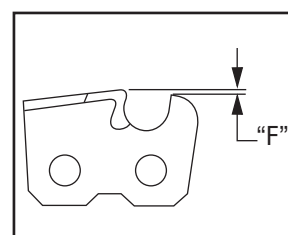
**Figura E**  
Angolazione di limatura piastra superiore



Angolazione guida di limatura



**Figura F**  
Impostazione degli indicatori della profondità

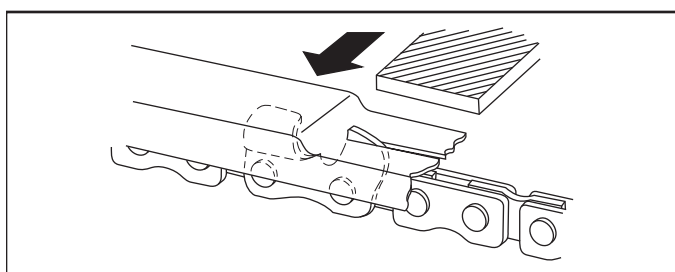


## Manutenzione (continua)

### Indicatori della profondità di limatura

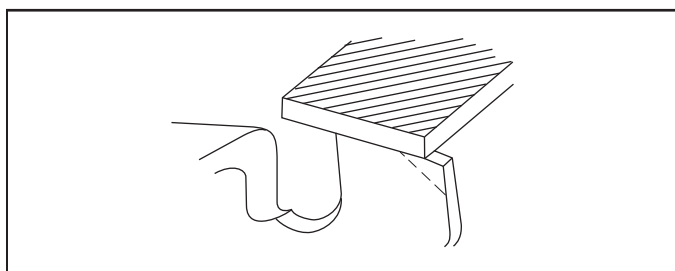
1. Se le lame di taglio vengono affilate con un portailima, controllare ed abbassare gli indicatori della profondità prima di affilare le lame di taglio.
2. Controllare gli indicatori della profondità ogni tre limature.
3. Porre l'attrezzo di misura della profondità sulla lama di taglio. Se l'indicatore sporge, limarlo a livello con la sommità dell'attrezzo. Limare sempre dall'interno della catena procedendo verso la lama di taglio esterna.

#### Abbassamento degli indicatori della profondità



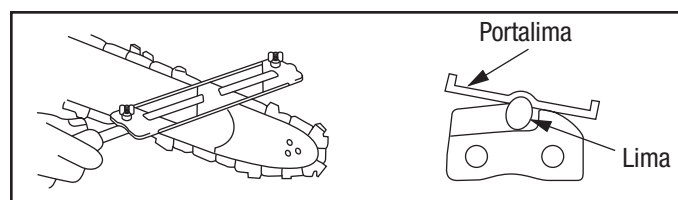
4. Smussare l'angolo anteriore per mantenere la forma originale dell'indicatore della profondità dopo aver utilizzato l'attrezzo di misura. Seguire sempre l'impostazione consigliata per l'indicatore dal fabbricante della catena. Questo è molto importante per garantire le massime prestazioni della catena stessa e per proteggere l'operatore da improvvise reazioni.

#### Smussamento degli indicatori della profondità

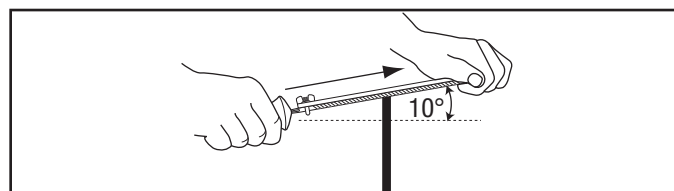


### Filatura delle lame di taglio - Generalità

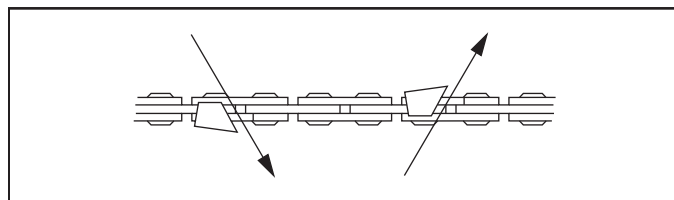
1. Sostenere il portailima sulla piastra superiore della lama e l'indicatore di profondità come indicato in figura.



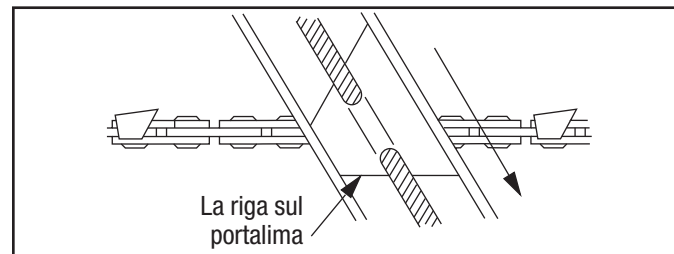
2. Posizionare la lima ad un'angolazione di 10 gradi rispetto alle lame di taglio.



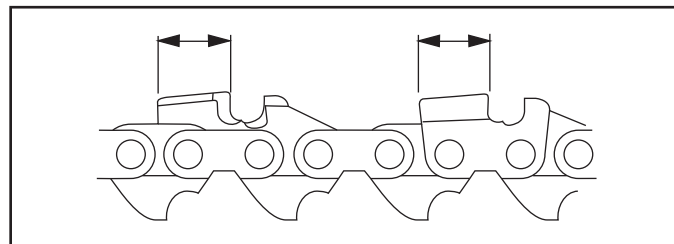
3. Limare le lame di taglio su un lato della catena, procedendo dall'interno verso l'esterno. Limare solo con un movimento in avanti.



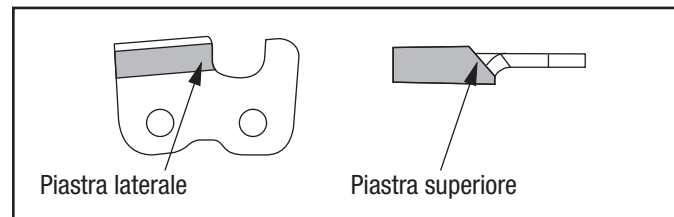
4. Tenere la riga sul portailima parallela al centro della catena. Invertire la procedura per l'altro lato.



5. Tenere tutte le lame di taglio alla stessa lunghezza.



6. Limare quanto basta per rimuovere eventuali danni ai bordi di taglio (piastra laterale e superiore) della lama.



## Risoluzione dei problemi

Prima di tentare di risolvere un problema, determinare se il problema risiede nell'attrezzo, nei tubi flessibili o nella fonte di alimentazione. Usare un attrezzo, i tubi o la sorgente di alimentazione di cui si conosce il corretto funzionamento in sostituzione del corrispondente componente non funzionante.

Se il problema risiede nell'attrezzo, vedere la tabella della risoluzione dei problemi inclusa in questo manuale. Se il problema risiede nella sorgente di alimentazione, vedere la sezione per la risoluzione dei problemi nel manuale della sorgente di alimentazione.

Problema	Causa Probabile	Rimedeo Probabile
L'attrezzo non funziona.	Sorgente di alimentazione non corretta.	Verificare che la sorgente di alimentazione soddisfi le specifiche dell'attrezzo. Consultare la sezione Specifiche.
	Basso livello dell'olio idraulico.	Controllare il livello dell'olio. Controllare il sistema per eventuali perdite.
	La viscosità dell'olio idraulico non è quella corretta.	Usare olio idraulico della corretta viscosità. Consultare la sezione Specifiche.
L'attrezzo funziona lentamente e in modo discontinuo.	L'olio idraulico è freddo.	Attendere che l'olio idraulico si riscaldi alla temperatura d'esercizio. Azionare ad intermittenza l'attrezzo per ridurre i tempi di riscaldamento.
	La sorgente di alimentazione non è regolata correttamente.	Vedere il manuale operativo della sorgente di alimentazione. Regolare il flusso e la pressione in corrispondenza con l'attrezzo.
	Basso livello dell'olio idraulico.	Controllare il livello dell'olio. Controllare il sistema per eventuali perdite.
	Aria nel sistema idraulico.	Vedere le istruzioni del produttore della sorgente di alimentazione su come rimuovere l'aria dal sistema.
	La viscosità dell'olio idraulico non è quella corretta.	Usare olio idraulico della corretta viscosità. Consultare la sezione Specifiche.
Il meccanismo di sicurezza si blocca quando viene rilasciato.	Sul meccanismo di sicurezza o sulla bobina sono presenti sporco o depositi gommosi.	Pulire e lubrificare il meccanismo e la bobina.
La catena funziona nella direzione sbagliata.	I collegamenti dei tubi flessibili sono invertiti.	Depressurizzare l'impianto idraulico. Invertire i collegamenti dei tubi flessibili.

### Risoluzione dei problemi (continua)

Problema	Causa Probabile	Rimedio Probabile
La catena non taglia.	La catena non è affilata.	Rimuovere la catena ed affilarla secondo le specifiche del fabbricante o sostituirla con una catena affilata.
	Troppa tensione sulla catena.	Regolare la tensione della catena. Vedere la sezione Manutenzione della catena e della barra.
	L'oliatore automatico non lubrifica la catena e la barra.	Vedere Controllo ed impostazione dell'oliatore automatico della catena.
	Catena installata al contrario.	Rimuovere la catena ed installarla in modo corretto.
	Barra di guida usurata.	Ispezionare le guide della barra per accertarsi che non siano usurate. Vedere la sezione Manutenzione della catena e della barra. Se il livello di usura è eccessivo, sostituire la barra di guida.
L'utensile è molto caldo al tatto.	Basso livello dell'olio idraulico.	Controllare il livello dell'olio. Controllare il sistema per eventuali perdite.
	La viscosità dell'olio idraulico non è quella corretta.	Usare olio idraulico della corretta viscosità. Consultare la sezione Specifiche.
	L'olio idraulico è sporco.	Vedere il manuale dell'utente della sorgente di alimentazione per la procedura da seguire per sostituire il filtro e l'olio idraulico.
La catena ruota manualmente con difficoltà.	Nel motore della catena è presente pressione idraulica.	Rilasciare la pressione idraulica applicando la procedura di scollegamento dei tubi flessibili. Vedere la sezione Collegamenti dei tubi flessibili.
	La catena e la barra non sono regolate adeguatamente.	Vedere Regolazione della tensione della catena e Manutenzione della catena e della barra, in questo manuale.
	Le maglie della catena sono danneggiate.	Rimuovere la catena ed ispezionarne le maglie.
	Scanalatura della barra danneggiata.	Rimuovere la catena ed ispezionare la scanalatura della barra.

## SERVICE INFORMATION

### **WARNING**

**Service:**

**Have your tool serviced by a qualified repair person using only identical replacement parts.** This will ensure that the safety of the power tool is maintained.

Failure to observe this warning could result in severe injury or death.

## Disassembly

Complete disassembly of the tool is not recommended. If a complete overhaul is necessary, return the tool to your nearest Greenlee Authorized Service Center.

The disassembly procedure is divided into sections of the tool. Disassemble only the section(s) necessary to complete the repair.

Disassemble the tool on a flat, clean surface. Take care not to lose or damage any parts that may fall free during disassembly.

### Inner and Outer Tubes

1. Remove cap screws (10) and lock washers (11) which secure outer tube (4). Remove tube assembly (2) from ports of handle assembly (8).
2. Remove three oval head machine screws (9) which secure tube assembly to motor assembly (1). Remove tube assembly from motor assembly.

### Handle Assembly (Serial Codes HAD and HAE)

1. Remove two round machine screws (39) from guard (38). Remove guard from handle (27).
2. Remove retaining ring (46) and trigger pivot (45), which secures trigger (41).
3. Remove retaining ring (49) to remove spool assembly (35, 36, 28–30) from handle (27).
4. Remove internal retaining ring (30) from spool (35) to remove Super Spool (28).

### Handle Assembly (Serial Codes AMT, AMS, GLZ, and GLY)

1. Remove two round head machine screws (39) and lock washers (40) from guard (38). Remove guard (38) from handle assembly (27).
2. Remove retaining ring (46) and trigger pivot (45) which secures trigger (41).
3. Remove internal retaining ring (30) from sleeve (28) which will allow spring (33) and washer (32) to be removed.

4. Remove internal retaining ring (50) and washer (37).
5. Remove spool (35) from sleeve (28).
6. Remove external retaining ring (49). Pull sleeve (28) out of handle (27).

### Saw Blade and Chain

1. Remove hex head cap screws (15). Remove cover (14). Remove saw chain from sprocket (26). Remove bar (12) from motor assembly (1). Dog and tension bolt may be removed from saw head if necessary.
2. Remove stop nut (19), sprocket adapter (26), rim sprocket (18), sprocket key (17), and sprocket washer (16) from drive shaft.

### Motor Assembly

1. Scribe a line across motor cap (55) and saw head assembly (52) to help align parts correctly during reassembly. Remove socket head cap screws (66). Remove motor cap from saw head assembly.
2. Remove idler shaft (58). Remove gear (61) from idler shaft (58). Remove gear (61) and Woodruff key (59) from drive shaft (57). Remove gasket (62) from motor. Remove dowel pins (63), if necessary.
3. Remove retaining ring (65). Drive shaft may be driven out of saw head assembly, threaded end first, using a rubber mallet. Remove ball bearing (64) from drive shaft.
4. Bearings (53 and 56) should be removed from saw head assembly and motor cap only if they are damaged. Bearings are pressed in, and should be removed only if the necessary equipment to replace them is available.
5. Remove metering screw (68), which controls oil flow to automatic chain oiler. Remove O-ring (67).

## Inspection

Clean all parts with solvent and dry them thoroughly. Inspect each component as described in this section. Replace any component that shows wear or damage.

1. Saw Head Assembly and Motor Cap Assembly: Inspect mating surfaces, gear cavities, oil passageways, etc. for grooves or nicks. If any component shows wear or damage, replace the entire assembly with the bearings already pressed in.
2. Inspect all other disassembled components for cracks, grooves or nicks.



## Assembly

Refer to the Illustrations and Parts List for correct orientation and placement of parts.

Replace any O-rings, V-rings, seals, and gaskets on parts that have been disassembled. Apply hydraulic fluid or O-ring lubricant to all O-rings and all metal surfaces which they must slide over. When installing an O-ring which must slide over sharp surfaces, use a rolling motion and be careful not to damage the O-ring.

Wherever the assembly results in metal-to-metal contact, coat the surfaces with hydraulic fluid or O-ring lubricant.

### Motor Assembly

1. If bearings (53 and 56) have been removed from the motor cap (55) and saw head (52), replace them. Install O-ring (54) in saw head.
2. Install ball bearing (64) over threaded end of drive shaft (57). Install non-threaded end of drive shaft (57) through front of cavity in saw head assembly (52). Secure with retaining ring (65). Install drive pin (60) into idler shaft (58) and install idler shaft into cavity on rear side of saw head assembly (52). Install Woodruff key (59) into drive shaft (57).
3. Install one gear (61) onto idler shaft (58), aligning notch in gear over drive pin (60). Install one gear (61) on drive shaft (57), aligning notch in gear over Woodruff key (59).
4. Install gasket (62) on saw head assembly (52). Install dowel pins (63) in saw head assembly. Install motor cap (55) on saw head assembly, using the line scribed during disassembly to align parts correctly. Secure motor cap (55) to saw head assembly with washers (70) and socket head cap screws (66). Torque to 9 newton-meters (80 in-lb).

5. If metering screw has been removed, install O-ring (67) on metering screw (68). Install metering screw, bottoming it out in the cavity, and backing it off about 1/2 turn.

*Note: Metering screw is not adjusted at this point. After assembly is completed, adjust automatic oiler before using the tool.*

6. If O-rings (69) have been removed, install a new O-ring inside each port of saw head assembly (52).

### Saw Bar and Chain

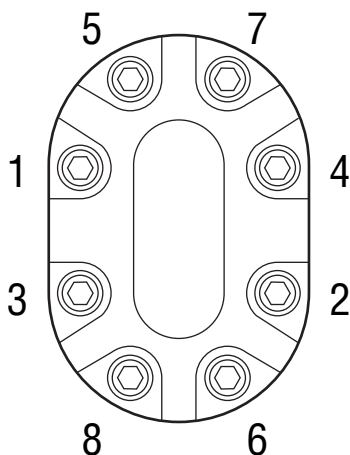
1. Install sprocket key (17), sprocket washer (16), sprocket (18), sprocket adapter (26), and stop nut (19) on threaded end of drive shaft. Ensure that sprocket adapter is assembled onto shaft with 1.500 dia. face oriented toward stop nut.
2. Set saw head down flat. Install dog (21) with small diameter side facing out. Install adjusting screw (20) into back side of saw head and thread into dog.
3. Place bar with chain wrapped around it onto saw head. Ensure dog is placed in the guide hole around the outer edge of the bar. Place cover (14) with hex head cap screws (15) over bar and secure screws into saw head loosely but enough to hold bar flat onto saw head with dog in guide hole.

4. Place chain around sprocket and bar.

*Note: Lubricate the saw chain (13) well (especially a new chain) before installation. Oil all joints and work oil into rivet holes. The best way to oil a new chain is to soak it in oil before installation.*

5. Tighten adjusting screw (20) until proper tension is achieved. (Refer to "Adjusting Chain Tension" in the "Maintenance" section of this manual.)
6. Secure hex head cap screws (15) to 16.9 newton-meters (150 in-lb).

Torque Sequence



## Assembly (cont'd)

### Handle Assembly (Serial Codes HAD and HAE)

1. Install O-ring (29) on the Super Spool (28).
2. Install Super Spool (28) into spool (35) and retain with retaining ring (30).
3. Install O-ring (34) and ring (32) in handle body (27).
4. Install O-ring (36) onto spool (35).
5. Install spool (35), washer (31), and spring (33) into handle body (27) and retain with retaining ring (49).
6. Position trigger (41) onto handle assembly. Slide trigger pivot (45) through holes and secure with retaining rings (46).
7. Position guard (38) onto handle assembly. Secure with roll pin (51) and round head machine screws (39).
8. Secure grips (37, 50) to handle using nut and bolt (40, 48).
9. Position trigger pin (44) through trigger (41), safety latch (42), and torsion spring (43). Secure with retaining rings (46).

### Handle Assembly (Serial Codes AMT, AMS, GLZ, and GLY)

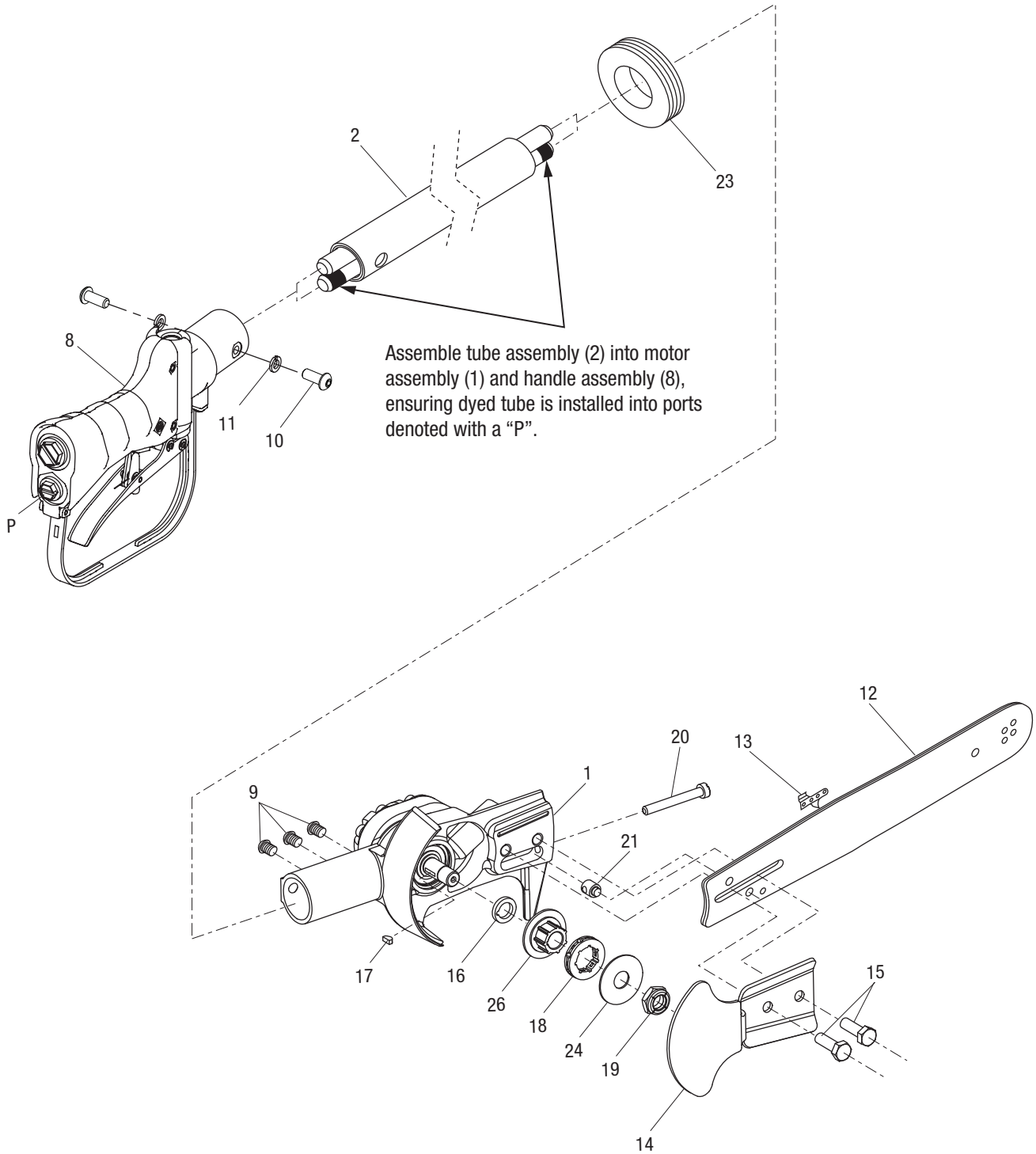
1. Install O-rings (47) in the valve handle (27).
2. Install O-ring (48) in valve handle (27). Install O-rings (34 and 48) in sleeve (28). Install sleeve (28) in valve handle (27). Secure with external retaining ring (49).
3. Install O-ring (36) on spool (35). Install spool (35) through trigger end of valve handle.
4. Install spring (33), and O-ring (32) and secure with retaining ring (30).
5. Install washer (37) and secure with retaining ring (50).
6. Position trigger (41) onto handle assembly. Slide trigger pivot (45) through holes and secure with retaining rings (46).
7. Position guard (38) onto handle assembly. Secure with lock washer (40) and round head machine screws (39).

### Inner and Outer Tubes

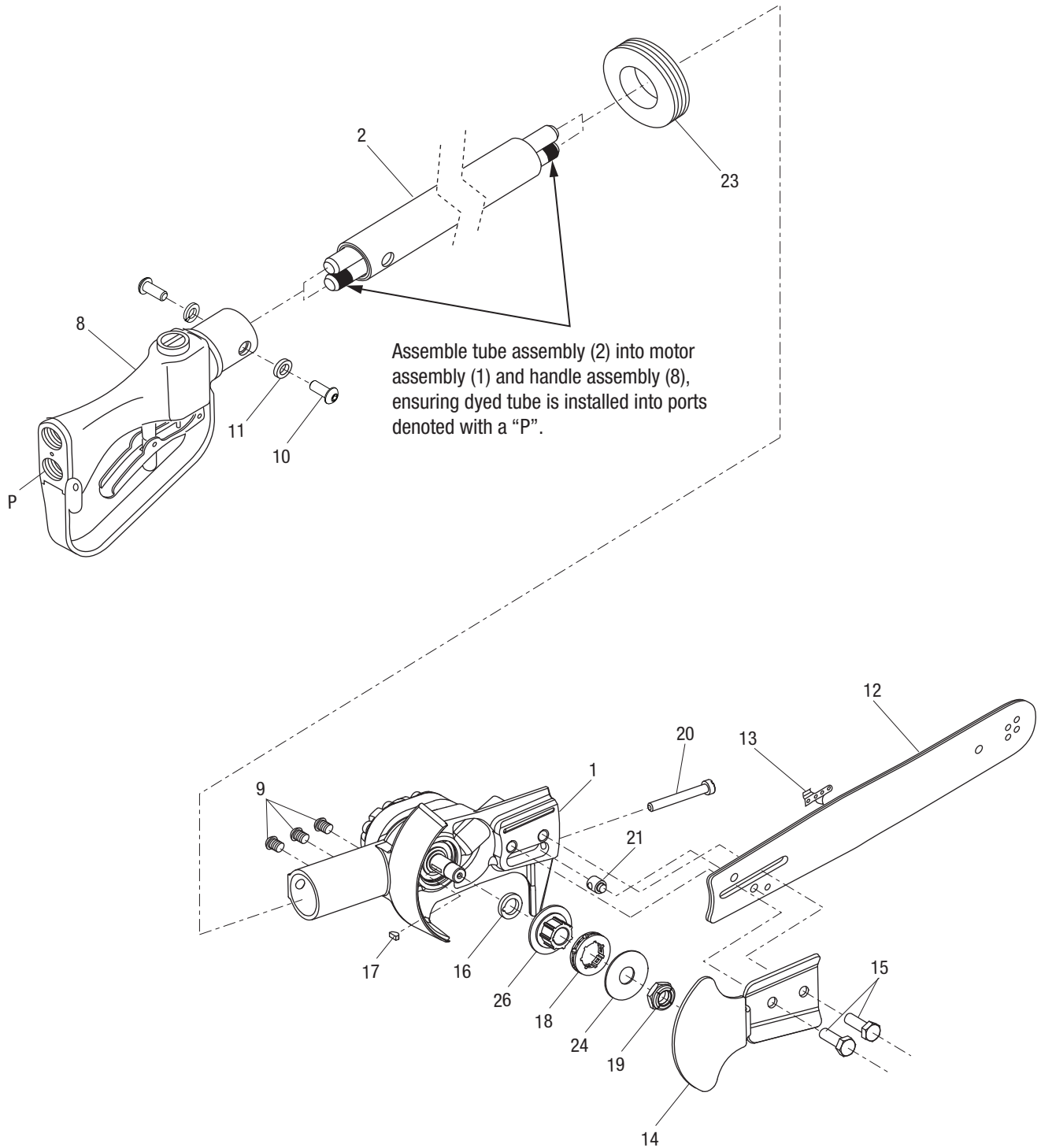
*By orienting the three holes of the outer tube with the corresponding holes on the motor assembly housing, determine which inner tube will be inserted into the pressure port in the motor housing (denoted with a "P"). Mark the end of this tube and the opposite end of this tube with a dye to insure installation into the proper port of the handle assembly, also denoted with a "P". Use care to install the marked tubes into the pressure ports of the motor assembly and the handle assembly. Improper installation will cause the saw to run backwards.*

1. Lubricate tips of inner tubes with hydraulic oil to ease assembly. Assemble tube assembly into motor assembly ensuring dyed tube is installed into port denoted with a "P". Align the three holes of the outer tube with the corresponding holes on the motor assembly. Apply one drop of thread-locking compound (Loctite 242 or equivalent) to three oval head machine screws (9). Install screws, securing outer tube to motor assembly.
2. For proper tool operation, the same inner tube that was installed in the pressure port of the motor assembly (1) **must** be installed in the pressure port of the handle assembly (8). Lubricate the tips of the inner tubes with hydraulic oil to ease assembly. Assemble tube assembly (2) into handle assembly (8) ensuring dyed tube is installed into port denoted with a "P".
3. Secure the tube assembly to the handle assembly with cap screws (10) and lock washers (11).

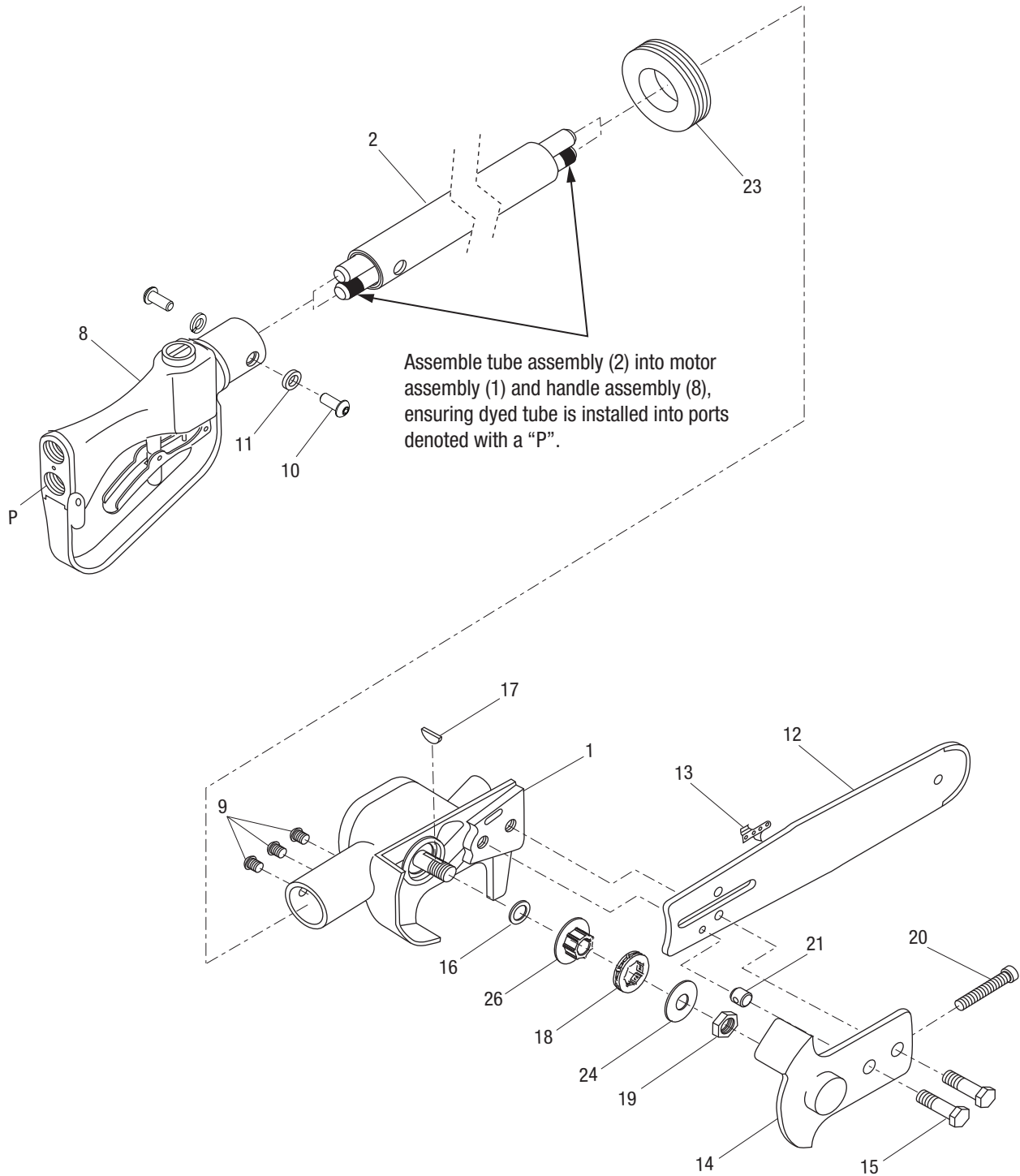
**Illustration—Main for Serial Codes HAD and HAE**



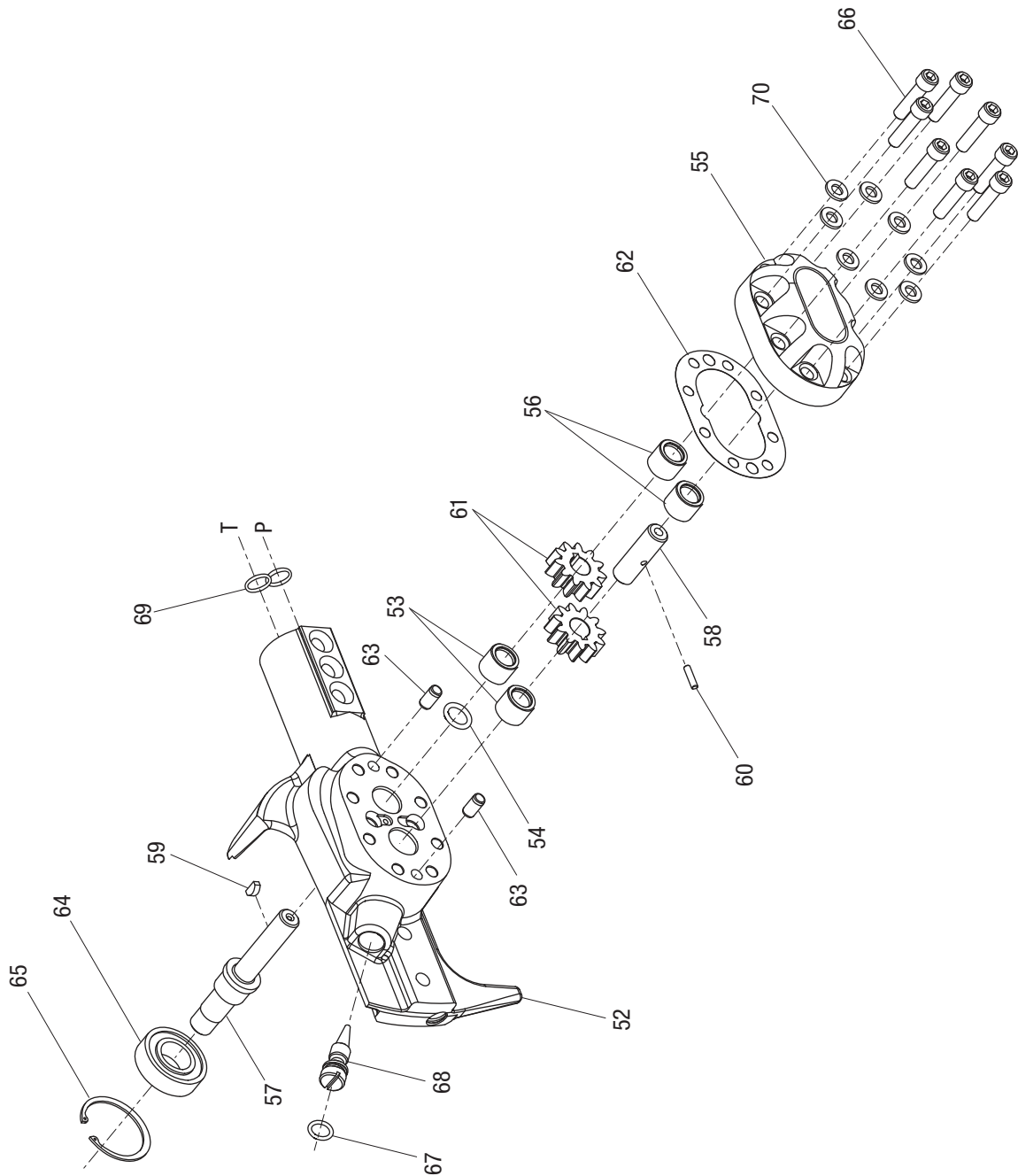
**Illustration—Main for Serial Codes AMT and AMS**



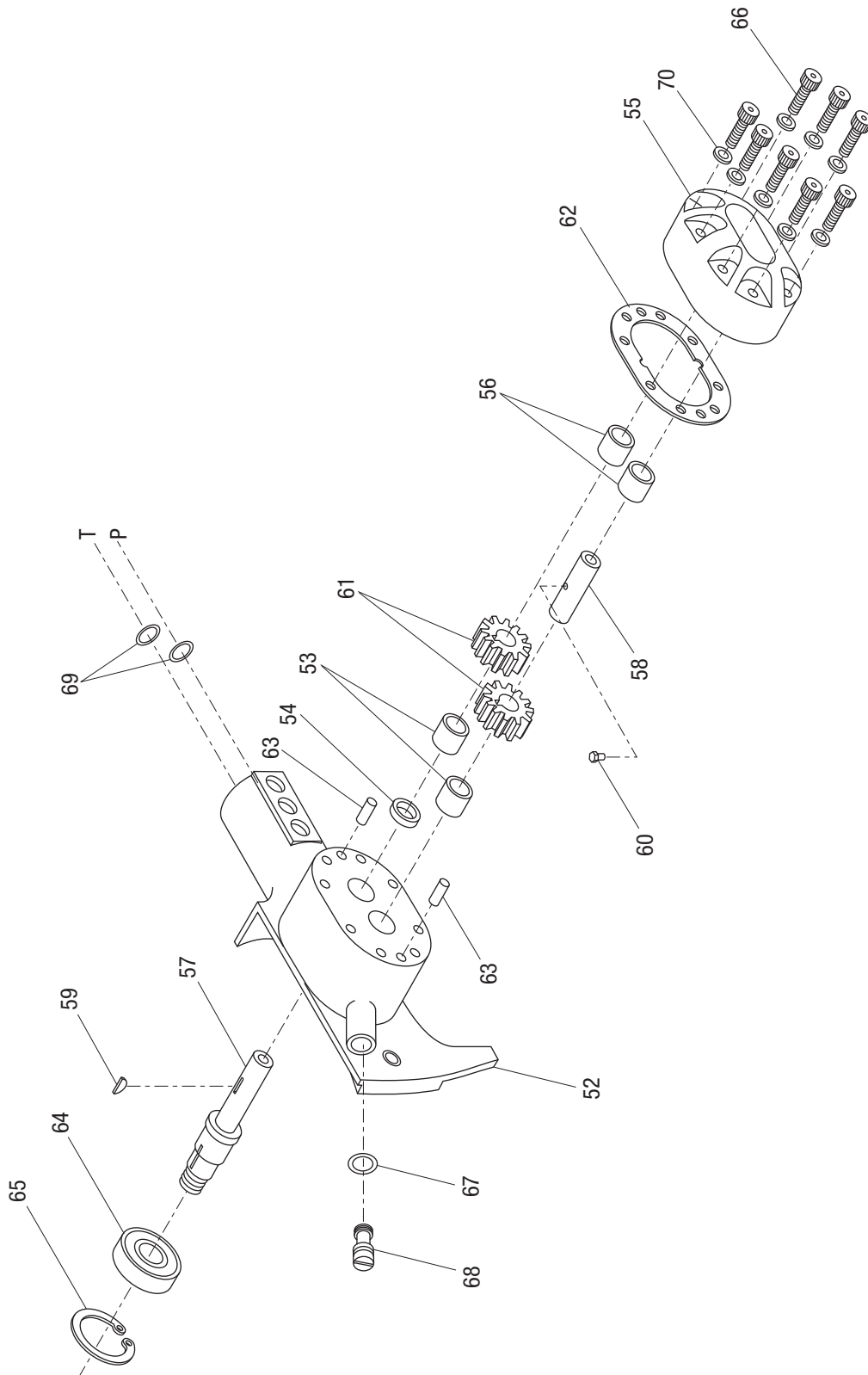
**Illustration—Main for Serial Codes GLZ and GLY**



**Illustration—Motor Assembly for Serial Codes AMT and AMS**

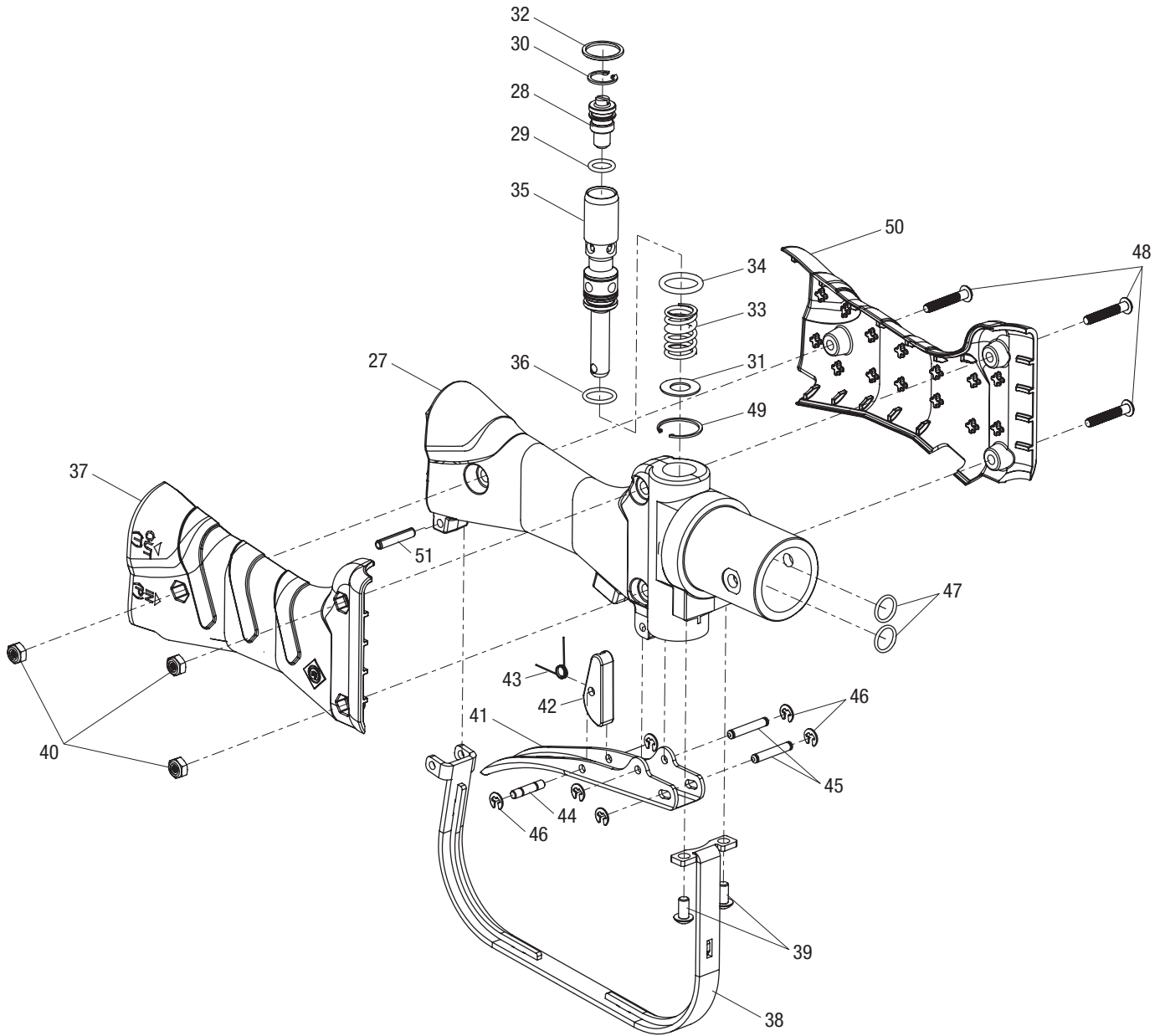


**Illustration—Motor Assembly for Serial Codes GLZ and GLY**

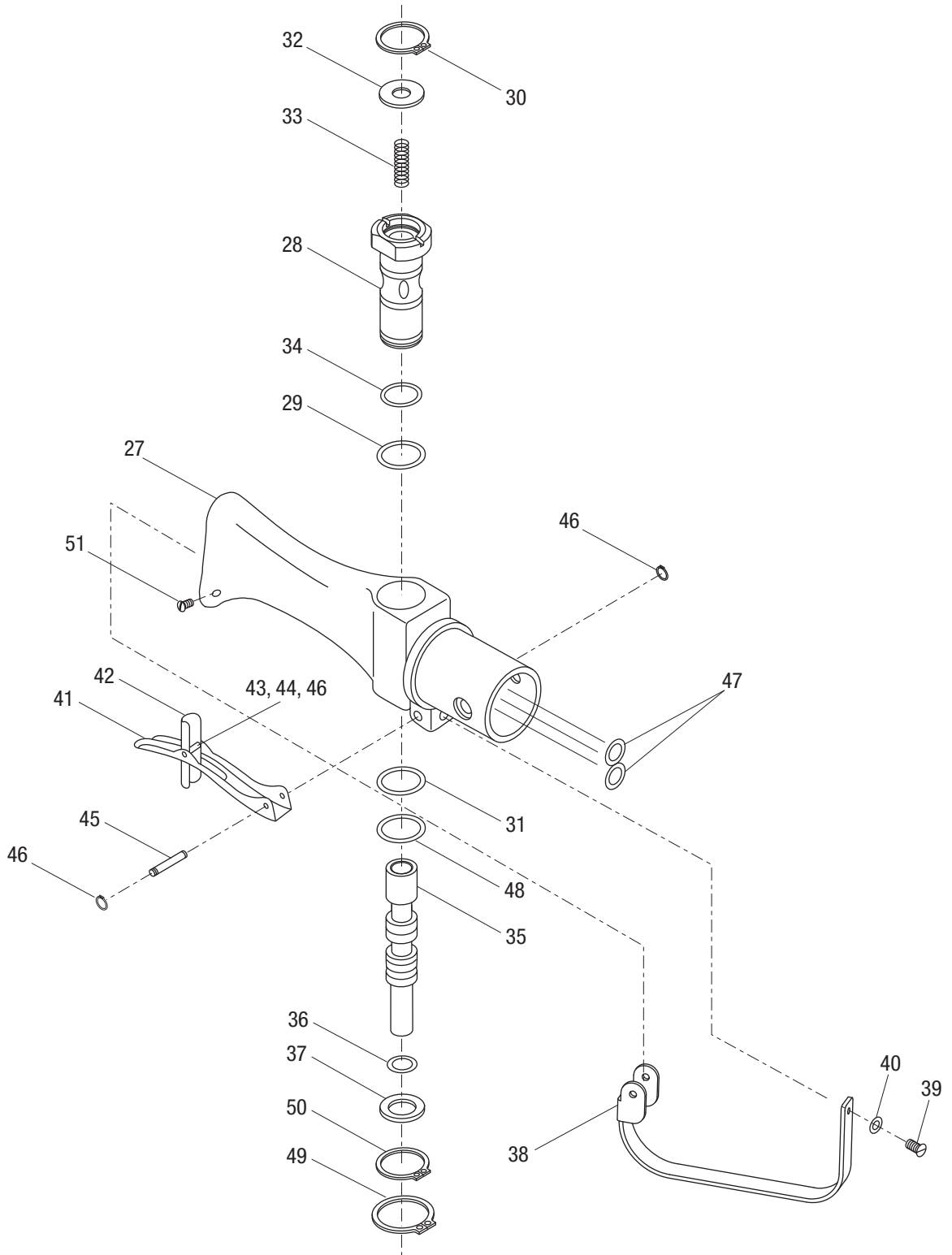




**Illustration—Handle for Serial Codes HAD and HAE**



**Illustration—Handle for Serial Codes AMT, AMS, GLZ, and GLY**



## Parts List for Serial Codes HAD and HAE

Key	UPC No. 78-3310-	Part No.	Description	Qty	Key	UPC No. 78-3310-	Part No.	Description	Qty
1	43558	50435582	Motor assembly (includes items 52-69).....	1					
2	51631	52027107	Tube assembly, 75".....	1	52	02089	52058055	Saw head assembly (includes items 53, 54 and 69).....	1
	51622	52027108	Tube assembly, 88".....	1	53	41591	50415911	Needle bearing, .439 x .625 x .500.....	2
8	48818	50488180	Handle assembly (includes items 27-51).....	1	54*			O-ring, .500 x .687 x .093-80.....	1
9			Screw, machine, 1/4-20 x .500 oval head.....	3	55	40405	50404053	Motor cap assembly with bearings (includes items 56, 66, and 70).....	1
10			Screw, cap, 1/4-20 x .625 button head hex, grade 5.....	2	56	41591	50415911	Needle bearing, .439 x .625 x .500.....	2
11			Lock washer, 1/4".....	2	57	43839	50438395	Shaft.....	1
12	43369	50433695	Saw bar.....	1	58	40114	50401144	Idler shaft.....	1
13	43370	50433709	Saw chain, .325" pitch.....	1	59	40115	50401154	Woodruff key.....	1
14	02093	52047938	Cover.....	1	60	41593	50415930	Pin, drive, .123 x .209 square head.....	1
15 ♦	55360	90553608	Screw, cap, 5/16-18 x 1.00 hex head.....	2	61	41594	50415940	Gear, 11-tooth.....	2
16 ♦			Spacer.....	1	62*			Gasket, 2.09 x 3.09 x .0015.....	1
17 ♦			Woodruff key, #2.....	1	63	41596	50415960	Pin, dowel, .250 x .500.....	2
18	55101	90551010	Rim sprocket, .325" pitch.....	1	64	41598	50415981	Ball bearing.....	1
19 ♦			Nut, hex, 1/2-20.....	1	65	41482	50414821	Retaining ring, 1.375".....	1
20	41662	50416621	Screw, machine, 1/4-20 x 2.00 fillister head.....	1	66			Screw, cap, 1/4-20 x 1.000 socket head.....	8
21	02094	52054770	Dog.....	1	67*			O-ring, .375 x .500 x .062-70.....	1
23	42015	50420154	Rubber grommet.....	1	68	02092	52047936	Screw, metering.....	1
24 ♦			Washer, flat, .530 x 1.50 x .050.....	1	69*			O-ring, .437 x .562 x .062-90.....	2
26 ♦			Adapter, sprocket.....	1	70			Washer, 6 mm, hard.....	8
27	03542	52065777	Handle.....	1					
28	00917	52063610	Super Spool.....	1					
29*			O-ring, .375 x .500.....	1	<b>Kits</b>				
30	48540	50485407	Retaining ring.....	1	*	03550	52071999	Packing kit (includes items marked with an asterisk)	
31	48310	50483102	Washer, .76 x .734.....	1	02088	52058054		Motor assembly (includes items 14, 15, 20, 21, 52-70)	
32*			Ring.....	1	48818	50488180		Handle assembly (includes items 27-51)	
33	00399	52060673	Trigger spring.....	1	02089	52058055		Saw head assembly (includes items 53, 54 and 69)	
34*			O-ring, .612 x .818.....	1	40405	50404053		Motor cap assembly (includes items 56, 66, and 70)	
35	00380	52060643	Spool.....	2			52071998	Safety trigger assembly (includes items 41-46)	
36*			O-ring, 1/2 x 5/8.....	1	♦	12657	52028588	Drive repair kit (includes items marked with ♦)	
37	03545	52065776	Right handle grip.....	1	<b>Decals</b>				
38	00377	52060656	Trigger guard.....	2	46293	52081516		Decal.....	1
39	61500	90527917	Screw, #10-32 x .375 button head.....	2	41547	50415471		Decal, Greenlee.....	1
40	00396	52060670	Lock nut, 8-32.....	3					
41	03546	52065774	Trigger.....	1					
42	04798	50047981	Safety latch.....	1					
43	04799	50047990	Torsion spring.....	1					
44	04800	50048007	Pin.....	1					
45	42547	50425471	Trigger pivot.....	2					
46	42827	50428270	Retaining ring.....	6					
47*			O-ring, urethane.....	4					
48	00397	52060671	Screw, 8-32 x 1.00 button cap.....	3					
49	41648	50416480	Internal retaining ring, .750 x .035.....	1					
50	03547	52065775	Left handle grip.....	1					
51	48542	50485423	Roll pin.....	1					

## Parts List for Serial Codes AMT and AMS

Key	UPC No. 78-3310-	Part No.	Description	Qty	Key	UPC No. 78-3310-	Part No.	Description	Qty
1	43558	50435582	Motor assembly (includes items 52-69).....	1	50	41297	50412971	Retaining ring, .625".....	1
2	51631	52027107	Tube assembly, 75".....	1	51			Screw, cap, #10-32 x .375 button socket head.....	2
	51622	52027108	Tube assembly, 88".....	1	52	02089	52058055	Saw head assembly (includes items 53, 54 and 69).....	1
8	48818	50488180	Handle assembly (includes items 27-51).....	1	53	41591	50415911	Needle bearing, .439 x .625 x .500.....	2
9			Screw, machine, 1/4-20 x .500 oval head.....	3	54*			O-ring, .500 x .687 x .093-80.....	1
10			Screw, cap, 1/4-20 x .625 button head hex, grade 5.....	2	55	40405	50404053	Motor cap assembly with bearings (includes items 56, 66, and 70).....	1
11			Lock washer, 1/4".....	2	56	41591	50415911	Needle bearing, .439 x .625 x .500.....	2
12	43369	50433695	Saw bar.....	1	57	43839	50438395	Shaft.....	1
13	43370	50433709	Saw chain, .325" pitch.....	1	58	40114	50401144	Idler shaft.....	1
14	02093	52047938	Cover.....	1	59	40115	50401154	Woodruff key.....	1
15 ♦	55360	90553608	Screw, cap, 5/16-18 x 1.00 hex head.....	2	60	41593	50415930	Pin, drive, .123 x .209 square head.....	1
16 ♦			Spacer.....	1	61	41594	50415940	Gear, 11-tooth.....	2
17 ♦			Woodruff key, #2.....	1	62*			Gasket, 2.09 x 3.09 x .0015.....	1
18	55101	90551010	Rim sprocket, .325" pitch.....	1	63	41596	50415960	Pin, dowel, .250 x .500.....	2
19 ♦			Nut, hex, 1/2-20.....	1	64	41598	50415981	Ball bearing.....	1
20	41662	50416621	Screw, machine, 1/4-20 x 2.00 fillister head.....	1	65	41482	50414821	Retaining ring, 1.375".....	1
21	02094	52054770	Dog.....	1	66			Screw, cap, 1/4-20 x 1.000 socket head.....	8
23	42015	50420154	Rubber grommet.....	1	67*			O-ring, .375 x .500 x .062-70.....	1
24 ♦			Washer, flat, .530 x 1.50 x .050.....	1	68	02092	52047936	Screw, metering.....	1
26 ♦			Adapter, sprocket.....	1	69*			O-ring, .437 x .562 x .062-90.....	2
27	48815	50488155	Handle.....	1	70			Washer, 6 mm, hard.....	8
28	43420	50434209	Sleeve.....	1					
29*			O-ring, .750 x .875 x .062-90.....	1					
30	41712	50417122	Retaining ring, .750".....	1					
31*			O-ring, .787 x .889 x .051-70.....	1					
32	41095	50410952	Cap.....	1					
33	42865	50428651	Spring.....	1					
34*			O-ring, .437 x .625 x .093-90.....	1					
35	43421	50434217	Spool.....	1					
36*			O-ring, .312 x .437 x .062-70.....	1					
37	41096	50410962	Washer, .355 x .615 x .030.....	1					
38	48817	50488171	Trigger guard.....	1					
39			Screw, machine, #10-32 x .375 round head.....	1					
40			Lock washer, #10.....	1					
41	04797	50047973	Trigger.....	1					
42	04798	50047981	Latch, trigger interlock.....	1					
43	04799	50047990	Spring, torsion.....	1					
44	04800	50048007	Pin.....	1					
45	42547	50425471	Trigger pivot.....	1					
46	42827	50428270	Retaining ring.....	4					
47*			O-ring, .437 x .562 x .062-90.....	2					
48*			O-ring, .875 x 1.00 x .062-70.....	1					
49	54819	90548191	Retaining ring, .875".....	1					

<b>Kits</b>									
	*	48254	50482548	Packing kit (includes items marked with an asterisk)					
		02088	52058054	Motor assembly (includes items 14, 15, 20, 21, 52-70)					
		48818	50488180	Handle assembly (includes items 27-51)					
		02089	52058055	Saw head assembly (includes items 53, 54 and 69)					
		40405	50404053	Motor cap assembly (includes items 56, 66, and 70)					
		04796	50047965	Safety trigger assembly (includes items 41-46)					
	♦	12657	52028588	Drive repair kit (includes items marked with ♦)					

<b>Decals</b>									
		46293	52081516	Decal.....					1
		41547	50415471	Decal, Greenlee.....					1

## Parts List for Serial Codes GLZ and GLY

Key	UPC No. 78-3310-	Part No.	Description	Qty
1	43558	50435582	Motor assembly (includes items 52-69).....	1
2	51631	52027107	Tube assembly, 75".....	1
	51622	52027108	Tube assembly, 88".....	1
8	48818	50488180	Handle assembly (includes items 27-51).....	1
9			Screw, machine, 1/4-20 x .500 oval head.....	3
10			Screw, cap, 1/4-20 x .625 button head hex, grade 5.....	2
11			Lock washer, 1/4".....	2
12	43369	50433695	Saw bar.....	1
13	43370	50433709	Saw chain, .325" pitch.....	1
14†	40846	50408461	Cover.....	1
15◆	55360	90553608	Screw, cap, 5/16-18 x 1.500 hex head.....	2
16◆			Spacer.....	1
17◆			Woodruff key, #2.....	1
18	55101	90551010	Rim sprocket, .325" pitch.....	1
19◆			Nut, hex, 1/2-20.....	1
20†	41662	50416621	Screw, machine, 1/4-20 x 2.00 fillister head.....	1
21†	40197	50401972	Dog.....	1
22*			O-ring, .875 x 1.00 x .062-70.....	2
23	42015	50420154	Rubber grommet.....	1
24◆			Washer, flat, .530 x 1.50 x .050.....	1
26◆			Adapter, sprocket.....	1
27	48815	50488155	Handle.....	1
28	43420	50434209	Sleeve.....	1
29*			O-ring, .750 x .875 x .062-90.....	1
30	41712	50417122	Retaining ring, .750".....	1
31*			O-ring, .787 x .889 x .051-70.....	1
32	41095	50410952	Cap.....	1
33	42865	50428651	Spring.....	1
34*			O-ring, .437 x .625 x .093-90.....	1
35	43421	50434217	Spool.....	1
36*			O-ring, .312 x .437 x .062-70.....	1
37	41096	50410962	Washer, .355 x .615 x .030.....	1
38	48817	50488171	Trigger guard.....	1
39			Screw, machine, #10-32 x .375 round head.....	1
40			Lock washer, #10.....	1
41	04797	50047973	Trigger.....	1
42	04798	50047981	Latch, trigger interlock.....	1
43	04799	50047990	Spring, torsion.....	1
44	04800	50048007	Pin.....	1
45	42547	50425471	Trigger pivot.....	1
46	42827	50428270	Retaining ring.....	4
47*			O-ring, .437 x .562 x .062-90.....	2
48*			O-ring, .875 x 1.00 x .062-70.....	1
49	54819	90548191	Retaining ring, .875".....	1
50	41297	50412971	Retaining ring, .625".....	1
51			Screw, cap, #10-32 x .375	

Key	UPC No. 78-3310-	Part No.	Description	Qty
52†	40595	50405950	button socket head.....	2
			Saw head assembly (includes items 53, 54 and 69).....	1
53	41591	50415911	Needle bearing, .439 x .625 x .500.....	2
54*			O-ring, .500 x .687 x .093-80.....	1
55	40405	50404053	Motor cap assembly with bearings (includes items 56, 66, and 70).....	1
56	41591	50415911	Needle bearing, .439 x .625 x .500.....	2
57	43839	50438395	Shaft.....	1
58	40114	50401144	Idler shaft.....	1
59	40115	50401154	Woodruff key.....	1
60	41593	50415930	Pin, drive, .123 x .209 square head.....	1
61	41594	50415940	Gear, 11-tooth.....	2
62*			Gasket, 2.09 x 3.09 x .0015.....	1
63	41596	50415960	Pin, dowel, .250 x .500.....	2
64	41598	50415981	Ball bearing.....	1
65	41482	50414821	Retaining ring, 1.375".....	1
66			Screw, cap, 1/4-20 x 1.000 socket head.....	8
67*†			O-ring, .375 x .500 x .062-70.....	1
68†	40189	50401891	Screw, metering, 1/8 NPTF.....	1
69*			O-ring, .437 x .562 x .062-90.....	2
70			Washer, 6 mm, hard.....	8

Kits				
*	48254	50482548	Packing kit (includes items marked with an asterisk)	
	48818	50488180	Handle assembly (includes items 27-51)	
	40595	50405950	Saw head assembly (includes items 53, 54 and 69)	
	40405	50404053	Motor cap assembly (includes items 56, 66, and 70)	
	04796	50047965	Safety trigger assembly (includes items 41-46)	
◆	12657	52028588	Drive repair kit (includes items marked with †)	
†	02090	52058056	Retrofit kit (replaces items marked with †); converts to AMT/AMS model Note: Motor assembly for serial codes AMT/AMS is interchangeable as retrofit kit.	

Decals				
	46293	52081516	Decal.....	1
	41547	50415471	Decal, Greenlee.....	1
	24044	52024044	Decal, IEC 60855.....	1



4455 Boeing Drive • Rockford, IL 61109-2988 • USA • 815-397-7070  
©2019 Greenlee Tools, Inc. • An ISO 9001 Company

[www.greenlee.com](http://www.greenlee.com)

**USA** Tel: 800-435-0786  
Fax: 800-451-2632

**Canada** Tel: 800-435-0786  
Fax: 800-524-2853

**International** Tel: +1-815-397-7070  
Fax: +1-815-397-9247