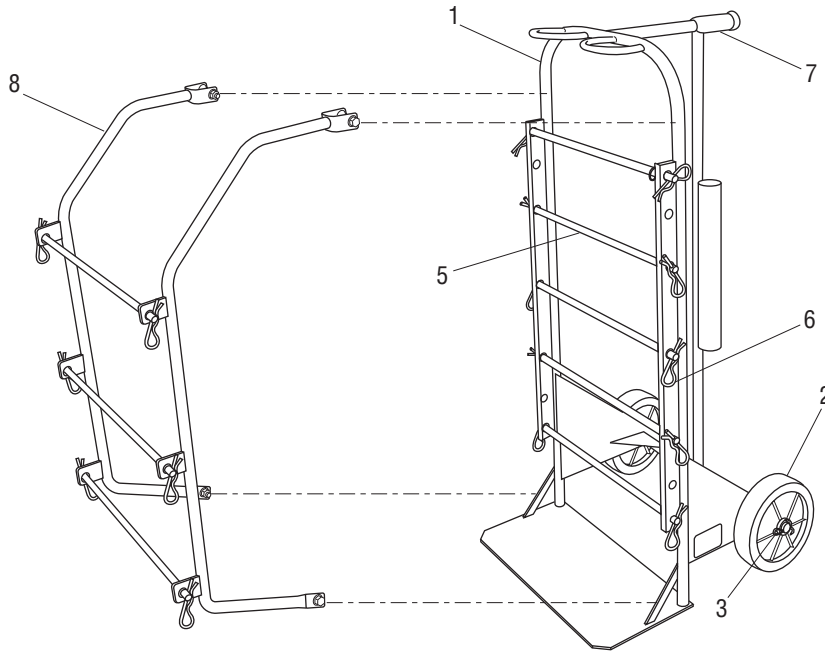


# PARTS LIST



## 38733 Hand Truck Wire Cart

For best stability, dispense wire with wire cart in a horizontal position.

Key	Part No.	Description	Qty
1		Frame.....	1
2	52033343	Wheel.....	2
3	90552989	Ring, Rue, 3/4 reg.....	2
4	90517407	Washer (not shown).....	4
5	50387740	Reel Shaft.....	5
6	90536851	Clip.....	10
7	50223003	Grip.....	1

### Optional Accessories

8	50104624	Expander Kit
---	----------	--------------



USA 800-435-0786 Fax: 800-451-2632  
 815-397-7070 Fax: 815-397-1865  
 Canada 800-435-0786 Fax: 800-524-2853  
 International +1-815-397-7070 Fax: +1-815-397-9247

4455 Boeing Drive • Rockford, IL 61109-2988 • USA • 815-397-7070  
 An ISO 9001 Company • Greenlee Textron Inc. is a subsidiary of Textron Inc.

[www.greenlee.com](http://www.greenlee.com)

Printed in USA