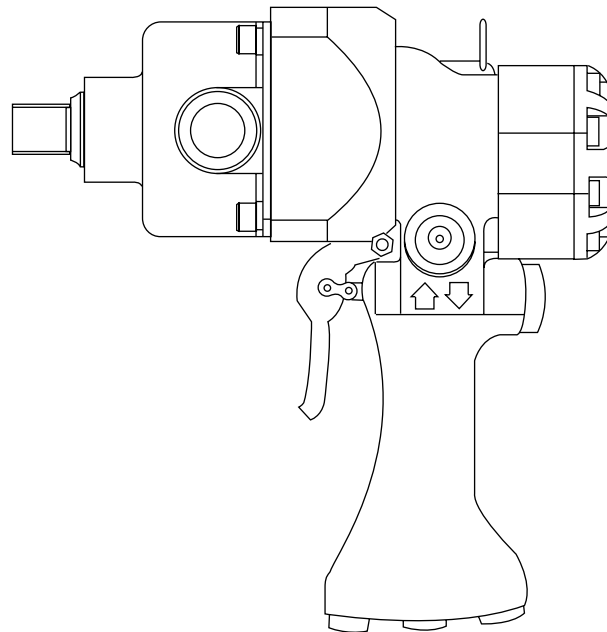


SERVICE MANUAL



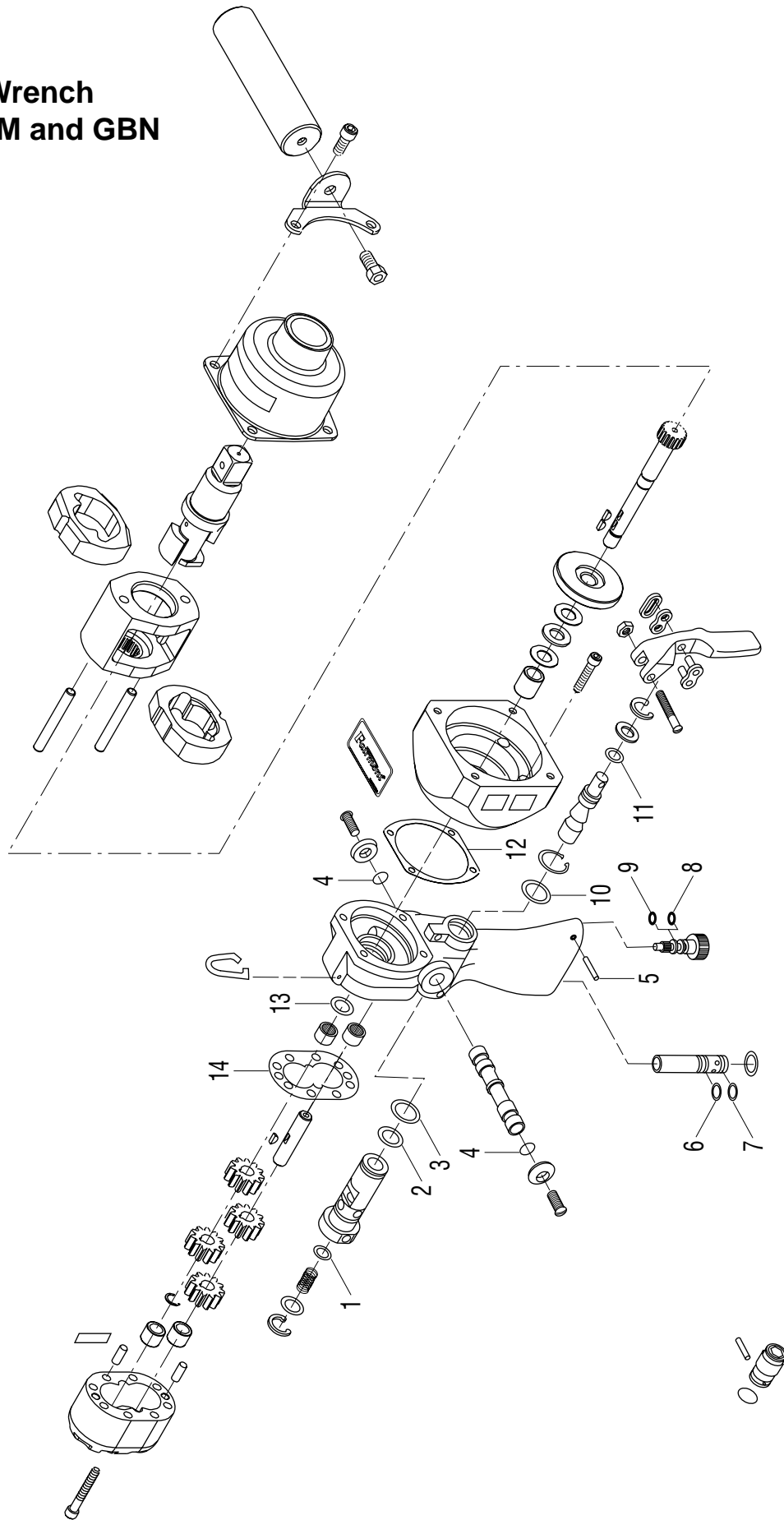
49963 SEAL KIT for H6510A 3/4" Impact Wrench



Read and understand all of the instructions and safety information in this manual before operating or servicing this tool.

Fairmont® Seal Kit for H6510A 3/4" Impact Wrench

Illustration—
H6510A Impact Wrench
Serial Codes GBM and GBN



Parts List—Serial Codes GBM and GBN

Apply lubricant to all seal kit components and to all metal surfaces over which components must slide. It is advisable to cover threads and sharp edges with cellophane tape or other suitable thin material prior to installing the seal kit components. Remove the tape after the seal kit components are installed.

See the illustration for Serial Codes GBM and GBN for the location of seal kit components.

KEY	UPC NO. 78-3310-	PART NO.	DESCRIPTION	QTY
	49963	49963	SEAL KIT	1
1	41371	F011762	O-ring, .437 x .625 x .09	1
2	42089	F024419	O-ring, .787 x .889 x .05	1
3	41534	F015403	O-ring, .750 x .875 x .06	1
4	41489	F015257	O-ring, .437 x .562 x .06	2
5	42053	F023467	Spring Pin, 5/64 x 7/8	1
6	41491	F015261	O-ring, .500 x .625 x .06	1
7	41627	F017078	O-ring, .437 x .562 x .06	1
8	41843	F021471	Backup Ring.....	1
9	42729	L080005	O-ring, .250 x .375 x .06	1
10	41559	F015679	O-ring, .875 x 1.000 x .06	1
11	41585	F016327	O-ring, .312 x .437 x .06	1
12	40134	101524	Gasket.....	1
13	41504	F015305	O-ring, .500 x .687 x .09	1
14	41595	F016732	Gasket.....	1



F021471
Backup Ring
I.D. = .265
O.D. = .371



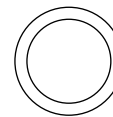
L080005
I.D. = .250
O.D. = .375



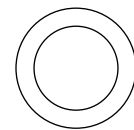
F016327
I.D. = .312
O.D. = .437



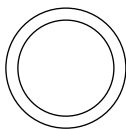
F015257
I.D. = .437
O.D. = .562



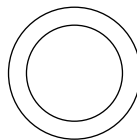
F017078
I.D. = .437
O.D. = .562



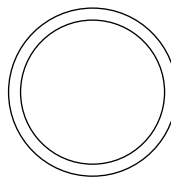
F011762
I.D. = .437
O.D. = .625



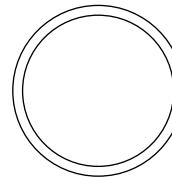
F015261
I.D. = .500
O.D. = .625



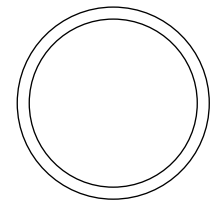
F015305
I.D. = .500
O.D. = .687



F015403
I.D. = .750
O.D. = .875



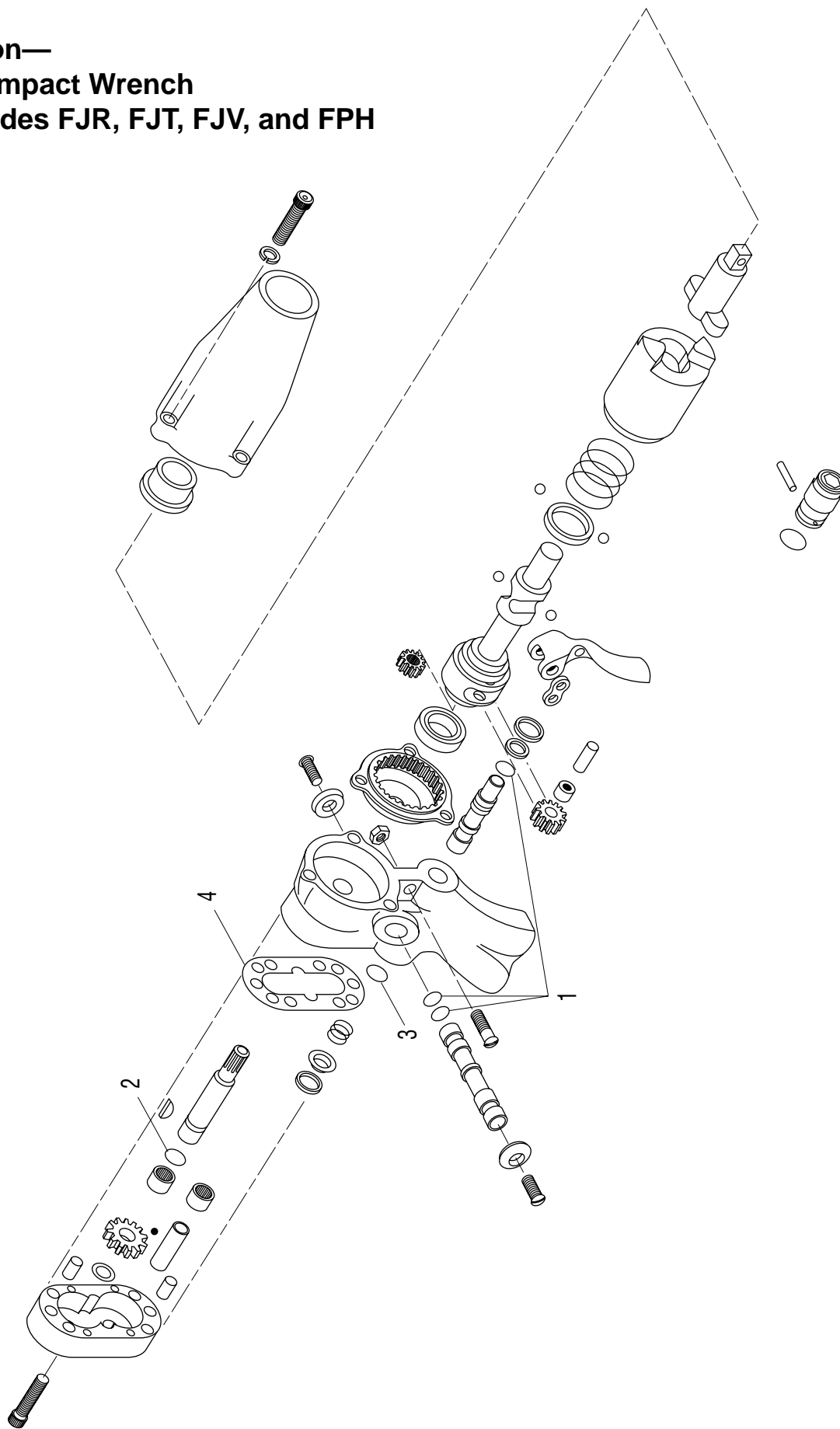
F024419
I.D. = .787
O.D. = .889



F015679
I.D. = .875
O.D. = 1.000

Fairmont® Seal Kit for H6510A 3/4" Impact Wrench

Illustration—
H6510A Impact Wrench
Serial Codes FJR, FJT, FJV, and FPH



Parts List—Serial Codes FJR, FJT, FJV, and FPH

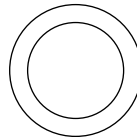
Apply lubricant to all seal kit components and to all metal surfaces over which components must slide. It is advisable to cover threads and sharp edges with cellophane tape or other suitable thin material prior to installing the seal kit components. Remove the tape after the seal kit components are installed.

See the illustration for Serial Codes FJR, FJT, FJV, and FPH for the location of seal kit components.

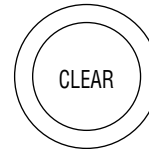
KEY	UPC NO. 78-3310-	PART NO.	DESCRIPTION	QTY
	40341	113464	SEAL KIT	1
1	41489	F015257	O-ring, .437 x .562 x .070	3
2	41504	F015305	O-ring, .500 x .687 x .103	1
3	41488	F015255	O-ring, .562 x .750 x .103	1
4	41595	F016732	Gasket.....	1



F015257
I.D. = .437
O.D. = .562



F015305
I.D. = .500
O.D. = .687



F015255
I.D. = .562
O.D. = .750

GREENLEE

Greenlee Tools, Inc.

4455 Boeing Drive, Rockford, IL 61109-2988 USA

Customer Service (International): 815/397-7070 • Fax: 815/397-9247

Customer Service (North America): 800/435-0786 • Fax: 800/451-2632, 815/397-1865

Canada Fax: 800/524-2853

Printed in the U.S.A.