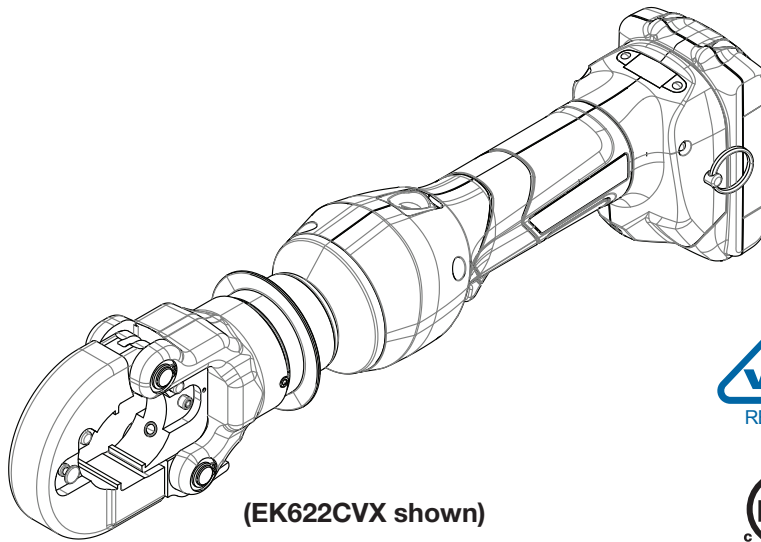


# OPERATION MANUAL



Record serial number here

(See pg. 14 for  
LCD screen instr.)



(EK622CVX shown)



# GATOR<sup>®</sup> Insulated Battery-Powered Crimping Tool

Español.....	20
Français.....	40



**Read and understand** all of the instructions and safety information in this manual before operating this tool.

**KEEP THIS MANUAL**

## Table of Contents

Recording Form For Machine Serial Number.....	1	Carrying the Tool.....	14
Table of Contents .....	2	LCD Screen .....	14
Safety Symbols .....	3	Bluetooth .....	14
General Power Tool Safety Warnings		Storage and Cleaning .....	15
Work Area Safety .....	4	Service and Maintenance.....	15
Electrical Safety .....	4	Troubleshooting.....	16-17
Personal Safety.....	4	LED Indicator (Red) .....	17
Power Tool Use And Care.....	4-5	FCC Certification.....	18
Battery Tool Use And Care .....	5	IC Certification.....	18
Service.....	5	Warranty Information.....	18
Special Warnings .....	5		
Tool Specific Safety Information			
Crimping Hazards.....	6		
Electrical Hazards.....	6		
Repairs and Modifications.....	6		
Battery Safety.....	6		
Charger Safety.....	6		
Description .....	7		
Important Features .....	7		
Identification .....	8		
Specifications.....	8		
Decal Location .....	9		
Tool Operation			
Training and Qualifications .....	10		
Pre-Operation Inspection .....	10		
Set-Up .....	10-11		
Handling the Tool During Use.....	11		
Die Selection.....	12		
Connector Selection .....	12		
Die Installation .....	13		
Operation.....	14		



**Do not discard this product or throw away!**  
For recycling information, go to [www.greenlee.com](http://www.greenlee.com).

Replacement manuals are available upon request at no charge at [www.geenlee.com](http://www.geenlee.com).

GATOR is a registered trademark of Greenlee Tools, Inc.  
Bluetooth is a registered trademark of Bluetooth SIG, Inc.  
MAKITA is a registered trademark of Makita Corporation.  
Blackburn is a registered trademark of Thomas & Betts International.  
Thomas & Betts International.  
Anderson is a trademark of Hubbell Corp.

Burndy is a registered trademark of Hubbell Corp.  
ILSCO is a registered trademark of ILSCO Corp.  
Panduit is a registered trademark of Panduit Corp.  
T&B is a registered trademark of Thomas & Betts International.  
Penn-Union is a trademark of Penn-Union Corp.



## Safety Symbols

In this operator's manual and on the product, safety symbols and signal words are used to communicate important safety information. This section is provided to improve understanding of these signal words and symbols.



This is the safety alert symbol. It is used to alert you to potential personal injury hazards. Obey all safety messages that follow this symbol to avoid possible injury or death.

### **DANGER**

DANGER indicates a hazardous situation which, if not avoided, will result in death or serious injury.

### **WARNING**

WARNING indicates a hazardous situation which, if not avoided, could result in death or serious injury.



This symbol means read the operator's manual carefully before using the equipment. The operator's manual contains important information on the safe and proper operation of the equipment.



This symbol means always wear safety glasses with side shields or goggles when handling or using this equipment to reduce the risk of eye injury.



This symbol indicates the risk of hands, fingers or other body parts being cut or severed.



This symbol indicates the risk of electrical shock.



This symbol indicates the risk of arc flash.



This symbol indicates an area not to touch. This area is not insulated.



This symbol indicates an area OK to touch. This area is insulated.



## GENERAL POWER TOOL SAFETY WARNINGS\*

### **⚠ WARNING**

**Read all safety warnings, instructions, illustrations and specifications provided with this power tool.** Failure to follow all instructions listed below may result in electric shock, fire and/or serious injury.

\*The text used in the General Power Tool Safety Warnings section of this manual is required from the applicable EN 62841-1 standard to which this tool is tested. This section contains general safety practices for many different types of power tools. Not every precaution applies to every tool, and some may not apply to this tool.

### **SAVE ALL WARNINGS AND INSTRUCTIONS FOR FUTURE REFERENCE.**

The term "power tool" in the warnings refers to your mains-operated (corded) power tool or battery operated (cordless) power tool.

### **Work area safety**

**Keep work area clean and well lit.** Cluttered or dark areas invite accidents.

**Do not operate power tools in explosive atmospheres, such as in the presence of flammable liquids, gases or dust.** Power tools create sparks which may ignite the dust or fumes.

**Keep children and bystanders away while operating a power tool.** Distractions can cause you to lose control.

### **Electrical safety**

**Power tool plugs must match the outlet. Never modify the plug in any way. Do not use any adapter plugs with earthed (grounded) power tools.** Unmodified plugs and matching outlets will reduce risk of electric shock.

**Avoid body contact with earthed or grounded surfaces, such as pipes, radiators, ranges and refrigerators.** There is an increased risk of electric shock if your body is earthed or grounded.

**Do not expose power tools to rain or wet conditions.** Water entering a power tool will increase the risk of electric shock.

**Do not abuse the cord. Never use the cord for carrying, pulling or unplugging the power tool. Keep cord away from heat, oil, sharp edges or moving parts.** Damaged or entangled cords increase the risk of electric shock.

**When operating a power tool outdoors, use an extension cord suitable for outdoor use.** Use of a

cord suitable for outdoor use reduces the risk of electric shock.

**If operating a power tool in a damp location is unavoidable, use a RESIDUAL CURRENT DEVICE (RCD) protected supply.** Use of an RCD reduces the risk of electric shock.

### **Personal safety**

**Stay alert, watch what you are doing and use common sense when operating a power tool. Do not use a power tool while you are tired or under the influence of drugs, alcohol or medication.** A moment of inattention while operating power tools may result in serious personal injury.

**Use personal protective equipment. Always wear eye protection.** Protective equipment such as dust mask, non-skid safety shoes, hard hat, or hearing protection used for appropriate conditions will reduce personal injuries.

**Prevent unintentional starting. Ensure the switch is in the off-position before connecting to power source and/or BATTERY pack, picking up or carrying the tool.** Carrying power tools with your finger on the switch or energizing power tools that have the switch on invites accidents.

**Remove any adjusting key or wrench before turning the power tool on.** A wrench or a key left attached to a rotating part of the power tool may result in personal injury.

**Do not overreach. Keep proper footing and balance at all times.** This enables better control of the power tool in unexpected situations.

**Dress properly. Do not wear loose clothing or jewelry. Keep your hair, clothing and gloves away from moving parts.** Loose clothes, jewelry or long hair can be caught in moving parts.

**If devices are provided for the connection of dust extraction and collection facilities, ensure these are connected and properly used.** Use of dust collection can reduce dust-related hazards.

**Do not let familiarity gained from frequent use of tools allow you to become complacent and ignore tool safety principles.** A careless action can cause severe injury within a fraction of a second.

### **Power tool use and care**

**Do not force the power tool. Use the correct power tool for your application.** The correct power tool will do the job better and safer at the rate for which it was designed.

**Do not use the power tool if the switch does not turn it on and off.** Any power tool that cannot be controlled



with the switch is dangerous and must be repaired.

**Disconnect the plug from the power source and/or remove the BATTERY pack, if detachable, from the power tool before making any adjustments, changing accessories, or storing power tools.** Such preventive safety measures reduce the risk of starting the power tool accidentally.

**Store idle power tools out of the reach of children and do not allow persons unfamiliar with the power tool or these instructions to operate the power tool.** Power tools are dangerous in the hands of untrained users.

**Maintain power tools and accessories. Check for misalignment or binding of moving parts, breakage of parts and any other condition that may affect the power tool's operation. If damaged, have the power tool repaired before use.** Many accidents are caused by poorly maintained power tools.

**Keep cutting tools sharp and clean.** Properly maintained cutting tools with sharp cutting edges are less likely to bind and are easier to control.

**Use the power tool, accessories and tool bits etc. in accordance with these instructions, taking into account the working conditions and the work to be performed.** Use of the power tool for operations different from those intended could result in a hazardous situation.

**Keep handles and grasping surfaces dry, clean and free from oil and grease.** Slippery handles and grasping surfaces do not allow for safe handling and control of the tool in unexpected situations.

## Battery Tool Use and Care

**Recharge only with the charger specified by the manufacturer.** A charger that is suitable for one type of BATTERY pack may create a risk of fire when used with another BATTERY pack.

**Use power tool only with specifically designated BATTERY packs.** Use of any other BATTERY packs may create a risk of injury and fire.

**When BATTERY pack is not in use, keep it away from other metal objects, like paper clip, coins, keys, nails, screws or other small metal objects, that can make a connection from one terminal to another.** Shorting the BATTERY terminals together may cause burns or a fire.

**Under abusive conditions, liquid may be ejected from the BATTERY; avoid contact. If contact accidentally occurs, flush with water. If liquid contacts eyes, additionally seek medical help.** Liquid ejected from the BATTERY may cause irritation or burns.

**Do not use a BATTERY pack or tool that is damaged or modified.** Damaged or modified batteries may exhibit unpredictable behavior resulting in fire, EXPLOSION or risk of injury.

**Do not expose a BATTERY pack or tool to fire or excessive temperature.** Exposure to fire or temperature above 265°F (130°C) may cause explosion.

**Follow all charging instructions and do not charge the BATTERY pack or tool outside the temperature range specified in the instructions.** Charging improperly or at temperatures outside the specified range may damage the battery and increase the risk of fire.

## Service

**Have your power tool serviced by a qualified repair person using only identical replacement parts.** This will ensure that the safety of the power tools is maintained.

**Never service damaged BATTERY packs.** Service of BATTERY packs should only be performed by manufacturer or authorized service providers.

## Special Warnings

**Hydraulic tools can be heavy and might require additional support.** Never overestimate your ability to handle the tool.



## TOOL SPECIFIC SAFETY INFORMATION

### **⚠ WARNING**

This section contains important safety information that is specific to this tool.

Read these precautions carefully before using the tool to reduce the risk of electrical shock or serious personal injury.

Improper operation or service presents a risk of serious injury or death from electric shock, arc flash, thermal burns, cutting, crushing, and other hazards.

#### **SAVE THESE INSTRUCTIONS!**

A compartment in the tool carrying case is included to keep this manual with the tool to reference before each operation.

warranty. Do not operate the tool if PVC coating on head is damaged.

**Never repair a damaged head.** A head that has been welded, ground, drilled or modified in any manner can break during use. To reduce risk of injury, never replace individual components. Discard damaged heads.

Do not attempt to open the tool. It contains no user-serviceable parts.

### **Battery Safety**

**To reduce the risk of fire, explosion or electric shock:** Do not allow anything to contact the battery terminals.

Do not immerse the batteries in liquid. Liquid may create a short circuit and damage the battery. If batteries are immersed contact your service center for proper handling.

Do not place the battery into a pocket, tool pouch, or tool box with conductive objects. Conductive objects may create a short circuit and damage the battery.

Do not place a battery on moist ground or grass. Moisture may create a short circuit and damage the battery.

Do not attempt to open the battery. It contains no user serviceable parts.

Do not store the battery at more than 104 °F (40 °C) or less than -4 °F (-20 °C). Damage to the battery can result.

### **Crimping Hazards**



**Keep your fingers and hands away from the tool head during the operating cycle.**

Your fingers or hands can be crushed, fractured or amputated if they become caught in the tool head or between the tool head and other objects.

**One person must control work process and machine operation.** Only the operator should be in the area when the tool is running. This helps reduce the risk of injury.

**Large forces are generated during use that can break or throw parts and cause injury. Keep all unnecessary personnel away from work area.** Stand clear during use and wear appropriate protective equipment, including eye protection.

### **Electrical Hazards**



This tool is insulated and will provide a secondary barrier of insulation protection up to 1000 Volts. Even with this insulated tool, you must always wear appropriate PPE as primary protection against electric shock and arc flash.

Follow all appropriate and required work procedures and wear all required Personal Protective Equipment when on jobsite working near energized electrical lines. If you are not trained and familiar with appropriate jobsite and PPE requirements do not use this tool.

### **Repairs and Modifications**

**Do not modify tool.** Modifying the tool in any manner may result in personal injury and voidance of the tool's

### **⚠ WARNING**

Do not dispose of batteries in a fire. They will vent fumes and may explode. Failure to observe this warning could result in severe injury from harmful fumes or burns from flying debris.

### **Charger Safety**

Read the instructions supplied with the battery charger. Do not use another manufacturer's charger. Other manufacturers' chargers may overcharge and damage the battery or cause injury.





## Description

Greenlee Insulated Battery-Powered In-Line Crimper is a hand-held, self-contained crimping tool intended to crimp copper and aluminum cable with KC22-type, KA22-type, and W-type dies.

This tool is insulated and will provide a secondary protection up to 1000 Volts when used with appropriate Personal Protection Equipment and safety procedures and in accordance with this manual.

The tool has Bluetooth® connectivity and an LCD screen.

All specifications are nominal and may change as design improvements occur.

These tools are protected by U.S. Patent Nos. 6,276,186, 6,401,515, 6,718,870, 7,086,979, and 7,254,982.

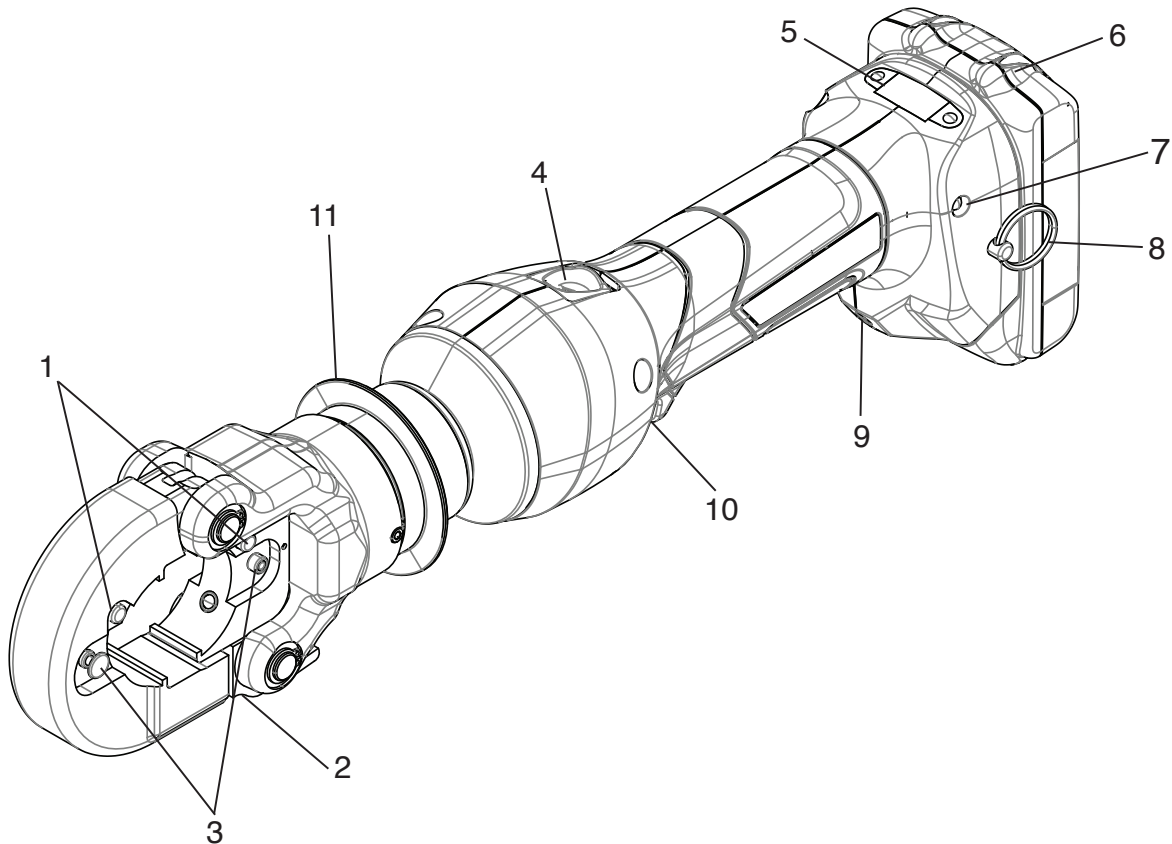
Patent pending.

## Important Features

- The tool incorporates an automatic retraction, that returns the ram to the starting position when the maximum force is achieved.
- The tool is equipped with a special brake, that stops the forward motion of the ram when the trigger is released.
- The crimping head has been designed to rotate around the longitudinal axis in order to gain the best access to tight corners and other difficult working areas.
- This tool is equipped with a pressure sensor that can help alert the user of an incomplete crimp.
- If the tool is manually retracted before completion of a crimp, the red LED and an audible beep will be active for 2 seconds.
- If the tool is unable to reach the required crimp force, the red LED, work light, and an audible beep will pulse until after the trigger is released.

## Identification EK622CVX

- |                        |                        |                                   |
|------------------------|------------------------|-----------------------------------|
| 1. Die Release Buttons | 5. LCD Screen          | 9. LED Work Light (white)         |
| 2. Locking Flange      | 6. Battery Cartridge   | 10. Trigger                       |
| 3. W-type Die Detents  | 7. LED Indicator (red) | 11. Tri-barrier Insulation Collar |
| 4. Retract Button      | 8. Lanyard Ring        |                                   |



## Specifications

### Crimping Tool

Length (with battery).....	16.97" (431 mm)
Width .....	2.95" (75 mm)
Depth.....	4.92" (125 mm)
Weight.....	6.4 lb (2.9 kg)
Crimping Force.....	6 tons (53kN)
Recommended Operating Temperature Range.....	-4 °F to 104 °F (-20 °C to 40 °C)

### Crimping Capacities

#### Maximum Cable Size

Copper.....	600 kcmil
Aluminum.....	350 kcmil

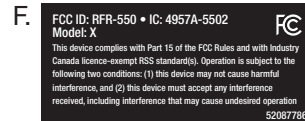
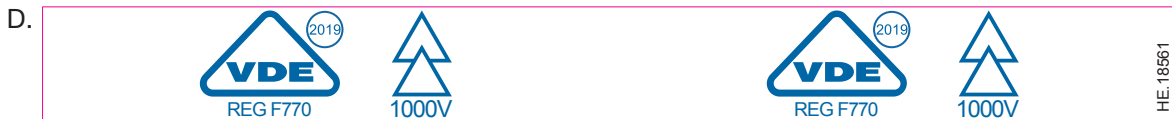
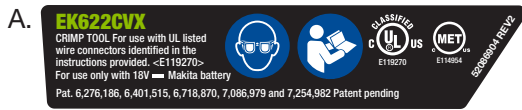
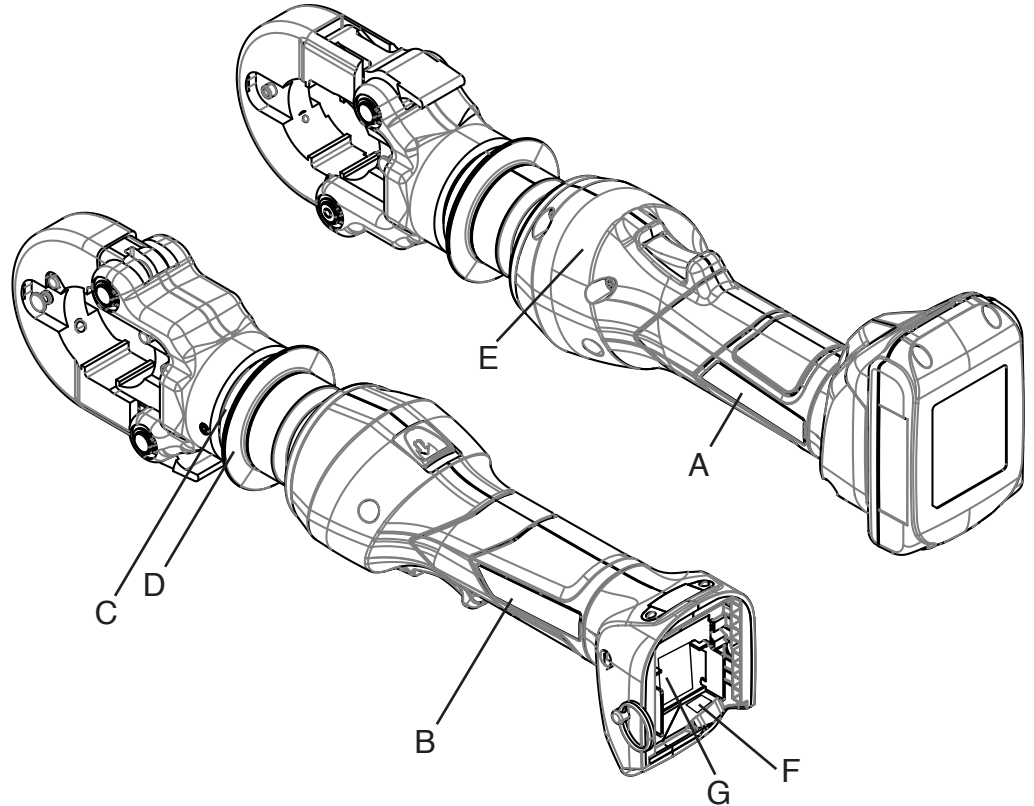
Battery Technology.....MAKITA® LXT® Lithium ion

BL1815, BL1820, BL1830, BL1840, BL1850



**Decals & Location**

- A. Model Identification
- B. Brand and MFG Identification
- C. Live Electricity Warning
- D. VDE Certification/ Year of Last Service
- E. Inspection Warning
- F. FCC Certification
- G. MFG Address Decal



## TOOL OPERATION

### Training and Qualifications


Ensure that you are trained and qualified by your employer for any tasks using this tool, especially in a live line environment. When required, such as for installation, removal and repair of lines energized at more than 600V, ensure at least a second trained and qualified person is present at appropriate distance.

Follow all training and proper live electricity jobsite safety precautions, see also OSHA standard for electric power generation, transmission and distribution (29 CFR 1910.269) and NEC 70E: Standard for Electrical Safety in the Workplace.

Before operating this tool, read and understand:

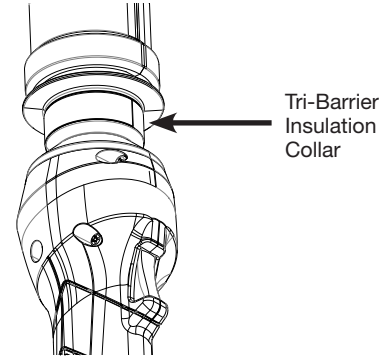
- This operator's manual
- The battery/charger manual
- The instructions for any other equipment used with this tool
- Markings on the tool
- Required worksite safety procedures

### Pre-Operation Inspection

	<b>⚠ WARNING</b>
	<p>Daily before use, inspect your electrical tool and correct any problems to reduce the risk of serious injury from electric shock, crushing injuries, equipment failure and other causes, and to prevent tool damage.</p>

1. Remove battery from tool.
2. Clean any oil, grease or dirt from the tool body and tool head, including handles and controls. The presence of excess oil, grease or dirt can harm the integrity of the insulation barrier. A clean tool also aids inspection and helps prevent the tool or control from slipping from your grip.
3. Always inspect the tool before each use:
  - Look for wear or damage, such as cracks, gouges, or chips to housing.
  - Closely inspect the Tri-Barrier Insulation Collar for cracks, gouges, or chips.
  - Look for leaking hydraulic oil.
  - Inspect the rotation of the head assembly. Fully retract the ram. The head should be free to rotate.
  - Check the die set.
  - Be sure the tool is clean, dry and free of contaminants.

If damage to housing or Tri-Barrier Insulation Collar is observed or suspected, or if hydraulic oil has leaked from the tool, do not use the tool. Contact Greenlee Customer Service at 800-435-0786 for warranty service or repair.



Tool damage may compromise insulation and present a risk of electric shock or arc flash, or cause the tool to break during use, producing projectiles that can injure nearby personnel.

The tool must be returned to Greenlee for dielectric testing of insulation at 2 years or 5000 cycles, whichever is sooner. See page 15 for service and maintenance.

This tool is not intended for use in marine applications.

Do not use in temperatures below -4 °F (-20 °C) or over 104 °F (40 °C). Extreme temperatures may damage the tool and compromise the insulation or increase likelihood of personal injury.

Do not use this tool in the rain, snow or other potentially dangerous weather conditions; this may compromise the tool's insulation.

### Set-Up

**Inspect the jobsite in accordance with OSHA Employer work specification requirements.**

**To the extent a live circuit can be de-energized, always de-energize the circuit before beginning work.**

Follow all workplace procedures for control of hazardous energy to prevent unintended energization while working. Always handle the line as though it is energized, even if it has been de-energized. When hot work is required, confirm that nominal voltage is below 1000V and measure voltage before beginning work.

**Follow set up and operating instructions to reduce the risk of injury from crushing, electrical shock and other causes and to prevent tool damage.**

1. Confirm work area safety (See, General Safety Warnings on pg. 4). Operate in a clear, level, stable, dry location. Do not use tool while standing in water or in contact with other conductors.



### Set-Up (cont'd)

2. Inspect the work to be done and determine the correct tool for the application. Using an incorrect tool for an application can cause injury, damage the tool, or cause personal injury. (See, this tool's

specifications on pg. 8.)

3. Confirm that the tool and head have been inspected as directed above.

### Handling the Tool During Use

To avoid contact with energized parts and reduce the risk of electrocution or arc flash, and to avoid cutting or pinching injuries, hold the tool properly during use:

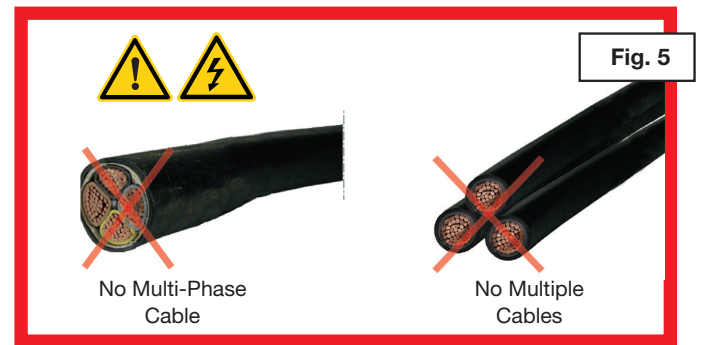
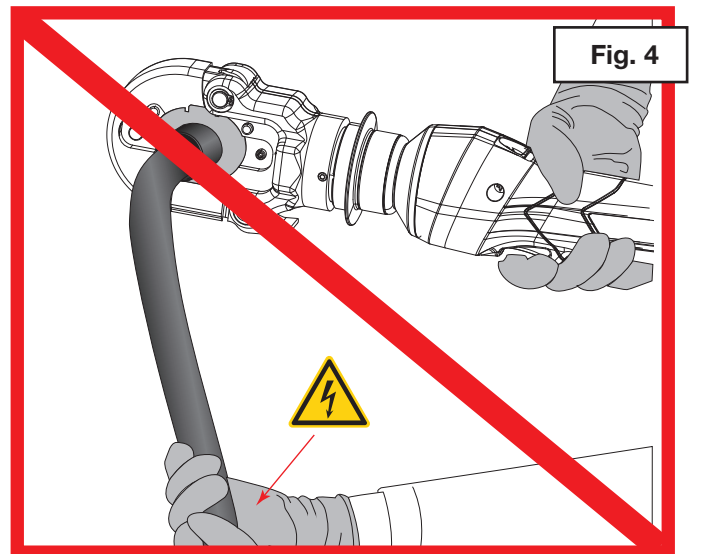
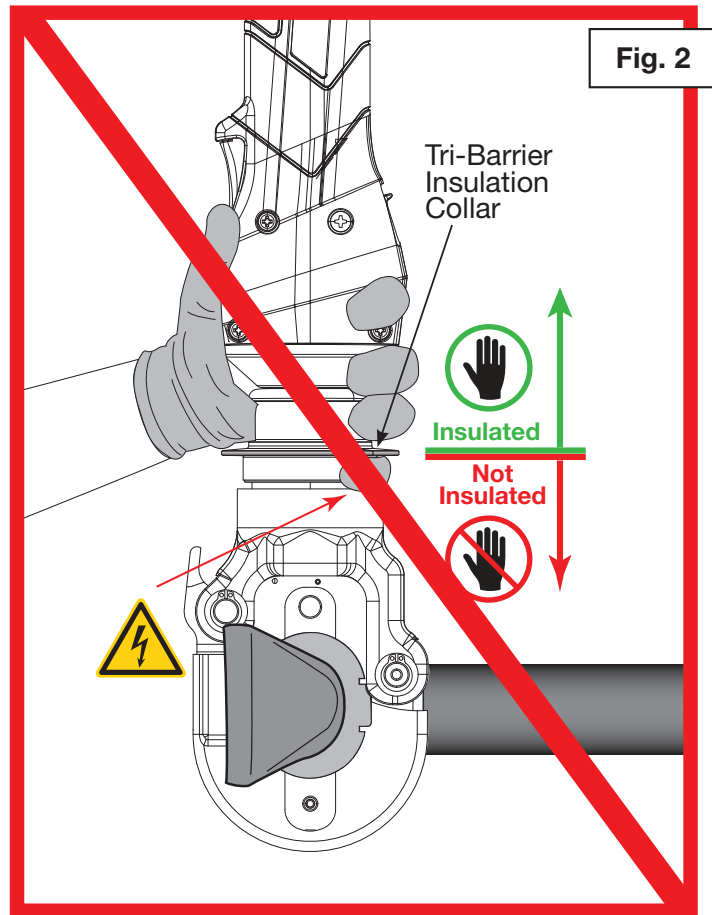
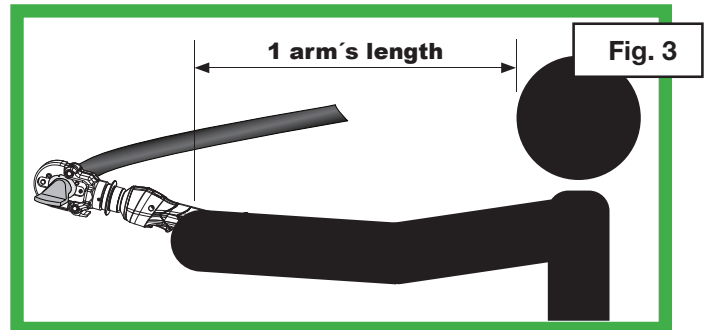
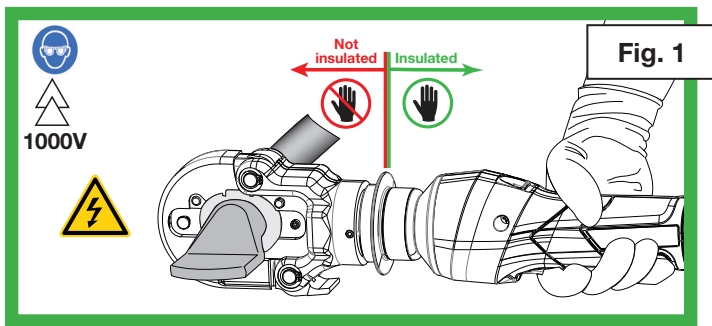
1. Touch the tool only on the insulated handle. (Fig. 1)
2. Do not touch any part of the tool past the Tri-Barrier Insulation Collar. Do not grip the collar. Keep hands

away from head. (Fig. 2)

3. Keep the tool at arm's length, away from your body. (Fig. 3)

4. Do not touch the cable. (Fig. 4)

5. Do not cut or crimp multi-phase cable or multiple cables at the same time.





### Die Selection

Crimps made on copper cable with Greenlee KC22-type dies and the copper connectors listed here are cUL and UL classified.

Crimps made on copper or aluminum cable with Greenlee KA22-type dies and the dual-rated aluminum connectors listed here are cUL and UL classified.

Refer to “Connector Selection” for brand names and model numbers of appropriate lugs as well as crimping instructions.

W-type or X-type dies can be used to crimp 8 AWG to 500 kcmil copper and 8 AWG to 4/0 AWG aluminum.

#### Dies for Copper Connectors

Catalog Number	UPC Number	Cable Size	Color Code
KC22-8	03079	8 AWG	Red
KC22-6	03080	6 AWG	Blue
KC22-4	03081	4 AWG	Gray
KC22-2	03082	2 AWG	Brown
KC22-1	03083	1 AWG	Green
KC22-1/0	03084	1/0 AWG	Pink
KC22-2/0	03085	2/0 AWG	Black
KC22-3/0	03086	3/0 AWG	Orange
KC22-4/0	03087	4/0 AWG	Purple
KC22-250	03088	250 kcmil	Yellow
KC22-300	03089	300 kcmil	White
KC22-350	03090	350 kcmil	Red
KC22-400	03091	400 kcmil	Blue
KC22-500	03092	500 kcmil	Brown
KC22-600	03093	600 kcmil	Green

#### Dies for Dual-rated Aluminum Connectors

Catalog Number	UPC Number	Cable Size
KA22-8	06744	8 AWG
KA22-6	06745	6 AWG
KA22-4	06746	4 AWG
KA22-2	06747	2 AWG
KA22-1	06749	1 AWG
KA22-1/0	06750	1/0 AWG
KA22-2/0	06751	2/0 AWG
KA22-3/0	06752	3/0 AWG
KA22-4/0	06753	4/0 AWG
KA22-250	06754	250 kcmil
KA22-300	06755	300 kcmil
KA22-350	06756	350 kcmil

### Connector Selection

**Tool Range:** Copper — 8 AWG to 600 kcmil; Dual-rated Aluminum — 8 AWG to 350 kcmil

When used with KC22-type dies, this tool is cUL and UL classified for use with the following connector brands:

Connector Type	Barrel Type	Anderson™	Blackburn®	Burndy®	ILSCO®	Panduit®	T&B®	Penn-Union™	No. of Crimps*
Copper Splice	Short	VHSS	CSP	YS-L	CT	SCSS/SCS	54504-54520	BCU	A
	Long	VHS	CU	YS	CTL	SCL/SCH	54804-54820	BBCU	B
Copper Lugs	Short	VHCS	CTL-2/CTL	YA-2LN/YA-L/YA-2L YA/YA-L-TC/YA-L-2TC	CSW CRA/CRB	LCAS/LCA LCD	54104-54120 54204-54218	BLU	A
	Long	VHCL	CTL-L/LCN	YA-2N	CLN/CLW CRA-L/CRB-L CRA-2L/CRB-2L	LCB/LCC	54930BE-54920BE 54850BE-54878BE	BBLU	B

When used with KA22-type dies, this tool is cUL and UL classified for use with the following connector brands:

Connector Type	Barrel Type	Anderson™	Blackburn®	Burndy®	ILSCO®	Panduit®	T&B®	Penn-Union™	No. of Crimps*
Dual-rated Aluminum Splice	—	VACS	ASP	YS-A	AS ASN	SA**	60501-60565	PIK	C
Dual-rated Aluminum Lugs	—	VACL	ATL	YA-A YA-ATN	ACL/ACN 2ACL/2ACN ALNS/ALNN/ALND	LAA/LAB**	60101-60166 60230-60267	BLUA	

\* Use the number of crimps listed in the last column instead of the number provided with the connector:

A — 8 to 1/0 AWG: 1 crimp  
2/0 AWG to 600 kcmil: 2 crimps

B — 8 to 1/0 AWG: 2 crimps  
2/0 to 3/0 AWG: 3 crimps  
4/0 AWG to 600 kcmil: 4 crimps

C — 8 to 2 AWG: 2 crimps  
1 to 3/0 AWG: 3 crimps  
4/0 AWG to 350 kcmil: 4 crimps

\*\* 6 AWG to 350 kcmil





## Die Installation

### Installing K22, KA22, and KC22-type Dies

1. Push the die release button.
2. Slide the die into the crimping head until it "snaps" into place.
3. Properly position the second die. Repeat step 2.

### Installing W-type Dies

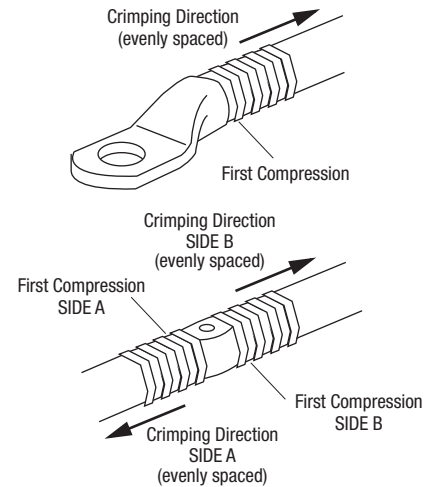
1. Push the die release button.
2. Slide the die adapter (Greenlee part number 50042920) into crimping head until it "snaps" into place.

*Note: The die adapters have the "D<sub>3</sub>" die profile. No additional dies are needed if the connector to be crimped requires a "D<sub>3</sub>" die.*

3. Repeat for the other adapter.
4. Press the locking flange and open the crimping head.
5. Push the W-type die detent and slide the W-type die into place
6. Repeat step 5 to properly position the second die.

## Preparing Cable

Follow the lug manufacturer's instructions for appropriate cable strip length.



## Operation

1. Wear appropriate Personal Protective Equipment, including eye, face, head and arm protection and other PPE as required by your employer, and/or as appropriate for the job.
2. Press the locking flange and open the crimping head.
3. Insert the properly assembled connector into the crimping head.
4. Close the crimping head.
5. Ensure arm's length distance between tool and user (Fig. 3, pg. 11) then pull the trigger to make the crimp.  
Note: Trigger activates white LED work light which remains on for 10 seconds after trigger is released.
6. Hold the trigger down until the crimping tool achieves pressure relief, which is accompanied by an audible "pop".
7. The ram will return automatically to the starting position.

The process can be interrupted at any moment by releasing the trigger. By actuating the retract button, the ram will return to the starting position. If you do not hear the sound of the relief valve or the ram does not automatically retract, the crimp is not complete.

Note: This tool is not designed for continuous use. After 100 cycles allow the tool to cool for 15 minutes.

Do not twist work piece or tool during operation. Failure could result.

*\*After completing the last crimp with W-type dies on an aluminum connector, wipe off the excess oxide inhibitor.*

## Carrying the Tool

The carrying ring and carrying strap are for carrying only. Never hang or suspend the tool by the strap.




## LCD Screen

This tool has an LCD screen that displays information about the tool. Turn on the screen by inserting the battery and tapping the trigger.

In normal operation, cycle through the various displays

using the left and right buttons on either side of the screen.

The LCD screen will also display error codes in the event of abnormal operation. See pg. 17 for error code troubleshooting.

Display	LCD Screen	Information Shown
0	 GREENLEE.	
1	P  P 	Bluetooth® status, battery charge, current pressure, max. pressure. Press and hold both buttons to change units, select with right button, and confirm by jogging the tool.
2	INFO FW: 2.0 123456AB001	Firmware version, serial number
3	CURRENT USER : 1 SINGLE CLICK MRS+	Current user. Press and hold both buttons to change user and toggle between single click and double click operation. Change the user and operation with the right button and confirm the selection by tapping the trigger. Selecting single click will allow the user to operate the tool with one trigger pull. Selecting double click will require the user to press the trigger twice within 1/2 second to operate the tool.
4	NEXT SERVICE 5000 OPS 730 DAYS	Cycles and days until next service.
5	TOTAL: T= 0.0h Q= 0.0Ah n= 0	Elapsed operating hours (T), Ah used (Q), and number of cycles (n) since date of manufacture.

## Bluetooth/i-Press App

This tool has Bluetooth capability that allows the tool to communicate with the Greenlee i-press App on your smart device.

1. Install the "i-press Klauke Software Solutions" app from the App Store or Google Play. Open the app on your smart device and select the Greenlee option.
2. Switch on the Bluetooth function on your smart device and activate the tool to establish a connection.
3. The app will allow you to create projects, personalize your tool, and display tool pressure readings, battery charge, the last service date, and more. Instructions how to use the app are shown in the i-press app itself; alternately, request MA6864 brochure from any Greenlee distributor.





### Storage and Cleaning

To avoid tool damage or compromise of the tool's insulation barriers: clean the housing with a damp cloth and mild detergent after every use. Dry completely and fully retract the ram. Place the tool in the carrying case and store in a cool dry place. Do not use the carrying strap to hang or suspend tool. Avoid dropping the

tool. If necessary, recharge the batteries. Refer to the instructions supplied with the battery charger. Store tool in proper manufacturer provided protective enclosure.

Keep this manual with the tool.

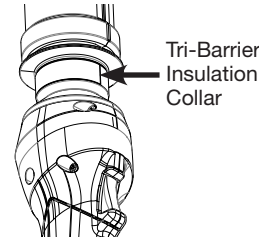
### Service and Maintenance

If damage to tool's housing or Tri-Barrier Insulation Collar is observed or suspected, or if hydraulic oil has leaked from the tool, do not use the tool. Tool safety could be compromised. Return tool immediately to Greenlee at 800-435-0786 for warranty service or repair.

Proper maintenance of the tool including periodic replacement of the tool's Tri-Barrier Insulation Collar componentry is required.

On the earlier of either 2 years or 5,000 cycles, Factory Service of the tool must be completed. Factory Service includes replacement of tool's di-electric hydraulic oil, replacement of tool's Tri-Barrier Insulation Collar componentry and di-electric testing of tool by trained technicians as well as general review of mechanical function.

#### The Tri-Barrier Insulation Collar componentry on the



**tool must be replaced every two years.** Failure to follow the required Factory Service schedule could compromise the insulating properties of the tool and result in serious injury.

The tool will alert when the earlier of either 2 years or 5,000 cycles is approaching and will alert again when Factory Service is required. When Factory Service date is approaching or arrived, contact Greenlee Customer Service. Expedited shipping is available. After contacting Greenlee Customer Service, the tool should be sent to the Greenlee Factory Service Center at 4411 Boeing Dr., Rockford, IL 61109.

Use this schedule to help track when your tool is due in for Factory Service.

Routine Service Calendar	Service Date	Notes
Date Placed into Service		
Date of First Factory Service		
Date of Second Factory Service		
Date of Third Factory Service		
Date of Fourth Factory Service		
Date of Fifth Factory Service		
Date of Sixth Factory Service		
Date of Seventh Factory Service		
Date of Eighth Factory Service		
Date of Ninth Factory Service		
Date of Tenth Factory Service		
Date of Eleventh Factory Service		

#### **⚠ WARNING**

Do not perform any service or maintenance other than as described in this manual. Personal injury or damage to the tool may result.

#### **⚠ WARNING**

The Tri-Barrier Insulating componentry must be replaced by Greenlee factory technicians every two years. Failure to replace Tri-Barrier Insulating componentry may result in personal injury or damage.



## Troubleshooting

### Before You Begin

1. Make sure that the battery is charged. Recheck the battery after several minutes to make sure the battery is holding its charge.
2. Use a **nonflammable** contact cleaner or pencil eraser to clean the electrical contacts on the battery and tool.
3. Reinstall the battery and check the tool again.

<b>Problem</b>	<b>Possible Cause</b>	<b>Probable Remedy</b>
Tool is inoperative.	Dirt, contaminants, etc., in ram area of tool.	Clean tool.
	Tool components worn or damaged.	Contact Greenlee Customer Service at 800-435-0786 for warranty service or repair.
Motor is inoperative.	Low or uncharged battery.	Try known charged battery. Inoperative battery may be discharged or may have reached life expectancy.
	Broken switch components.	Contact Greenlee Customer Service at 800-435-0786 for warranty service or repair.
Motor runs but tool will not complete a cycle.	Oil level low.	Contact Greenlee Customer Service at 800-435-0786 for warranty service or repair.
	Air in hydraulic system.	Pull trigger and hold retract button simultaneously. Run for approximately 10 seconds, and then attempt to cycle the tool. If unsuccessful, contact Greenlee Customer Service at 800-435-0786 for warranty service or repair.
	Cold oil.	Pull trigger and hold retract button simultaneously to warm oil. Store tool in warm area.
Tool loses oil.	Damaged seal.	Contact Greenlee Customer Service at 800-435-0786 for warranty service or repair.



### Troubleshooting (cont'd)

If certain problems arise with the tool, an error code appears on the LCD screen (see pg. 14).

Error Code	Meaning	Action
1	Overcurrent fuse	Seek Service
2	Overcurrent comparator	Seek Service
3	Overheated circuit board	Cool Tool
4	Overheated battery	Cool Battery
5	Battery empty; operation stops	Charge Battery
6	Faulty crimp; complete cycle	Seek Service
7	Faulty crimp; incomplete cycle	Seek Service
8	Low battery	Charge Battery
9	Battery empty	Charge Battery
10	Real-time clock battery low	Seek Service
11	Tool deactivated	Seek Service
12	Service necessary	Seek Service
13	Real-time clock not found	1. Re-insert Battery 2. Seek Service
14	Bluetooth® unit not found	1. Re-insert Battery 2. Seek Service
15	[Not Used]	
16	Pressure sensor not found	Seek Service
17	Burst pressure exceeded	Seek Service
18	Battery temperature too low	Warm Battery
19	Blinking Screen 4,750 cycles exceeded	Seek Service

### LED Indicator (red)

This tool is equipped with a special circuit board incorporating several important features to inform the user about the current status of the unit. The LED signals in the following cases:

What happens	Signal	What it means	What to do
Tool will <b>not</b> start, and constant light for 20 seconds when trigger is released		Battery charge low	Change or charge battery
Tool will stop, and constant light for 20 seconds after trigger is released			
Tool will stop, and flashing light for 20 seconds when trigger is released		Motor current exceeds 20 A during cycle Circuit has become too hot	Let tool cool
Flashing light for 20 seconds at end of cycle	and audible warning	Indicates 4,750 cycles exceeded or 21 months exceeded	

Note: The tool will indicate when re-certification is near. Starting at 4,750 cycles or 21 months (whichever occurs first), the red LED and work LED will flash, an audible warning will sound, and the LED will display SERVICE NECESSARY for 20 seconds after every cycle. After 5,000 cycles or 2 years, the tool will not operate unless the battery is removed and reinstalled. Only one cycle is possible each time the battery is reinstalled.



**Model X—FCC ID: RFR-S50; IC ID: 4957A-S50**

**USA requirements:**

Responsible party: Greenlee Tools, Inc.  
Rockford, IL 61109 USA

*Note: This equipment has been tested and found to comply with the limits for a Class A digital device, pursuant to Part 15 of the FCC Rules. These limits are designed to provide reasonable protection against harmful interference when the equipment is operated in a commercial environment. This equipment generates, uses, and can radiate radio frequency energy and, if not installed and used in accordance with the instruction manual, may cause harmful interference to radio communications. Operation of this equipment in a residential area is likely to cause harmful interference in which case the user will be required to correct the interference at his own expense.*

*This device complies with the RF exposure SAR test exclusion requirements for portable devices, if a minimum separation distance is kept. However, the device shall be used in such a manner that the potential for human contact during normal operation is minimized.*

**Canada requirements:**

*This device complies with Industry Canada’s license-exempt RSSs. Operation is subject to the following two conditions:*

- (1) This device may not cause interference; and*
- (2) This device must accept any interference, including interference that may cause undesired operation of the device.*

*Le présent appareil est conforme aux CNR d’Industrie Canada applicables aux appareils radio exempts de licence. L’exploitation est autorisée aux deux conditions suivantes:*

- 1) l’appareil ne doit pas produire de brouillage;*
- 2) l’utilisateur de l’appareil doit accepter tout brouillage radioélectrique subi, même si le brouillage est susceptible d’en compromettre le fonctionnement.*

**Warranty**

Model "VX" insulated tools are covered by the standard Greenlee Limited Warranty for a period of 7 years, this limited warranty excludes coverage for the Tri-Barrier Insulation Collar and componentry.

The Tri-Barrier Insulation Collar and componentry are covered by the standard Greenlee Limited Warranty for a period of 2 years.

To review the standard Greenlee Limited Warranty, visit [www.greenlee.com](http://www.greenlee.com).

For warranty claims and/or factory service please contact Greenlee Customer Service by phone at 800-435-0786.

Shipping address:

Greenlee Factory Service Center  
4411 Boeing Dr., Rockford, IL 61109

*Reminder: Warranty claim is void if warranty seal on tool is broken.*

**⚠ WARNING**

Do not perform any service or maintenance other than as described in this manual. Personal injury or damage to the tool may result.

**⚠ WARNING**

The Tri-Barrier Insulating componentry must be replaced by the factory every two years. Failure to replace may result in personal injury or damage.



**GREENLEE®**

# **Gator® Insulated Battery-Powered In-Line Crimper**

---



**GREENLEE®**

4455 Boeing Drive • Rockford, IL 61109-2988 • USA • 815-397-7070  
©2019 Greenlee Tools, Inc. • An ISO 9001 Company

[www.greenlee.com](http://www.greenlee.com)

**USA** Tel: 800-435-0786  
Fax: 800-451-2632

**Canada** Tel: 800-435-0786  
Fax: 800-524-2853

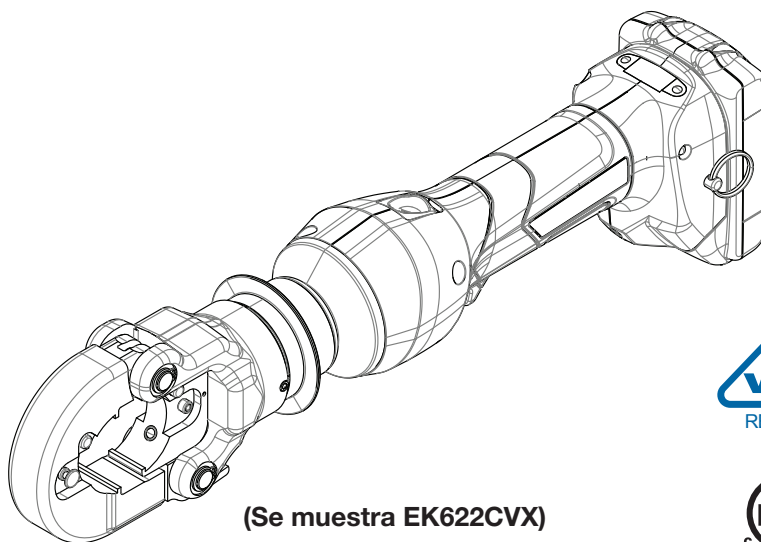
**International** Tel: +1-815-397-7070  
Fax: +1-815-397-9247

# MANUAL DE FUNCIONAMIENTO



Registrar el número de serie aquí

(Consultar la pág. 14 para acceder a las instrucciones de la pantalla LCD)



(Se muestra EK622CVX)



## Herramienta de engarzado con aislamiento y alimentada con batería GATOR®



Lea y entienda todas las instrucciones y la información de seguridad de este manual antes de utilizar esta herramienta.

**GUARDE ESTE MANUAL**

## Índice

Formulario de registro para el número de serie del equipo .....	1	Transporte de la herramienta .....	14
Índice .....	2	Pantalla LCD .....	14
Símbolos de seguridad .....	3	Aplicación Bluetooth/I-Press.....	14
Advertencias y aspectos generales de seguridad con herramientas eléctricas		Almacenamiento y limpieza .....	15
Seguridad del área de trabajo .....	4	Servicio y mantenimiento .....	15
Seguridad en materia de electricidad .....	4	Solución de problemas .....	16-17
Seguridad personal .....	4	Indicador LED (rojo).....	17
Uso y cuidado de herramientas eléctricas.....	5	Certificación FCC .....	18
Uso y cuidado de herramientas con baterías .....	5	Certificación IC.....	18
Servicio .....	5	Garantía .....	18
Advertencias especiales .....	5		
Información de seguridad específica de la herramienta			
Riesgos del engarzado.....	6		
Peligros eléctricos.....	6		
Reparaciones y modificaciones .....	6		
Seguridad de las baterías .....	6		
Seguridad del cargador.....	6		
Descripción .....	7		
Características importantes .....	7		
Identificación .....	8		
Especificaciones .....	8		
Calcomanías y ubicación .....	9		
Funcionamiento de la herramienta			
Capacitación y cualificaciones.....	10		
Inspección previa a la operación .....	10		
Instalación .....	10-11		
Manipulación de la herramienta durante el uso .....	11		
Selección de troqueles.....	12		
Selección de conectores.....	12		
Instalación del troquel.....	13		
Funcionamiento.....	14		



**¡No desechar este producto ni tirarlo a la basura!**

Para obtener información sobre reciclaje, visite [www.greenlee.com](http://www.greenlee.com).

Puede obtener copias adicionales de manera gratuita en [www.greenlee.com](http://www.greenlee.com).

GATOR es una marca comercial registrada de Greenlee Tools, Inc.  
 Bluetooth es una marca comercial registrada de Bluetooth SIG, Inc.  
 MAKITA es una marca comercial registrada de Makita Corporation.  
 Blackburn es una marca registrada de Thomas & Betts International.  
 Anderson es una marca comercial de Hubbell Corp.

Burndy es una marca comercial registrada de Hubbell Inc.  
 ILSCO es una marca comercial registrada de ILSCO Corp.  
 Panduit es una marca comercial registrada de Panduit Corp.  
 T&B es una marca registrada de Thomas & Betts International.  
 Penn-Union es una marca comercial registrada de Penn Union Corp.



## Símbolos de seguridad

En este manual del operador y en el producto, los símbolos de seguridad y las palabras de señalización se utilizan para comunicar información de seguridad importante. Esta sección se proporciona para mejorar la comprensión de estas palabras y símbolos de señalización.



Este es el símbolo de alerta de seguridad. Se utiliza para alertarlo sobre potenciales peligros de lesiones personales. Obedezca todos los mensajes de seguridad que siguen a este símbolo para evitar posibles lesiones o la muerte.

### PELIGRO

PELIGRO indica una situación peligrosa que, si no se evita, causará la muerte o lesiones graves.

### ADVERTENCIA

ADVERTENCIA indica una situación peligrosa que, si no se evita, puede causar la muerte o lesiones graves.



Este símbolo significa que debe leerse cuidadosamente el manual del operador antes de utilizar el equipo. El manual del operador contiene información importante sobre el funcionamiento seguro y adecuado del equipo.



Este símbolo significa que siempre deben usarse gafas de seguridad con protectores laterales o anteojos al manipular o utilizar este equipo para reducir el riesgo de lesiones oculares.



Este símbolo indica el riesgo de que las manos, los dedos u otras partes del cuerpo se lastimen o se amputen.



Este símbolo indica el riesgo de descarga eléctrica.



Este símbolo indica el riesgo de arco eléctrico.



Este símbolo indica que un área no debe tocarse. Esta área no está aislada.



Este símbolo indica que un área puede tocarse. Esta área está aislada.





## ADVERTENCIAS Y ASPECTOS GENERALES DE SEGURIDAD CON HERRAMIENTAS ELÉCTRICAS\*

### ⚠ ADVERTENCIA

Lea todas las advertencias, las instrucciones, las ilustraciones y las especificaciones de seguridad que se incluyen junto con esta herramienta eléctrica. De no observarse todas las instrucciones indicadas a continuación podría producirse electrocución, incendio y/o lesiones graves.

\*Se requiere el texto utilizado en la sección de advertencias de seguridad de la herramienta general de alimentación de este manual de la norma EN 62841-1 correspondiente, según la cual se prueba esta herramienta. Esta sección contiene procedimientos de seguridad generales para muchos tipos diferentes de herramientas eléctricas. No todas las precauciones se aplican a todas las herramientas, y algunas pueden no aplicarse a esta herramienta.

### GUARDE TODAS LAS ADVERTENCIAS Y LAS INSTRUCCIONES PARA REFERENCIA FUTURA.

El término “herramienta eléctrica” en las advertencias indicadas a continuación se refiere a sus herramientas eléctricas accionadas con cable eléctrico y a las herramientas accionadas con baterías (inalámbricas).

### Seguridad del área de trabajo

**Mantenga el área de trabajo limpia y bien iluminada.** Las áreas desordenadas y oscuras propician accidentes.

**No use herramientas eléctricas en atmósferas explosivas, como ocurre en presencia de líquidos, gases o polvos inflamables.** Las herramientas eléctricas generan chispas que pueden encender el polvo o los vapores.

**Mantenga alejados a los niños y a los observadores mientras opera una herramienta eléctrica.** Las distracciones pueden causarle la pérdida del control.

### Seguridad en materia de electricidad

**Los enchufes de la herramienta eléctrica deben corresponder con los agujeros en el tomacorriente. Nunca modifique el enchufe de manera alguna. No use enchufes adaptadores en herramientas eléctricas con conexión a tierra.** Los enchufes sin modificación y sus correspondientes tomacorrientes reducirán el riesgo de electrocución.

**Evite el contacto corporal con superficies conectadas a tierra tales como tuberías, radiadores, estufas y refrigeradores.** Existe un mayor riesgo de electrocución si su cuerpo se conecta a tierra.

**No exponga las herramientas eléctricas a la lluvia ni a condiciones de humedad.** El agua que ingrese a una herramienta eléctrica aumentará el riesgo de electrocución.

**No use indebidamente el cordón eléctrico. Nunca use el cordón eléctrico para transportar, tirar de o desenchufar la herramienta eléctrica. Mantenga el cordón eléctrico alejado del calor, el aceite, los bordes filosos y las piezas móviles.** Los cordones eléctricos dañados o enredados aumentan el riesgo de electrocución.

**Al operar una herramienta eléctrica en exteriores, use un cordón eléctrico de extensión adecuado para uso en exteriores.** El uso de un cordón eléctrico adecuado para uso en exteriores reduce el riesgo de electrocución.

**Si es inevitable el uso de una herramienta eléctrica en una ubicación húmeda, use una alimentación eléctrica protegida con un DISPOSITIVO DE CORRIENTE RESIDUAL (RCD).** El uso de un dispositivo RCD reduce el riesgo de electrocución.

### Seguridad personal

**Esté alerta, vea lo que está haciendo y use el sentido común al operar una herramienta eléctrica. No use una herramienta eléctrica cuando esté cansado o esté bajo la influencia de drogas, alcohol o medicamentos.** Un momento de descuido mientras opera herramientas eléctricas podría provocar lesiones graves.

**Use equipo de protección personal. Use siempre protección ocular.** El equipo de protección, como las mascarillas contra polvo, zapatos de seguridad antideslizantes, cascos de seguridad o protección auditiva, utilizados para las condiciones apropiadas pertinentes, reducirá la probabilidad de lesiones personales.

**Prevenga la puesta en marcha no intencional. Asegúrese que el interruptor esté en la posición de apagado antes de conectar la alimentación eléctrica y/o el paquete de BATERÍAS, levantar la herramienta o transportarla.** Transportar herramientas eléctricas con su dedo colocado en el interruptor o conectar herramientas eléctricas con el interruptor en la posición de encendido aumenta la probabilidad de accidentes.

**Retire cualquier llave de ajuste o llave para tuercas antes de encender la herramienta eléctrica.** Una llave para tuercas o la llave de ajuste que se deje acoplada a una pieza rotativa de la herramienta eléctrica pueden provocar lesiones personales.

**No trate de alcanzar demasiado lejos. Mantenga una postura correcta y el equilibrio en todo momento.** Esto permite un mejor control de la herramienta eléctrica en situaciones inesperadas.

**Use la ropa apropiada. No use ropa suelta ni joyas. Mantenga su cabello, ropa y guantes alejados de las partes móviles.** La ropa suelta, la joyería o el cabello largo pueden quedar atrapados en las partes móviles.

**Si se suministran dispositivos para la conexión de extracción de polvo y aditamentos recolectores, asegúrese que estos se encuentren conectados debidamente y se usen correctamente.** La recolección de polvo puede reducir los peligros relacionados con el polvo.

**No permita que la familiaridad que se logra por usar ciertas herramientas de manera frecuente se convierta en una complacencia que le haga ignorar los principios de seguridad de esas herramientas.** Una acción poco cuidadosa puede causar lesiones graves en una fracción de segundo.

## Uso y cuidado de herramientas eléctricas

**No fuerce la herramienta eléctrica. Use la herramienta eléctrica apropiada para su aplicación.** La herramienta eléctrica apropiada hará el trabajo mejor, con mayor seguridad y a la velocidad para la cual está diseñada.

**No use la herramienta eléctrica si el interruptor no la enciende o no la apaga.** Cualquier herramienta que no se pueda controlar con el interruptor es peligrosa y debe ser reparada.

**Desconecte el enchufe de la fuente de alimentación eléctrica y/o desconecte el paquete de BATERÍAS (si es extraíble) de la herramienta eléctrica antes de realizar cualquier ajuste, cambiar accesorios o guardar las herramientas eléctricas.** Estas medidas de seguridad preventivas reducen el riesgo de encender accidentalmente la herramienta eléctrica.

**Guarde las herramientas eléctricas apagadas fuera del alcance de los niños y no permita que personas que no conozcan la herramienta eléctrica o estas instrucciones operen la herramienta eléctrica.** Las herramientas eléctricas son peligrosas en las manos de usuarios sin entrenamiento.

**Mantenga las herramientas eléctricas y los accesorios. Verifique que no haya desalineación y agarrotamiento de partes móviles, ruptura de componentes ni cualquier otra condición que pueda afectar el funcionamiento de la herramienta eléctrica. Si está dañada, haga reparar la herramienta eléctrica antes de usarla.** Muchos accidentes son causados por herramientas eléctricas con mantenimiento deficiente.

**Mantenga las herramientas de corte bien afiladas y limpias.** Las herramientas de corte que reciben el mantenimiento debido, con bordes de corte filosos, tienen menos probabilidades de entraparse y son más fáciles de controlar.

**Use la herramienta eléctrica, los accesorios y las puntas o las brocas de la herramienta, etc. de conformidad con estas instrucciones, tomando en cuenta las condiciones de trabajo y el trabajo a realizar.** El uso de la herramienta eléctrica en operaciones diferentes a las previstas podría provocar una situación peligrosa.

**Mantenga las manijas y las superficies de agarre secas, limpias y libres de aceite y grasa.** Las manijas y las superficies de agarre resbaladizas no permiten un manejo y un control seguros de la herramienta en situaciones inesperadas.

## Uso y cuidado de herramientas con baterías

**Cargue la unidad solamente con el cargador especificado por el fabricante.** Un cargador que sea adecuado para un tipo de paquete de BATERÍAS puede crear un riesgo de incendio cuando se utiliza con otro tipo de paquete de BATERÍAS.

**Use la herramienta eléctrica solamente con paquetes de BATERÍAS específicamente designados.** El uso de cualquier otro paquete de BATERÍAS puede crear un riesgo de lesión e incendio.

**Cuando el paquete de BATERÍAS no está en uso, manténgalo alejado de objetos metálicos como ganchos sujetos papeles, monedas, llaves, clavos, tornillos u otros objetos metálicos pequeños que puedan establecer una conexión de un terminal al otro.** El cortocircuito entre los terminales de la batería puede causar quemaduras o un incendio.

**En condiciones de uso indebido, puede salir líquido de la batería; evite el contacto. Si ocurre el contacto accidental, enjuáguese con agua. Si el líquido hace contacto con los ojos, procure atención médica.** El líquido expulsado de la batería puede causar irritación o quemaduras.

**No utilice un paquete de BATERÍAS o una herramienta que estén dañados o modificados.** Las baterías dañadas o modificadas pueden presentar un comportamiento impredecible, lo que provoca incendio, EXPLOSIÓN o riesgo de lesiones.

**No exponga un paquete de BATERÍAS o una herramienta al fuego o a una temperatura excesiva.** La exposición a incendio o a temperaturas superiores a 265 °F (130 °C) puede causar explosiones.

**Siga todas las instrucciones de carga y no cargue el paquete de BATERÍAS o la herramienta fuera del rango de temperatura especificado en las instrucciones.** La carga inadecuada o a temperaturas fuera del rango especificado puede dañar la batería y aumentar el riesgo de incendio.

## Servicio

**Haga reparar su herramienta eléctrica por un técnico calificado que utilice solamente repuestos idénticos.** Esto garantizará el mantenimiento de la seguridad de las herramientas eléctricas.

**Nunca realice tareas de mantenimiento en paquetes de BATERÍAS dañados.** El servicio de los paquetes de BATERÍAS solo debe ser realizado por fabricantes o proveedores de servicio autorizados.

## Advertencias especiales

**Las herramientas hidráulicas pueden ser pesadas y pueden requerir soporte adicional.** Nunca se debe sobrestimar la capacidad de manejar la herramienta.



## INFORMACIÓN DE SEGURIDAD ESPECÍFICA DE LA HERRAMIENTA

### ⚠ ADVERTENCIA

Esta sección contiene información de seguridad importante específica de esta herramienta.

Lea detenidamente estas precauciones antes de utilizar la herramienta para reducir el riesgo de electrocución o lesiones graves.

El funcionamiento o servicio inadecuados presenta un riesgo de lesiones graves o la muerte por electrocución, arco eléctrico, quemaduras térmicas, corte, aplastamiento y otros riesgos.

#### ¡CONSERVE ESTAS INSTRUCCIONES!

Se incluye un compartimento en la caja de transporte de herramientas para conservar este manual junto con la herramienta de referencia antes de cada operación.

## Riesgos del engarzado



**Mantenga los dedos y las manos lejos del cabezal de la herramienta durante el ciclo de operación.** Existe riesgo de aplastamiento, fractura o amputación de los dedos o las manos si se capturan en el cabezal de la herramienta o entre el cabezal de la herramienta y otros objetos.

**Una persona debe controlar el proceso de trabajo y el funcionamiento de la máquina.** Solo el operador debe estar en el área cuando la herramienta está en funcionamiento. Esto ayuda a reducir el riesgo de lesiones.

**Durante el uso se generan fuerzas de gran magnitud que pueden romper o expulsar piezas y causar lesiones. Mantenga todo el personal innecesario lejos del área de trabajo.** Manténgase alejado durante la operación y use los equipos de protección adecuados, incluida protección ocular.

## Peligros eléctricos



Esta herramienta está aislada y proporcionará una barrera secundaria de protección de aislamiento máxima de 1000 voltios. Incluso con esta herramienta aislada, siempre debe usar el equipo de protección personal (PPE) adecuado como protección principal contra electrocución y arco eléctrico.

Siga todos los procedimientos de trabajo apropiados y requeridos y use todos los PPE necesarios cuando en la obra al trabajar con líneas eléctricas energizadas. Si no está capacitado ni familiarizado con los requisitos de obra y PPE adecuados, no utilice esta herramienta.

## Reparaciones y modificaciones

**No modifique la herramienta.** Cualquier modificación de la herramienta puede ocasionar lesiones y la anulación de la garantía de la herramienta. No haga funcionar la herramienta si se daña el revestimiento de PVC en el cabezal.

**No repare nunca un cabezal dañado.** Un cabezal que haya sido soldado, esmerilado, perforado o modificado de cualquier manera puede romperse durante el uso. Para reducir el riesgo de lesiones, nunca reemplace componentes individuales. Deseche los cabezales dañados.

No intente abrir la herramienta. Contiene piezas que el usuario no puede reparar.

## Seguridad de las baterías

**Para reducir el riesgo de incendio, explosión o electrocución:** No permita que nada entre en contacto con los terminales de la batería.

No sumerja las baterías en líquido. El líquido podría causar un cortocircuito y dañar la batería. Si las baterías se sumergen en un líquido, póngase en contacto con su centro de servicio técnico para su reparación.

No coloque la batería en un bolsillo, bolsa de herramientas o caja de herramientas junto a objetos conductivos. Los objetos conductores de la electricidad podrían causar un cortocircuito y dañar la batería.

No coloque la batería sobre terrenos o céspedes húmedos. La humedad podría causar un cortocircuito y dañar la batería.

No intente abrir la batería. No contiene piezas que requieran mantenimiento por parte del usuario.

No almacene la batería a una temperatura por encima de 104 °F (40 °C) o por debajo de -4 °F (-20 °C). La batería podría dañarse.

### ⚠ ADVERTENCIA

No deseche las baterías en un incendio. Esto produciría la emisión de gases y una posible explosión. No prestar atención a esta advertencia puede causar daños personales graves debido a la emisión de gases nocivos o a quemaduras producidas por la explosión.

## Seguridad del cargador

Lea las instrucciones suministradas con el cargador de la batería. No utilice el cargador de otro fabricante. Los cargadores de otros fabricantes podrían sobrecargar la batería y dañarla, o causar lesiones.

## Descripción

La engarzadora con aislamiento y alimentada con batería Greenlee es una herramienta de engarzado manual e independiente para engarzar cables de cobre y aluminio con troqueles tipo KC22, KA22 y W.

Esta herramienta está aislada y proporcionará una protección secundaria máxima de 1000 voltios cuando se utiliza con el equipo de protección personal y los procedimientos de seguridad adecuados y de acuerdo con este manual.

La herramienta tiene conectividad Bluetooth® y una pantalla LCD.

Todas las especificaciones son nominales y pueden cambiar si se realizan mejoras en el diseño.

Estas herramientas están protegidas por las patentes de EE. UU. N.º 6 276, 186, 6 401, 515, 6 718, 870, 7 086, 979 y 7 254, 982.

Patente pendiente.

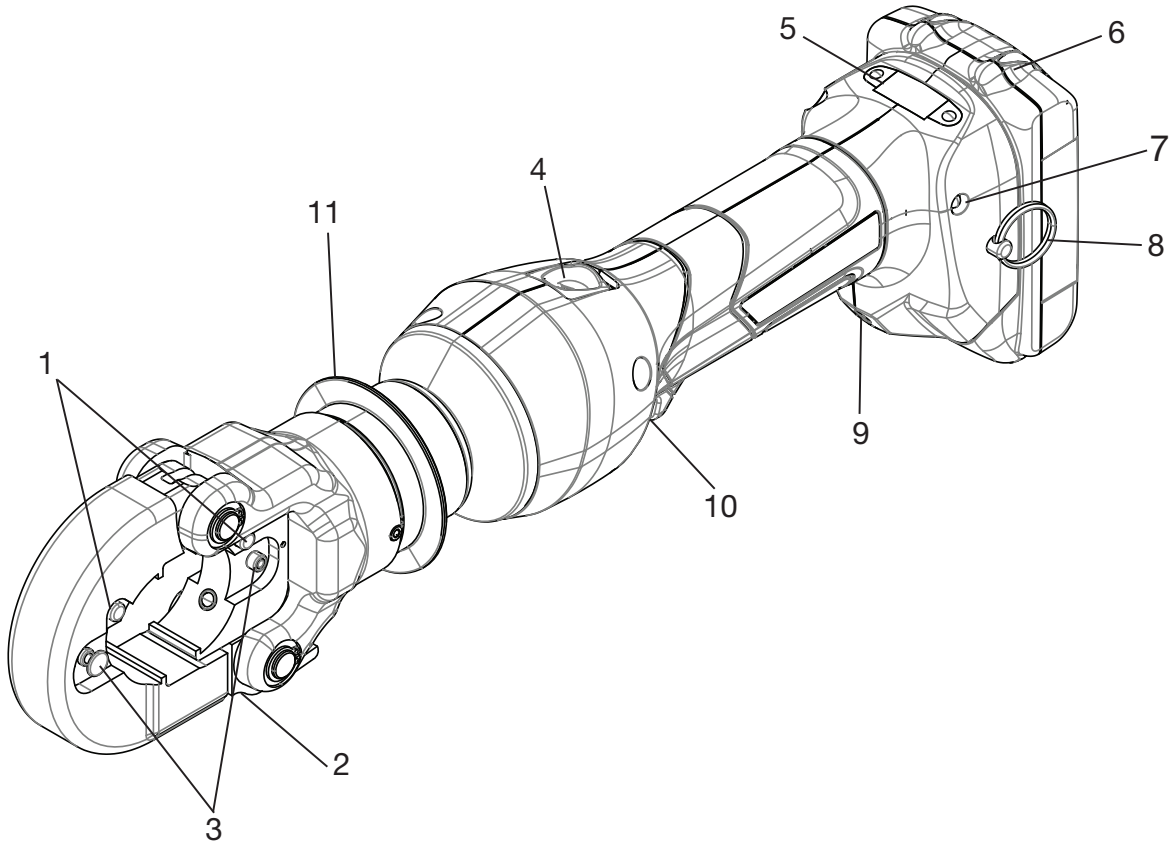
## Características importantes

- La herramienta dispone de un sistema retráctil automático, que hace que el pistón se repliegue hasta la posición inicial cuando se alcanza la máxima fuerza.
- La herramienta está equipada con un freno especial que detiene el movimiento hacia adelante del pistón cuando se deja de apretar el gatillo.
- El cabezal de engarzado se ha diseñado para girar alrededor del eje longitudinal para poder llegar mejor a esquinas de acceso complicado y otras áreas donde resulte difícil trabajar.
- Esta herramienta viene equipada con un sensor de presión que ayuda a alertar al usuario si el engarzado no se ha completado correctamente.
- Si repliega la herramienta manualmente antes de completar el engarzado, se activará el LED rojo y oírás un pitido durante 2 segundos.
- Si la herramienta no puede alcanzar la fuerza de engarzado necesaria, se activarán el LED rojo y la luz de funcionamiento y oírás un pitido hasta que suelte el gatillo.



### Identificación EK622CVX

- |                                      |                         |  |
|--------------------------------------|-------------------------|--|
| 1. Botones de liberación del troquel | 5. Pantalla LCD         | 9. Luz LED de funcionamiento (blanco)          |
| 2. Pestaña de bloqueo                | 6. Cartucho de batería  | 10. Gatillo                                    |
| 3. Retenedores de troquel tipo W     | 7. Indicador LED (rojo) | 11. Casquillo de aislamiento de barrera triple |
| 4. Botón de retracción               | 8. Anillo de cordón     |  |



### Especificaciones

Herramienta de engarzado

Largo (con batería).....	16,97 in (431 mm)
Ancho .....	2,95 in (75 mm)
Profundidad .....	4,92 in (125 mm)
Peso.....	6,4 lb (2,9 kg)
Fuerza de engarzado.....	6 toneladas (53 kN)
Rango de temperatura de funcionamiento recomendado .....	-4 °F a 104 °F (-20 °C a 40 °C)

Capacidades de engarzado

Tamaño máximo del cable

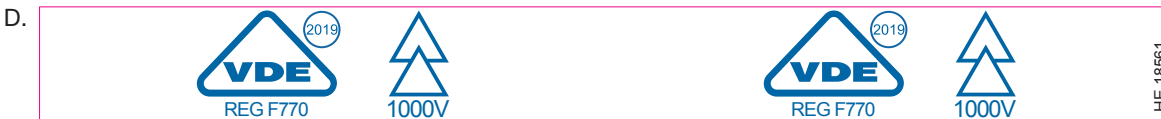
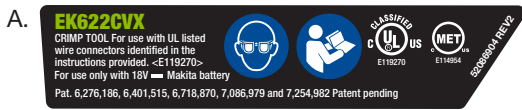
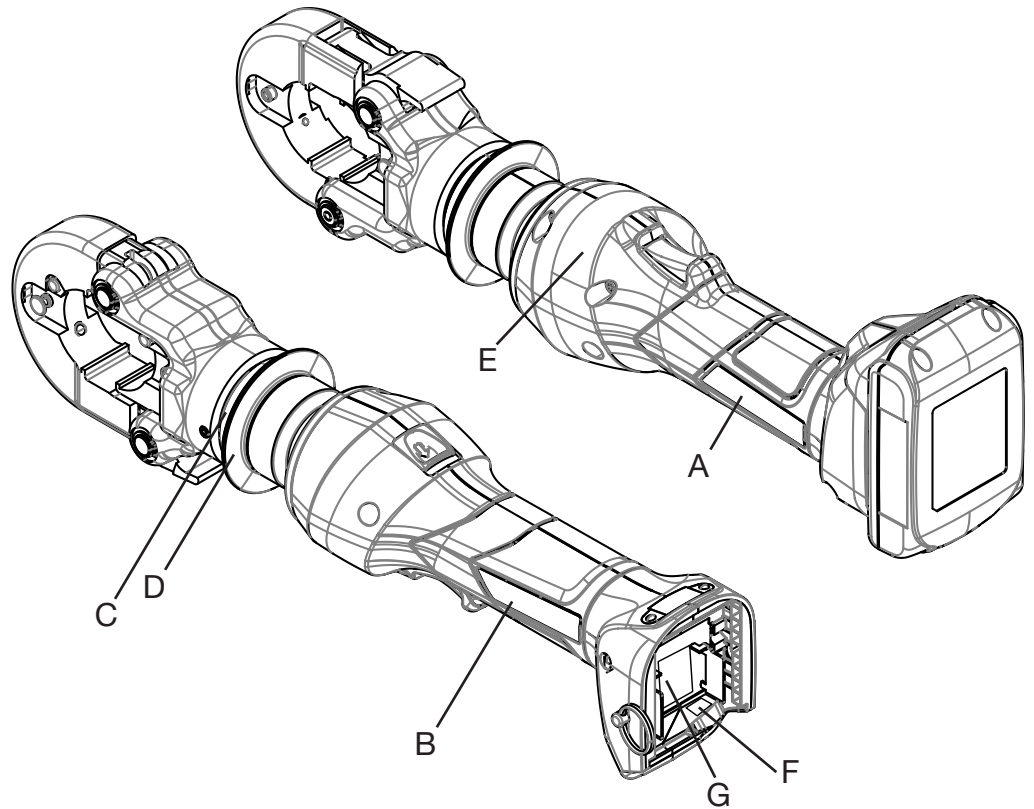
Cobre.....	600 kcmil
Aluminio.....	350 kcmil

Tecnología de la batería.....	MAKITA® LXT® de iones de litio
	BL1815, BL1820, BL1830, BL1840, BL1850



## Calcomanías y ubicación

- A. Identificación del modelo
- B. Identificación de marca y de fabricación
- C. Advertencia de tensión eléctrica
- D. Certificación VDE/año de último servicio
- E. Advertencia de inspección
- F. Certificación FCC
- G. Calcomanía de dirección de fabricación





## FUNCIONAMIENTO DE LA HERRAMIENTA

### Capacitación y cualificaciones

Asegúrese de estar capacitado y cualificado por su empleador para cualquier tarea donde se utilice esta herramienta, especialmente en un entorno de línea activa. Cuando sea necesario, por ejemplo, para la instalación, la extracción y la reparación de las líneas energizadas a más de 600 V, asegúrese de que al menos una segunda persona capacitada y cualificada esté presente a la distancia adecuada.

Realice todas las capacitaciones y respete todas las precauciones de seguridad en obras para tensión eléctrica adecuadas. Consulte también el estándar de OSHA para generación, transmisión y distribución de energía eléctrica (29 CFR 1910.269) y NEC 70E: Estándar para la seguridad eléctrica en el lugar de trabajo.

Antes de operar esta herramienta, lea y comprenda lo siguiente:

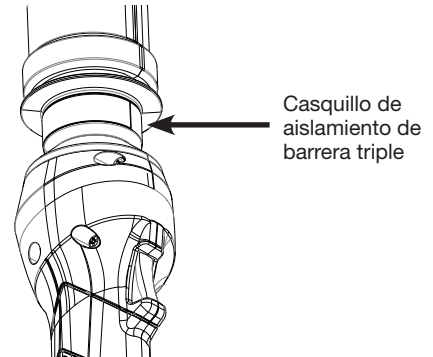
- Este manual del operador
- El manual de las baterías/cargador
- Las instrucciones para cualquier otro equipo utilizado con esta herramienta
- Las marcas en la herramienta
- Los procedimientos de seguridad en el lugar de trabajo requeridos

### Inspección previa a la operación

	<b>⚠ ADVERTENCIA</b>
	<p>Antes del uso diario, revise la herramienta eléctrica y corrija cualquier problema, a fin de reducir el riesgo de lesiones graves por descargas eléctricas, lesiones por aplastamiento, fallas del equipo y otras causas, y evitar daños en la herramienta.</p>

1. Quite la batería de la herramienta.
2. Limpie el aceite, la grasa o la suciedad del cuerpo de la herramienta y del cabezal de la herramienta, incluidos las palancas y controles. La presencia de un exceso de aceite, grasa o suciedad puede dañar la integridad de la barrera de aislamiento. Una herramienta limpia ayuda durante la inspección y evita que se pierda el control de la herramienta.
3. Inspeccione la herramienta antes de cada uso:
  - Busque señales de daños o de desgaste, como grietas, golpes u otros desperfectos en la carcasa.
  - Inspeccione atentamente el casquillo de aislamiento de barrera triple para descubrir grietas, sobrecortes o virutas.
  - Compruebe que no haya fugas de aceite hidráulico.
  - Inspeccione el giro del conjunto del cabezal. Repliegue totalmente el pistón retráctil. El cabezal debe estar libre para girar.
  - Revise el conjunto de troqueles.
  - Asegúrese de que la herramienta esté limpia, seca y sin contaminantes.

Si se observa o se sospecha que hay daños en la carcasa o en el casquillo de aislamiento de barrera triple, o si el aceite hidráulico se ha perdido de la herramienta, no la utilice. Para consultas sobre servicio de garantía o reparaciones, póngase en contacto con el servicio de atención al cliente de Greenlee al 800-435-0786.



Los daños en la herramienta pueden poner en riesgo el aislamiento y presentar un riesgo de electrocución o arco eléctrico, o hacer que la herramienta se interrumpa durante el uso, lo que produce proyectiles que pueden lesionar al personal cercano.

La herramienta debe devolverse a Greenlee para las pruebas dieléctricas de aislamiento a 2 años o 5000 ciclos, lo que suceda antes. Consulte la sección Servicio y mantenimiento en la página 15.

Esta herramienta no está diseñada para usarse en aplicaciones marinas.

No usar en temperaturas inferiores a -4 °F (-20 °C) o superiores a 104 °F (40 °C). Las temperaturas extremas pueden dañar la herramienta y comprometer el aislamiento o aumentar la probabilidad de lesiones personales.

No utilice esta herramienta en la lluvia, nieve ni otras condiciones climáticas potencialmente peligrosas, ya que esto puede poner en riesgo el aislamiento de la herramienta.

### Instalación

**Revise la obra de acuerdo con los requisitos de la especificación de trabajo del empleador de OSHA.**

**En la medida en que se pueda desenergizar un circuito activo, siempre se lo debe hacer antes de comenzar el trabajo.**

Siga todos los procedimientos del lugar de trabajo para controlar la energía peligrosa a fin de evitar la energización no deseada mientras trabaja. Maneje siempre la línea como si estuviera energizada, aunque no lo esté. Cuando se requiera trabajo en caliente, confirme que la tensión nominal sea inferior a 1000 V y mida el voltaje antes de comenzar el trabajo.

**Siga las instrucciones de instalación y funcionamiento para reducir el riesgo de lesiones debido a aplastamiento, electrocución y otras causas, y para evitar daños en la herramienta.**

1. Confirme la seguridad del lugar de trabajo (consulte las advertencias generales de seguridad en la pág. 4). Use la herramienta en una ubicación despejada, nivelada, estable y seca. No utilice herramientas mientras se encuentra en el agua ni en contacto con otros conductores.



## Instalación (cont.)

2. Revise el trabajo que debe realizarse y determine la herramienta correcta para la aplicación. El uso de una herramienta incorrecta para una aplicación puede causar lesiones o dañar la herramienta. (Consulte las especificaciones de esta herramienta en la pág. 8.)
3. Confirme que la herramienta y el cabezal se hayan inspeccionado como se indicó anteriormente.

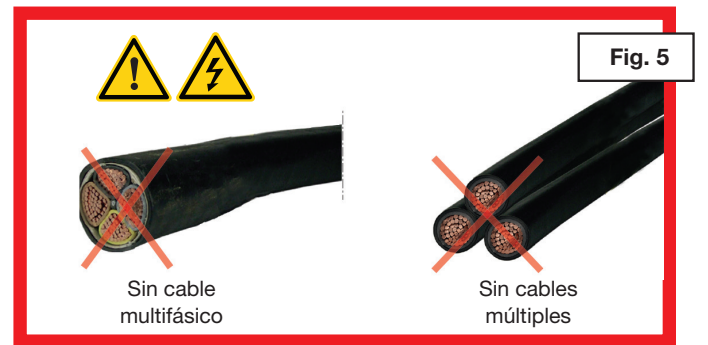
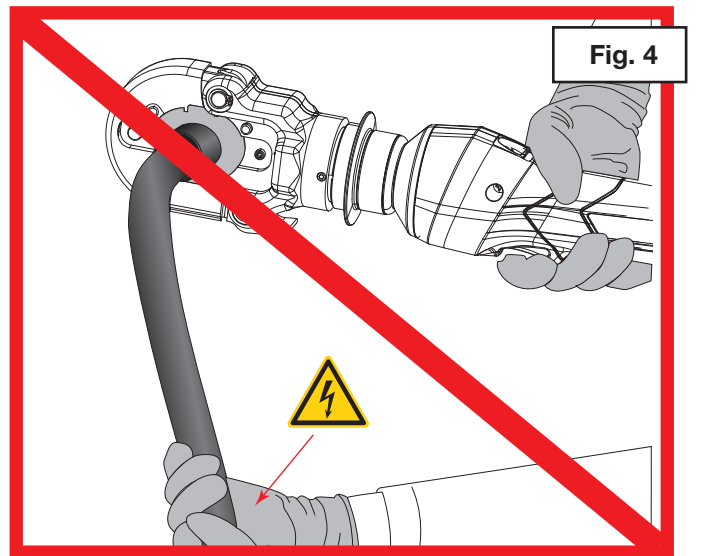
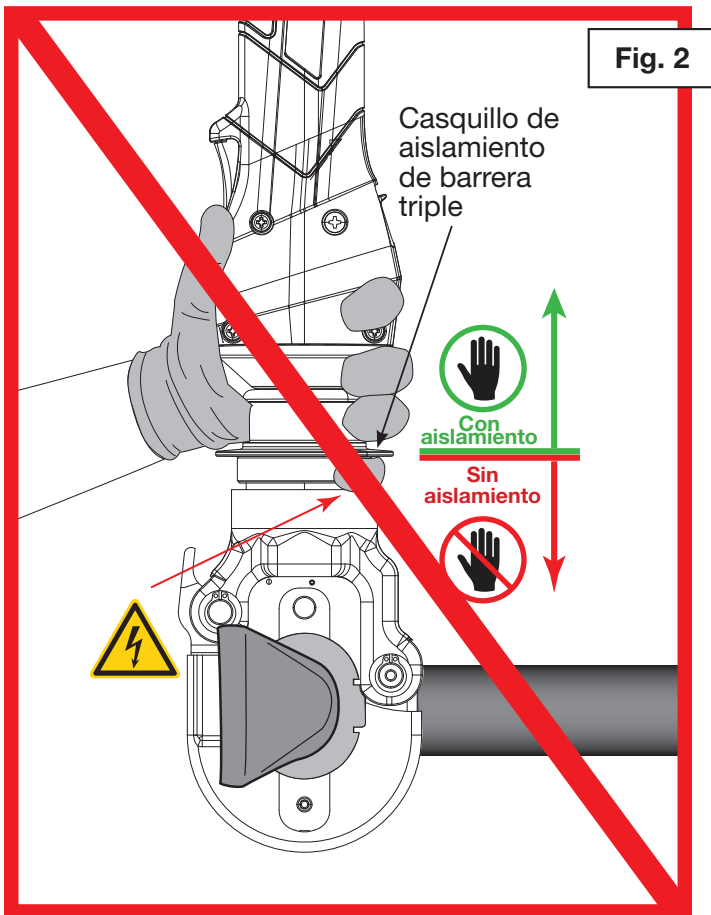
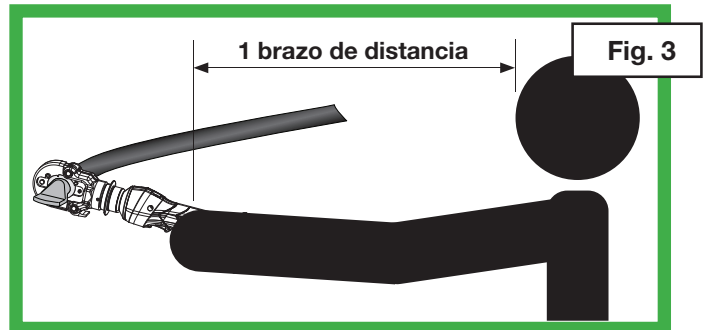
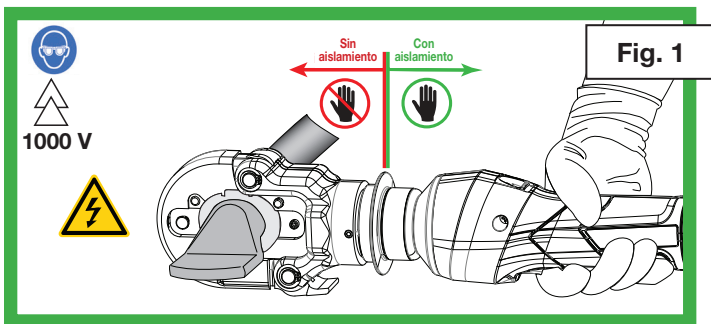
## Manipulación de la herramienta durante el uso

Para evitar el contacto con piezas energizadas y reducir el riesgo de electrocución o de arco eléctrico, y para evitar lesiones por cortes o pellizcos, sostenga la herramienta correctamente durante el uso:

1. Toque la herramienta solo en el mango aislado. (Fig. 1)
2. No toque ninguna parte de la herramienta más allá del casquillo de aislamiento de barrera triple. No agarre el

casquillo. Mantenga las manos alejadas del cabezal. (Fig. 2)

3. Mantenga la herramienta al alcance del brazo, lejos de su cuerpo. (Fig. 3)
4. No toque el cable. (Fig. 4)
5. No corte ni engarce el cable multifásico ni varios cables al mismo tiempo. (Fig. 5)





## Selección de troqueles

Los engarzados hechos en cable de cobre con los troqueles tipo KC22 de Greenlee y los conectores de cobre listados aquí están clasificados por cUL y UL.

Los engarzados hechos en cable de cobre con los troqueles tipo KA22 de Greenlee y los conectores de aluminio con doble certificación listados aquí están clasificados por cUL y UL.

Consulte la sección «Selección de conectores» para ver las marcas y los números de modelo de las orejetas apropiadas, así como las instrucciones de engarzado.

Los troqueles tipo W o tipo X pueden ser utilizados para engarzar cables 8 AWG hasta 500 kcmil de cobre y cables 8 AWG hasta 4/0 AWG de aluminio.

### Troqueles para conectores de cobre

N.º de catálogo	N.º UPC	Tamaño del cable	Código por color
KC22-8	03079	8 AWG	Rojo
KC22-6	03080	6 AWG	Azul
KC22-4	03081	4 AWG	Gris
KC22-2	03082	2 AWG	Café
KC22-1	03083	1 AWG	Verde
KC22-1/0	03084	1/0 AWG	Rosado
KC22-2/0	03085	2/0 AWG	Negro
KC22-3/0	03086	3/0 AWG	Naranja
KC22-4/0	03087	4/0 AWG	Morado
KC22-250	03088	250 kcmil	Amarillo
KC22-300	03089	300 kcmil	Blanco
KC22-350	03090	350 kcmil	Rojo
KC22-400	03091	400 kcmil	Azul
KC22-500	03092	500 kcmil	Café
KC22-600	03093	600 kcmil	Verde

### Troqueles para conectores de aluminio con doble certificación

N.º de catálogo	N.º UPC	Tamaño del cable
KA22-8	06744	8 AWG
KA22-6	06745	6 AWG
KA22-4	06746	4 AWG
KA22-2	06747	2 AWG
KA22-1	06749	1 AWG
KA22-1/0	06750	1/0 AWG
KA22-2/0	06751	2/0 AWG
KA22-3/0	06752	3/0 AWG
KA22-4/0	06753	4/0 AWG
KA22-250	06754	250 kcmil
KA22-300	06755	300 kcmil
KA22-350	06756	350 kcmil

## Selección de conectores

**Rango de la herramienta:** Cobre — 8 AWG a 600 kcmil; Aluminio con doble certificación — 8 AWG a 350 kcmil

Cuando se utiliza esta herramienta con troqueles tipo KC22, está clasificada por cUL y UL para uso con las siguientes marcas de conectores:

Tipo de conector	Tipo de barril	Anderson™	Blackburn®	Burndy®	ILSCO®	Panduit®	T&B®	Penn-Union™	Cantidad de engarzados*
Empalme de cobre	Corto	VHSS	CSP	YS-L	CT	SCSS/SCS	54504-54520	BCU	A
	Largo	VHS	CU	YS	CTL	SCL/SCH	54804-54820	BBCU	B
Orejetas de cobre	Corto	VHCS	CTL-2/CTL	YA-2LN/YA-L/YA-2L YA/YA-L-TC/YA-L-2TC	CSW CRA/CRB	LCAS/LCA LCD	54104-54120 54204-54218	BLU	A
	Largo	VHCL	CTL-L/LCN	YA-2N	CLN/CLW CRA-L/CRB-L CRA-2L/CRB-2L	LCB/LCC	54930BE-54920BE 54850BE-54878BE	BBLU	B

Cuando se utiliza esta herramienta con troqueles tipo KA22, está clasificada por cUL y UL para uso con las siguientes marcas de conectores:

Tipo de conector	Tipo de barril	Anderson™	Blackburn®	Burndy®	ILSCO®	Panduit®	T&B®	Penn-Union™	Cantidad de engarzados*
Empalme de aluminio con doble certificación	—	VACS	ASP	YS-A	AS ASN	SA**	60501-60565	PIK	C
Orejetas de aluminio con doble certificación	—	VACL	ATL	YA-A YA-ATN	ACL/ACN 2ACL/2ACN ALNS/ALNN/ALND	LAA/LAB**	60101-60166 60230-60267	BLUA	

\* Efectúe la cantidad de engarzados especificada en la última columna en lugar de la cantidad proporcionada por el fabricante del conector:

A — 8 a 1/0 AWG: 1 engarzado  
2/0 AWG a 600 kcmil: 2 engarzados

B — 8 a 1/0 AWG: 2 engarzados  
2/0 a 3/0 AWG: 3 engarzados  
4/0 AWG a 600 kcmil:  
4 engarzados

C — 8 a 2 AWG: 2 engarzados  
1 a 3/0 AWG: 3 engarzados  
4/0 AWG a 350 kcmil:  
4 engarzados

\*\* 6 AWG a 350 kcmil



## Instalación del troquel

### Instalación de troqueles tipo K22, KA22 y KC22

1. Presione el botón de liberación del troquel.
2. Deslice el troquel en el cabezal de engarzado hasta que encaje en su sitio.
3. Coloque adecuadamente el segundo troquel. Repita el paso 2.

### Instalación de troqueles tipo W

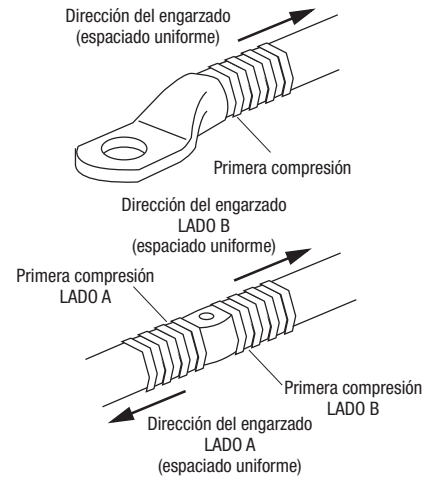
1. Presione el botón de liberación del troquel.
2. Deslice el adaptador del troquel (número de pieza de Greenlee 50042920) en el cabezal de engarzado hasta que encaje en su sitio.

*Nota: Los adaptadores de troquel tienen el perfil de troquel «D<sub>3</sub>». No es necesario ningún otro troquel si el conector que se va a engarzar requiere un troquel «D<sub>3</sub>».*

3. Repita la operación para el otro adaptador.
4. Presione la pestaña de bloqueo y abra el cabezal de engarzado.
5. Presione el seguro para troqueles tipo W y deslice el troquel tipo W hasta su sitio.
6. Repita el paso 5 para colocar adecuadamente el segundo troquel.

## Preparación del cable

Siga las instrucciones del fabricante de las orejetas para determinar la longitud adecuada del pelado del cable.



## Funcionamiento

1. Use los equipos de protección personal adecuados, incluida la protección ocular y para rostro, cabeza y brazos, y otros equipos de protección personal, según lo requiera su empleador y/o sea adecuado para el trabajo.
2. Presione la pestaña de bloqueo y abra el cabezal de engarzado.
3. Introduzca el conector, adecuadamente preparado, en el cabezal de engarzado.
4. Cierre el cabezal de engarzado.
5. Asegúrese que haya la distancia de un brazo entre la herramienta y el usuario (Fig. 3, página 11) y, a continuación, tire del gatillo para realizar el engarzado.

Nota: El gatillo activa la luz de funcionamiento LED blanca, que permanece encendida durante 10 segundos después de soltarlo.

6. Mantenga el gatillo apretado hasta que la herramienta de engarzado consiga alcanzar la presión necesaria, lo que vendrá acompañado de un sonido audible.

7. El pistón vuelve automáticamente a la posición inicial. El proceso puede ser interrumpido en cualquier momento al soltar el gatillo. Al actuar en el botón retráctil, el pistón volverá a su posición inicial. Si no oye el sonido de la válvula de seguridad o el pistón no se repliega automáticamente, eso significa que el engarzado no se ha completado con éxito.

Nota: No utilice esta herramienta de forma continua. Tras 100 ciclos, deje que la herramienta se enfríe durante 15 minutos. No gire la pieza de trabajo ni la herramienta durante la operación. Podrían producirse fallas.

*\*Tras completar el último engarzado con los troqueles tipo W en un conector de aluminio, limpie el exceso de inhibidor de óxido.*

## Transporte de la herramienta



El anillo de transporte y la correa de transporte son solo para transportar. Nunca cuelgue ni suspenda la herramienta por la correa.

## Pantalla LCD

Esta herramienta tiene una pantalla LCD que muestra información sobre la herramienta. Para encender la pantalla, inserte la batería y toque el gatillo.

En el modo de funcionamiento normal, repase las distintas pantallas con los botones izquierdo y derecho a ambos lados de la pantalla.

La pantalla LCD también mostrará códigos de error en caso de funcionamiento anormal. Consulte la pág. 17 para la solución de problemas de código de error.

Pantalla	Pantalla LCD	Información mostrada
0	 <b>GREENLEE</b>	
1	P  P PSI	Estado de Bluetooth®, carga de la batería, presión de corriente, presión máx. Mantenga pulsados ambos botones para cambiar las unidades, seleccione con el botón derecho y confirme con el avance lento de la herramienta.
2	FW: INFO 2.0 123456AB001	Versión de firmware, número de serie
3	CURRENT USER : 1 SINGLE CLICK MRS+	Usuario actual. Mantenga pulsados ambos botones para cambiar el usuario y alternar entre la operación de un solo clic y doble clic. Cambie el usuario y la operación con el botón derecho y confirme la selección pulsando el gatillo. La selección de un solo clic permitirá al usuario operar la herramienta con un solo toque del gatillo. Si selecciona doble clic, será necesario que el usuario presione el gatillo dos veces en medio segundo para utilizar la herramienta.
4	NEXT SERVICE 5000 OPS 730 DAYS	Ciclos y días hasta el próximo servicio.
5	TOTAL: T= 0.0h Q= 0.0Ah n= 0	Horas de funcionamiento transcurridas (T), Ah utilizado (Q) y número de ciclos (n) desde la fecha de fabricación.

## Aplicación Bluetooth/I-Press

Esta herramienta tiene funcionalidad Bluetooth para comunicarse con la aplicación Greenlee i-press en un dispositivo inteligente.

1. Instale la aplicación "I-press Klauke Software Solutions" desde App Store o Google Play. Abra la aplicación en su dispositivo inteligente y seleccione la opción Greenlee.
2. Encienda la función Bluetooth en su dispositivo inteligente y active la herramienta para establecer una conexión.
3. La aplicación le permitirá crear proyectos, personalizar su herramienta y mostrar lecturas de presión de la herramienta, carga de la batería, la última fecha de mantenimiento y mucho más. Las instrucciones de uso de la aplicación se muestran en la propia aplicación i-press; también puede solicitar el folleto MA6864 a cualquier distribuidor de Greenlee.

## Almacenamiento y limpieza

Para evitar daños en la herramienta o el compromiso de las barreras de aislamiento de la herramienta, limpie la carcasa con un paño húmedo y detergente suave después de cada uso. Seque y retire completamente el pistón. Coloque la herramienta en su maletín y guárdela en un lugar seco y fresco. No utilice la correa de transporte para colgar o suspender la herramienta. Evite dejar caer la herramienta.

Si es necesario, recargue las baterías. Consulte las instrucciones suministradas con el cargador de la batería. Almacene la herramienta en la carcasa protectora adecuada proporcionada por el fabricante.

Guarde este manual con la herramienta.

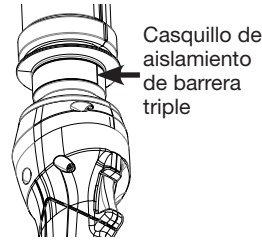
## Servicio y mantenimiento

Si se observa o se sospecha que hay daños en la carcasa o en el casquillo de aislamiento de barrera triple, o si hay una fuga de aceite hidráulico, no la utilice. La seguridad de la herramienta podría verse comprometida. Devuelva la herramienta inmediatamente a Greenlee, llame al 800-435-0786 para el servicio de garantía o la reparación.

Se requiere un mantenimiento adecuado de la herramienta, incluido el reemplazo periódico de los componentes del casquillo de aislamiento de barrera triple de la herramienta.

En 2 años o 5000 ciclos, lo que suceda antes, debe completarse el servicio de fábrica de la herramienta. El servicio de fábrica incluye la sustitución del aceite hidráulico dieléctrico de la herramienta, la sustitución de los componentes del casquillo de aislamiento de barrera triple de la herramienta y las pruebas dieléctricas de la herramienta por técnicos capacitados, así como la revisión general de la función mecánica.

**Los componentes del casquillo de aislamiento de barrera triple de la herramienta deben reemplazarse cada dos**



Casquillo de aislamiento de barrera triple

**años.** El incumplimiento de la programación de servicio de fábrica requerida podría comprometer las propiedades aislantes de la herramienta y resultar en lesiones graves.

La herramienta alertará cuando se acerque a 2 años o 5000 ciclos (lo que suceda antes), y volverá a alertar

cuando se requiera el servicio de fábrica. Cuando se cumpla la fecha del servicio de fábrica o esté cerca de ella, póngase en contacto con el servicio de atención al cliente de Greenlee. El envío acelerado está disponible. Después de ponerse en contacto con el Servicio al cliente de Greenlee, la herramienta debe enviarse al Centro de servicio de fábrica de Greenlee, 4411 Boeing Dr., Rockford, IL 61109.

Utilice esta programación para ayudar a realizar un seguimiento de cuándo debe realizar el servicio de fábrica de su herramienta.

Calendario de mantenimiento de rutina	Fecha de mantenimiento	Notas
Fecha puesta en servicio		
Fecha del primer mantenimiento de fábrica		
Fecha del segundo mantenimiento de fábrica		
Fecha del tercer mantenimiento de fábrica		
Fecha del cuarto mantenimiento de fábrica		
Fecha del quinto mantenimiento de fábrica		
Fecha del sexto mantenimiento de fábrica		
Fecha del séptimo mantenimiento de fábrica		
Fecha del octavo mantenimiento de fábrica		
Fecha del noveno mantenimiento de fábrica		
Fecha del décimo mantenimiento de fábrica		
Fecha del undécimo mantenimiento de fábrica		

### **⚠ ADVERTENCIA**

No realice ningún tipo de servicio o mantenimiento diferente al descrito en este manual. Podrían producirse lesiones o daños en la herramienta.

### **⚠ ADVERTENCIA**

Técnicos de fábrica de Greenlee deben reemplazar los componentes de aislamiento de barrera triple cada dos años. Si no se reemplazan los componentes de aislamiento de barrera triple, pueden producirse lesiones o daños.



## Solución de problemas

### Antes de comenzar

1. Asegúrese que la batería esté cargada. Vuelva a comprobar la batería tras unos minutos para asegurarse de que la batería no está perdiendo su carga.
2. Utilice un limpiador para contactos **no inflamable** o un borrador de lápiz para limpiar los contactos eléctricos en la batería y en la herramienta.
3. Vuelva a instalar la batería y verifique la herramienta nuevamente.

Problema	Causa posible	Solución posible
La herramienta no funciona.	Suciedad, contaminantes, etc. en la zona del pistón retráctil de la herramienta.	Limpié la herramienta.
	Los componentes de la herramienta están gastados o dañados.	Para consultas sobre servicio de garantía o reparaciones, póngase en contacto con el servicio de atención al cliente de Greenlee al 800-435-0786.
El motor no funciona.	Batería con poca carga o descargada.	Pruebe con una batería que sí tenga carga. La batería que no funciona puede estar descargada o podría haber llegado al final de su vida esperada de funcionamiento.
	Piezas rotas.	Para consultas sobre servicio de garantía o reparaciones, póngase en contacto con el servicio de atención al cliente de Greenlee al 800-435-0786.
El motor funciona pero la herramienta no completa un ciclo.	Bajo nivel de aceite.	Para consultas sobre servicio de garantía o reparaciones, póngase en contacto con el servicio de atención al cliente de Greenlee al 800-435-0786.
	Aire en el sistema hidráulico.	Tire del gatillo y oprima el botón de retracción simultáneamente. Déjela en funcionamiento durante 10 segundos y, a continuación, vuelva a intentar el ciclo. Si el problema no se soluciona, póngase en contacto con el servicio de atención al cliente de Greenlee al 800-435-0786 para consultas sobre servicio de garantía o reparaciones.
	Aceite frío.	Tire del gatillo y oprima el botón de retracción simultáneamente para calentar el aceite. Guarde la herramienta en un área que esté más caliente.
La herramienta pierde aceite.	Sello dañado.	Para consultas sobre servicio de garantía o reparaciones, póngase en contacto con el servicio de atención al cliente de Greenlee al 800-435-0786.





## Solución de problemas (cont.)

Si surgen ciertos problemas con la herramienta, aparece un código de error en la pantalla LCD (consulte la pág. 14).

Código de error	Significado	Procedimiento
1	Fusible de sobrecorriente	Realizar mantenimiento
2	Comparador de sobrecorriente	Realizar mantenimiento
3	Placa de circuito sobrecalentada	Enfriar la herramienta
4	Batería sobrecalentada	Enfriar la batería
5	Batería vacía; se detiene la operación	Cargar la batería
6	Engarzado defectuoso; ciclo completo	Realizar mantenimiento
7	Engarzado defectuoso; ciclo incompleto	Realizar mantenimiento
8	Batería baja	Cargar la batería
9	Batería vacía	Cargar la batería
10	Batería de reloj en tiempo real baja	Realizar mantenimiento
11	Herramienta desactivada	Realizar mantenimiento
12	Servicio necesario	Realizar mantenimiento
13	Reloj en tiempo real no encontrado	1. Volver a insertar la batería 2. Realizar mantenimiento
14	Unidad Bluetooth® no encontrada	1. Volver a insertar la batería 2. Realizar mantenimiento
15	[No utilizado]	
16	Sensor de presión no encontrado	Realizar mantenimiento
17	Presión de ráfaga excedida	Realizar mantenimiento
18	Temperatura de la batería demasiado baja	Calentar la batería
19	Pantalla parpadeante, se superaron los 4750 ciclos	Realizar mantenimiento

## Indicador LED (rojo)

La herramienta viene equipada con una placa de circuito especial que incorpora varias funciones importantes para informarle al usuario sobre la condición actual de la unidad. El indicador LED realiza las siguientes señales:

Qué sucede	Señal	Qué significa	Qué hacer
La herramienta <b>no</b> funciona y la luz permanece constante durante 20 segundos cuando se suelta el gatillo		Batería con poca carga	Reemplazar o cargar la batería
La herramienta se detiene y la luz permanece constante durante 20 segundos cuando se suelta el gatillo			
La herramienta se detiene y la luz se enciende de forma intermitente durante 20 segundos cuando se suelta el gatillo		El motor ha superado los 20 A durante el ciclo El circuito se ha sobrecalentado	Dejar enfriar la herramienta
Luz que parpadea durante 20 segundos al final del ciclo	y advertencia audible	Indica que se superaron 4750 ciclos o 21 meses	Enviar la herramienta a mantenimiento

Nota: La herramienta indicará cuando se acerque el momento de la recertificación. A partir de 4750 ciclos o 21 meses (lo que suceda primero), el LED rojo y el LED de funcionamiento parpadearán, sonará una advertencia audible y el LED mostrará el mensaje SERVICE NECESSARY (Se requiere mantenimiento) durante 20 segundos después de cada ciclo. Después de 5000 ciclos o 2 años, la herramienta no funcionará a menos que la batería se extraiga y vuelva a instalar. Solo es posible un ciclo cada vez que se reinstala la batería.



**Modelo X — ID de FCC: RFR-S50;  
ID de IC: 4957A-S50**

**Requisitos de EE. UU.:**

Parte responsable: Greenlee Tools, Inc.  
Rockford, IL 61109, EE. UU.

*Aviso: Este equipo ha sido sometido a prueba y se ha determinado que cumple con los límites para un dispositivo digital de Clase A, de acuerdo con la Parte 15 de las Normas de la FCC. Estos límites están diseñados para brindar una protección razonable contra interferencias perjudiciales cuando el equipo se opera en un ambiente comercial. Este equipo genera, utiliza y puede irradiar energía de radiofrecuencia y, si no se instala y utiliza de acuerdo con el manual de instrucciones, puede ocasionar interferencias perjudiciales a las radiocomunicaciones. Es probable que el uso de este equipo en una zona residencial ocasione interferencias perjudiciales, en cuyo caso, será la responsabilidad del usuario corregir la interferencia por cuenta propia.*

*Este dispositivo cumple con los requisitos de exención de la prueba SAR de exposición a RF para dispositivos portátiles, si se mantiene una distancia de separación mínima. Sin embargo, el dispositivo debe utilizarse de tal manera que se minimice la posibilidad de contacto humano durante la operación normal.*

**Requisitos de Canadá:**

*Este dispositivo cumple con los RSS exentos de licencia de Industry Canada. Su funcionamiento queda sujeto a las siguientes dos condiciones:*

- (1) *Este dispositivo no puede causar interferencia; y*
- (2) *Este dispositivo debe aceptar cualquier interferencia, incluida la interferencia que puede causar funcionamiento no deseado del dispositivo.*

**Garantía**

Las herramientas aisladas modelo "VX" están cubiertas por la garantía limitada estándar de Greenlee por un período de 7 años. Esta garantía limitada excluye la cobertura para el casquillo de aislamiento de barrera triple y los componentes.

El casquillo de aislamiento de barrera triple y los componentes están cubiertos por la garantía limitada estándar de Greenlee por un periodo de 2 años.

Para consultar la garantía limitada estándar de Greenlee, visite [www.greenlee.com](http://www.greenlee.com).

Para reclamaciones de garantía y/o mantenimiento de fábrica, póngase en contacto con el servicio de atención al cliente de Greenlee por teléfono al 800-435-0786.

Dirección de envío:

Greenlee Factory Service Center  
4411 Boeing Dr., Rockford, IL 61109

*Recordatorio: La reclamación de garantía es nula si el sello de garantía de la herramienta está roto.*

**⚠ ADVERTENCIA**

No realice ningún tipo de servicio o mantenimiento diferente al descrito en este manual. Podrían producirse lesiones o daños en la herramienta.

**⚠ ADVERTENCIA**

Los componentes de aislamiento de barrera triple deben reemplazarse en la fábrica cada dos años. No reemplazarlos podría tener como consecuencia lesiones o daños.





**GREENLEE®**

**Engarzadora con aislamiento y alimentada con batería Gator®**

---



**GREENLEE®**

4455 Boeing Drive • Rockford, IL 61109-2988 • EE. UU. • 815-397-7070  
©2019 Greenlee Tools, Inc. • Una compañía ISO 9001

**EE. UU.** Tel: 800-435-0786  
Fax: 800-451-2632

**Canadá** Tel: 800-435-0786  
Fax: 800-524-2853

**Internacional** Tel: +1-815-397-7070  
Fax: +1-815-397-9247

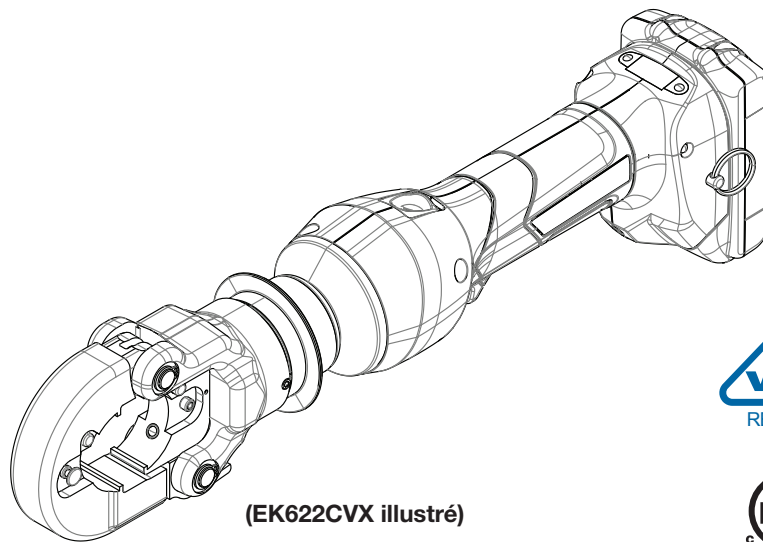
[www.greenlee.com](http://www.greenlee.com)

# MODE D'EMPLOI



Notez le numéro de série ici

(Voir page 14 pour les instructions sur l'écran ACL.)



(EK622CVX illustré)



## Outil de sertissage isolé à batterie GATOR®



**Veillez lire et comprendre** toutes les instructions et tous les renseignements de sécurité du présent manuel avant d'utiliser cet outil.

**CONSERVER LE PRÉSENT MANUEL**

## Table des matières

Formulaire d'enregistrement du numéro de série de la machine .....	1	Écran ACL .....	14
Table des matières .....	2	Bluetooth.....	14
Symboles de sécurité.....	3	Stockage et nettoyage.....	15
Avertissements généraux concernant les outils électriques		Entretien et maintenance.....	15
Sécurité dans la zone de travail .....	4	Dépannage .....	16-17
Sécurité en matière d'électricité.....	4	Voyant à DEL (rouge).....	17
Sécurité personnelle.....	4	Certification FCC.....	18
Utilisation et entretien de l'outil électrique.....	4-5	Certification IC.....	18
Utilisation et entretien de l'outil à batterie.....	5	Informations sur la garantie.....	18
Réparations.....	5		
Avertissements spéciaux .....	5		
Informations de sécurité propres à l'outil			
Dangers liés au sertissage .....	6		
Dangers électriques .....	6		
Réparations et modifications .....	6		
Sécurité liée à la batterie.....	6		
Sécurité du chargeur.....	6		
Description .....	7		
Caractéristiques importantes .....	7		
Identification.....	8		
Caractéristiques .....	8		
Emplacement de l'étiquetage.....	9		
Fonctionnement de l'outil			
Formation et qualifications.....	10		
Inspection avant utilisation.....	10		
Préparation.....	10-11		
Manipulation de l'outil lors de l'utilisation .....	11		
Choix des matrices .....	12		
Choix des connecteurs .....	12		
Installation des matrices .....	13		
Fonctionnement .....	14		
Transport de l'outil .....	14		

**Ne pas éliminer ni jeter ce produit!**

Pour obtenir des renseignements sur le recyclage, rendez-vous sur le site [www.greenlee.com](http://www.greenlee.com).

Des manuels de remplacement peuvent être obtenus gratuitement sur demande sur le site [www.greenlee.com](http://www.greenlee.com).

GATOR est une marque déposée de Greenlee Tools, Inc.  
Bluetooth est une marque déposée de Bluetooth SIG, Inc.  
MAKITA est une marque déposée de Makita Corporation.  
Blackburn est une marque déposée de Thomas & Betts International.  
Anderson est une marque de commerce de Hubbell Corp.

Burndy est une marque déposée de Hubbell Corp.  
ILSCO est une marque déposée d'ILSCO Corp.  
Panduit est une marque déposée de Panduit Corp.  
T&B est une marque déposée de Thomas & Betts International.  
Penn-Union est une marque déposée de Penn-Union Corp.

## Symboles de sécurité

Dans le présent mode d'emploi et sur le produit, des symboles de sécurité et des mots indicateurs sont utilisés pour communiquer des informations de sécurité importantes. L'objet de la présente section est d'améliorer la compréhension de ces mots et symboles indicateurs.



Il s'agit du symbole d'avertissement. Il est utilisé pour vous mettre en garde contre les risques potentiels de blessures corporelles. Respecter tous les messages de sécurité qui suivent ce symbole pour éviter d'éventuelles blessures, voire le décès.

### **DANGER**

DANGER indique une situation dangereuse qui, si elle n'est pas évitée, entraînera des blessures graves, voire mortelles.

### **AVERTISSEMENT**

AVERTISSEMENT indique une situation dangereuse qui, si elle n'est pas évitée, peut entraîner des blessures graves, voire mortelles.



Ce symbole signifie qu'il faut lire attentivement le manuel de l'opérateur avant d'utiliser l'équipement. Le manuel de l'opérateur contient des informations importantes sur la sécurité et le bon fonctionnement de l'équipement.



Ce symbole signifie qu'il faut toujours porter des lunettes de sécurité à écrans latéraux ou des lunettes de protection lors de la manipulation ou de l'utilisation de cet équipement afin de réduire le risque de blessures oculaires.



Ce symbole indique que les mains, les doigts ou d'autres parties du corps peuvent être coupés ou gravement blessés.



Ce symbole indique le risque de choc électrique.



Ce symbole indique le risque d'éclat d'arc électrique.



Ce symbole indique qu'une zone ne doit pas être touchée. Cette zone n'est pas isolée.



Ce symbole indique qu'une zone peut être touchée. Cette zone est isolée.

## AVERTISSEMENTS GÉNÉRAUX CONCERNANT LES OUTILS ÉLECTRIQUES\*

### AVERTISSEMENT

**Lire tous les avertissements de sécurité, les instructions, les illustrations et les spécifications fournis avec cet outil électrique.** Veiller à respecter toutes les instructions ci-dessous pour écarter les risques de décharge électrique, d'incendie et de blessure grave.

\*Le texte utilisé dans la section Avertissements généraux concernant les outils électriques de ce manuel est requis par la norme EN 62841-1 applicable selon laquelle cet outil est testé. Cette section présente les pratiques générales de sécurité pour de nombreux types d'outils électriques différents. Toutes les précautions ne s'appliquent pas à chaque outil, d'autres peuvent ne pas s'appliquer à cet outil.

### CONSERVER TOUS LES AVERTISSEMENTS ET TOUTES LES INSTRUCTIONS POUR CONSULTATION ULTÉRIEURE.

Dans les avertissements, le terme « outil électrique » fait référence à un outil électrique fonctionnant sur le courant secteur (à fil) ou à un outil électrique à batterie (sans fil).

## Sécurité dans la zone de travail

**Garder la zone de travail propre et bien éclairée.** Les endroits sombres et encombrés favorisent les accidents.

**Ne pas utiliser les outils électriques dans des atmosphères explosives, notamment en présence de liquides, gaz ou poussières inflammables.** Les outils électriques produisent des étincelles susceptibles d'enflammer les poussières ou les vapeurs.

**Tenir les enfants et autres personnes présentes à l'écart durant l'utilisation d'un outil électrique.** Les distractions peuvent provoquer une perte de contrôle.

## Sécurité en matière d'électricité

**La fiche de l'outil électrique doit correspondre au type de prise. Ne jamais modifier la fiche d'une quelconque manière. Ne pas utiliser de fiche d'adaptation sur des outils électriques à fiche de terre.** L'utilisation de la fiche d'origine et d'une prise appropriée contribue à réduire le risque de décharge électrique.

**Éviter tout contact corporel avec des surfaces reliées à la masse ou à la terre, notamment les tuyaux, radiateurs, cuisinières et réfrigérateurs.** La mise à la terre du corps accroît le risque de décharge électrique.

**Ne pas exposer les outils électriques à la pluie ou à l'humidité.** L'infiltration d'eau dans un outil électrique accroît le risque de décharge électrique.

**Ne pas maltraiter le cordon. Ne jamais se servir du cordon pour porter, tirer ou débrancher l'outil électrique. Tenir le cordon à l'écart de sources de chaleur, d'huile, d'arêtes coupantes ou de pièces en mouvement.** Un cordon endommagé ou emmêlé accroît le risque de décharge électrique.

**Lors de l'utilisation d'un outil électrique à l'extérieur, utiliser un cordon de rallonge prévu pour l'extérieur.** L'emploi d'une rallonge conçue pour l'extérieur réduit le risque de décharge électrique.

**Si un outil électrique doit absolument être utilisé dans un endroit humide, utiliser une alimentation électrique protégée par DÉTECTEUR DE FUITE À LA TERRE (DFT).** L'utilisation d'un DFT réduit le risque de décharge électrique.

## Sécurité personnelle

**Faire preuve de vigilance, de concentration et de bon sens lors de l'utilisation d'un outil électrique. Ne pas utiliser un outil électrique si l'on est fatigué ou sous l'emprise de drogues, d'alcool ou de médicaments.** Un instant d'inattention durant l'utilisation d'un outil électrique peut entraîner des blessures graves.

**Utiliser un équipement de protection individuelle. Toujours porter une protection oculaire.** Les équipements protecteurs tels qu'un masque antipoussière, des chaussures de sécurité antidérapantes, un casque ou une protection auditive utilisés dans des conditions appropriées réduisent les risques de blessure.

**Éviter tout démarrage intempestif. S'assurer que l'interrupteur est en position d'arrêt avant de raccorder l'outil à une prise de courant ou à une BATTERIE, de le saisir ou de le transporter.** Le fait de porter un outil électrique avec le doigt sur l'interrupteur ou de mettre sous tension un outil électrique avec l'interrupteur en position de marche favorise les accidents.

**Veiller à enlever toute clé ou tout outil de réglage avant de mettre l'outil électrique en marche.** Une clé ou un outil laissés attachés à une pièce rotative de l'outil électrique peuvent entraîner des blessures corporelles.

**Ne pas tendre le bras trop loin. Se tenir bien campé et en équilibre.** Cela permet un meilleur contrôle de l'outil électrique en cas de situations inattendues.

**Porter une tenue appropriée. Ne pas porter de vêtements amples ni de bijoux. Tenir les cheveux, les vêtements et les gants à l'écart des pièces mobiles.** Les vêtements amples, les bijoux et les cheveux longs peuvent se prendre dans les pièces mobiles.

**Si des mécanismes sont prévus pour le raccordement à des équipements d'extraction et de collecte de poussière, s'assurer qu'ils sont raccordés et utilisés comme il se doit.** L'utilisation de captation des poussières peut réduire les dangers liés à la poussière.

**Ne pas laisser la familiarité acquise par une utilisation fréquente de l'outil entraîner une baisse de la vigilance ou le non-respect des principes de sécurité.** Un geste imprudent peut entraîner des blessures graves en une fraction de seconde.

## Utilisation et entretien de l'outil électrique

**Ne pas forcer sur l'outil électrique. Utiliser l'outil électrique adapté au travail à effectuer.** L'outil électrique adapté assure un travail plus correct et plus sûr, au régime pour lequel il a été conçu.

**Ne pas utiliser l'outil électrique si l'interrupteur ne le met pas en marche et à l'arrêt.** Tout outil électrique qui ne peut pas être commandé au moyen de l'interrupteur est dangereux et doit être réparé.

**Débrancher la fiche de la source de courant ou la BATTERIE, si amovible, de l'outil électrique avant d'effectuer des ajustements, de changer d'accessoire ou de ranger l'outil électrique.** Ces mesures préventives réduisent le risque de démarrage accidentel de l'outil électrique.

**Ranger les outils électriques inutilisés hors de la portée des enfants et interdire l'utilisation aux personnes non familiarisées avec l'outil électrique ou avec ces instructions.** Les outils électriques sont dangereux dans les mains d'utilisateurs inexpérimentés.

**Entretenir les outils électriques et les accessoires. Vérifier que l'outil électrique ne présente pas de pièces mobiles grippées ou désaxées, de pièces cassées ou d'autres problèmes susceptibles d'entraver son bon fonctionnement. En cas de dommage, faire réparer l'outil électrique avant de l'utiliser.** De nombreux accidents sont causés par des outils électriques mal entretenus.

**Garder les outils de coupe propres et affûtés.** Les outils de coupe bien entretenus et aux arêtes tranchantes sont moins susceptibles de se bloquer et sont plus faciles à maîtriser.

**Utiliser l'outil électrique, les accessoires, les outils de coupe, etc., conformément à ces instructions, en tenant compte des conditions de travail et de la tâche à effectuer.** L'utilisation de l'outil électrique pour des travaux autres que ceux prévus peut donner lieu à des situations dangereuses.

**Garder les poignées et les surfaces de prise sèches, propres et sans traces d'huile et de graisse.** Les poignées ou les surfaces de prise glissantes ne permettent pas une manipulation et un contrôle sécuritaires de l'outil lors de situations inattendues.

## Utilisation et entretien de l'outil à batterie

**Recharger uniquement avec le chargeur indiqué par le fabricant.** Un chargeur prévu pour un type de BATTERIE donné peut présenter un risque d'incendie s'il est utilisé avec une BATTERIE différente.

**Utiliser l'outil électrique exclusivement avec les modèles de BATTERIE indiqués.** L'utilisation de BATTERIES différentes peut présenter un risque de blessure et d'incendie.

**Lorsque la BATTERIE n'est pas utilisée, la garder à l'écart de petits objets métalliques, tels que trombones, pièces de monnaie, clés, clous, vis et autres, susceptibles de créer un contact entre deux bornes.** Un court-circuit entre des bornes de BATTERIE peut provoquer des brûlures ou un incendie.

**Dans des conditions d'utilisation abusive, du liquide peut être éjecté de la BATTERIE; éviter de le toucher. En cas de contact accidentel, rincer à l'eau. En cas de contact du liquide avec les yeux, consulter en outre un médecin.** Le liquide éjecté par la BATTERIE peut provoquer une irritation ou des brûlures.

**Ne pas utiliser une BATTERIE ou un outil endommagé ou modifié.** Les batteries endommagées ou modifiées peuvent présenter un comportement imprévisible, entraînant des incendies, des EXPLOSIONS ou des risques de blessures.

**Ne pas exposer une BATTERIE ou un outil à un feu ou à une température excessive.** Une exposition au feu ou à une température supérieure à 130 °C (265 °F) peut provoquer une explosion.

**Suivre toutes les instructions de charge et ne pas charger la BATTERIE ou l'outil à une température en dehors de la plage spécifiée dans les instructions.** Une charge incorrecte ou à des températures en dehors de la plage spécifiée risque d'endommager la batterie et d'augmenter le risque d'incendie.

## Réparations

**Confier l'outil électrique à un réparateur qualifié utilisant exclusivement des pièces de rechange identiques.** Cela préserve la sécurité de l'outil électrique.

**Ne jamais réparer les BATTERIES endommagées.** La réparation des BATTERIES ne doit être effectuée que par le fabricant ou des prestataires agréés.

## Avertissements spéciaux

**Les outils hydrauliques peuvent être lourds et nécessiter une assistance supplémentaire.** Ne jamais surestimer votre capacité à gérer l'outil.



## INFORMATIONS DE SÉCURITÉ PROPRES À L'OUTIL

### **AVERTISSEMENT**

Cette section contient des informations de sécurité importantes propres à cet outil.

Lire attentivement ces précautions avant d'utiliser l'outil pour réduire le risque de choc électrique ou de blessures corporelles graves.

Une utilisation ou un entretien inappropriés présentent un risque de blessures graves ou mortelles par choc électrique, éclat d'arc électrique, brûlures thermiques, coupures, écrasements et autres risques.

#### **CONSERVER LES PRÉSENTES INSTRUCTIONS!**

Un compartiment dans la mallette de transport de l'outil est inclus pour conserver ce manuel avec l'outil à consulter avant chaque opération.

## Dangers liés au sertissage




**Éloigner les doigts et les mains de la tête de l'outil au cours du cycle de fonctionnement.** Les doigts et les mains peuvent être broyés, fracturés ou amputés s'ils sont pris dans la tête de l'outil ou entre la tête de l'outil et d'autres objets.

**Une personne doit contrôler le processus de travail et le fonctionnement de la machine.** Seul l'opérateur doit se trouver dans la zone lorsque l'outil est en cours de fonctionnement. Cela permet de réduire les risques de blessures.

**De grandes forces sont générées lors de l'utilisation et peuvent briser ou projeter des pièces et causer des blessures. Éloigner toutes les personnes non indispensables de la zone de travail.** Rester à l'écart pendant le fonctionnement et porter l'équipement de protection approprié, y compris une protection oculaire.

## Dangers électriques



 Cet outil est isolé et fournit une barrière secondaire de protection contre l'isolation jusqu'à 1 000 volts. Même avec cet outil isolé, vous devez toujours porter les EPI appropriés assurant une protection principale contre les chocs électriques et les éclats d'arc électrique.

Suivre toutes les procédures de travail appropriées et requises et porter tout l'équipement de protection individuelle requis lorsqu'on travaille sur un chantier à proximité de lignes électriques sous tension. Si vous n'êtes pas formé et familiarisé avec les exigences en matière de chantier et d'EPI, n'utilisez pas cet outil.

## Réparations et modifications

**Ne pas modifier l'outil.** La modification de l'outil de quelque manière que ce soit peut entraîner des blessures corporelles et l'annulation de la garantie de l'outil. Ne pas faire fonctionner l'outil si le revêtement en PVC de la tête est endommagé.

**Ne jamais réparer une tête endommagée.** Une tête qui a été soudée, mise à la terre, percée ou modifiée de quelque manière que ce soit peut s'arrêter en cours d'utilisation. Pour réduire les risques de blessures, ne jamais remplacer les composants individuels. Jeter les têtes endommagées.

Ne pas tenter ouvrir l'outil. Il ne contient aucune pièce réparable par l'utilisateur.

## Sécurité liée à la batterie

**Pour réduire le risque d'incendie, d'explosion ou de choc électrique :** Ne rien laisser au contact des bornes de la batterie.

Ne pas immerger la batterie dans un liquide. Le liquide peut produire un court-circuit et endommager la batterie. Si une batterie a été immergée, contacter le centre de réparation pour obtenir les conseils de manipulation appropriée.

Ne pas placer la batterie dans une poche, un porte-outils ou une caisse à outils contenant des objets conducteurs. Les objets conducteurs peuvent produire un court-circuit et endommager la batterie.

Ne pas poser une batterie sur de la terre ou de l'herbe humide. L'humidité peut produire un court-circuit et endommager la batterie.

Ne pas tenter d'ouvrir la batterie. Elle ne contient aucune pièce réparable par l'utilisateur.

Ne pas entreposer la batterie à une température supérieure à 40 °C (104 °F) ou inférieure à -20 °C (-4 °F). Cela peut endommager la batterie.

### **AVERTISSEMENT**

Ne pas jeter les batteries au feu. Elles émettraient alors des vapeurs nocives et seraient susceptibles d'exploser. Le non-respect de cet avertissement peut entraîner des lésions graves causées par les vapeurs nocives ou des brûlures par projection de débris.

## Sécurité du chargeur

Lire les instructions fournies avec le chargeur de batterie. Ne pas utiliser le chargeur d'un autre fabricant. Les chargeurs d'autres fabricants peuvent surcharger et endommager la batterie ou causer des blessures.

## Description

La pince à sertir en ligne isolée alimentée par batterie de Greenlee est un outil de sertissage autonome portatif destiné à sertir des câbles en cuivre et en aluminium avec des matrices de type KC22, KA22 et W.

Cet outil est isolé et fournit une protection secondaire jusqu'à 1 000 V lorsqu'il est utilisé avec un équipement de protection individuelle, des procédures de sécurité appropriées et conformément au présent manuel.

L'outil est muni d'une connectivité Bluetooth® et d'un écran ACL.

Toutes les caractéristiques sont nominales et peuvent changer lorsque des améliorations sont apportées à la conception.

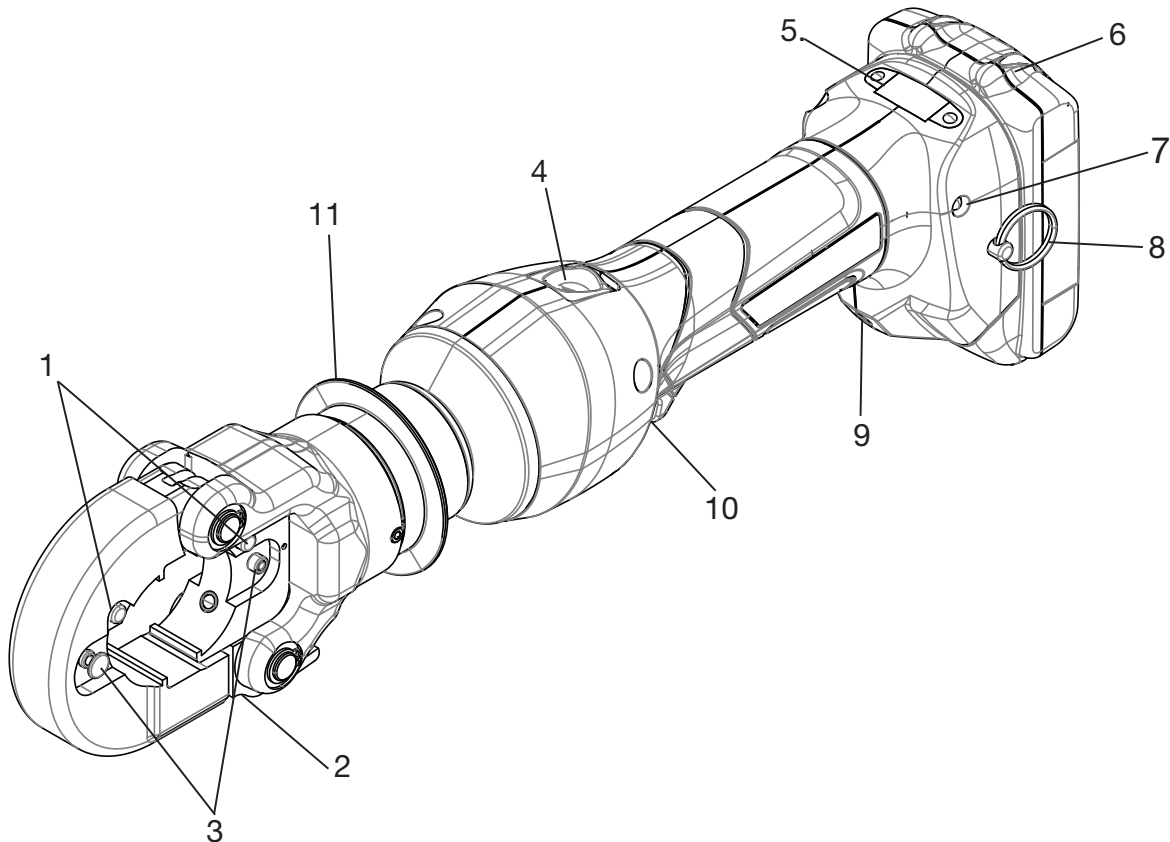
Ces outils sont protégés par les brevets américains n° 6,276,186, 6,401,515, 6,718,870, 7,086,979 et 7,254,982. Brevet en instance.

## Caractéristiques importantes

- L'outil intègre une rétraction automatique qui ramène le vérin à la position de départ lorsque la force maximale est atteinte.
- L'outil est équipé d'un frein spécial qui arrête le mouvement en avant du vérin lorsque la gâchette est relâchée.
- La tête de sertissage a été conçue pour pivoter autour de l'axe longitudinal afin de permettre un accès optimal aux coins étroits et autres zones de travail difficiles.
- Cet outil est équipé d'un capteur de pression qui peut alerter l'utilisateur lorsque le sertissage est incomplet.
- Si l'outil est rétracté manuellement avant l'achèvement du sertissage, le voyant à DEL rouge et un bip sonore s'activent pendant 2 secondes.
- Si l'outil ne parvient pas à atteindre la force de sertissage requise, le voyant à DEL rouge et la lumière de travail clignotent et un bip sonore retentit jusqu'à ce que la gâchette soit relâchée.

## Identification EK622CVX

- |                                       |                          |                                       |
|---------------------------------------|--------------------------|---------------------------------------|
| 1. Boutons de dégagement des matrices | 5. Écran ACL             | 9. Lampe de travail à DEL (blanche)   |
| 2. Bride de verrouillage              | 6. Cartouche de batterie | 10. Gâchette                          |
| 3. Cliquets de matrice de type W      | 7. Voyant à DEL (rouge)  | 11. Collier isolant à trois barrières |
| 4. Bouton de rétraction               | 8. Anneau de dragonne    |                                       |



## Caractéristiques

### Outil de sertissage

Longueur (avec batterie).....	431 mm (16,97 po)
Largeur.....	75 mm (2,95 po)
Profondeur.....	125 mm (4,92 po)
Poids.....	2,9 kg (6,4 lb)
Force de sertissage .....	53 kN (6 tonnes)
Plage de température de fonctionnement.....	-20 °C à 40 °C (-4 °F à 104 °F)

### Capacités de sertissage

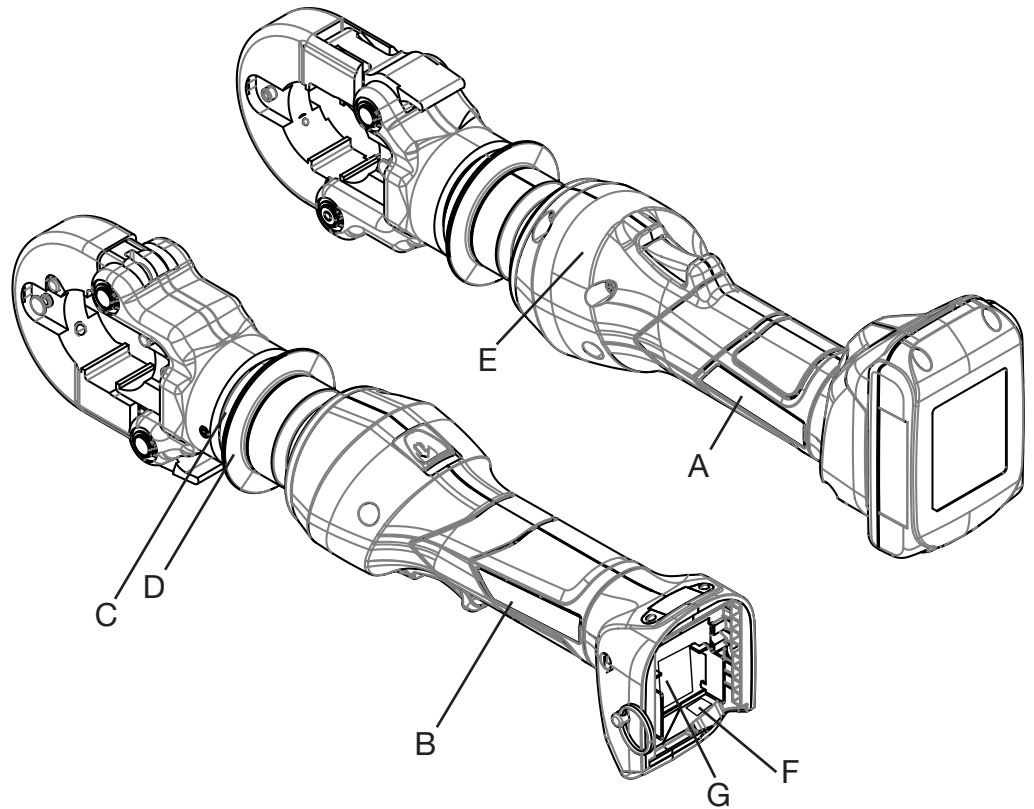
#### Dimension maximale du câble

Cuivre.....	600 kcmil
Aluminium .....	350 kcmil
Technologie de batterie .....	MAKITA® LXT® au lithium-ion

BL1815, BL1820, BL1830, BL1840, BL1850

**Étiquetage et emplacement**

- A. Identification du modèle
- B. Identification de la marque et de la fabrication
- C. Avertissement d'électricité sous tension
- D. Certification VDE/année du dernier entretien
- E. Avertissement d'inspection
- F. Certification FCC
- G. Étiquette d'adresse de fabrication



**A. EK622CVX**  
 CRIMP TOOL For use with UL listed wire connectors identified in the instructions provided. <E119270>  
 For use only with 18V — Makita battery  
 Pat. 6,276,186, 6,401,515, 6,718,870, 7,086,979 and 7,254,982 Patent pending

**B. GREENLEE GATOR**  
 MADE IN GERMANY  
 52089302 REV1



**D.**

REG F770 1000V REG F770 1000V HE.18561

**E.**

<p><b>⚠ AVERTISSEMENT</b></p> <p>Inspecter l'outil avant chaque utilisation. Ne pas utiliser si des dégâts ou de l'huile hydraulique sont observés. Les dégâts peuvent compromettre l'isolation de l'outil.</p>	<p><b>⚠ WARNING</b></p> <p>Inspect tool before each use. Do not use if damage or hydraulic oil is observed. Damage may compromise insulation.</p>	<p><b>⚠ ADVERTENCIA</b></p> <p>Inspeccione la herramienta antes de usar. Si la herramienta está dañada o se ha tirado aceite hidráulico, no la use. El daño puede comprometer el aislamiento.</p>
---	---	---

52087634 REV2

**F.**

FCC ID: RFR-550 • IC: 4957A-5502  
 Model: X

This device complies with Part 15 of the FCC Rules and with Industry Canada license-exempt RSS standard(s). Operation is subject to the following two conditions: (1) this device may not cause harmful interference, and (2) this device must accept any interference received, including interference that may cause undesired operation

52087786

**G.**

**GREENLEE**  
 Greenlee Tools Inc.  
 4455 Boeing Drive,  
 Rockford IL  
 61109-2988 USA

## FONCTIONNEMENT DE L'OUTIL

### Formation et qualifications


S'assurer d'être formé et qualifié par votre employeur pour toute tâche utilisant cet outil, en particulier dans un environnement sous tension. Si nécessaire, par exemple pour l'installation, le retrait et la réparation de lignes alimentées à plus de 600 volts, s'assurer qu'au moins une deuxième personne formée et qualifiée est présente à une distance appropriée.

Respecter toutes les consignes de formation et de sécurité sur les chantiers d'électricité sous tension, voir également la norme OSHA pour la production, le transport et la distribution d'électricité (29 CFR 1910.269) et la norme NEC 70E : norme pour la sécurité électrique en milieu de travail.

Avant d'utiliser cet outil, veiller à lire et comprendre :

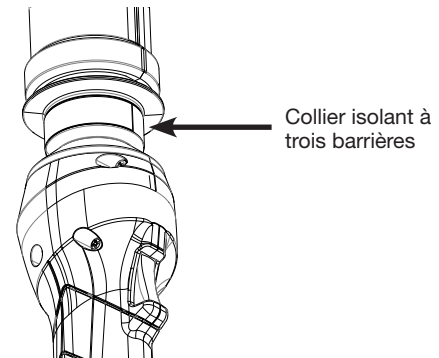
- ce manuel de l'opérateur
- le manuel du chargeur/de la batterie
- les instructions relatives à tout autre équipement utilisé avec cet outil
- les marquages sur l'outil
- les procédures de sécurité requises sur le chantier

### Inspection avant utilisation

	<b>⚠ AVERTISSEMENT</b>
	<p>Tous les jours avant l'utilisation, inspecter l'outil électrique et corriger tout problème afin de réduire le risque de blessures graves dues à des chocs électriques, des blessures par écrasement, des défaillances de l'équipement et d'autres causes, et d'éviter tout dommage au niveau de l'outil.</p>

1. Retirer la batterie de l'outil.
2. Nettoyer toute huile, graisse ou saleté du corps de l'outil et de la tête d'outil, y compris les poignées et les commandes. La présence d'un excès d'huile, de graisse ou de saleté peut nuire à l'intégrité de la barrière isolante. Un outil propre permet également l'inspection et d'éviter la perte de contrôle de l'outil ou son glissement.
3. Toujours inspecter l'outil avant chaque utilisation.
  - Vérifier l'absence d'usure et de dommages sur le boîtier tels que fissures, entailles ou éclats.
  - Inspecter attentivement le collier isolant à trois barrières pour vérifier l'absence de fissures, d'entailles ou d'éclats.
  - Vérifier l'absence de fuites d'huile hydraulique.
  - Vérifier la rotation de la tête de l'outil. Rétracter complètement le vérin. La tête doit tourner librement.
  - Vérifier l'ensemble de matrices.
  - Veiller à ce que l'outil soit propre, sec et exempt de contaminants.

Si des dommages au boîtier ou au collier isolant à trois barrières sont observés ou suspectés, ou si de l'huile hydraulique s'est écoulée de l'outil, ne pas utiliser l'outil. Communiquer avec le service à la clientèle de Greenlee au 800-435-0786 pour obtenir une intervention de service ou de réparation au titre de la garantie.



Les dommages à l'outil peuvent compromettre l'isolation et présenter un risque de choc électrique ou d'éclat d'arc électrique, ou causer la rupture de l'outil pendant son utilisation, produisant des projectiles qui peuvent blesser le personnel à proximité.

L'outil doit être retourné à Greenlee pour un essai diélectrique de l'isolant à 2 ans ou 5 000 cycles, selon la première éventualité. Voir la page 15 pour l'entretien et la maintenance.

Cet outil n'est pas destiné à être utilisé dans des applications marines.

Ne pas utiliser à des températures inférieures à -20 °C (-4 °F) ou supérieures à 40 °C (104 °F). Les températures extrêmes peuvent endommager l'outil et compromettre l'isolation ou augmenter la probabilité de blessures.

Ne pas utiliser cet outil sous la pluie, la neige ou d'autres conditions météorologiques potentiellement dangereuses, au risque de compromettre l'isolation de l'outil.

### Préparation

**Inspecter le chantier conformément aux exigences de la spécification de travail de l'employeur OSHA.**

**Dans la mesure où un circuit sous tension peut être mis hors tension, toujours le mettre hors tension avant de commencer le travail.**

Respecter toutes les procédures du lieu de travail pour le contrôle de l'énergie dangereuse afin d'éviter toute mise sous tension involontaire pendant le travail. Toujours manipuler la ligne comme si elle était sous tension, même si elle est hors tension. Lorsqu'un travail sous tension est nécessaire, confirmer que la tension nominale est inférieure à 1 000 V et mesurer la tension avant de commencer le travail.

**Suivre les instructions d'installation et d'utilisation pour réduire les risques de blessures par écrasement, choc électrique et autres causes et pour éviter d'endommager l'outil.**

1. Confirmer la sécurité de la zone de travail (voir les avertissements généraux à la p. 4). Travailler dans un endroit dégagé, plat, stable et sec. Ne pas utiliser l'outil avec les pieds dans l'eau ou en contact avec d'autres conducteurs.

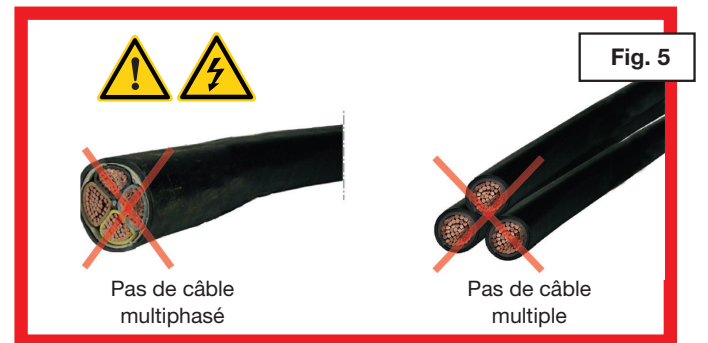
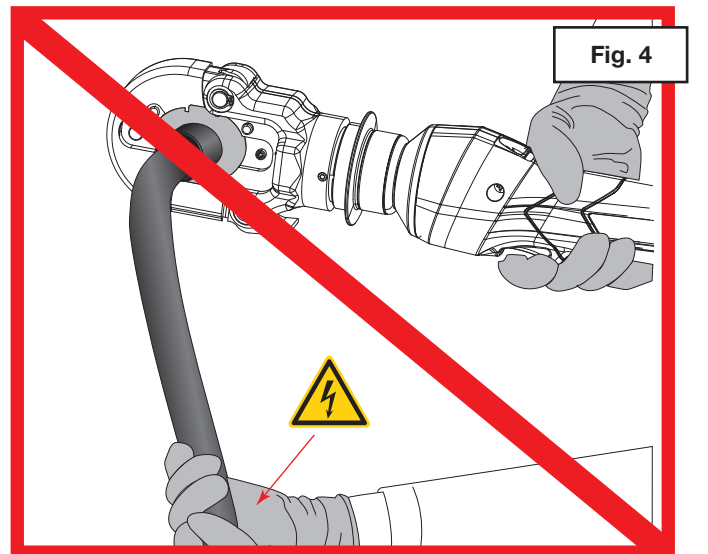
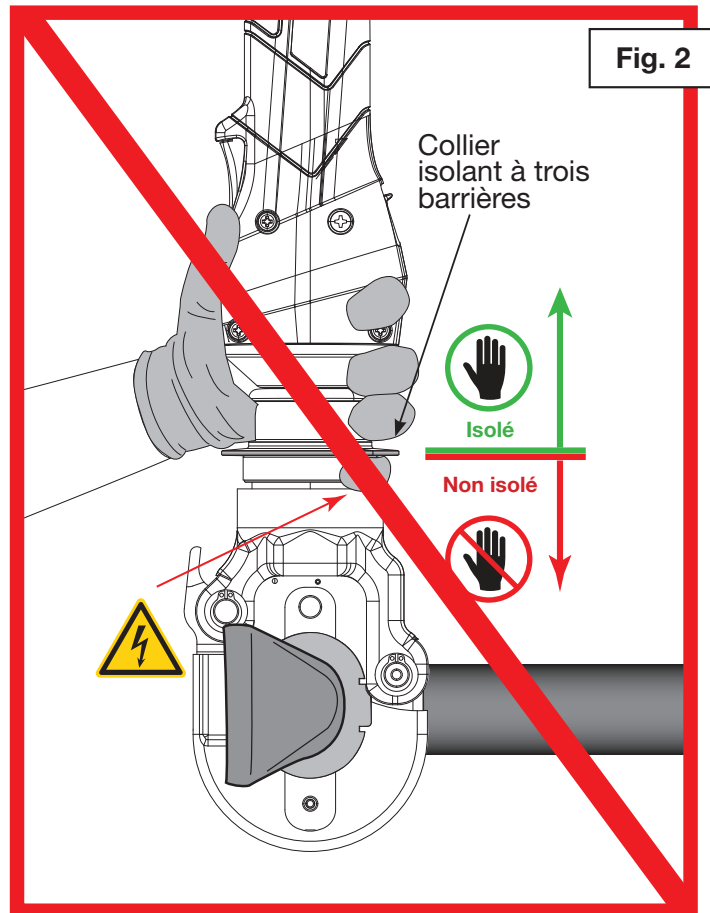
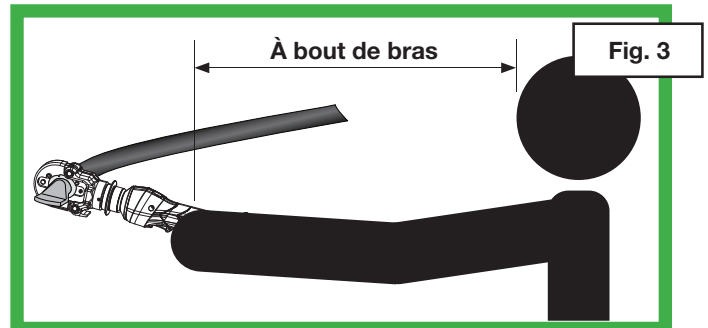
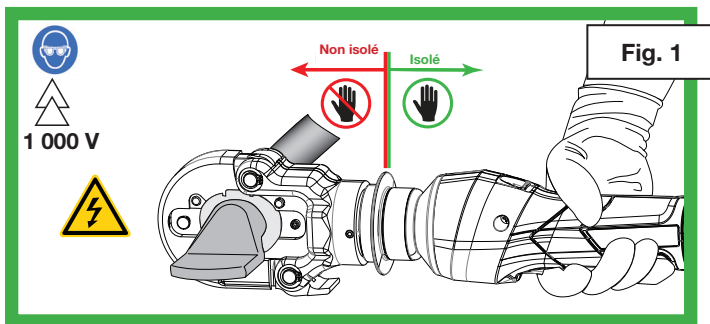
## Préparation (suite)

2. Inspecter le travail à effectuer et déterminer l'outil correct pour l'application. L'utilisation d'un outil incorrect pour une application peut causer des blessures ou endommager l'outil. (Voir les caractéristiques de l'outil à la p. 8.)
3. Confirmer que l'outil et la tête ont été inspectés comme indiqué ci-dessus.

## Manipulation de l'outil lors de l'utilisation

Pour éviter tout contact avec des pièces sous tension et réduire le risque d'électrocution ou d'éclat d'arc électrique, et pour éviter les blessures par coupure ou pincement, tenir l'outil correctement pendant son utilisation :

1. Toucher l'outil uniquement par la poignée isolante. (Fig. 1)
2. Ne toucher aucune partie de l'outil au-delà du collier isolant à trois barrières. Ne pas saisir le collier. Éloigner les mains de la tête. (Fig. 2)
3. Garder l'outil à bout de bras et loin du corps. (Fig. 3)
4. Ne pas toucher le câble. (Fig. 4)
5. Ne pas couper ou sertir des câbles multiphasés ou multiples en même temps. (Fig. 5)





## Choix des matrices

Les sertissages réalisés sur du câble en cuivre avec les matrices Greenlee de type KC22 et les connecteurs en cuivre indiqués ici sont homologués cUL et UL.

Les sertissages réalisés sur du câble en cuivre ou en aluminium avec les matrices Greenlee de type KA22 et les connecteurs en aluminium à deux tensions indiqués ici sont homologués cUL et UL.

Voir les marques et numéros de modèle des cosses appropriées sous « Choix des connecteurs » et consulter également les instructions de sertissage.

Les matrices de type W ou de type X peuvent être utilisées pour sertir du câble de cuivre de 8 AWG à 500 kcmil et d'aluminium de 8 AWG à 4/0 AWG.

### Matrices pour connecteurs en cuivre

Numéro de catalogue	Numéro CUP	Calibre de câble	Code couleur
KC22-8	03079	8 AWG	Rouge
KC22-6	03080	6 AWG	Bleu
KC22-4	03081	4 AWG	Gris
KC22-2	03082	2 AWG	Brun
KC22-1	03083	1 AWG	Vert
KC22-1/0	03084	1/0 AWG	Rose
KC22-2/0	03085	2/0 AWG	Noir
KC22-3/0	03086	3/0 AWG	Orange
KC22-4/0	03087	4/0 AWG	Violet
KC22-250	03088	250 kcmil	Jaune
KC22-300	03089	300 kcmil	Blanc
KC22-350	03090	350 kcmil	Rouge
KC22-400	03091	400 kcmil	Bleu
KC22-500	03092	500 kcmil	Brun
KC22-600	03093	600 kcmil	Vert

### Matrices pour connecteurs en aluminium à deux tensions

Numéro de catalogue	Numéro CUP	Calibre de câble
KA22-8	06744	8 AWG
KA22-6	06745	6 AWG
KA22-4	06746	4 AWG
KA22-2	06747	2 AWG
KA22-1	06749	1 AWG
KA22-1/0	06750	1/0 AWG
KA22-2/0	06751	2/0 AWG
KA22-3/0	06752	3/0 AWG
KA22-4/0	06753	4/0 AWG
KA22-250	06754	250 kcmil
KA22-300	06755	300 kcmil
KA22-350	06756	350 kcmil

## Choix des connecteurs

**Capacité de l'outil :** Cuivre - 8 AWG à 600 kcmil; Aluminium à deux tensions - 8 AWG à 350 kcmil

Lorsqu'il est utilisé avec des matrices de type KC22, cet outil est homologué cUL et UL pour une utilisation avec les marques de connecteurs suivantes :

Type de connecteur	Type de fût	Anderson™	Blackburn®	Burndy®	ILSCO®	Panduit®	T&B®	Penn-Union™	Nbre de sertissages*
Épissure cuivre	Court	VHSS	CSP	YS-L	CT	SCSS/SCS	54504-54520	BCU	A
	Long	VHS	CU	YS	CTL	SCL/SCH	54804-54820	BBCU	B
Cosses en cuivre	Court	VHCS	CTL-2/CTL	YA-2LN/YA-L/YA-2L YA/YA-L-TC/YA-L-2TC	CSW CRA/CRB	LCAS/LCA ACL	54104-54120 54204-54218	BLU	A
	Long	VHCL	CTL-L/LCN	YA-2N	CLN/CLW CRA-L/CRB-L CRA-2L/CRB-2L	LCB/LCC	54930BE-54920BE 54850BE-54878BE	BBLU	B

Lorsqu'il est utilisé avec des matrices de type KA22, cet outil est homologué cUL et UL pour une utilisation avec les marques de connecteurs suivantes :

Type de connecteur	Type de fût	Anderson™	Blackburn®	Burndy®	ILSCO®	Panduit®	T&B®	Penn-Union™	Nbre de sertissages*
Épissure aluminium bi-tension	—	VACS	ASP	YS-A	AS ASN	SA**	60501-60565	PIK	C
Cosses aluminium bi-tension	—	VACL	ATL	YA-A YA-ATN	ACL/ACN 2ACL/2ACN ALNS/ALNN/ALND	LAA/LAB**	60101-60166 60230-60267	BLUA	

\* Utiliser le nombre de sertissages indiqué dans la dernière colonne au lieu du nombre fourni avec le connecteur :

A — 8 à 1/0 AWG : 1 sertissage

B — 8 à 1/0 AWG : 2 sertissages

C — 8 à 2 AWG : 2 sertissages

2/0 AWG à 600 kcmil : 2 sertissages

2/0 à 3/0 AWG : 3 sertissages

1 à 3/0 AWG : 3 sertissages

4/0 AWG à 600 kcmil : 4 sertissages

4/0 AWG à 350 kcmil : 4 sertissages

\*\* 6 AWG à 350 kcmil



## Installation des matrices

### Installation de matrices de type K22, KA22 et KC22

1. Appuyer sur le bouton de libération de la matrice.
2. Faire glisser la matrice dans la tête de sertissage jusqu'à ce qu'elle s'enclenche en position.
3. Bien positionner la deuxième matrice. Répéter l'étape 2.

### Installation des matrices de type W

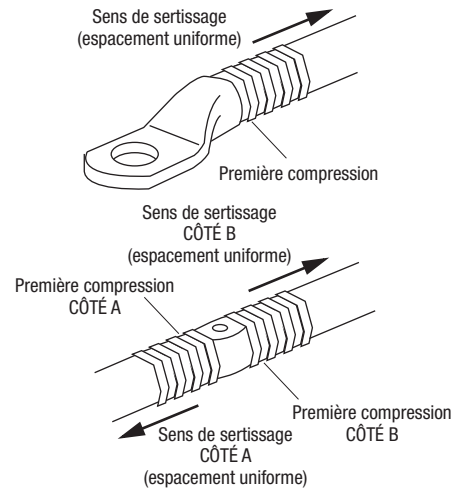
1. Appuyer sur le bouton de libération de la matrice.
2. Faire glisser l'adaptateur de matrice (référence Greenlee 50042920) dans la tête de sertissage jusqu'à ce qu'il s'enclenche en position.

*Remarque : Les adaptateurs de matrice ont un profil de matrice «D<sub>3</sub>». Aucune matrice supplémentaire n'est nécessaire si le connecteur à sertir nécessite une matrice «D<sub>3</sub>».*

3. Répéter l'opération pour l'autre adaptateur.
4. Appuyer sur la bride de verrouillage et ouvrir la tête de sertissage.
5. Pousser le cliquet de matrice de type W et faire glisser la matrice de type W en position.
6. Répéter l'étape 5 pour positionner correctement la deuxième matrice.

## Préparation du câble

Voir la longueur de câble à dénuder dans les instructions du fabricant des cosses.



## Fonctionnement

1. Porter un équipement de protection individuelle approprié, y compris un équipement de protection des yeux, du visage, de la tête et des bras et d'autres EPI exigés par votre employeur, et/ou selon les besoins du travail.
2. Appuyer sur la bride de verrouillage et ouvrir la tête de sertissage.
3. Insérer le connecteur correctement assemblé dans la tête de sertissage.
4. Fermer la tête de sertissage.
5. Veiller à tenir l'outil à bout de bras (Fig. 3, p. 11) puis tirer sur la gâchette pour réaliser le sertissage.  
Remarque : La gâchette active la lampe de travail à DEL blanche qui reste allumée pendant 10 secondes après le relâchement de la gâchette.
6. Appuyer sur la gâchette jusqu'à ce que la pression se dissipe, ce qui est indiqué par un pop sonore.
7. Le vérin revient automatiquement à la position de départ.

Le processus peut être interrompu à tout moment en relâchant la gâchette. En actionnant le bouton de rétraction, le vérin revient à la position de départ. Si le son indiquant la dissipation de tension ne se fait pas entendre ou si le vérin ne se rétracte pas automatiquement, le sertissage n'est pas complet.

Remarque : Cet outil n'est pas prévu pour une utilisation en continu. Après 100 cycles, laisser l'outil refroidir pendant 15 minutes.

Ne pas tordre la pièce de travail ou l'outil durant le fonctionnement. Cela pourrait causer une défaillance.

*\*Après avoir terminé le dernier sertissage avec les matrices de type W sur un connecteur en aluminium, essuyer l'excédent d'inhibiteur d'oxyde.*

## Transport de l'outil


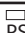
L'anneau et la sangle de transport sont uniquement destinés au transport. Ne jamais suspendre l'outil par la sangle.

## Écran ACL

Cet outil possède un écran ACL affichant des informations sur l'outil. Allumer l'écran en insérant la batterie et en appuyant sur la gâchette.

En fonctionnement normal, passer entre les divers affichages en utilisant les boutons de droite et de gauche sur les deux côtés de l'écran.

L'écran ACL affiche également les codes d'erreur en cas de fonctionnement anormal. Voir la page 17 pour la résolution des codes d'erreur.

Affichage	Écran ACL	Information affichée
0	 <b>GREENLEE</b>	
1	P  P PSI PSI	État Bluetooth®, charge de la batterie, pression actuelle, pression max. Garder enfoncés les deux boutons pour changer d'unité, sélectionner avec le bouton de droite et confirmer en actionnant l'outil.
2	INFO FW: 2.0 123456AB001	Version du microprogramme, numéro de série
3	CURRENT USER : 1 SINGLE CLICK MRS+	Utilisateur actuel. Maintenir les deux boutons enfoncés pour changer d'utilisateur et basculer entre les opérations simple clic et double clic. Modifier l'utilisateur et l'opération à l'aide du bouton droit et confirmer la sélection en appuyant sur la gâchette. La sélection d'un simple clic permet à l'utilisateur de faire fonctionner l'outil en appuyant une fois sur la gâchette. En sélectionnant le double-clic, l'utilisateur doit appuyer deux fois sur la gâchette dans un délai de 1/2 seconde pour pouvoir utiliser l'outil.
4	NEXT SERVICE 5000 OPS 730 DAYS	Cycles et jours jusqu'au prochain entretien.
5	TOTAL: T= 0.0h Q= 0.0Ah n= 0	Heures de fonctionnement écoulées (T), Ah utilisé (Q) et nombre de cycles (n) depuis la date de fabrication.

## Application Bluetooth/i-Press

Cet outil est doté de la fonctionnalité Bluetooth qui permet à l'outil de communiquer avec l'application i-press Greenlee sur votre appareil intelligent.

1. Installez l'application « i-Press Klauke Software Solutions » à partir d'App Store ou de Google Play. Ouvrez l'application sur votre appareil intelligent et sélectionnez l'option Greenlee.
2. Connectez-vous à la fonction Bluetooth de votre appareil intelligent et activez l'outil pour établir une connexion.
3. L'application vous permet de créer des projets, de personnaliser votre outil et d'afficher les mesures de pression de l'outil, la charge de la batterie, la date du dernier entretien, etc. Les instructions d'utilisation de l'application sont indiquées dans l'application i-Press elle-même; vous pouvez également demander une brochure MA6864 auprès de n'importe quel distributeur Greenlee.

## Stockage et nettoyage

Pour éviter d'endommager l'outil ou de compromettre les barrières isolantes de l'outil, nettoyer le boîtier avec un chiffon humide et un produit nettoyant doux après chaque utilisation. Sécher complètement et rétracter complètement le vérin. Placer l'outil dans son étui de transport et le ranger dans un endroit frais et sec. Ne pas utiliser la sangle de transport pour accrocher ou suspendre l'outil. Éviter de laisser tomber

l'outil. Le cas échéant, recharger les batteries. Se reporter aux instructions fournies avec le chargeur de batterie. Ranger l'outil dans le boîtier de protection fourni par le fabricant.

Conserver ce manuel avec l'outil.

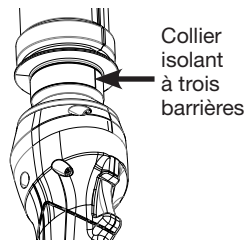
## Entretien et maintenance

Si un dommage du logement de l'outil ou du collier isolant à trois barrières est noté ou suspecté, ou si de l'huile hydraulique fuit, ne pas utiliser l'outil. La sécurité de l'outil peut être compromise. Retourner immédiatement l'outil à Greenlee au 800-435-0786 pour la réparation ou le service de garantie.

Un bon entretien de l'outil comprenant le remplacement périodique du collier isolant à trois barrières est requis.

Tous les 2 ans ou tous les 5 000 cycles, à la première échéance, un entretien en usine doit être réalisé. L'entretien en usine comprend le remplacement de l'huile hydraulique di-électrique et des composants du collier isolant à trois barrières et le test électrique de l'outil par des techniciens formés, ainsi qu'une inspection générale du fonctionnement mécanique.

**Les composants du collier isolant à trois barrières de l'outil doivent être remplacés tous les deux ans.** Le non-respect du calendrier d'entretien en usine requis risque de compromettre les propriétés isolantes de l'outil et d'entraîner des blessures graves.



Collier isolant à trois barrières

L'outil indique quand l'échéance des 2 ans ou des 5 000 cycles approche et quand l'entretien d'usine est requis. Lorsque la date de l'entretien d'usine approche ou arrive, contacter le service à la clientèle de Greenlee. Des expéditions accélérées sont disponibles. Après avoir contacté le service à la clientèle

de Greenlee, l'outil doit être envoyé au centre de service d'usine de Greenlee au 4411 Boeing Dr., Rockford, IL 61109.

Utiliser ce calendrier pour déterminer à quel moment effectuer l'entretien d'usine.

Calendrier d'entretien de routine	Date d'entretien	Remarques
Date de placement pour entretien		
Date du premier entretien en usine		
Date du deuxième entretien en usine		
Date du troisième entretien en usine		
Date du quatrième entretien en usine		
Date du cinquième entretien en usine		
Date du sixième entretien en usine		
Date du septième entretien en usine		
Date du huitième entretien en usine		
Date du neuvième entretien en usine		
Date du dixième entretien en usine		
Date du onzième entretien en usine		

### **⚠ AVERTISSEMENT**

N'effectuer aucune réparation ni opération d'entretien autre que celles décrites dans ce manuel. Cela peut entraîner des blessures ou des dommages à l'outil.

### **⚠ AVERTISSEMENT**

Les composants isolants à trois barrières doivent être remplacés par les techniciens d'usine Greenlee tous les deux ans. Le fait de ne pas remplacer les composants isolants à trois barrières peut entraîner des blessures ou des dommages.

## Dépannage

### Avant de commencer

1. S'assurer que la batterie est chargée. Revérifier la batterie au bout de quelques minutes pour s'assurer qu'elle tient la charge.
2. Utiliser un nettoie-contact **inflammable** ou une gomme à crayon pour nettoyer les contacts électriques de la batterie et de l'outil.
3. Remettre la batterie en place et revérifier l'outil.

Problème	Cause possible	Solution probable
L'outil ne fonctionne pas.	Saleté, corps étrangers, etc. au niveau du vérin.	Nettoyer l'outil.
	Éléments de l'outil usés ou endommagés.	Communiquer avec le service à la clientèle de Greenlee au 800-435-0786 pour obtenir une intervention de service ou de réparation au titre de la garantie.
Le moteur ne fonctionne pas.	Batterie faible ou déchargée.	Essayer avec une batterie chargée. La batterie qui ne fonctionne pas peut être déchargée ou avoir atteint la fin de sa durée de service.
	Pièces de commutateur cassées.	Communiquer avec le service à la clientèle de Greenlee au 800-435-0786 pour obtenir une intervention de service ou de réparation au titre de la garantie.
Le moteur tourne, mais l'outil n'exécute pas un cycle complet.	Niveau de liquide hydraulique insuffisant.	Communiquer avec le service à la clientèle de Greenlee au 800-435-0786 pour obtenir une intervention de service ou de réparation au titre de la garantie.
	Air dans le circuit hydraulique.	Appuyer simultanément sur la gâchette et sur le bouton de rétraction. Mettre en marche pendant environ 10 secondes, puis tenter d'arrêter et de remettre en marche l'outil. Si cette opération ne réussit pas, communiquer avec le service à la clientèle de Greenlee au 800-435-0786 pour obtenir une intervention de service ou de réparation au titre de la garantie.
	Liquide hydraulique froid.	Appuyer sur la gâchette et enfoncer simultanément le bouton de rétraction pour chauffer le liquide. Entreposer l'outil dans un endroit chaud.
L'outil perd du liquide hydraulique.	Joint endommagé.	Communiquer avec le service à la clientèle de Greenlee au 800-435-0786 pour obtenir une intervention de service ou de réparation au titre de la garantie.





## Dépannage (suite)

Si certains problèmes surviennent avec l'outil, un code d'erreur s'affiche sur l'écran ACL (voir p. 14).

Code d'erreur	Signification	Action
1	Surintensité du fusible	Demander un entretien
2	Surintensité du comparateur	Demander un entretien
3	Surchauffe du circuit imprimé	Refroidir l'outil
4	Surchauffe de la batterie	Refroidir la batterie
5	Batterie épuisée; le fonctionnement cesse	Charger la batterie
6	Sertissage incorrect; cycle terminé	Demander un entretien
7	Sertissage incorrect; cycle non terminé	Demander un entretien
8	Batterie faible	Charger la batterie
9	Batterie vide	Charger la batterie
10	Batterie d'horloge en temps réel faible	Demander un entretien
11	Outil désactivé	Demander un entretien
12	Entretien nécessaire	Demander un entretien
13	Horloge en temps réel introuvable	1. Réinsérer la batterie 2. Demander un entretien
14	Unité Bluetooth® introuvable	1. Réinsérer la batterie 2. Demander un entretien
15	[Non utilisé]	
16	Capteur de pression introuvable	Demander un entretien
17	Pression de rupture dépassée	Demander un entretien
18	Température de la batterie trop faible	Batterie chaude
19	Écran clignotant - 4 750 cycles dépassés	Demander un entretien

## Voyant à DEL (rouge)

Cet outil est équipé d'un circuit électronique spécial incorporant plusieurs fonctions importantes conçues pour informer l'utilisateur de l'état actuel de l'appareil. Le voyant à DEL signale les cas suivants :

Situation	Signal	Signification	Ce qu'il faut faire
L'outil ne démarre <b>pas</b> , et le voyant est continu pendant 20 secondes lorsque la gâchette est relâchée		Batterie déchargée	Changer ou charger la pile
L'outil s'arrête, et le voyant est continu pendant 20 secondes lorsque la gâchette est relâchée			
L'outil s'arrête, et le voyant clignote pendant 20 secondes lorsque la gâchette est relâchée		Le courant du moteur dépasse 20 A durant le cycle	Laisser l'outil refroidir
		Le circuit a surchauffé	
Voyant clignotant pendant 20 secondes à la fin du cycle	 et avertissement sonore	Indique que les 4 750 cycles ou les 21 mois ont été dépassés	Envoyer l'outil à des fins d'entretien

Remarque : l'outil indiquera à quel moment la re-certification sera proche. À partir de 4 750 cycles ou de 21 mois (selon la première éventualité), le voyant à DEL rouge et le voyant DEL de travail clignoteront, un avertissement sonore se déclenchera et le voyant DEL affichera ENTRETIEN NÉCESSAIRE pendant 20 secondes après chaque cycle. Après 5 000 cycles ou 2 ans, l'outil ne fonctionnera pas tant que la batterie n'aura pas été retirée et réinstallée. Un seul cycle est possible à chaque réinstallation de la batterie.



**Modèle X—ID FCC : RFR-S50;  
ID IC : 4957A-S50****Exigences américaines :**

Partie responsable : Greenlee Tools, Inc.  
Rockford, IL 61109, États-Unis

Remarque : ce matériel a été contrôlé et déclaré conforme aux limites fixées pour les dispositifs numériques de Classe A, en vertu de la partie 15 de la réglementation FCC. Ces limites sont destinées à offrir une protection raisonnable contre les brouillages préjudiciables lorsque le matériel est utilisé dans un environnement commercial. Ce matériel produit, utilise et peut rayonner de l'énergie haute fréquence et, s'il n'est pas installé et utilisé conformément au mode d'emploi, peut causer un brouillage préjudiciable aux communications radio. L'utilisation de ce matériel dans une zone résidentielle est susceptible de causer un brouillage préjudiciable, auquel cas l'utilisateur devra corriger le brouillage à ses propres frais.

Ce dispositif respecte les conditions d'exclusion du test du débit d'absorption spécifique (SAR) relatif à l'exposition à la radiofréquence (RF) s'appliquant aux dispositifs portatifs, si une distance minimale est observée. Toutefois, le dispositif doit être utilisé de sorte que, lors de son fonctionnement normal, le risque de contact avec l'être humain soit réduit au maximum.

**Exigences canadiennes :**

Le présent appareil est conforme aux CNR d'Industrie Canada applicables aux appareils radio exempts de licence. L'exploitation est autorisée aux deux conditions suivantes:

- 1) l'appareil ne doit pas produire de brouillage;
- 2) l'utilisateur de l'appareil doit accepter tout brouillage radioélectrique subi, même si le brouillage est susceptible d'en compromettre le fonctionnement

## Garantie

Les outils isolés du modèle « VX » sont couverts par la garantie limitée standard de Greenlee pour une période de 7 ans, cette garantie limitée exclut la couverture pour le collier isolant à trois barrières et les composants.

Le collier isolant à trois barrières et les composants sont couverts par la garantie limitée standard de Greenlee pour une période de 2 ans.

La garantie limitée standard de Greenlee est disponible sur le site [www.greenlee.com](http://www.greenlee.com).

Pour toute réclamation au titre de la garantie et pour le service après-vente de l'usine, veuillez communiquer avec le service à la clientèle de Greenlee par téléphone au 800-435-0786.

Adresse de livraison :

Greenlee Factory Service Center  
4411 Boeing Drive, Rockford, IL 61109

*Rappel : le droit à la garantie est annulé si le sceau de garantie de l'outil est brisé.*

**⚠ AVERTISSEMENT**

N'effectuer aucune réparation ni opération d'entretien autre que celles décrites dans ce manuel. Cela peut entraîner des blessures ou des dommages à l'outil.

**⚠ AVERTISSEMENT**

Les composants isolants à trois barrière doivent être remplacés à l'usine Greenlee tous les deux ans. Le non-respect de ces consignes de remplacement peut entraîner des blessures et des dommages.









4455 Boeing Drive • Rockford, IL 61109-2988 • É.-U. • 815-397-7070  
©2019 Greenlee Tools, Inc. • Une entreprise certifiée ISO 9001

[www.greenlee.com](http://www.greenlee.com)

**É.-U.** Tél: 800-435-0786  
Fax: 800-451-2632

**Canada** Tél: 800-435-0786  
Fax: 800-524-2853

**International** Tél: +1-815-397-7070  
Fax: +1-815-397-9247