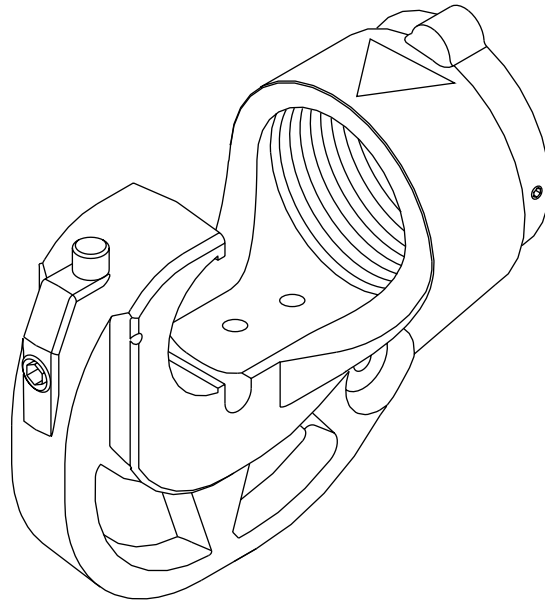


SERVICE INFORMATION



C-Head Replacement Kits

507 6603.2 — 30 mm

507 6604.9 — 30 mm, PVC-covered

507 6605.6 — 42 mm

507 6606.3 — 42 mm, PVC-covered

507 6608.7 — 42 mm, LP


507 6609.4 — 42 mm, LP, PVC-covered

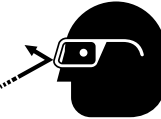


Read and understand all of the instructions and safety information in this manual before operating or servicing this tool.

Introduction

This service information sheet describes how to replace the crimping heads on the 30 mm and 42 mm crimping tools, both with and without the PVC coating. Use this document in conjunction with the instruction manuals and parts lists for these tools.

	<p align="center">⚠ WARNING</p> <p>Read and understand all of the instructions and safety information in this document and any manuals that accompanied these tools.</p> <p>Failure to observe this warning can result in severe injury or death.</p>
---	--

	<p align="center">⚠ WARNING</p> <p>Wear eye protection when operating or servicing this tool.</p> <p>Failure to wear eye protection can result in serious eye injury from flying debris.</p>
---	---

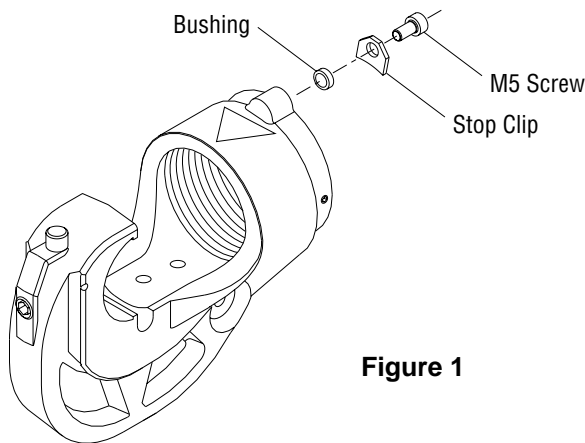


Figure 1

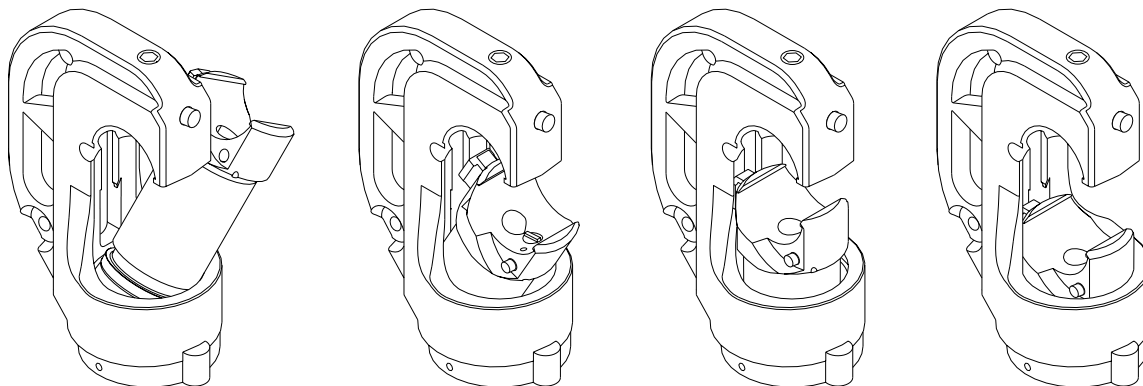


Figure 2

Replacing the C-Head

EK1230, EK1230C, HK1230, and HK1230C

Disassembly

1. Remove the M5 screw and stop clip from the head. Refer to Figure 1.
2. Unscrew the crimping head assembly.

Reassembly

1. Replace the front head assembly. Twist the crimping head until it stops.
2. Apply one drop of thread-locking compound (Loctite® 242® or equivalent) to the M5 screw, install the screw and stop clip, and tighten. Be sure that the crimping head assembly rotates freely approximately 350°.

EK1240, EK1240C, HK1240, and HK1240C

Disassembly

1. Remove the M5 screw and stop clip from the head. Refer to Figure 1.
2. Unscrew the crimping head assembly. Tilt and slide the ram through the opening in the C-head. Refer to Figure 2.

Reassembly

1. Replace the C-head assembly. Tilt and slide the ram through the opening in the C-head. Align the T-shaped protrusion on the ram with the T-shaped groove in the C-head and assemble the ram to the C-head. Twist the C-head until it stops.
2. Apply one drop of thread-locking compound (Loctite 242 or equivalent) to the M5 screw, install the screw and stop clip, and tighten. Be sure that the crimping head assembly rotates freely approximately 350°.

Replacing the C-Head (cont'd)

LPK1230, LPK1230C, LPK1240, and LPK1240C

Disassembly

1. Remove the socket head cap screw from the cylinder. Refer to Figure 3.
2. Unscrew the head and ram together until the ram can be pushed rearward beyond the second grooved pin, at which point the head will rotate alone. Remove the crimping head assembly.

Reassembly

1. Replace and rotate the C-head assembly until the ram contacts the second grooved pin. Be sure that the pin aligns with the slot in the ram, and twist the head and ram together until they stop. Then back off approximately 3/4 of a turn.
2. Apply one drop of thread-locking compound (Loctite 242 or equivalent) to the socket head cap screw and tighten. Be sure that the crimping head assembly rotates freely approximately 350°.

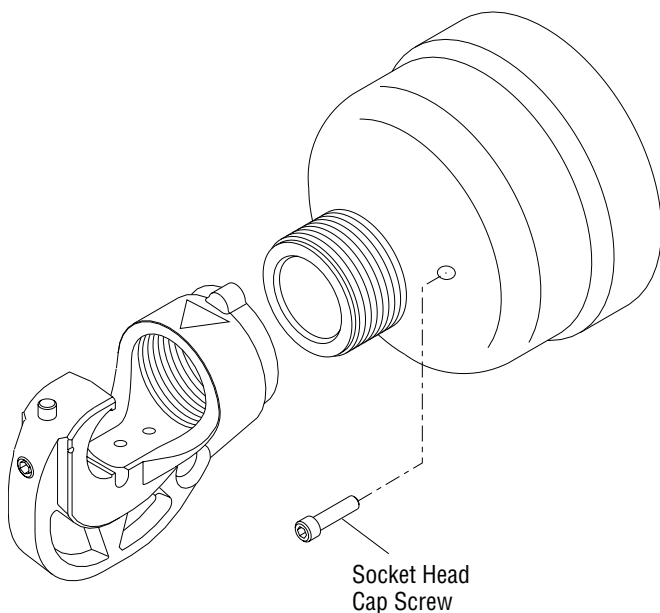


Figure 3

RK1230 and RK1230C

Disassembly

1. Loosen the set screw on the side of the crimping head. Refer to Figure 4.
2. Rotate the cylinder counterclockwise, and remove the cylinder and ram assembly from the head.

Reassembly

1. Insert the ram assembly, to include the washer and wiper, into the C-head. Be sure that the slot in the ram aligns with the groove pin in the head.
2. Install the cylinder and tighten until it stops.
3. Apply one drop of thread-locking compound (Loctite 242 or equivalent) to the set screw and tighten.

RK1240 and RK1240C

Disassembly

1. Loosen the set screw on the side of the crimping head. Refer to Figure 4.
2. Rotate the cylinder counterclockwise and remove. Remove the washer and wiper from inside of the C-head.
3. Tilt and slide the ram through the opening in the C-head. Refer to Figure 2.

Reassembly

1. Tilt and slide the ram through the opening in the C-head. Align the T-shaped protrusion on the ram with the T-shaped groove in the C-head, and assemble the ram to the C-head.
2. Install the washer and wiper.
3. Install the cylinder and tighten until it stops.
4. Apply one drop of thread-locking compound (Loctite 242 or equivalent) to the set screw and tighten.

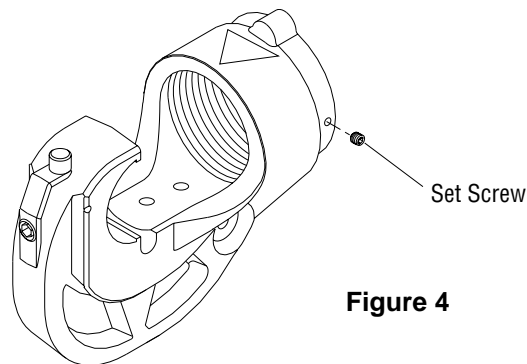


Figure 4

All specifications are nominal and may change as design improvements occur. Greenlee Textron shall not be liable for damages resulting from misapplication or misuse of its products.

Loctite and 242 are registered trademarks of Loctite Corporation.

KEEP THIS MANUAL

GREENLEE **TEXTRON**

Greenlee Textron / Subsidiary of Textron Inc.

4455 Boeing Drive, Rockford, IL 61109-2988 USA

Customer Service (International): 815/397-7070 • Fax: 815/397-9247

Customer Service (North America): 800/435-0786 • USA Fax: 800/451-2632, 815/397-1865

Canada Fax: 800/524-2853

www.greenlee.textron.com

Printed in the USA