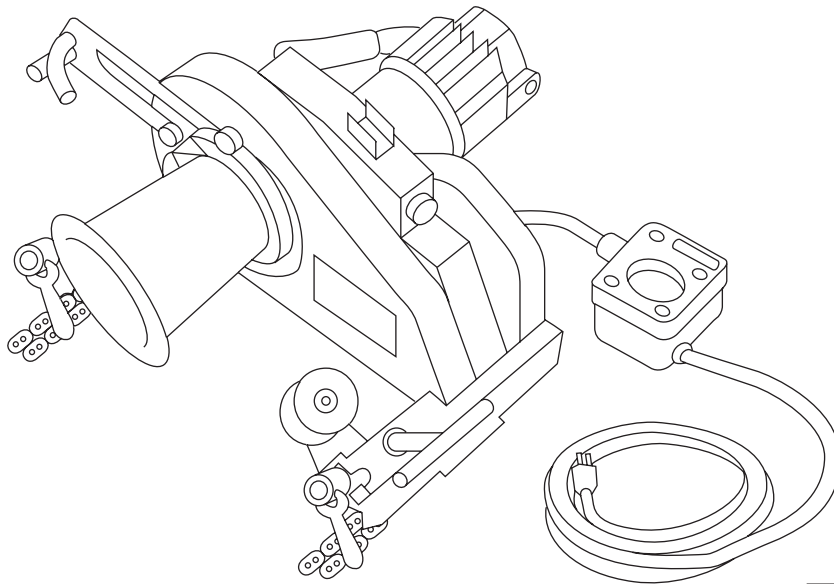


# INSTRUCTION MANUAL



Español..... 29  
Français..... 57

## 6000-Series Super Tugger<sup>®</sup> Cable Pullers

Effective with Serial Code YF 2000 for 115 Volt Pullers  
and Serial Code ACN for 220 Volt Pullers



**Read and understand** all of the instructions and safety information in this manual before operating or servicing this tool.

## Table of Contents

Description .....	2
Safety .....	2
Purpose of this Manual .....	2
Important Safety Instructions .....	3-5
Grounding Instructions .....	6
Identification .....	7
Specifications .....	7
Cable Pulling Glossary .....	8
Cable Pulling Principles.....	9-17
Cable Pulling Systems.....	9
Pulling Theory .....	10
Cable Pulling Forces.....	11-15
Tailing the Rope .....	16
Summary of Cable Pulling Principles.....	17
Planning the Pull.....	17
Typical Setups .....	18-20
Setup and Operation .....	21-22
Removing Cable .....	23
Dual Pulling .....	24
Maintenance.....	25-27
Troubleshooting.....	28
Exploded Views and Parts Lists.....	85-95
Wiring Diagrams .....	96-97

## Description

The Greenlee Super Tugger® cable puller is intended to be used to pull cable through conduit and in tray. The Super Tugger will develop 28.9 kN (6500 lb) of pulling force. See a Greenlee catalog for sheaves, pulling rope, and other cable pulling accessories rated for use with the Super Tugger to create an entire cable pulling system.

No single manual can provide instructions for every cable pulling application. This manual contains general information for pulling cable. Illustrations of some typical setups are also provided.

## Safety

Safety is essential in the use and maintenance of Greenlee tools and equipment. This instruction manual and any markings on the tools provide information for avoiding hazards and unsafe practices related to use of this tool. Observe all of the safety information provided.

## Purpose of this Manual

This manual is intended to familiarize all personnel with the safe operation and maintenance procedures for the Greenlee 6000-Series Super Tugger® cable pullers.

Keep this manual available to all personnel.

Replacement manuals are available upon request at no charge at [www.greenlee.com](http://www.greenlee.com).

All specifications are nominal and may change as design improvements occur. Greenlee Tools, Inc. shall not be liable for damages resulting from misapplication or misuse of its products. Super Tugger is a registered trademark of Greenlee Tools, Inc. Mobilgrease is a registered trademark of Mobil Oil Corporation.

***KEEP THIS MANUAL***

## IMPORTANT SAFETY INFORMATION



### SAFETY ALERT SYMBOL

This symbol is used to call your attention to hazards or unsafe practices which could result in an injury or property damage. The signal word, defined below, indicates the severity of the hazard. The message after the signal word provides information for preventing or avoiding the hazard.

#### ⚠ **DANGER**

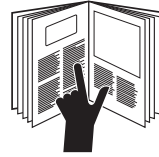
Immediate hazards which, if not avoided, **WILL** result in severe injury or death.

#### ⚠ **WARNING**

Hazards which, if not avoided, **COULD** result in severe injury or death.

#### ⚠ **CAUTION**

Hazards or unsafe practices which, if not avoided, **MAY** result in injury or property damage.



#### ⚠ **DANGER**

Read and understand all of the instructions and safety information in this manual before operating or servicing this tool.

Failure to observe this warning will result in severe injury or death.



#### ⚠ **DANGER**

Do not operate the cable puller in a hazardous environment. Hazards include flammable liquids and gases.

Failure to observe this warning will result in severe injury or death.



#### ⚠ **WARNING**


Electric shock hazard:


Disconnect the cable puller from the power supply before servicing.


Failure to observe this warning could result in severe injury or death.

*Note: Keep all decals clean and legible, and replace when necessary.*

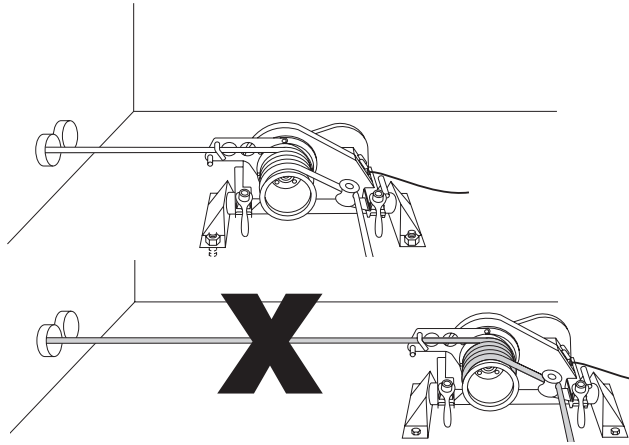
## IMPORTANT SAFETY INFORMATION

	<b>⚠ WARNING</b>
<p>Inspect all components of the cable pulling system. Verify the maximum load-bearing capacity or maximum strength of all structural supports, pulling system components and anchoring systems before setting up the puller. Any component that cannot withstand the maximum cable pulling forces may break and strike nearby personnel with great force.</p> <p>Failure to observe this warning could result in severe injury or death.</p>	

	<b>⚠ WARNING</b>
<p>Do not allow anything other than the pulling rope to contact the capstan. A grip, swivel, or other component could break and strike nearby personnel with great force.</p> <p>Failure to observe this warning could result in severe injury or death.</p>	

	<b>⚠ WARNING</b>
<p>Do not stand directly under a vertical pull. Cable could fall suddenly from the conduit, injuring nearby personnel.</p> <p>Failure to observe this warning could result in severe injury or death.</p>	

<b>⚠ WARNING</b>
<p>Do not operate puller if the anti-reverse mechanism is not working. If you do not hear the clicking of the anti-reversing pawl when the capstan is rotating, shut the puller off and have it repaired by an authorized Greenlee service center.</p> <p>Failure to observe this warning could result in severe injury or death.</p>

<b>⚠ WARNING</b>
<p>Locate the puller so that it is close to the conduit. Rope, cable, or connectors can break under tension, causing the rope to whip violently.</p> <p>Failure to observe this warning can result in severe injury or death.</p>


<b>⚠ WARNING</b>
<p>An under-rated rope may break and whip violently. Use a double-braided composite rope with the following characteristics:</p> <ul style="list-style-type: none"> <li>• Maximum Rated Capacity: at least 28.9 kN (6500 lb)</li> <li>• Average Breaking Strength: at least 115.6 kN (26,000 lb)</li> </ul> <p>Failure to observe this warning could result in severe injury or death.</p>

<b>⚠ WARNING</b>
<ul style="list-style-type: none"> <li>• Check the condition of the entire rope before use. A worn or damaged rope can break under tension and whip violently.</li> <li>• Do not maintain a stationary rope on a rotating capstan. The wear generated may cause the rope to break under tension and whip violently.</li> </ul> <p>Failure to observe these warnings could result in severe injury or death.</p>

## IMPORTANT SAFETY INFORMATION

### ⚠ WARNING

Attach the pulling rope to the cable with appropriate types of connectors as described in this manual. Select connectors with a maximum-rated capacity of at least 28.9 kN (6500 lb). An under-rated connector can break under tension.

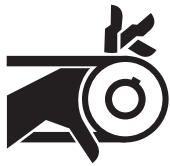
Failure to observe this warning could result in severe injury or death.



### ⚠ WARNING

Do not operate without chain guards in place.

Failure to observe this warning could result in severe injury or death.



### ⚠ WARNING

Keep hands away from the capstan. Rope at the capstan can crush a hand.

Failure to observe this warning could result in severe injury or death.

### ⚠ WARNING

Use this tool for manufacturer's intended purpose only. Do not use the cable puller as a hoist or winch.

- The cable puller cannot lower a load.
- The load may fall.

Failure to observe this warning could result in severe injury or death.



### ⚠ WARNING

Do not wrap rope around hands, arms, waist, or other body parts. Do not stand in spent coils or tailed rope. Hold rope so that it may be released quickly.

Failure to observe this warning could result in severe injury or death.

### ⚠ WARNING

Inspect puller and accessories before use. Replace any worn or damaged components with Greenlee replacement parts. A damaged or improperly assembled item can break and strike nearby personnel with great force.

Failure to observe this warning could result in severe injury or death.

### ⚠ WARNING

Rope, cable, or a connecting device can break under tension, causing the rope to whip violently.

- Do not allow any unnecessary personnel to remain in the area during the pull.
- Do not allow any personnel to stand in line with the pulling rope.

Failure to observe these warnings can result in severe injury or death.

### ⚠ WARNING

Entanglement hazard:

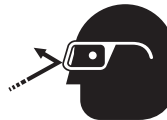
- Do not operate the cable puller while wearing loose-fitting clothing.
- Retain long hair.

Failure to observe these warnings could result in severe injury or death.

### ⚠ WARNING

Do not allow the rope to become overlapped on the capstan. If an overlap begins to develop, relax the tailing force immediately and shut off the cable puller.

Failure to observe this warning could result in severe injury or death.




### ⚠ WARNING

Wear eye protection when using this tool.


Failure to wear eye protection could result in severe eye injury from flying debris.

## Grounding Instructions

### 120 Volt Model

	<b>⚠ WARNING</b>
	<p>Electric shock hazard.</p> <ul style="list-style-type: none"> <li>• Do not modify the plug provided with the tool.</li> <li>• Connect this tool to a grounded receptacle on a 20-amp GFCI-protected circuit.</li> </ul> <p>Failure to observe these warnings could result in severe injury or death.</p>

### 220 Volt Model

	<b>⚠ WARNING</b>
	<p>Electric shock hazard.</p> <ul style="list-style-type: none"> <li>• Do not modify the plug provided with the tool.</li> <li>• Connect this tool to a grounded receptacle on a 10-amp GFCI-protected circuit.</li> </ul> <p>Failure to observe these warnings could result in severe injury or death.</p>

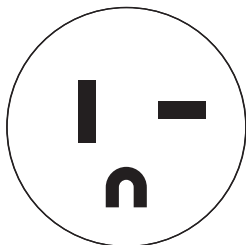
This tool must be grounded. In the event of a malfunction or breakdown, an electrical ground provides a path of least resistance for the electric current. This path of least resistance is intended to reduce the risk of electric shock.

This tool's electric cord has a grounding conductor and a grounding plug as shown. Do not modify the plug. Connect the plug to a corresponding receptacle that is properly installed and grounded in accordance with all national and local codes and ordinances. Do not use an adapter.

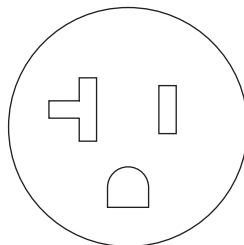
This tool must be grounded. In the event of a malfunction or breakdown, an electrical ground provides a path of least resistance for the electric current. This path of least resistance is intended to reduce the risk of electric shock.

This tool's electric cord has a grounding conductor and a grounding plug as shown. Do not modify the plug. Connect the plug to a corresponding receptacle that is properly installed and grounded in accordance with all national and local codes and ordinances. Do not use an adapter.

#### 20 Amp/125 Volt Plug and Receptacle

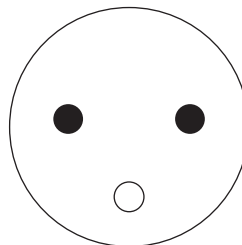


**Plug**

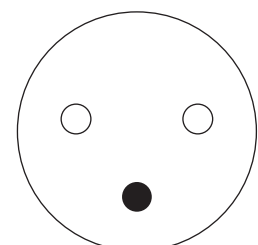


**Receptacle**

#### 10 Amp/250 Volt Plug and Receptacle



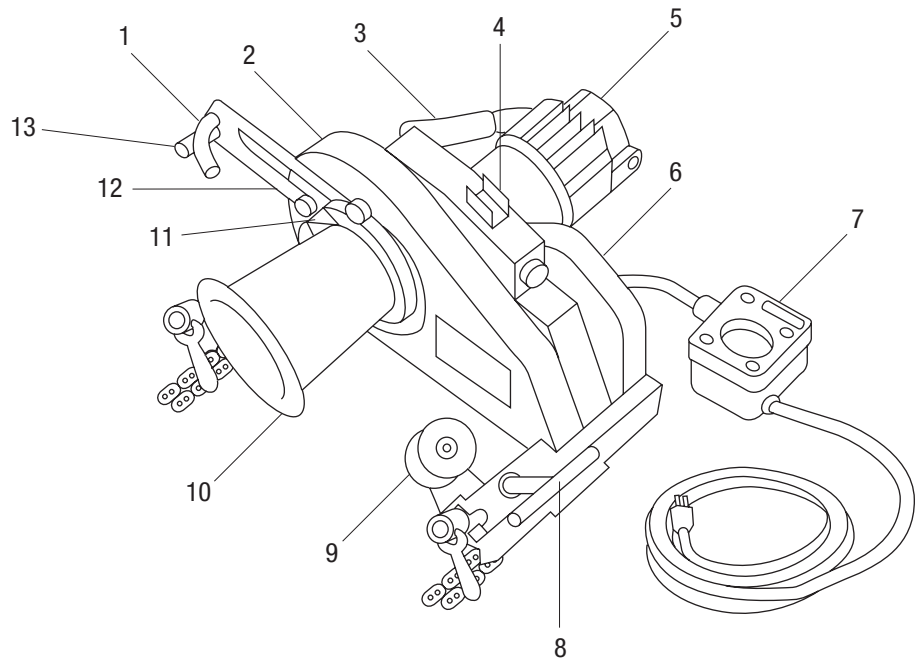
**Plug**



**Receptacle**

## Identification

1. Entrapment Peg
2. Capstan Chain Guard
3. Handle
4. Guarded ON/OFF Switch and Circuit Breaker
5. Motor
6. Motor Chain Guard
7. Force Gauge with ON/OFF Switch
8. Handle/Cleat
9. Right-Angle Idler Sheave
10. Tapered Capstan
11. Rope Ramp
12. Pivoting Capstan Arm
13. Positioning Peg



## Specifications

Weight ..... 41.7 kg (92 lb)

**Dimensions:**

Length ..... 52.7 cm (20-3/4")

Width ..... 57.2 cm (22-1/2")

Height ..... 30.5 cm (12")

**Power (120 Volt Model):**

Voltage ..... 120 VAC, 60 Hz

Current ..... 17 amps

Source ..... 20 amp GFCI-protected circuit

**Power (220 Volt Model):**

Voltage ..... 220 VAC, 50 Hz

Current ..... 7.5 amps

Source ..... 15 amp GFCI-protected circuit

Maximum Pulling Force ..... 28.9 kN (6500 lb)

**Speed:**

No Load ..... 5 m/min (16.5 ft/min)

8900 N (2000 lb) ..... 3.4 m/min (11 ft/min)

17.8 kN (4000 lb) ..... 2.3 m/min (7.5 ft/min)

**Duty Cycle:**

0–22.2 kN (0–5000 lb) ..... Continuous operation

22.2–24.5 kN (5000–5500 lb)  
(alarm will sound) ..... 15 minutes on/15 minutes off

24.5–28.9 kN (5500–6500 lb)  
(alarm will sound) ..... 5 minutes on/15 minutes off

**Pulling Rope:**

Average Breaking Strength ..... 115.6 kN (26,000 lb)  
minimum

## Cable Pulling Glossary

### **anchoring system**

any item or group of items that keeps a cable pulling component in place during the cable pull

### **capstan**

the hollow cylinder of the cable puller that acts on the pulling rope to generate pulling force

### **coefficient of friction**

the ratio that compares two amounts of force: (1) the force needed to move an object over a surface and (2) the force holding the object against the surface

This ratio is used to describe how the capstan and the rope work together.

### **connector**

any item, such as a wire grip, clevis, swivel, or pulling grip, that connects the rope to the cable

### **direct line of pull**

the areas next to the pulling rope and along its path; this includes the areas in front of, in back of, and underneath the rope

### **maximum rated capacity**

the amount of pulling tension that any component can safely withstand, rated in kilonewtons (metric) or pounds; the maximum rated capacity of every component must meet or exceed the maximum pulling force of the cable puller

### **Newton**

a metric unit of force, equivalent to 0.225 pounds of force

### **pipe adapter sheave**

attaches to conduit for pulling or feeding cable

### **pulling grip**

connects the rope to the cable; consists of a wire mesh basket that slides over the cable and grips the insulation

### **pulling force**

the amount of pulling tension developed by the cable puller, rated in newtons (metric) or pounds; a cable puller is usually described by the maximum pulling force that it can develop

### **resultant force**

any force that is produced when two or more forces act on an object; applies to the sheaves of a cable pulling system

### **rope ramp**

a device that works with a tapered capstan; guides the rope onto the capstan to prevent rope overlap

### **sheave**

a pulley that changes the direction of the rope and cable

### **stored energy**

the energy that accumulates in the pulling rope as it stretches, described in newton-meters (metric) or foot-pounds

### **support structure**

any stationary object that a cable pulling system component is anchored to, such as a concrete floor (for the floor mount) or an I-beam (for a sheave)

### **tail**

the portion of the rope that the operator applies force to; this is the rope coming off of the capstan, and is not under the tension of the pull

### **tailing the rope**

the operator's main function; this is the process of applying force to the tail of the pulling rope—see the complete explanation under Principles of Cable Pulling

### **wire grip**

connects the rope to the cable; some use a set screw to clamp onto the conductors of the cable



## Cable Pulling Principles

Pulling cable is a complex process. This section of the manual describes and explains four main topics of pulling cable:

- each cable pulling system component
- how these components work together
- forces that are generated
- procedures for the cable puller operator to follow

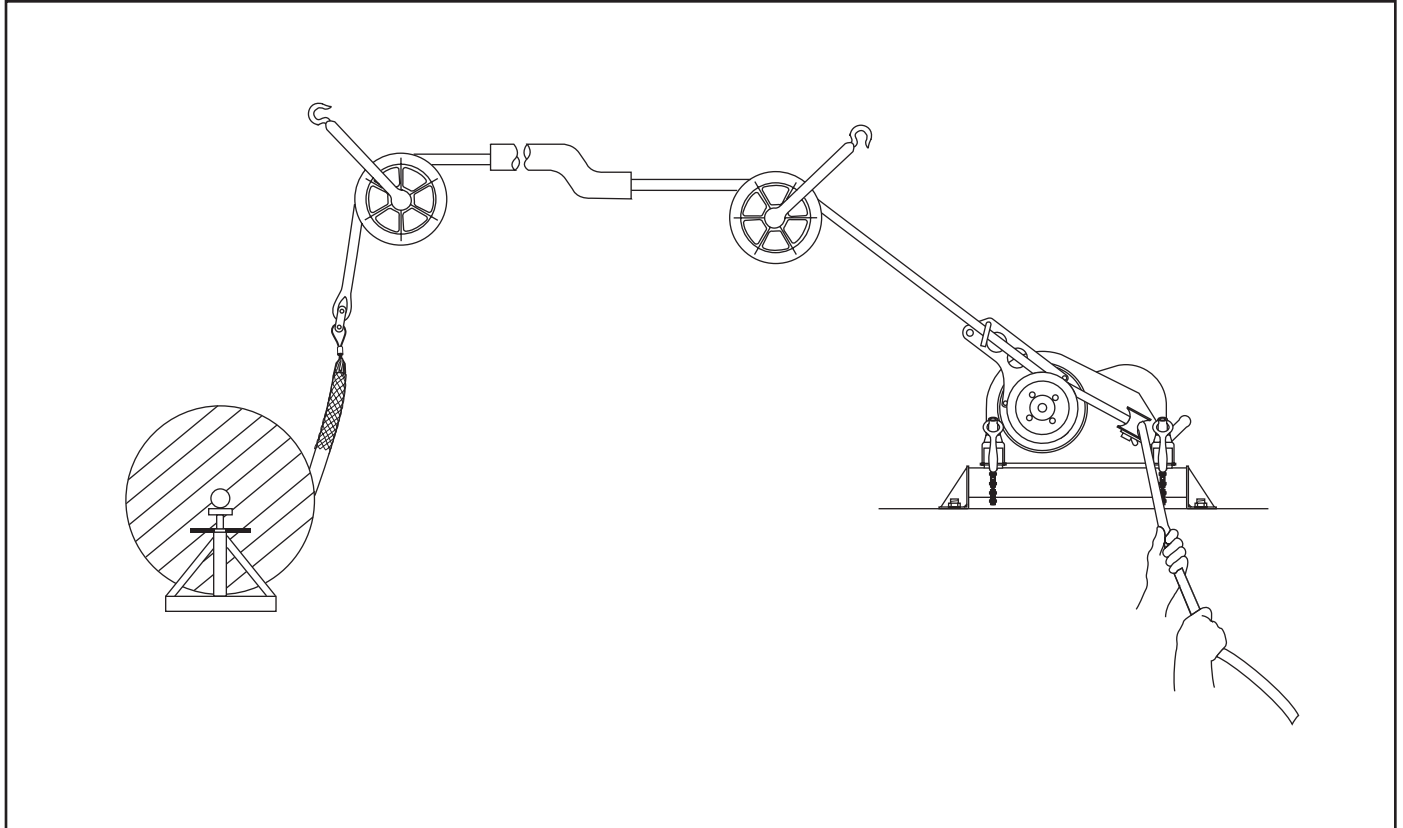
While reading through this section of the manual, look for components that are shaded in the illustrations. The shading indicates components that are associated with the text.

Greenlee strongly recommends that each member of the cable pulling crew review this section of the manual before each cable pull.

## Cable Pulling Systems

Pulling cable requires a system of components. At a minimum, a cable pulling system will include a cable puller, a cable pulling rope, and connectors to join the rope to the cable. Most systems will also include, but are not limited to, a cable puller anchoring system, pulling sheaves and sheave anchoring systems.

The cable puller has a maximum amount of *pulling force*, which is the amount of pulling tension that it develops. Every other component of the pulling system has a maximum rated capacity, which is the amount of pulling tension that it can withstand. The *maximum rated capacity* of every component must meet or exceed the cable puller's maximum pulling force.



**Typical Cable Pulling System**

## Cable Pulling Principles (cont'd)

### Pulling Theory

This section introduces the main ideas involved with pulling cable.

### Pulling Resistance

The cable puller must overcome two types of resistance: gravity and friction.

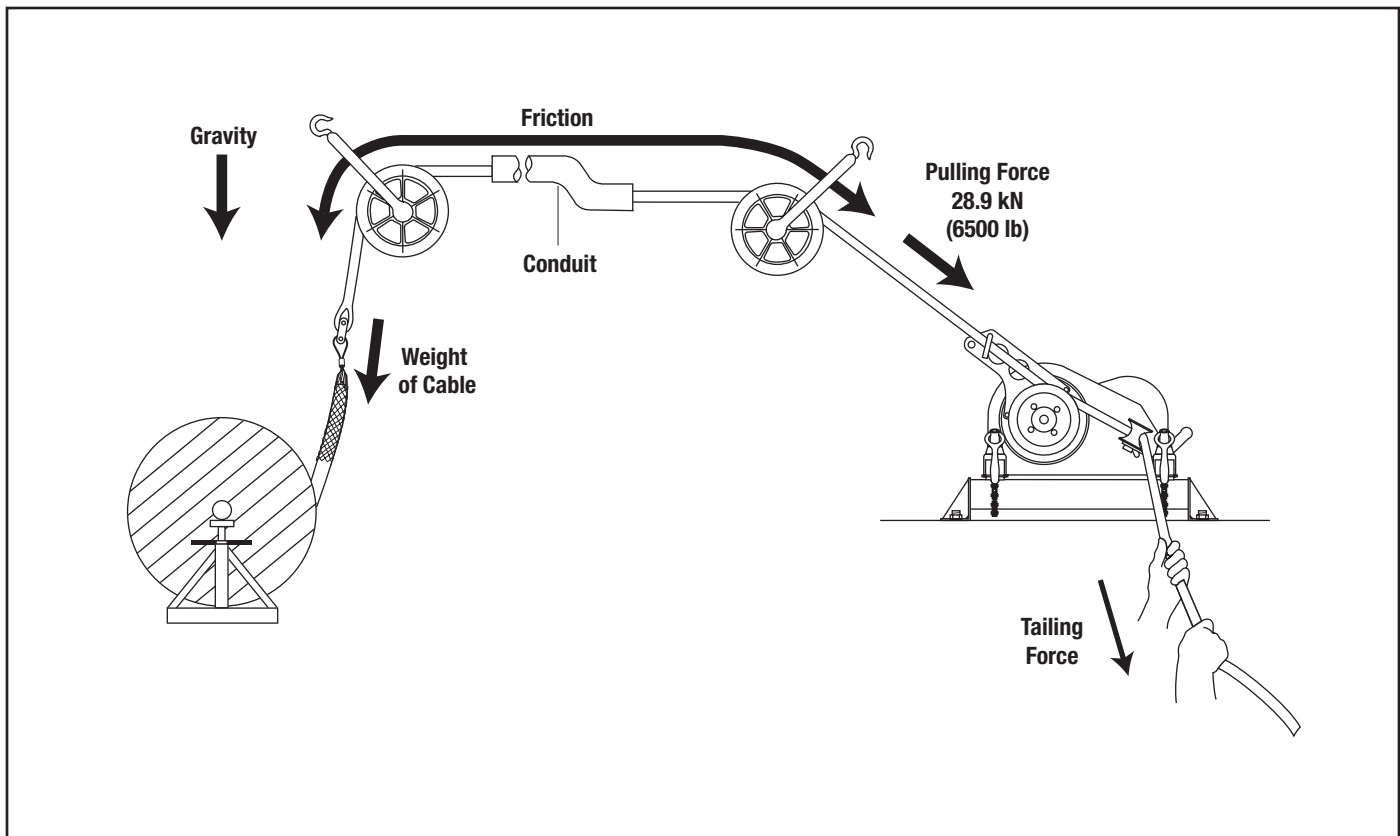
Gravity constantly exerts its force on the vertical portions of the run. When the pulling force is relaxed, gravity attempts to pull the cable downward. Friction develops where the cable contacts the sheaves, conduit and tray. Friction resists any movement, forward or backward, and tends to hold the cables in place.

To accomplish a cable pull, the cable pulling system must develop more force than the combination of gravity and friction.

### Generating Pulling Force

To generate pulling force, the capstan works as a *force multiplier*. The operator exerts a small amount of force on the rope. The cable puller multiplies this and generates the pulling force.

This pulling force is applied to the rope, connectors, and cable in order to accomplish the pull. The direction of force is changed, where necessary, with pulling sheaves.



**Cable Pulling Theory Illustrated**

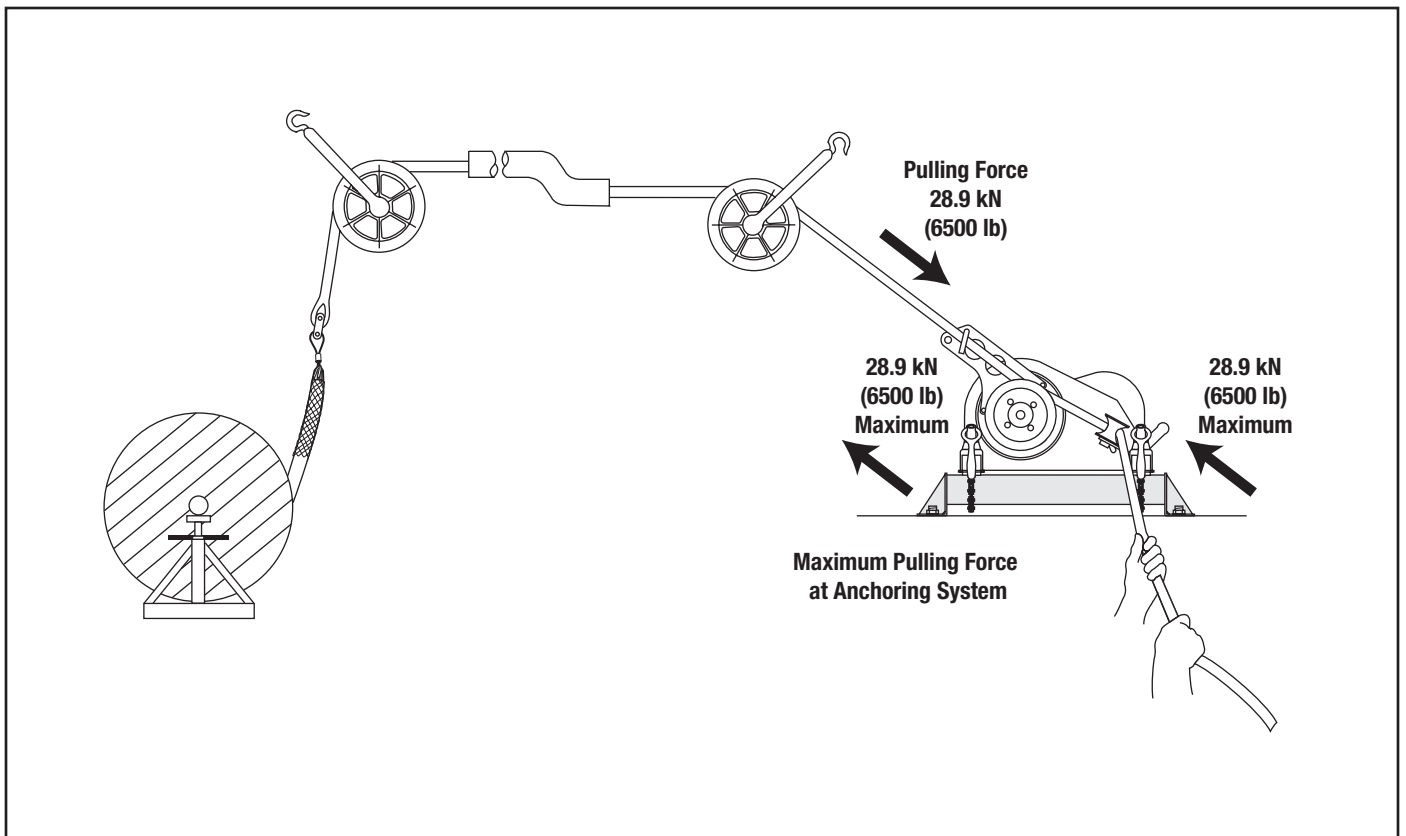
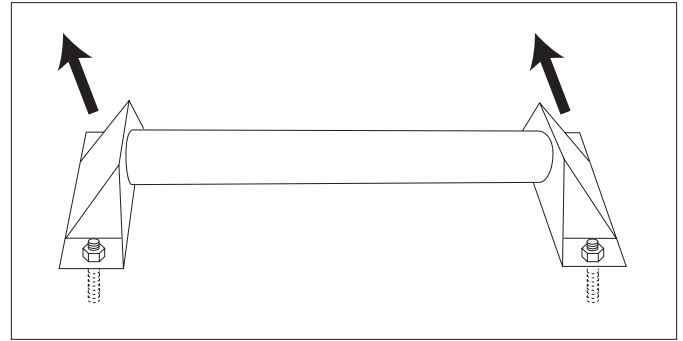
**Cable Pulling Principles (cont'd)**

**Cable Pulling Forces**

This section provides detailed explanations and illustrations of the forces that are generated during the cable pull. These explanations are based on the concepts presented in the last section, Pulling Theory.

**At the Cable Puller Anchoring System**

The cable puller will exert its maximum pulling force on cable puller's anchoring system. It is extremely important the anchoring system can withstand this amount of force. Refer to "Typical Setup: Floor Mount" for proper setup or installation.



**Pulling Force at the Cable Puller's Anchoring System**

## Cable Pulling Principles (cont'd)

### Cable Pulling Forces (cont'd)

#### At the Capstan

The capstan acts as a *force multiplier*. The operator exerts a small amount of tension, or tailing force, on the rope; the capstan multiplies this force to pull the cable. The resultant force depends upon the number of times the rope is wrapped around the capstan, as shown in the formula below.

$$\text{Pulling Force} = \text{Tailing Force} \times e^{0.0175\mu\theta}$$

Where:  $e$  = the natural logarithm, or 2.7183

$\mu$  = the coefficient of friction between the rope and the capstan\*

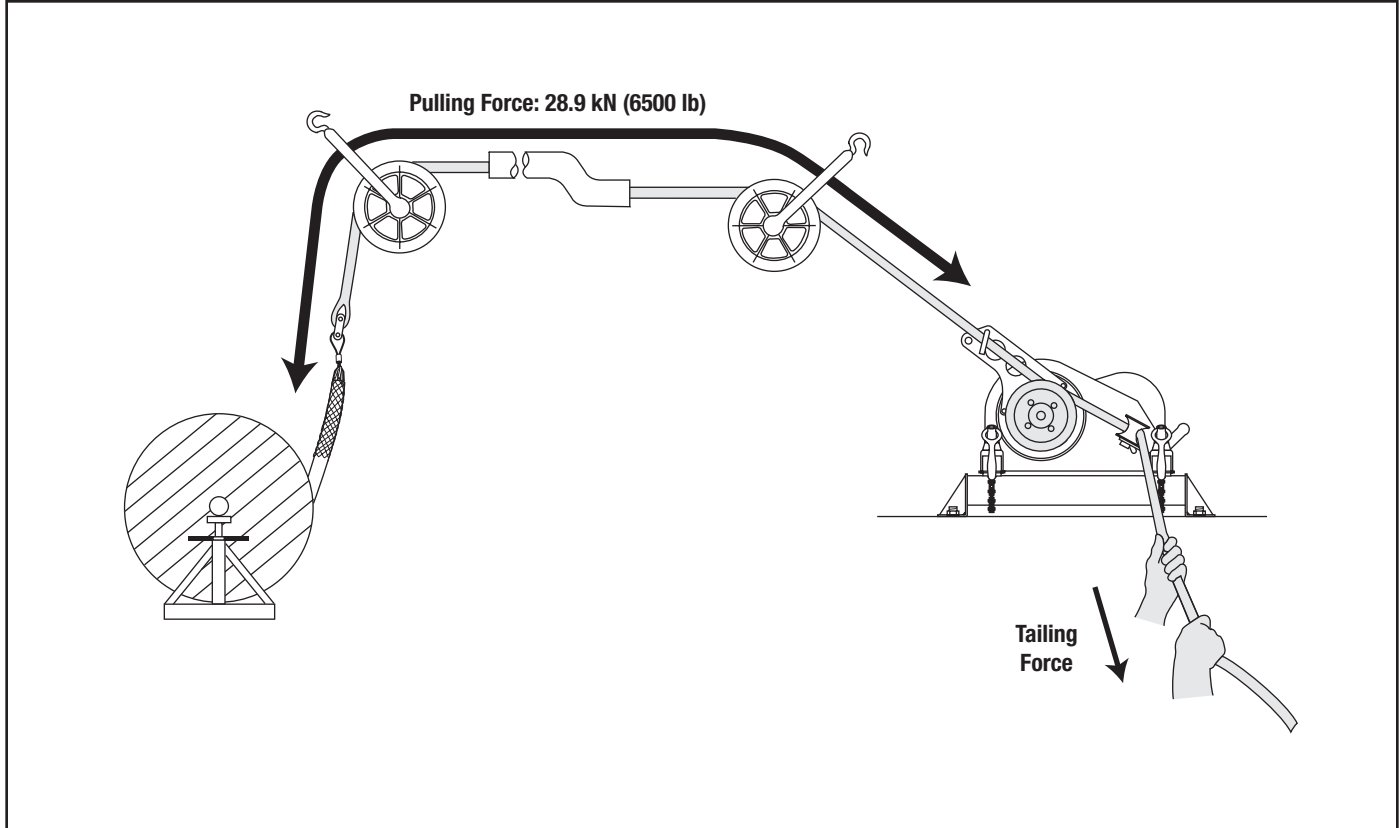
$\theta$  = the number of degrees of wrap of rope around the capstan

\* The average value for the coefficient of friction when double-braided composite rope is pulled over a clean dry capstan is 0.125.

The following table is based on the formula above. The input, or tailing force, is constant at 44.5 N (10 lb). Increasing the number of wraps increases the pulling force.

Operator's Tailing Force	Number of Wraps of Rope	Approximate Pulling Force
44.5 N (10 lb)	1	93.4 N (21 lb)
	2	213.5 N (48 lb)
	3	474.9 N (106 lb)
	4	1043.8 N (233 lb)
	5	2293.7 N (512 lb)
	6	5048.9 N (1127 lb)
	7	11.1 kN (2478 lb)

This table shows how the capstan acts as a force multiplier. Because the coefficient of friction depends upon the condition of the rope and capstan, this formula cannot determine an exact amount of pulling force.



**The Capstan as a Force Multiplier**

## Cable Pulling Principles (cont'd)

### Cable Pulling Forces (cont'd)

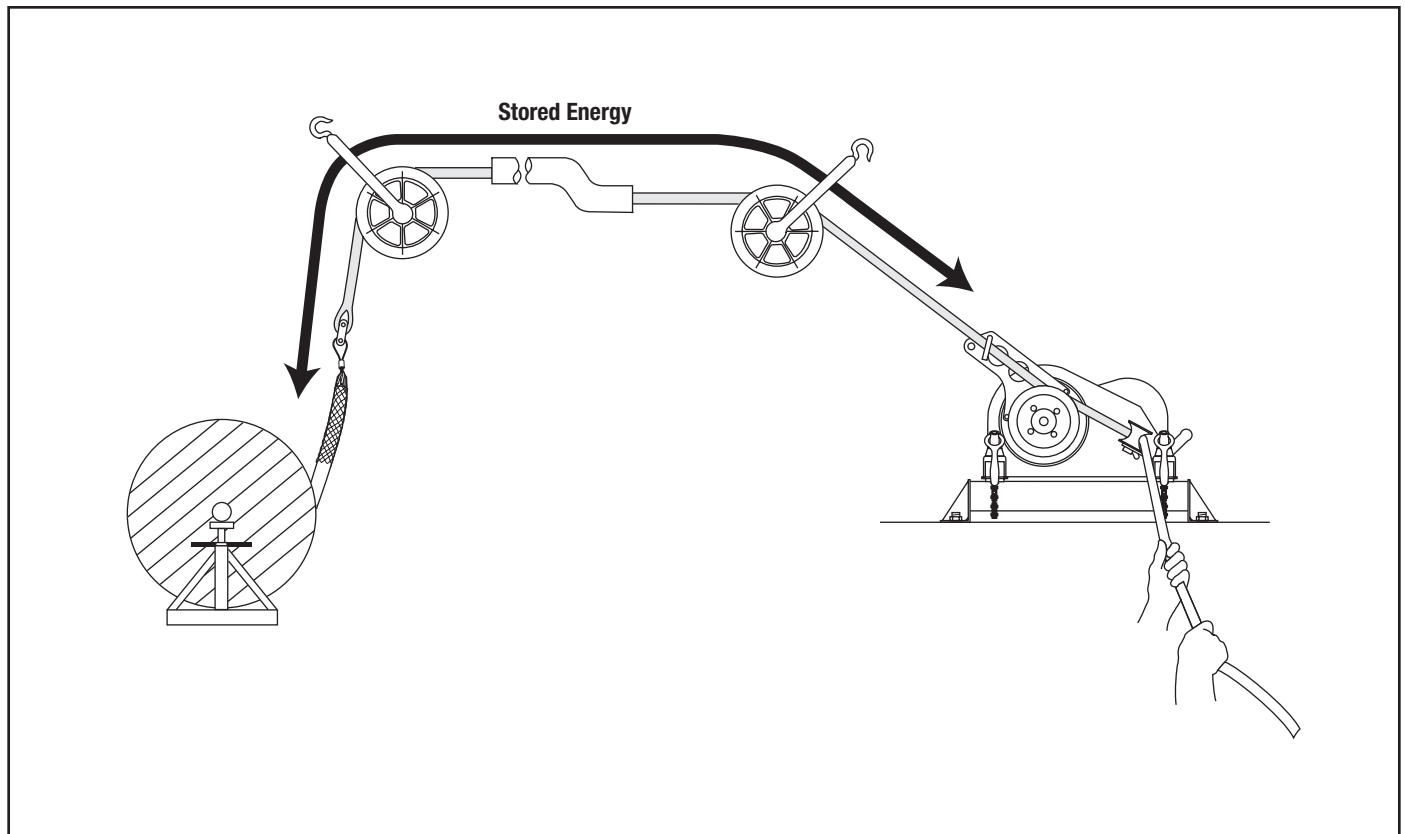
#### At the Pulling Rope

The product of a force (f) moving through a distance (d) is energy (f x d), and may be measured in newton-meters or foot-pounds. Energy is stored in a rope when the rope is stretched. This is similar to the way energy is stored in a rubber band when it is stretched. Failure of the rope or any other component of the pulling system can cause a sudden uncontrolled release of the energy stored in the rope.

For example, a 100-meter nylon rope with a 50,000 newton average breaking strength could stretch 40 meters and store 1,000,000 joules of energy. This is enough energy to throw a 900-kilogram object, such as a small automobile, 113 meters into the air.

A similar double-braided composite rope could store approximately 300,000 joules of energy. This could throw the same object only 34 meters into the air. The double-braided composite rope stores much less energy and has much less potential for injury if it were to break.

Double-braided composite rope is the only type of rope recommended for use with the Super Tugger cable puller. Select a double-braided composite rope with an average rated breaking strength of at least 115.6 kN (26,000 lb).



**Stored Energy**

## Cable Pulling Principles (cont'd)

### Cable Pulling Forces (cont'd)

#### At the Connectors

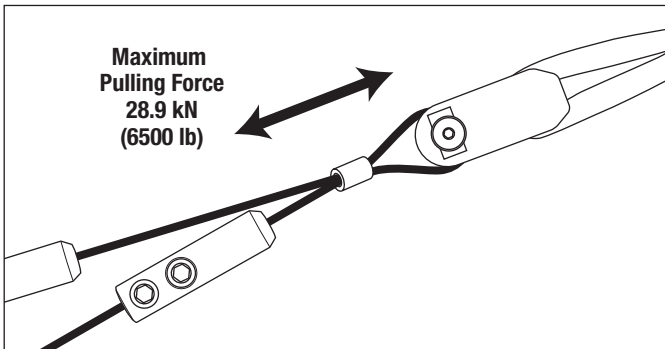
The connectors will be subjected to the cable puller's maximum pulling force.

Several types of rope connectors—clevises, swivels, and rope-to-swivel connectors—are available. Follow the instructions provided with each to provide a good connection.

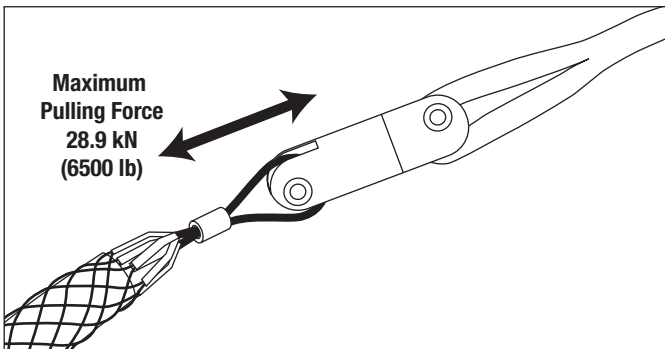
Two types of wire connectors—wire grips and pulling grips—are available. The wire grip uses a set screw to clamp onto the conductors of the cable. The pulling grip consists of a wire mesh basket that slides over the cable and grips the insulation.

When selecting a pulling grip, it is extremely important to select a grip of the correct (1) type, (2) size, and (3) maximum rated capacity.

1. Select the correct type based on the descriptions of each type in the Greenlee catalog.
2. Measure the circumference of the wire bundle. (To do this accurately, fasten a tie strap around the bundle. Cut off and discard the tail. Then cut the tie strap and measure its length.) Use the table provided to find the correct size.
3. See the maximum rated capacities in the Greenlee catalog.



**A Typical Grip Setup—Clevis and Wire Grip**



**A Typical Grip Setup—Swivel and Pulling Grip**

### Pulling Grip Size Table

Circumference Range		Required Grip Diameter	
inch	mm	inch	mm
1.57–1.95	39.9–49.5	0.50–0.61	12.7–15.5
1.95–2.36	49.5–59.9	0.62–0.74	15.8–18.8
2.36–3.14	59.9–79.8	0.75–0.99	19.1–25.1
3.14–3.93	79.8–99.8	1.00–1.24	25.4–31.5
3.93–4.71	99.8–119.6	1.25–1.49	31.8–37.8
4.71–5.50	119.6–139.7	1.50–1.74	38.1–44.2
5.50–6.28	139.7–159.5	1.75–1.99	44.5–50.5
6.28–7.85	159.5–199.4	2.00–2.49	50.8–63.2
7.85–9.42	199.4–239.3	2.50–2.99	63.5–75.9
9.42–11.00	239.3–279.4	3.00–3.49	76.2–88.6
11.00–12.57	279.4–319.3	3.50–3.99	88.9–101.3
12.57–14.14	319.3–359.2	4.00–4.49	101.6–114.0
14.14–15.71	359.2–399.0	4.50–4.99	114.3–126.7

## Cable Pulling Principles (cont'd)

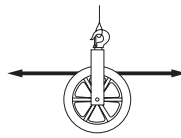
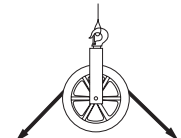
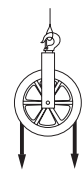
### Cable Pulling Forces (cont'd)

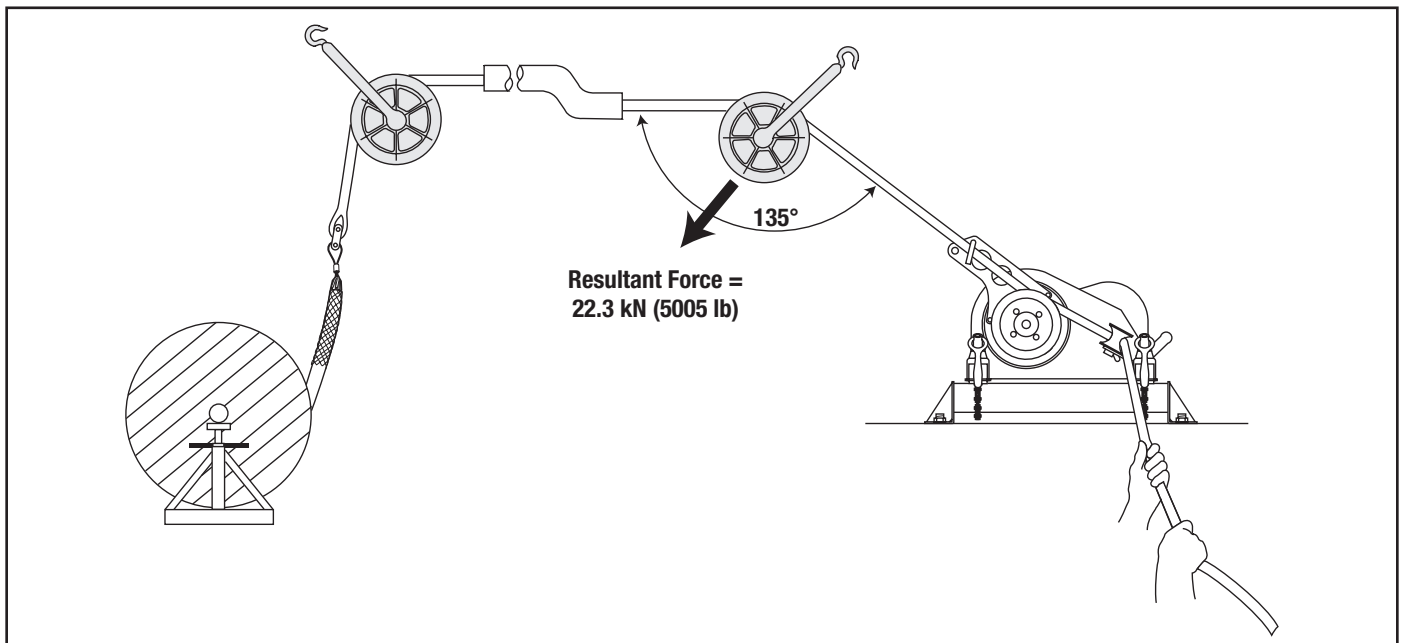
#### At the Sheaves

Sheaves are used to change the direction of the pull. A change in direction creates a new *resultant force* that may be *greater than* the cable puller's maximum pulling force. This new resultant force exerts itself on the sheaves, sheave anchoring system, and support structures illustrated.

The resultant amount of force depends on the angle of the change in direction. A brief table is provided here; for more details, see IM 1363 (99929988).

**Resultant Force Table for the Super Tugger  
(28.9 kN or 6500 lb Maximum Pulling Force)**

Illustration	Angle of Change in Direction	R
	180°	0 (0)
	150°	15 (3380)
	135°	22.3 (5005)
	120°	28.9 (6500)
	90°	40.8 (9165)
	60°	50.0 (11,245)
	45°	53.5 (12,025)
	30°	55.8 (12,545)
	0°	57.8 (13,000)



**Typical Resultant Force at Sheave**

## Cable Pulling Principles (cont'd)

### Tailing the Rope

The rope must be pulled off of the capstan as the pull progresses. The rope that has left the capstan is the “tail.” The process of pulling the rope off of the capstan is called *tailing the rope*.

The resistance of the cable varies throughout the duration of the cable pull. Changes in resistance are due to characteristics of the rope, changes in conduit direction, and changes in the amount of friction. The “feel” of the rope provides this information about the pull. This is called *tactile feedback*. Adjust the tailing force as necessary to compensate for these changes.

### Control of the Pull

Decreasing the tailing force will decrease the pulling force, until the rope slips on the capstan and the pull stops. This provides a high level of control over the progress of the cable pull.

Do not allow the rope to slip on the capstan for more than a few moments. If it becomes necessary to completely stop a pull, shut off the puller and maintain enough tailing force to hold cable in place. Tie the rope off to hold it in place. Use the rope tie-off to hold it in place.

### Amount of Tailing Force

While the rope and cable are under tension, it is important to maintain the proper amount of tailing force.

*Too little* tailing force will allow the rope to slip on the capstan. This will build up excessive heat and accelerate rope wear, increasing the possibility of breaking the rope.

The proper amount of tailing force will stop the rope from slipping on the capstan and produce a sufficient amount of pulling force to pull in the rope and cable.

*Too much* tailing force is any amount more than is necessary to stop the rope from slipping on the capstan. Excessive tailing force will not increase the pulling force or pulling speed.

### Number of Wraps of Rope Around the Capstan

An experienced operator should choose the number times the rope is wrapped around the capstan.

The proper number of wraps allows the operator to control the progress of the pull with a comfortable amount of effort.

Using *too few* wraps requires a large tailing force to accomplish the pull. Using too few wraps also makes the rope more likely to slip on the capstan. This builds up heat and accelerates rope wear.

Using *too many* wraps causes the rope to grab the capstan tighter. This accelerates rope wear, wastes power, and increases the possibility of a rope overlap. Using too many wraps also reduces tactile feedback, so you receive less information about the pull. You cannot quickly relax the tailing force when there are too many wraps.

If the rope becomes difficult to tail, add another wrap of rope. Turn off the puller and release all of the tension in the rope. Add a wrap and resume pulling. Be aware, however, that some pulls will require tension to hold the cables in place. In these cases, do not attempt to release all of the tension and add a wrap of rope. You will need to anticipate the number of wraps before starting the pull.

### Preventing Rope Overlap

Do not allow the rope to become overlapped on the capstan during a pull.

A rope overlap will make it will impossible to continue or back out of the pull.

If the rope becomes overlapped, you will lose control of the pull—the rope will advance with no tailing force and will not feed off of the capstan. The capstan will not allow you to reverse the direction of the rope, so you cannot back out of an overlap.

Set up the puller properly. The rope ramp and tapered capstan are intended to prevent rope overlap. See the instructions in the Operation section of this manual.

Every wrap of the rope must remain in direct contact with the capstan. During the pull, take great care to prevent the incoming rope from riding up and overlapping the next wrap. If an overlap begins to develop, immediately relax the tailing force on the rope so that the rope can feed back toward the conduit or tray. When the rope resumes its normal path, apply tailing force and continue the pull.

There is no suggested remedy for a rope overlap.

**Do not allow the rope to overlap!**



## Cable Pulling Principles (cont'd)

### Summary of Cable Pulling Principles

- A cable pulling system consists of many components that work together to accomplish a pull.
- The cable puller is rated by its maximum pulling force; every other component is rated by its maximum rated capacity. The maximum rated capacity of every component must meet or exceed the maximum pulling force of the cable puller.
- The cable puller must overcome two types of resistance: gravity and friction. The puller's capstan, the pulling rope, and the operator tailing the rope work together to produce pulling force.
- The cable puller exerts force on every component of the cable pulling system, including the anchoring systems and the support structures.
- Energy is stored in a rope when the load causes the rope to stretch. Failure of the rope or any other component can cause a sudden release of energy. Replace any rope that is worn or damaged.
- Carefully select the number or wraps of rope around the capstan before starting the pull.
- Control the pull by tailing the rope. Be familiar with the interaction of the rope and capstan.
- Do not allow a rope overlap to develop.

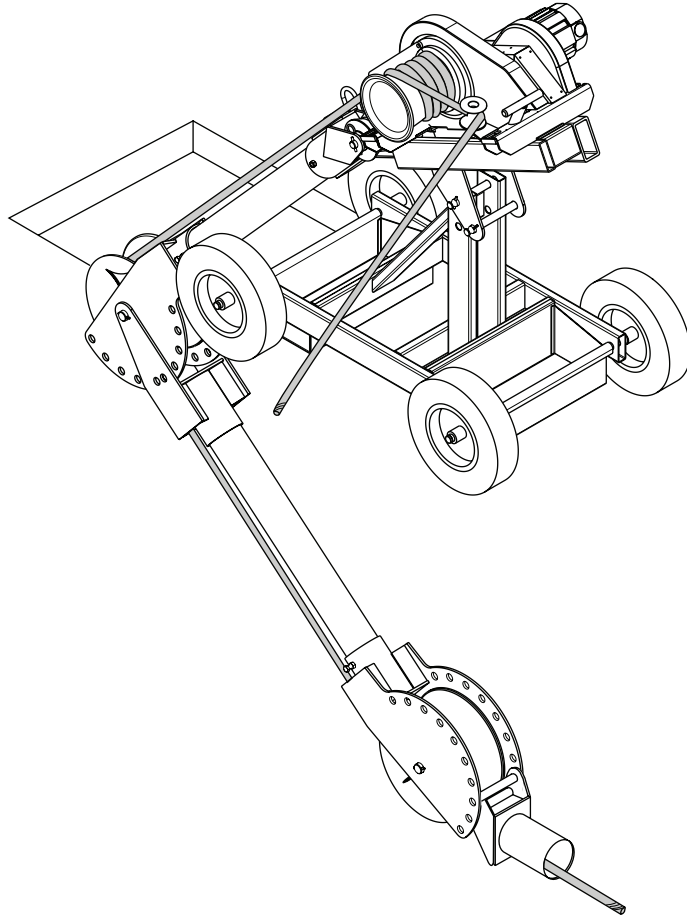
## Planning the Pull

- Pull in a direction that will require the lowest amount of pulling force.
- Plan several shorter pulls rather than fewer longer pulls.
- Locate the puller as close to the end of the conduit as possible to minimize the amount of exposed rope under tension.
- Place each component so that the pulling forces are used effectively.
- Select an anchoring system: adapter sheaves, which are preferred, or the floor mount.
- Verify that each component has the proper load rating.
- Inspect the structural supports. Verify that they have enough strength to withstand the maximum forces that may be generated.

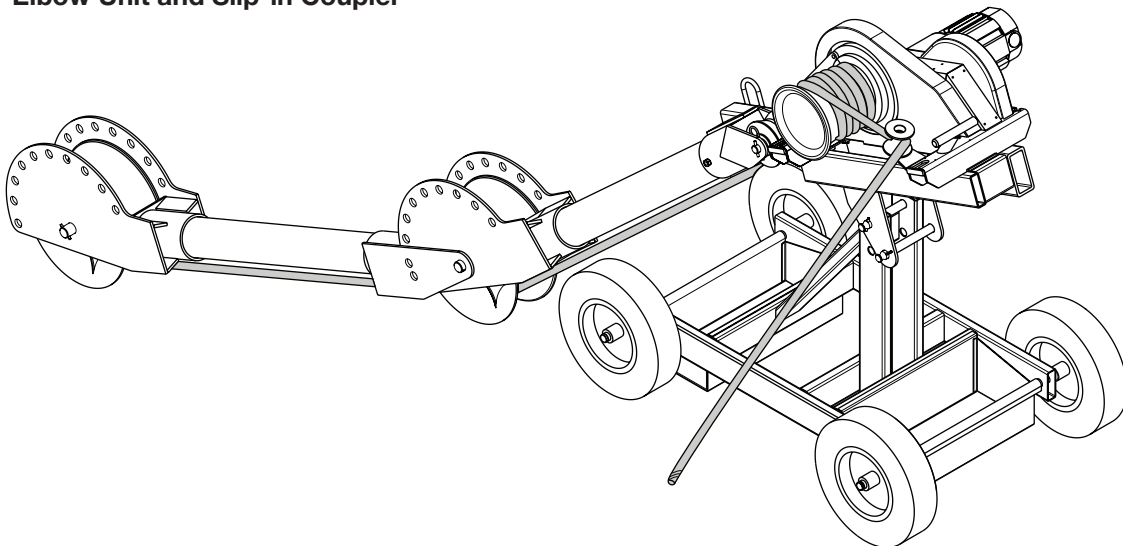
**Typical Setups—using 11147 Adapter Package**

Setups are shown without force gauge. Place the force gauge so the operator has an unobstructed view of the meter and quick access to its ON/OFF switch.

**Pulling Horizontally in Manhole  
Using Two Booms, Nose Unit,  
Elbow Unit and Slip-in Coupler**



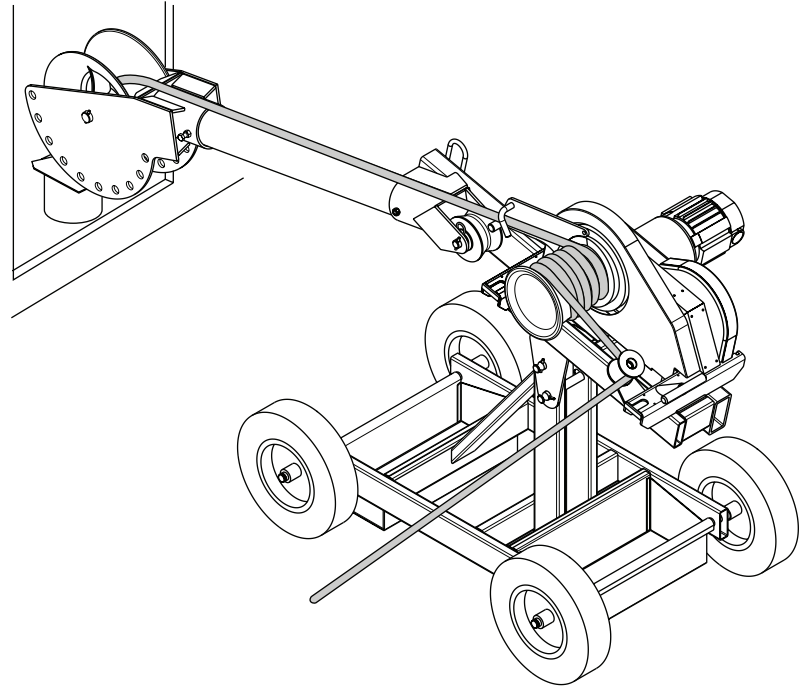
**Pulling Horizontally in Manhole  
Using Two Booms, Nose Unit,  
Elbow Unit and Slip-in Coupler**



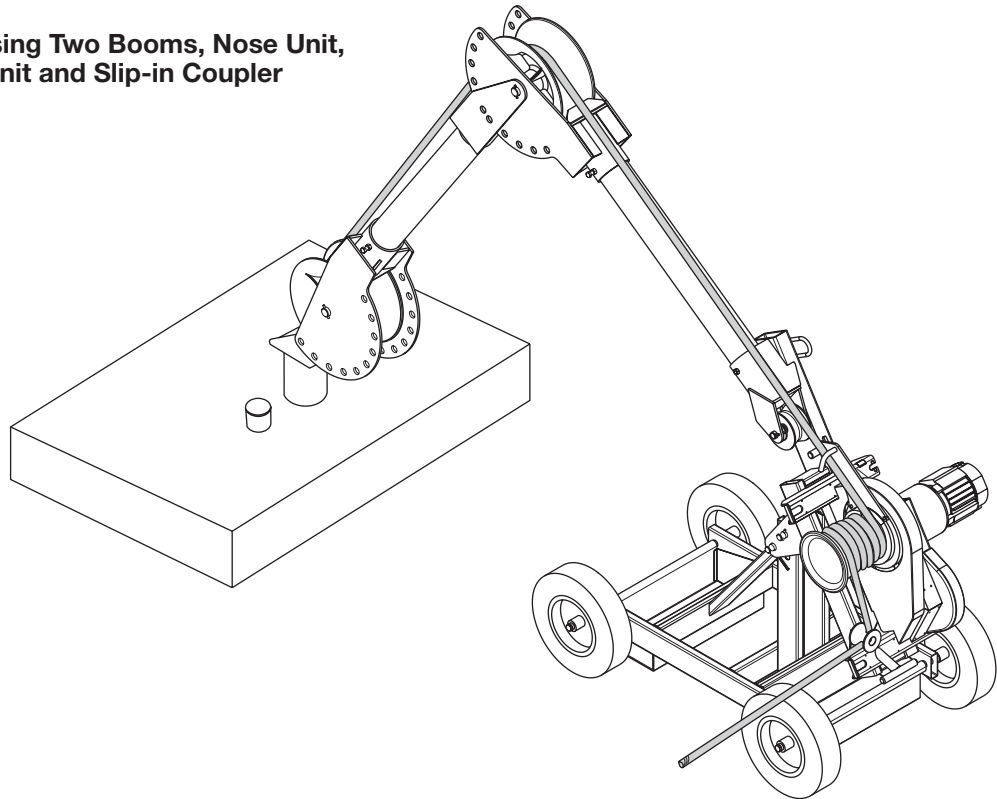
**Typical Setups—using 11147 Adapter Package (cont'd)**

Setups are shown without force gauge. Place the force gauge so the operator has an unobstructed view of the meter and quick access to its ON/OFF switch.

**Pulling Up Using One Boom,  
Nose Unit and Slip-in Coupler**

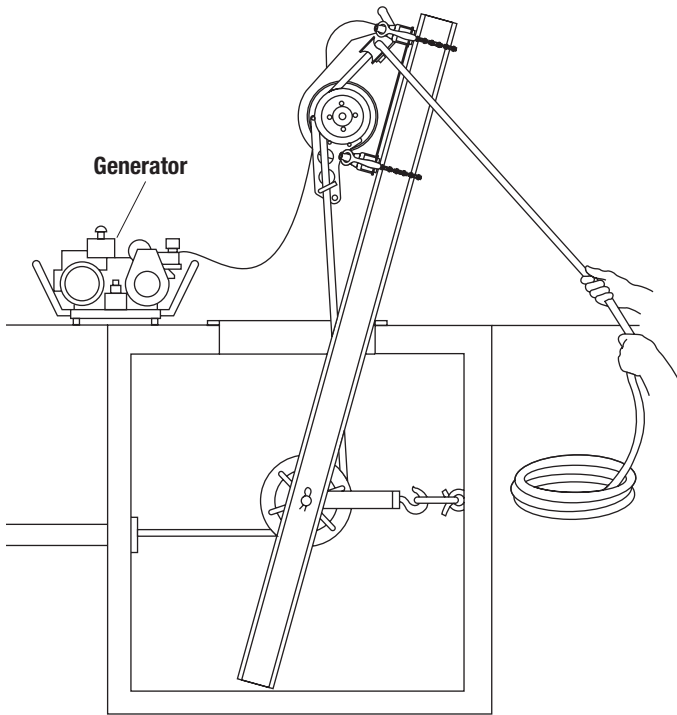


**Pulling Up Using Two Booms, Nose Unit,  
Elbow Unit and Slip-in Coupler**

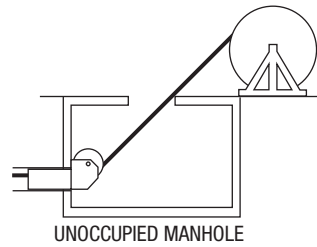


**Typical Setups (cont'd)**

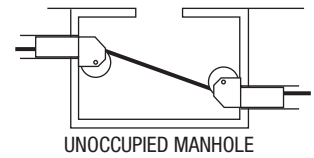
Setups are shown without force gauge. Place the force gauge so the operator has an unobstructed view of the meter and quick access to its ON/OFF switch.



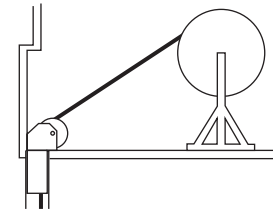
**Using a Manhole Sheave**



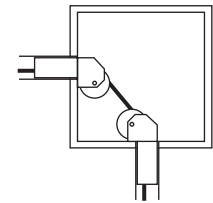
UNOCCUPIED MANHOLE



UNOCCUPIED MANHOLE

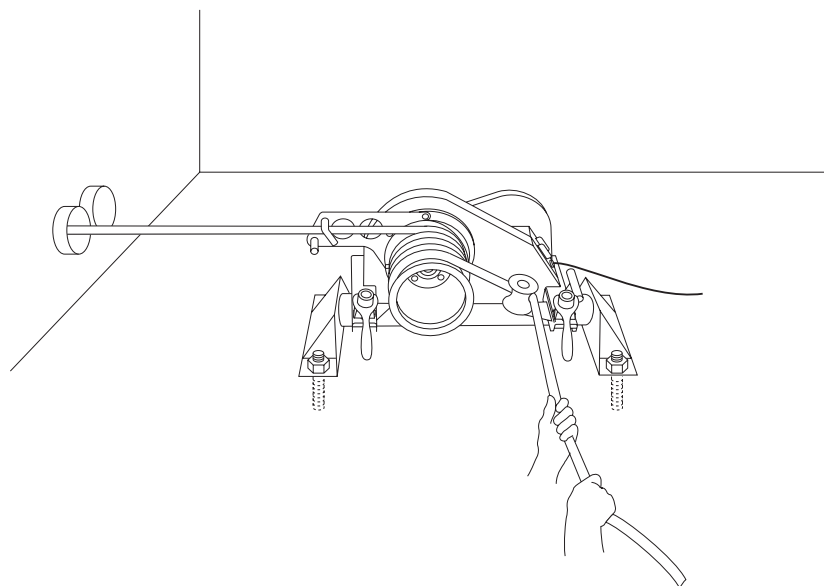


ABOVE GROUND



UNOCCUPIED MANHOLE

**Using Feeding Sheaves in Manholes**



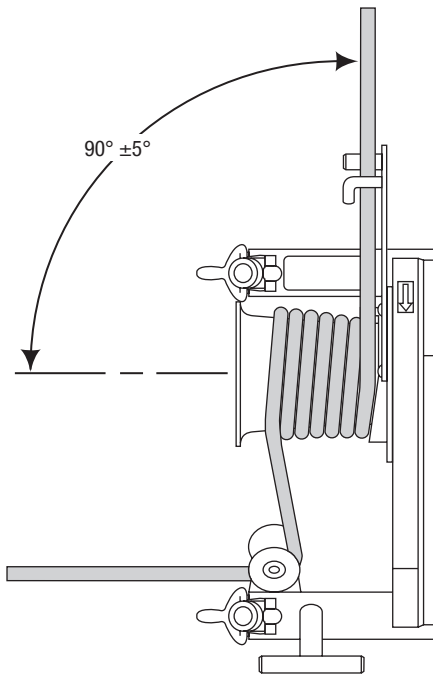
**Using a Floor Mount**

## Setup and Operation

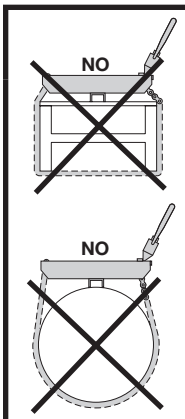
While reading through this section of the manual, look for components that are shaded in the illustrations. The shading indicates components that are associated with the accompanying text.

1. Fish the rope through the conduit.
2. Set up the cable puller mounting. Set it up so that the rope will approach the capstan at an angle of  $90^\circ (\pm 5^\circ)$  as illustrated in Rope Approaching the Capstan.

*Note: If using an adapter sheave, flexible pipe adapter, or mobile T-boom, see the illustrations in this manual. If using a manhole sheave or floor mount, see the instructions supplied with those items.*



**Rope Approaching the Capstan**



### **⚠ WARNING**

When setting up the flexible pipe adapter or puller, do not use the vise chains on a structural support that is less than 51 mm (2") or more than 254 mm (10") wide. An oversized or undersized structural support can allow the puller to slide or break loose and strike nearby personnel with sufficient force to cause severe injury or death.

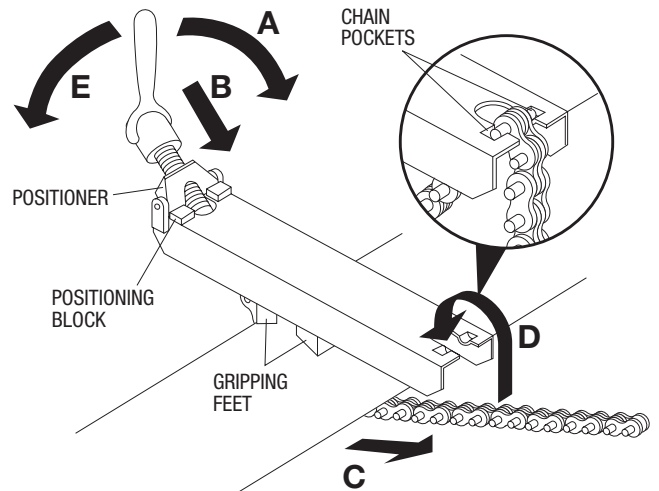
### **⚠ WARNING**

Install the vise chains properly.

- Follow the vise chain tightening instructions carefully. Improperly tightened chains can allow the puller to slide or break loose and strike nearby personnel.
- Do not allow the vise chains to bind at the corners when mounting the puller to a square or rectangular support. The vise chain must be uniformly tight at all points.

Failure to observe these warnings can result in severe injury or death.

3. Install the vise chains as shown.



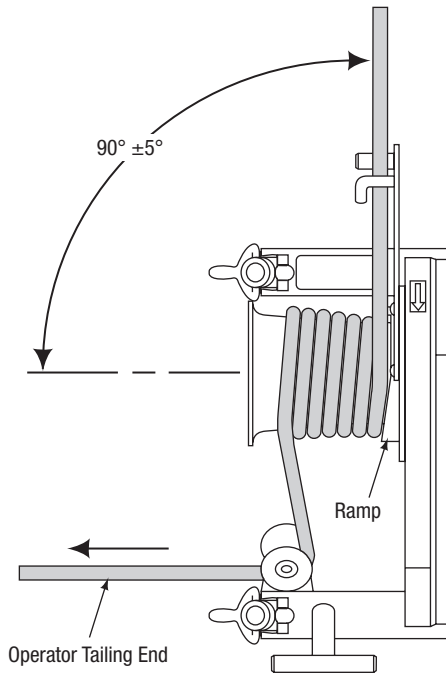
**Vise Chain Installation**

- a. Rotate the vise chain handle to expose most of the threads. Leave only three or four threads engaged in the handle.
  - b. Thread the chain through the hole in the frame. Set the positioner against the positioning blocks.
  - c. Wrap the chain around the conduit, pipe sheave adapter, or structural element.
  - d. Pull the vise chain tight and insert the chain pins into the chain pockets, or recesses.
  - e. Turn the handle to slightly tighten the chain.
  - f. Repeat Steps A–E for the other chain.
4. Rotate the vise chain handles, by hand, clockwise to fully tighten the chain. Do not use tools, extensions or “cheaters”.

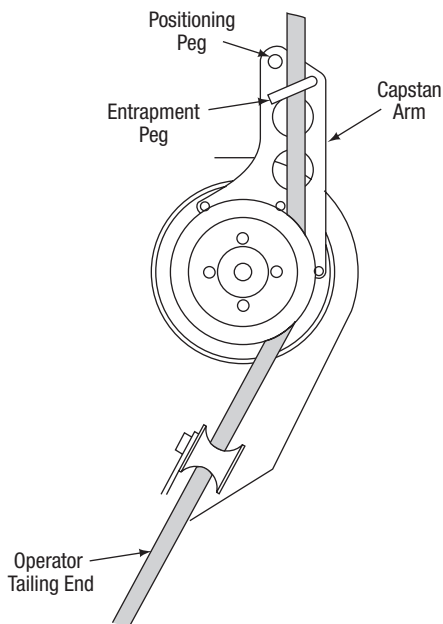
## Setup and Operation (cont'd)

5. Align the rope ramp and route the rope as illustrated in Rope Path, Top View and Rope Path, Side View.

*Note: Use every component of the rope path—the positioning peg, entrapment peg, rope ramp and tapered capstan—as shown to help prevent rope overlap.*



**Rope Path, Top View**



**Rope Path, Side View**

6. Check the ON/OFF switch on the puller to be sure it is OFF. Plug the puller into the receptacle of the standard force gauge. Plug the force gauge into an appropriate power supply (see Grounding Instructions in this manual).

*Note: If using an extension cord, it must be rated for 20 amps. Use the shortest cord possible. Longer cords reduce puller speed.*

7. Position the force gauge so that it can be monitored by the puller operator.

### Duty Cycle Table

Color Band on Meter	Pounds of Pulling Force	Alarm	Duty Cycle (in minutes)
Green	0–5000	off	continuous
Yellow	5000–5500	on	15 on/15 off
Yellow	5500–6500	on	5 on/15 off
Red	over 6500	on	puller will stop

8. Grasp the tailing end of the rope. Apply a slight amount of tailing force.
9. Turn the puller ON.
10. Tail the rope, allowing the spent rope to accumulate on the floor between the operator and the puller.
- Note: The capstan arm is intended to pivot. Do not attempt to stop the arm from pivoting.*
11. When the pull is complete, turn the puller OFF. Tie off the rope to the T-shaped cleat and anchor the cable.

## Removing Cable

Removing old cable involves the same principles as installing new cable. However, there are some important differences.

### Pulling Force

It is difficult to predict the amount of pulling force necessary to remove an old cable. The cable may be damaged, and it may break with an unexpectedly low pulling force.

The required pulling forces may be very high:

- The cable has probably “taken a set”. Unlike the new cable on a reel, cable in conduit has probably been in the conduit for years, or perhaps decades. The cable will resist bending and straightening as it is pulled through the conduit.
- The pulling lubricant has probably hardened, increasing pulling resistance.
- The insulation may be damaged and the cable may be corroded.
- Dirt or other foreign matter may have entered the conduit and may have cemented the cable in place.

### Using a Force Gauge

When pulling old cable out of a conduit, the pulling force will be highest when starting the pull. Select a cable puller and pulling components to meet or exceed the estimated amount of pulling force necessary to remove the old cable. Because breaking the cable free will require the largest amount of pulling force, it is necessary to use a force gauge to prevent overloading the system components. For the 120 volt Super Tugger, use the 37179 Force Gauge. For the 220 volt Super Tugger, use the 35638 Force Gauge.

Carefully monitor the pulling force at the force gauge; if the puller is not able to begin the pull, shut off the puller and disassemble the setup. Start over with a puller and components of a higher force rating.

### Puller Placement

Pulling out old cable is generally accomplished with the puller located some distance away from the end of the conduit. This allows the pulling crew to pull out a long section of cable before turning off the puller, cutting off the cable, and reattaching the grip(s). Mounting the cable puller a distance away from the end of the conduit increases the amount of exposed rope, which greatly increases the amount of violent whipping action which would occur if the rope or other components were to break.

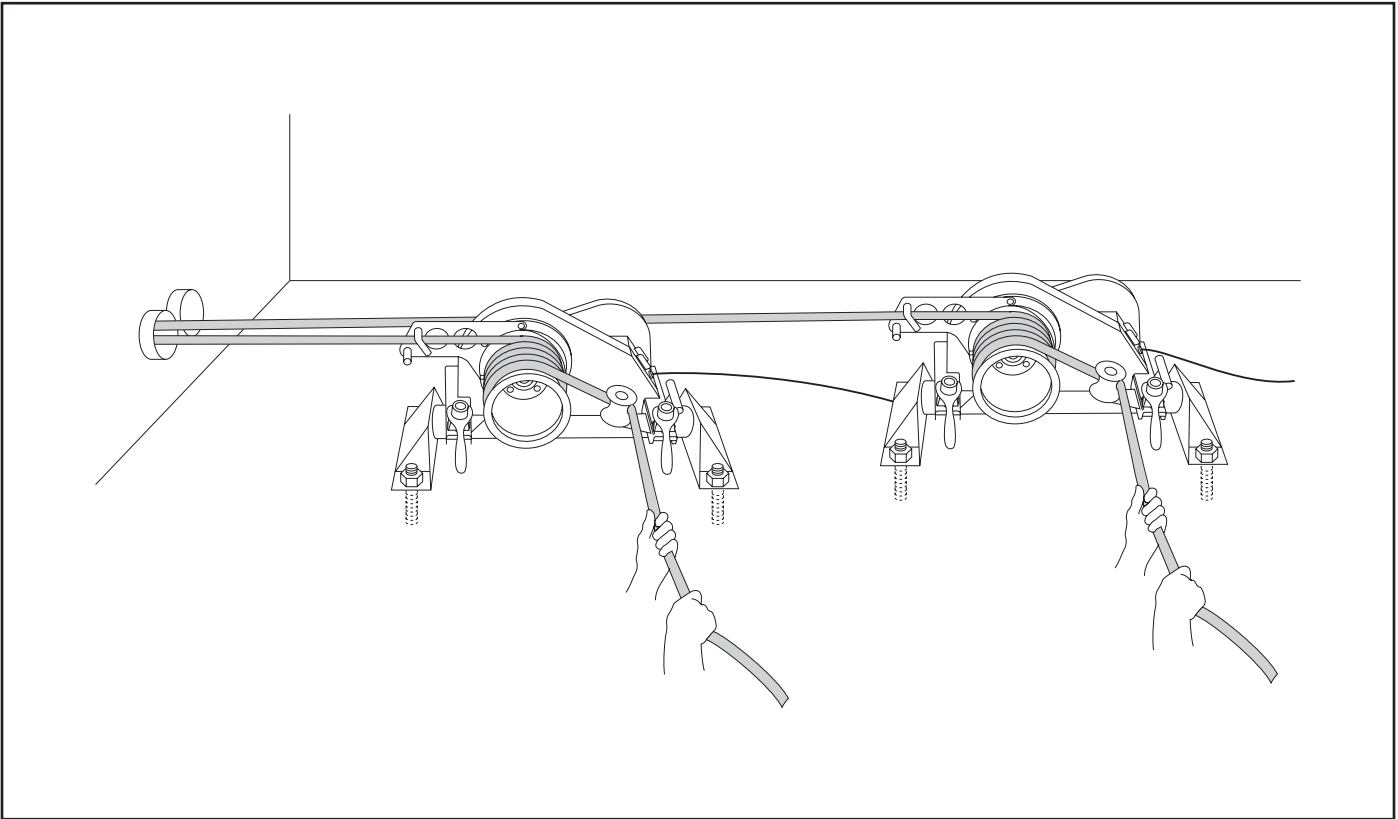
To isolate the operator from the rope path:

- Locate the puller so that you will stand behind an obstruction, such as a wall. Set up the puller so that you will be able to maintain control of the pull. You need a clear view of the rope as it feeds onto the capstan, including several feet of the rope in front of the capstan. You must be able to turn off the puller before the pulling grip, connector, or swivel contacts the capstan.
- Use an additional pulling sheave to change the direction of the tailing rope. Anchor the sheave so that you are close enough to maintain control of the pull. You need a clear view of the rope as it feeds onto the capstan, including several feet of the rope in front of the capstan. You must be able to turn off the puller before the pulling grip, connector, or swivel contacts the capstan.  
*Note: Use the additional pulling sheave to change the direction of the tailing rope (after the rope leaves the capstan). Do not change the direction of the pulling rope.*
- Use a longer tailing rope than usual and stand away from the puller. Stand as far from the puller as possible, while maintaining control of the pull. You need a clear view of the rope as it feeds onto the capstan, including several feet of the rope in front of the capstan. You must be able to turn off the puller before the pulling grip, connector, or swivel contacts the capstan.

## Dual Pulling

When the estimated amount of pulling resistance exceeds the ability of the puller, two pullers may be used to accomplish the pull. Connect the two pullers to

the cables in parallel—use two sets of ropes, grips, and other accessories to avoid overloading any component of the pulling system.




**Dual Pulling**



## Maintenance

Read all instructions thoroughly. Be sure that you understand all of the instructions and have the necessary tools available before dismantling the puller.

Service Activity	Schedule
Lubricate the drive chains	every 20 hours
Grease the drive chain shafts	
Inspect the chains and ratchet pawl	every 40 hours
Inspect the commutator brushes	

	<b>⚠ WARNING</b>
	<p>Electric shock hazard: Disconnect the cable puller from the power supply before servicing. Failure to observe this warning could result in severe injury or death.</p>

### Lubricating the Drive Chains (every 20 hours)

1. Remove the right outer guard (69) and left outer guard (4).
2. Lubricate the inside of the chains with 80W-90W gear oil.
3. Replace the guards and screws.

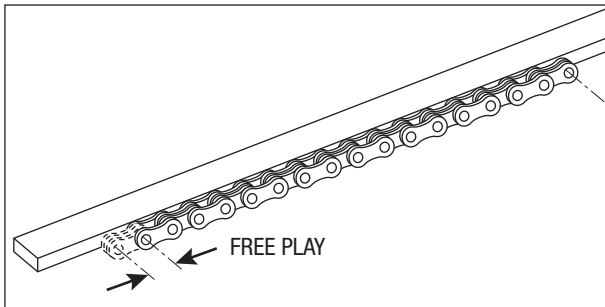
### Greasing the Drivetrain Shafts (every 20 hours)

Apply a multipurpose NLGI Grade 2 grease (such as Mobil HP or Amoco Permalub) at the grease fittings (5 and 37). These fittings are located inside the capstan housing and under the countershaft (31).

## Maintenance (cont'd)

### Inspecting the Chains and Ratchet Pawl (every 40 hours)

1. Remove the right outer guard (69), left outer guard (4), and right guard (61).
2. Remove the connecting link (72) and #40 chain (71).
3. Remove the capstan retaining screws (2). Remove the lubricating screw (5) and washers (6-9). Remove capstan unit (10-19). Remove connecting link (21) and #60 chain (20).
4. Clean the chains thoroughly with solvent.
5. Lay the chains against a straightedge. Slide on end of the chain back and forth to check free play. See illustration below. If free play is more than 3/8", replace the chain. Replace the chain if any links bind.



6. Lubricate the chains with 80W-90W gear oil.
7. Remove the ratchet pawl (43) and compression spring (44). Apply multipurpose NLGI Grade 2 grease (such a Mobilgrease® HP or Amoco Permalub) to all working surfaces. Replace the spring and pawl.
8. Assemble the #40 chain (70).  
*Note: Install the clip of each connecting link so that the closed end of the clip faces the direction of chain travel, as shown in the Exploded View.*
9. Loosen, but do not remove, the four nuts (41) that secure the motor. Push the motor away from the #40 sprocket (70) to put tension on the chain. Tighten the nuts (41) to 8 ft-lb (10.8 Nm).

10. Assemble in reverse order.
11. Plug the puller in and turn the puller ON. Listen for the clicking noise of the anti-reversing mechanism (ratchet pawl and compression spring). If you do not hear this clicking noise, inspect and repair the puller.

### **⚠ WARNING**

Do not operate puller if the anti-reverse mechanism is not working.


Failure to observe this warning could result in severe injury or death.

### Inspecting the Commutator Brushes (every 40 hours)

1. Remove two brush caps (121). Remove two brushes (116).
2. Measure the brushes. Replace both brushes if either brush is less than 3/8" long.

## Maintenance (cont'd)

### Replacing the Frame

	<b>⚠ WARNING</b>
	<p>Electric shock hazard: Disconnect the cable puller from the power supply before servicing. Failure to observe this warning could result in severe injury or death.</p>

Replace the frame if appears damaged. During disassembly, inspect each part. Replace any worn, damaged, or missing parts with Greenlee replacement parts. Replace the needle bearings (74 and 75) regardless of their appearance.


1. Remove the left outer guard (4). Remove the lubricating screw (5), washers (6-9), and capstan unit (10-19).
2. Remove the #60 chain (20). Remove the sprocket (22), washers (23), and guard (25).
3. Remove the right outer guard (69). Remove the #40 chain.
4. Remove the retaining ring (67), #60 sprocket (31), and all items located on the sprocket (32-37 and 68-75). Discard the needle bearings (74 and 75).
5. Remove cap screw (45) and all items of the eccentric assembly (46-49).
6. Remove the cap screw (26) and all items of the idler assembly (27-30).
7. Remove the switch housing (54) and components.
8. Remove the motor, handle, sheave, ratchet pawl and feet.
9. Assemble items to the new frame in reverse order.

*Notes: Replace any components that show signs of wear or damage.*

*When replacing the items of the sprocket (31) assembly, install new needle bearings (74 and 75).*

*Install the clip of each connecting link so that the closed end of the clip faces the direction of chain travel, as shown in the Exploded View.*

### Troubleshooting the Electrical Circuit

	<b>⚠ WARNING</b>
	<p>Electric shock hazard: Disconnect the cable puller from the power supply before servicing. Failure to observe this warning could result in severe injury or death.</p>

See the wiring diagram. Use a continuity checker to check the electrical circuit. Lack of continuity in the following procedure indicates that a repair is necessary.

1. Unplug the puller.
2. Set the switches to ON.
3. Place the probes of the continuity checker across the following terminals of the cable puller and force gauge. All of these pairs of terminals should have continuity.

To check the switches:

- A and B
- Q and R
- S and T (220 volt models only)
- X and Y (220 volt models only)

To check the connectors:

- G and A
- H and D
- I and J
- K and S
- L and O
- M and N
- U and N
- V and R
- W and K (120 volt models only)
- W and T (220 volt models only)

To check the bridge rectifier:

- C and D
- E and F

To check the ammeter:

- O and P

To check the motor:

- C and E

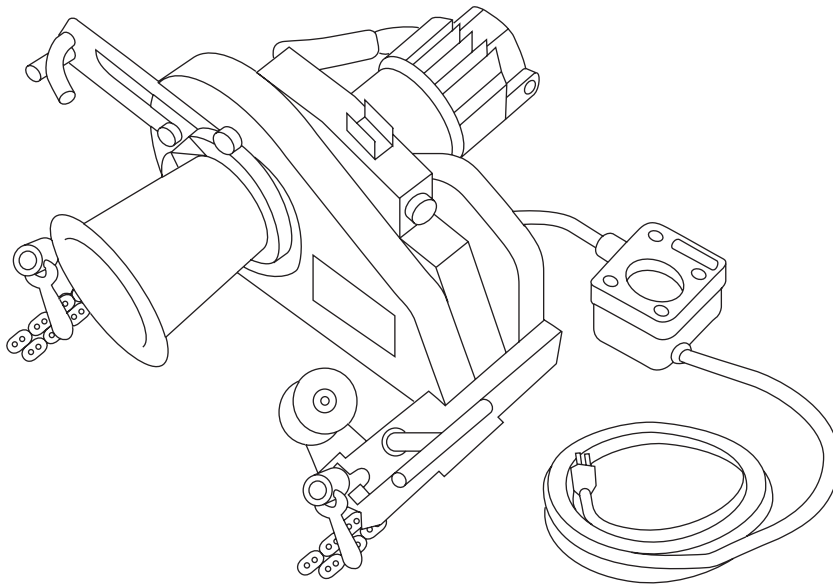
If the motor fails this check, inspect the motor components (brushes, armature, and wires). Replace any parts that are worn or damaged. Replace both brushes if either brush measures less than 3/8" long.

## Troubleshooting

Should the puller become inoperative, refer to the troubleshooting table below. While performing any repairs, inspect the motor, capstan, and drivetrain.

<b>Problem</b>	<b>Probable Cause</b>	<b>Possible Remedy</b>
Motor will not run.	No power at supply circuit.	Check power supply with a voltmeter. See the Specifications section of this manual.
	Faulty switch or wiring.	Check the switch and wiring for continuity.
	Motor faulty.	Check the motor and wiring for continuity. Check condition of brushes. Replace any worn or damaged items.  Replace motor.
Capstan does not rotate while motor is running.	#60 chain broken.	Replace #60 chain.
	#40 chain broken.	Replace #40 chain.
	Broken sprocket in gearbox or stripped shaft in motor.	Disassemble puller. See disassembly instructions under Inspecting the Chains and Ratchet Pawl. Replace any worn or damaged drive components.

# MANUAL DE INSTRUCCIONES



## Traccionadores de cables Super Tugger® Serie 6000

Efectivo con código serial YF 2000 para traccionadores para batería de 115 V  
y código serial ACN para traccionadores para batería de 220 V



**Lea y comprenda** todas las instrucciones y la información de seguridad de este manual antes de operar o reparar esta herramienta.

## Índice

Descripción .....	30
Seguridad .....	30
Objetivo de este manual.....	30
Instrucciones importantes de seguridad.....	31-33
Instrucciones de conexión a tierra .....	34
Identificación .....	35
Especificaciones .....	35
Glosario de tracción de cables.....	36
Principios de la tracción de cables .....	37-45
Sistemas de tracción de cables.....	37
Teoría de la tracción.....	38
Fuerzas de tracción de cables.....	39-43
Extensión de la cuerda .....	44
Resumen de los principios de la tracción de cables...	45
Planificación de la tracción .....	45
Instalaciones típicas .....	46-48
Instalación y funcionamiento.....	49-50
Extracción del cable .....	51
Doble tracción .....	52
Mantenimiento.....	53-55
Resolución de problemas.....	56
Vista desarrollada y listas de piezas .....	85-95
Diagramas de cableado .....	96-97

## Descripción

El traccionador de cables Greenlee Super Tugger® está pensado para jalar cables por medio de un conducto y en la bandeja. El Super Tugger desarrollará 28,9 kN (6500 lb) de fuerza de tracción. Consultar un catálogo de Greenlee para poleas, cuerda de tracción, y otros accesorios de tracción de cables clasificados para su uso con el Super Tugger para crear un sistema de tracción de cables completo.

Ningún manual solo puede proporcionar instrucciones para todas las aplicaciones de tracción de cables. Este manual contiene información general para la tracción del cable. También se proporcionan las aplicaciones de algunas instalaciones típicas.

## Seguridad

La seguridad es esencial para el uso y el mantenimiento de las herramientas y los equipos de Greenlee. Este manual de instrucciones y cualquier marca en las herramientas brinda información para evitar peligros y prácticas no seguras relacionadas con el uso de esta herramienta. Observe toda la información de seguridad proporcionada.

## Objetivo de este manual

La finalidad de este manual es familiarizar a todo el personal con los procedimientos de mantenimiento y funcionamiento seguro de los traccionadores de cables Super Tugger® Serie 6000 de Greenlee.

Mantenga este manual al alcance de todo el personal.

Los manuales de reemplazo se encuentran disponibles a pedido y sin costo en [www.greenlee.com](http://www.greenlee.com).

Todas las especificaciones son nominales y pueden cambiar a medida que surjan mejoras en el diseño. Greenlee Tools, Inc. no será responsable de los daños que resulten de la mala aplicación o el mal uso de estos productos.

Super Tugger es una marca comercial registrada de Greenlee Tools, Inc.

Mobilgrease es una marca comercial registrada de Mobil Oil Corporation.

# **CONSERVE ESTE MANUAL**



## **INFORMACIÓN DE SEGURIDAD IMPORTANTE**



### **SÍMBOLO DE ALERTA DE SEGURIDAD**

Este símbolo se utiliza para llamar su atención ante riesgos o prácticas no seguras que podrían dar como resultado una lesión o daño a la propiedad. La palabra de advertencia, que se define a continuación, indica la gravedad del riesgo. El mensaje después de la palabra de advertencia brinda información para prevenir y evitar el riesgo.

#### **⚠ PELIGRO**

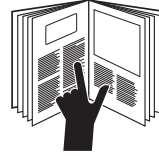
Riesgos inmediatos que, si no se los evita, **DARÁN** como resultado lesiones graves o la muerte.

#### **⚠ ADVERTENCIA**

Riesgos que, si no se los evita, **PODRÍAN** resultar en lesiones graves o la muerte.

#### **⚠ ATENCIÓN**

Riesgos o prácticas no seguras que, si no se las evita, **PUEDEN** resultar en lesiones o daños a la propiedad.



#### **⚠ PELIGRO**

Lea y comprenda todas las instrucciones y la información de seguridad de este manual antes de operar o reparar esta herramienta.

No cumplir con esta advertencia tendrá como resultado lesiones graves o la muerte.



#### **⚠ PELIGRO**

No opere el traccionador de cables en un ambiente peligroso. Los peligros incluyen líquidos y gases inflamables.

No cumplir con esta advertencia tendrá como resultado lesiones graves o la muerte.



#### **⚠ ADVERTENCIA**

Riesgo de descarga eléctrica:


Desconecte el traccionador de cables del suministro de energía antes de realizar el mantenimiento.

No observar esta advertencia podría resultar en lesiones graves o la muerte.

*Nota: Mantenga todas las calcomanías limpias y legibles y reemplácelas cuando sea necesario.*

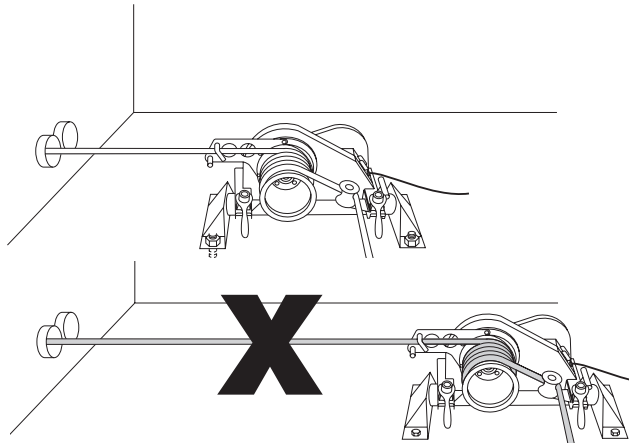
## INFORMACIÓN DE SEGURIDAD IMPORTANTE

	<b>⚠ADVERTENCIA</b>
	<p>Inspeccione todos los componentes del sistema de tracción de cables. Compruebe la capacidad de carga máxima o fuerza máxima de todos los soportes estructurales, los componentes del sistema de tracción y los sistemas de anclaje antes de instalar el traccionador. Cualquier componente que no pueda soportar las fuerzas máximas de tracción de cable podría romperse y caer cerca al personal con gran fuerza.</p> <p>No observar esta advertencia podría resultar en lesiones graves o la muerte.</p>

	<b>⚠ADVERTENCIA</b>
	<p>No permita que un elemento distinto a la cuerda de tracción tenga contacto con el cabrestante. Una agarradera, un grillete giratorio u otro componente podría romperse y caer cerca al personal con gran fuerza.</p> <p>No observar esta advertencia podría resultar en lesiones graves o la muerte.</p>

	<b>⚠ADVERTENCIA</b>
	<p>No se pare directamente bajo el tirador vertical. El cable podría caer repentinamente del conducto y causar lesiones al personal cercano.</p> <p>No observar esta advertencia podría resultar en lesiones graves o la muerte.</p>

<b>⚠ADVERTENCIA</b>
<p>No opere el traccionador de cables si el mecanismo anti-reverso no está funcionando. Si no se oye el chasquido del trinquete anti-reverso cuando el cabrestante está girando, apague el traccionador y solicite que lo repare un centro de servicio autorizado de Greenlee.</p> <p>No observar esta advertencia podría resultar en lesiones graves o la muerte.</p>

<b>⚠ADVERTENCIA</b>
<p>Localice el traccionador de modo que esté cerca del conducto. Una cuerda, cable o los conectores pueden romperse por tensión, lo que provocaría que la cuerda azote con violencia.</p> <p>No observar esta advertencia podría resultar en lesiones graves o la muerte.</p>


<b>⚠ADVERTENCIA</b>
<p>Una cuerda con clasificación distinta puede romperse y azotar con violencia. Use una cuerda compuesta de doble trenzado con las siguientes características:</p> <ul style="list-style-type: none"> <li>• Capacidad nominal máxima: al menos 28,9 kN (6500 lb)</li> <li>• Resistencia promedio a la rotura: al menos 115,6 kN (26.000 lb)</li> </ul> <p>No observar esta advertencia podría resultar en lesiones graves o la muerte.</p>

<b>⚠ADVERTENCIA</b>
<ul style="list-style-type: none"> <li>• Verifique la condición de toda la cuerda antes de uso. Una cuerda gastada o dañada puede romperse por la tensión y azotar con violencia.</li> <li>• No mantenga una cuerda inmóvil en un cabrestante rotativo. El desgaste generado puede provocar que la cuerda se rompa por la tensión y azotar con violencia.</li> </ul> <p>No observar estas advertencias podría resultar en lesiones graves o la muerte.</p>





## **INFORMACIÓN DE SEGURIDAD IMPORTANTE**

### **⚠ADVERTENCIA**

Conecte la cuerda de tracción al cable con los tipos de conectores adecuados como se describe en este manual. Seleccione los conectores con una capacidad nominal máxima de al menos 28,9 kN (6500 lb). Un conector con clasificación menor puede romperse por la tensión.

No observar esta advertencia podría resultar en lesiones graves o la muerte.



### **⚠ADVERTENCIA**

No opere el traccionador sin los dispositivos de seguridad de la cadena en su lugar.

No observar esta advertencia podría resultar en lesiones graves o la muerte.



### **⚠ADVERTENCIA**

Mantenga las manos alejadas del cabrestante. La cuerda en el cabrestante puede aplastar una mano.

No observar esta advertencia podría resultar en lesiones graves o la muerte.

### **⚠ADVERTENCIA**

Utilice esta herramienta solo para los fines establecidos por el fabricante. No utilice el traccionador de cables como elevador o cabrestante.

- El traccionador de cables no puede bajar una carga.
- La carga podría caer.

No observar esta advertencia podría resultar en lesiones graves o la muerte.



### **⚠ADVERTENCIA**

No envuelva sus manos, brazos, cintura u otra parte del cuerpo con la cuerda. No se pare sobre bobinas gastadas o extremos de cuerda. Sostenga la cuerda para que se pueda liberar rápidamente.

No observar esta advertencia podría resultar en lesiones graves o la muerte.

### **⚠ADVERTENCIA**

Inspeccione el traccionador y accesorios antes de usar. Reemplace cualquier componente gastado o dañado con las piezas de repuesto de Greenlee. Un elemento dañado o colocado incorrectamente puede romperse y golpear al personal que se encuentre cerca con gran fuerza.

No observar esta advertencia podría resultar en lesiones graves o la muerte.

### **⚠ADVERTENCIA**

Una cuerda, cable o dispositivo de conexión puede romperse por tensión, lo que provocaría que la cuerda azote con violencia.

- No permita que el personal que no sea necesario se quede en el área durante la tracción.
- No permita que el persona se pare en línea con la cuerda de tracción.

No observar estas advertencias puede resultar en lesiones graves o la muerte.

### **⚠ADVERTENCIA**

Riesgo de entrelazamiento:

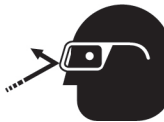
- No opere el traccionador de cables al usar ropa suelta.
- Amarre el cabello largo.

No observar estas advertencias podría resultar en lesiones graves o la muerte.

### **⚠ADVERTENCIA**

No permita que la cuerda se sobreponga en el cabrestante. Si se produce una superposición, disminuya la fuerza de extensión y apague el traccionador de cables.

No observar esta advertencia podría resultar en lesiones graves o la muerte.




### **⚠ADVERTENCIA**

Utilice protección para los ojos al operar esta herramienta.

No utilizar protección para los ojos podría dar como resultado lesiones graves en los ojos por residuos en el aire.

**Instrucciones de conexión a tierra**
**Modelo de 120 V**

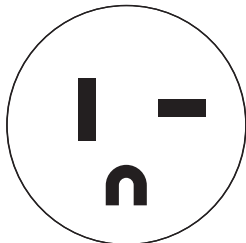
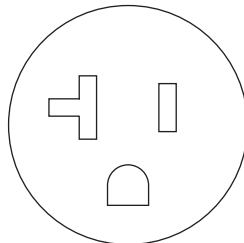
	<b>⚠ADVERTENCIA</b>
	<p>Riesgo de descarga eléctrica.</p> <ul style="list-style-type: none"> <li>• No modifique el enchufe provisto con la herramienta.</li> <li>• Conecte esta herramienta a un receptáculo conectado a tierra en un circuito con protección GFCI de 20 amperios.</li> </ul> <p>No observar estas advertencias podría resultar en lesiones graves o la muerte.</p>

**Modelo de 220 V**

	<b>⚠ADVERTENCIA</b>
	<p>Riesgo de descarga eléctrica.</p> <ul style="list-style-type: none"> <li>• No modifique el enchufe provisto con la herramienta.</li> <li>• Conecte esta herramienta a un receptáculo conectado a tierra en un circuito con protección GFCI de 10 amperios.</li> </ul> <p>No observar estas advertencias podría resultar en lesiones graves o la muerte.</p>

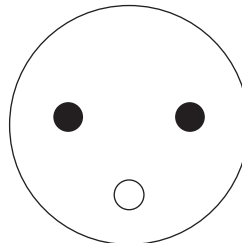
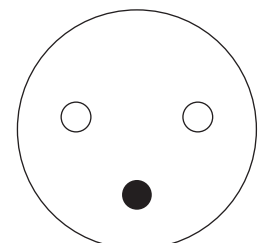
Esta herramienta debe estar conectada a tierra. En caso de funcionamiento defectuoso o avería, el sistema de puesta a tierra provee un trayecto de mínima resistencia para la corriente eléctrica. Este trayecto de mínima resistencia tiene el fin de reducir el riesgo de descarga eléctrica.

El cable de esta herramienta eléctrica tiene un conductor y un enchufe de conexión a tierra como se muestra. No modifique el enchufe. Conecte el enchufe a un receptáculo correspondiente que esté adecuadamente instalado y conectado a tierra según todo código y ordenanza local y nacional. No use un adaptador.

**Enchufe y receptáculo de 20 amperios/125 V**

**Enchufe**

**Receptáculo**

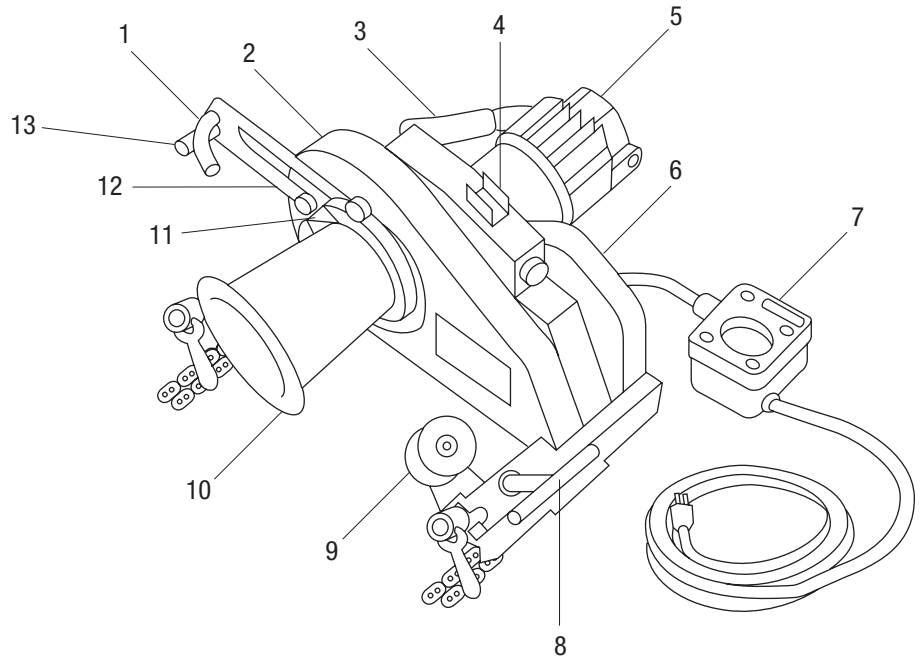
Esta herramienta debe estar conectada a tierra. En caso de funcionamiento defectuoso o avería, el sistema de puesta a tierra provee un trayecto de mínima resistencia para la corriente eléctrica. Este trayecto de mínima resistencia tiene el fin de reducir el riesgo de descarga eléctrica.

El cable de esta herramienta eléctrica tiene un conductor y un enchufe de conexión a tierra como se muestra. No modifique el enchufe. Conecte el enchufe a un receptáculo correspondiente que esté adecuadamente instalado y conectado a tierra según todo código y ordenanza local y nacional. No use un adaptador.

**Enchufe y receptáculo de 10 amperios/250 V**

**Enchufe**

**Receptáculo**

## Identificación

1. Clavija de entrapamiento
2. Dispositivos de seguridad de la cadena del cabrestante
3. Manija
4. Interruptor de ENCENDIDO/APAGADO (ON/OFF) protegido e interruptor de circuito
5. Motor
6. Dispositivos de seguridad de la cadena del motor
7. Dinamómetro con Interruptor de ENCENDIDO/APAGADO (ON/OFF)
8. Manija/Grapa
9. Polea intermedia de ángulo recto
10. Cabrestante cónico
11. Rampa de cuerda
12. Brazo cabrestante giratorio
13. Clavija de posicionamiento



## Especificaciones

Peso ..... 41,7 kg (92 lb)

### Dimensiones:

Longitud..... 52,7 cm (20-3/4 in)

Ancho ..... 57,2 cm (22-1/2 in)

Altura ..... 30,5 cm (12 in)

### Potencia (Modelo de 120 V):

Tensión ..... 120 VCA, 60 Hz

Corriente..... 17 amperios

Fuente..... Circuito con protección GFCI de 20 amperios

### Potencia (Modelo de 220 V):

Tensión ..... 220 VCA, 50 Hz

Corriente..... 7,5 amperios

Fuente..... Circuito con protección GFCI de 15 amperios

Fuerza de tracción máxima ..... 28,9 kN (6500 lb)

### Velocidad:

Sin carga..... 5 m/min (16,5 ft/min)

8900 N (2000 lb) ..... 3,4 m/min (11 ft/min)

17,8 kN (4000 lb) ..... 2,3 m/min (7,5 ft/min)

### Ciclo de operación:

0–22,2 kN (0–5000 lb) ..... Funcionamiento continuo

22,2–24,5 kN (5000–5500 lb)  
(sonará la alarma) ..... 15 minutos encendido (on)/  
15 minutos apagado (off)

24,5–28,9 kN (5500–6500 lb)  
(sonará la alarma) ..... 5 minutos encendido (on)/  
15 minutos apagado (off)

### Cuerda de tracción:

Resistencia promedio a la rotura..... 115,6 kN (26.000 lb)  
mínimo

## Glosario de tracción de cables

### **agarradera de cable**

conecta la cuerda al cable; algunos utilizan un tornillo de fijación para sujetarla a los conductores del cable

### **agarradera de tracción**

conecta la cuerda al cable; se compone de una cesta de malla de alambre que se desliza sobre el cable y agarra el aislamiento

### **cabrestante**

el cilindro hueco del traccionador de cables que actúa sobre la cuerda de tracción para generar la fuerza de tracción

### **capacidad nominal máxima**

la cantidad de tensión de tracción que cualquier componente puede soportar con seguridad, clasificada en kilonewton (métrico) o libras; la capacidad nominal máxima de cada componente debe alcanzar o superar la fuerza máxima de tracción del traccionador de cables

### **coeficiente de fricción**

la relación que compara dos cantidades de fuerza: (1) la fuerza necesaria para mover un objeto sobre una superficie y (2) la fuerza que sostiene el objeto contra la superficie

Esta relación se utiliza para describir cómo el cabrestante y la cuerda trabajan juntos.

### **conector**

cualquier elemento, como una agarradera de cable, horquilla, grillete giratorio, o agarradera de tracción, que conecta la cuerda al cable

### **energía almacenada**

la energía que se acumula en la cuerda de tracción al extenderse, descrita en newton-metros (métrico) o pie-libras

### **estructura de soporte**

cualquier objeto estacionario al que un componente del sistema de tracción de cables está anclado, tal como un suelo de concreto (para el montaje para piso) o una viga en forma de "I" (para una polea)

### **extremo**

la parte de la cuerda en la que el operador aplica fuerza; esta es la cuerda que sale del cabestrante y no está bajo la tensión de la tracción

### **extensión de la cuerda**

la función principal del operador; este es el proceso de aplicación de la fuerza al extremo de la cuerda de tracción. Ver la explicación completa en los Principios de la tracción de cables

### **fuerza de tracción**

la cantidad de tensión de tracción desarrollada por el traccionador de cables, clasificada en newtons (métrico) o libras; un traccionador de cables se describe generalmente por la fuerza de tracción máxima que puede desarrollar

### **fuerza resultante**

cualquier fuerza que se produce cuando dos o más fuerzas actúan sobre un objeto; se aplica a las poleas de un sistema de tracción de cables

### **línea directa de tracción**

las áreas próximas a la cuerda de tracción y a lo largo de su trayectoria; esto incluye las áreas por delante, por detrás y por debajo de la cuerda

### **Newton**

una unidad métrica de la fuerza, equivalente a 0,225 libras de fuerza

### **polea**

una polea que cambia la dirección de la cuerda y el cable

### **poleas de adaptador para tuberías**

se conecta al conductor para el cable de tracción o alimentación

### **rampa de cuerda**

un dispositivo que funciona con un cabrestante cónico; guía la cuerda sobre el cabrestante para evitar que se sobreponga la cuerda

### **sistema de anclaje**

cualquier elemento o grupo de elementos que mantenga un componente de tracción de cables en su lugar durante la tracción de cable

## Principios de la tracción de cables

La tracción de cables es un proceso complejo. Esta sección del manual describe y explica cuatro temas principales de la tracción de cables:

- cada componente del sistema de tracción de cables
- cómo estos componentes trabajan juntos
- las fuerzas que se generan
- procedimientos que debe seguir el operador del traccionador de cables

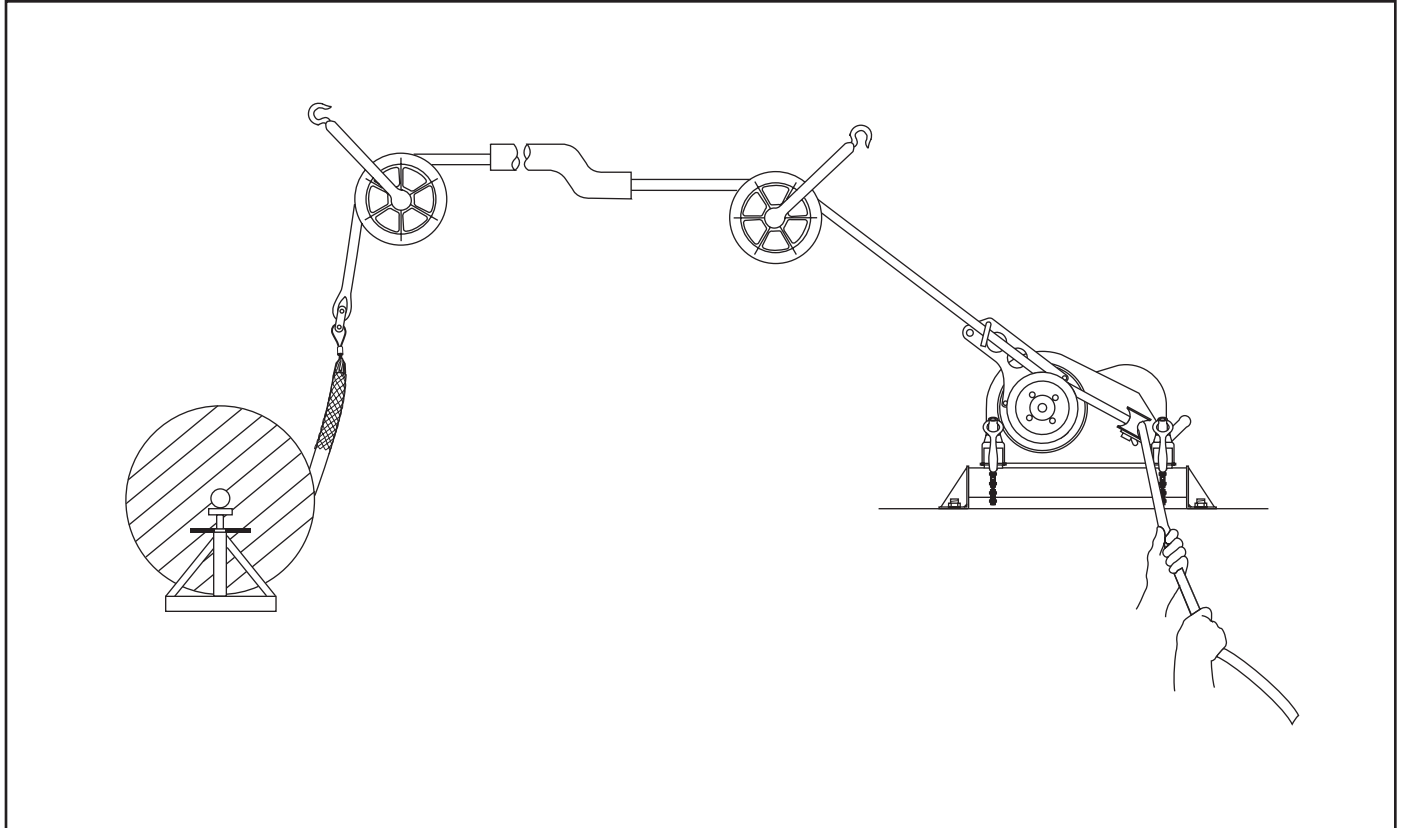
Mientras lea esta sección del manual, busque los componentes que están sombreados en las ilustraciones. El sombreado indica los componentes que están asociados con el texto.

Greenlee recomienda encarecidamente que cada miembro del personal de tracción de cable revise esta sección del manual antes de traccionar cada cable.

## Sistemas de tracción de cables

La tracción de cables requiere un sistema de componentes. Como mínimo, un sistema de tracción de cables incluirá un traccionador de cables, una cuerda de tracción de cables y conectores para unir la cuerda al cable. La mayoría de los sistemas también incluyen, pero no se limitan a, un sistema de anclaje del traccionador de cables, poleas de tracción y sistemas de anclaje de poleas.

El traccionador de cables tiene una cantidad máxima de *fuerza de tracción*, que es la cantidad de tensión de tracción que desarrolla. Todos los demás componentes del sistema de tracción tienen una capacidad nominal máxima, que es la cantidad de tensión de tracción que puede soportar. La *capacidad nominal máxima* de cada componente debe alcanzar o superar la fuerza de tracción máxima de los traccionadores de cables.



**Sistema típico de tracción de cables**

## Principios de la tracción de cables (cont.)

### Teoría de la tracción

Esta sección presenta las ideas principales relacionadas con la tracción de cables.

#### Resistencia a la tracción

El traccionador de cables debe superar dos tipos de resistencia: la gravedad y la fricción.

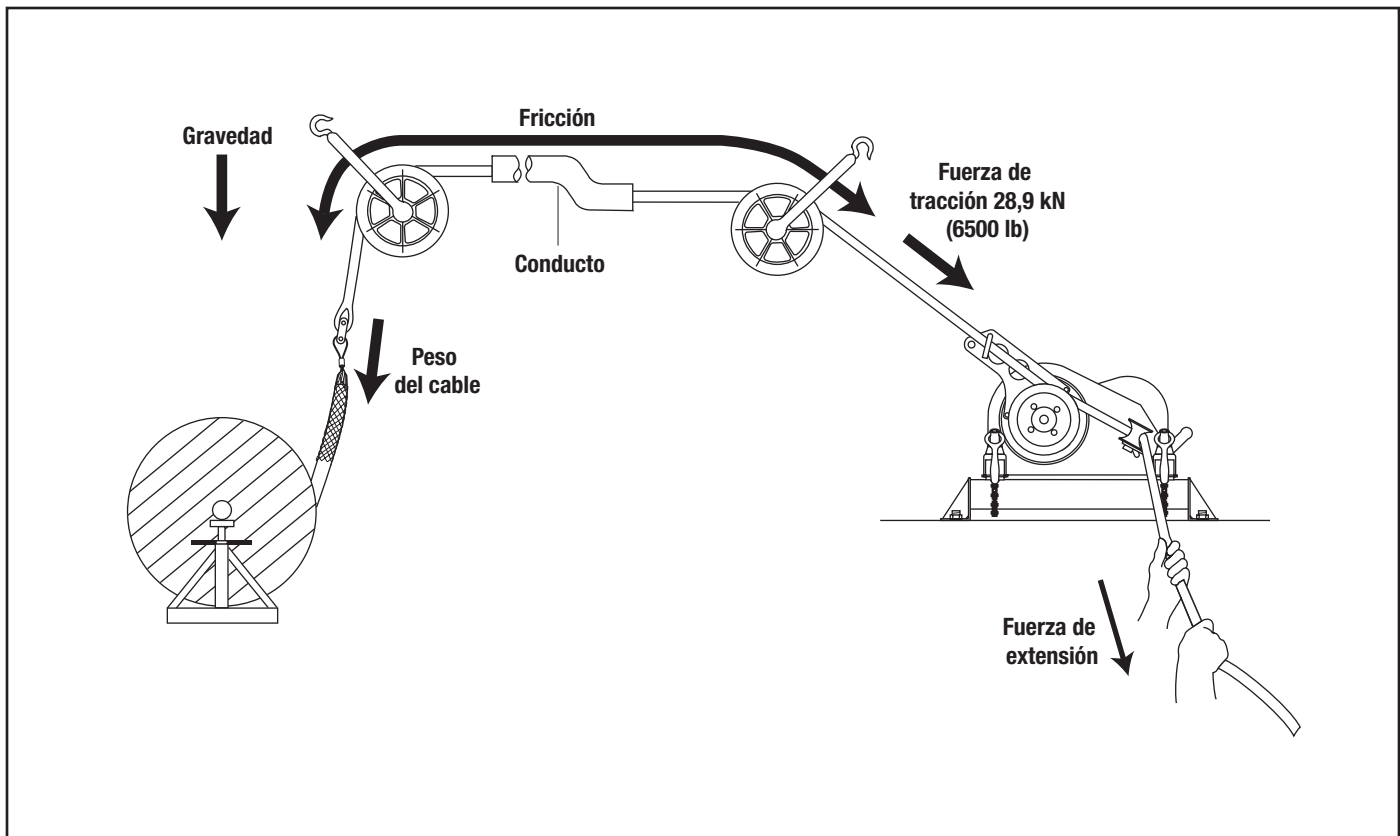
La gravedad ejerce constantemente su fuerza en las partes verticales de la carrera. Cuando la fuerza de tracción se relaja, la gravedad intenta jalar el cable hacia abajo. La fricción se desarrolla donde el cable tiene contacto con las poleas, el conducto y la bandeja. La fricción resiste cualquier movimiento, hacia adelante o hacia atrás, y tiende a mantener los cables en su lugar.

Para lograr una tracción de cables, el sistema de tracción de cables debe desarrollar más fuerza que la combinación de la gravedad y la fricción.

#### Generación de la fuerza de tracción

Para generar la fuerza de tracción, el cabrestante trabaja como *un multiplicador de fuerza*. El operador ejerce una pequeña cantidad de la fuerza en la cuerda. El traccionador de cables multiplica esto y genera la fuerza de tracción.

Esta fuerza de tracción se aplica a la cuerda, los conectores y el cable con el fin de lograr la tracción. La dirección de la fuerza se cambia, si fuera necesario, con poleas de tracción.



Teoría ilustrada de la tracción de cables

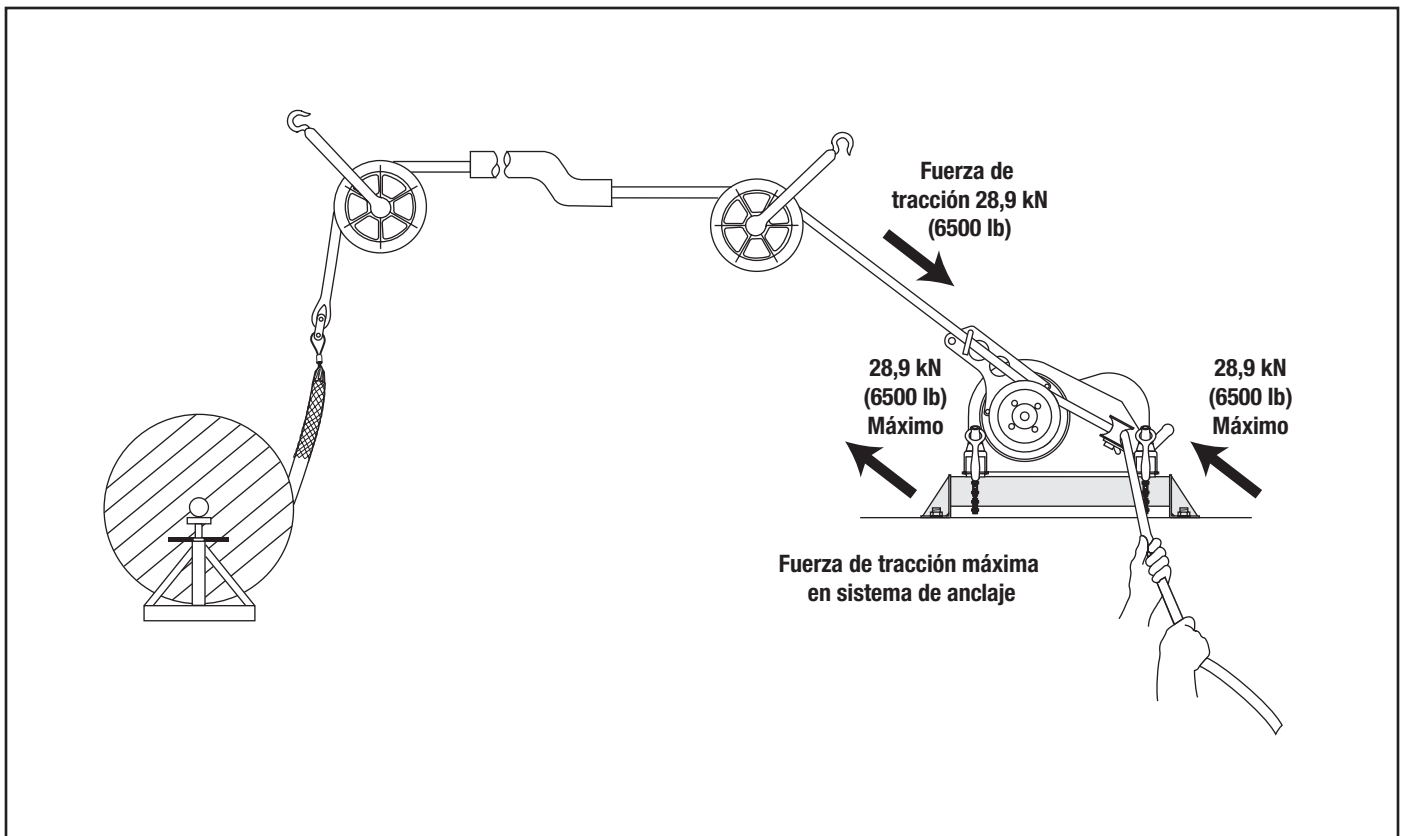
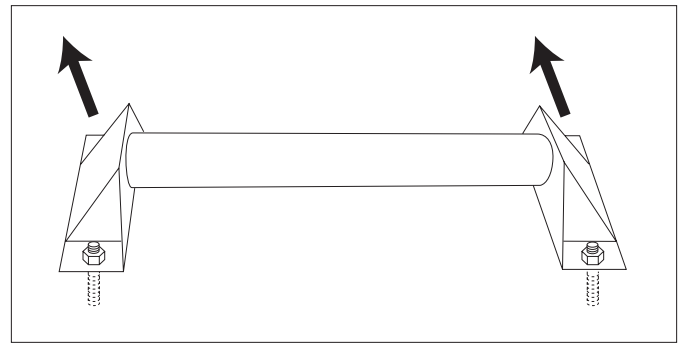
## Principios de la tracción de cables (cont.)

### Fuerzas de tracción de cables

Esta sección proporciona explicaciones detalladas e ilustraciones de las fuerzas que se generan durante la tracción de cables. Estas explicaciones se basan en los conceptos presentados en la última sección, Teoría de tracción.

### En el sistema de anclaje del traccionador de cables

El traccionador de cables ejercerá su fuerza de tracción máxima sobre el sistema de anclaje de los traccionadores de cables. Es extremadamente importante que el sistema de anclaje pueda soportar esta cantidad de fuerza. Consulte "Instalación típica: Montaje para piso" para realizar una instalación adecuada.



Fuerza de tracción en el sistema de anclaje del traccionador de cables

## Principios de la tracción de cables (cont.)

### Fuerzas de tracción de cables (cont.)

#### En el cabrestante

El cabrestante actúa como un *multiplicador de fuerza*. El operador ejerce una pequeña cantidad de tensión, o fuerza de extensión, en la cuerda; el cabrestante multiplica esta fuerza para jalar el cable. La fuerza resultante depende de la cantidad de veces que la cuerda se envuelve alrededor del cabrestante, como se muestra en la siguiente fórmula.

$$\text{Fuerza de tracción} = \text{Fuerza de extensión} \times e^{0,0175\mu\phi}$$

Donde:  $e$  = el logaritmo natural, o 2,7183

$\mu$  = el coeficiente de fricción entre el cable y el cabrestante\*

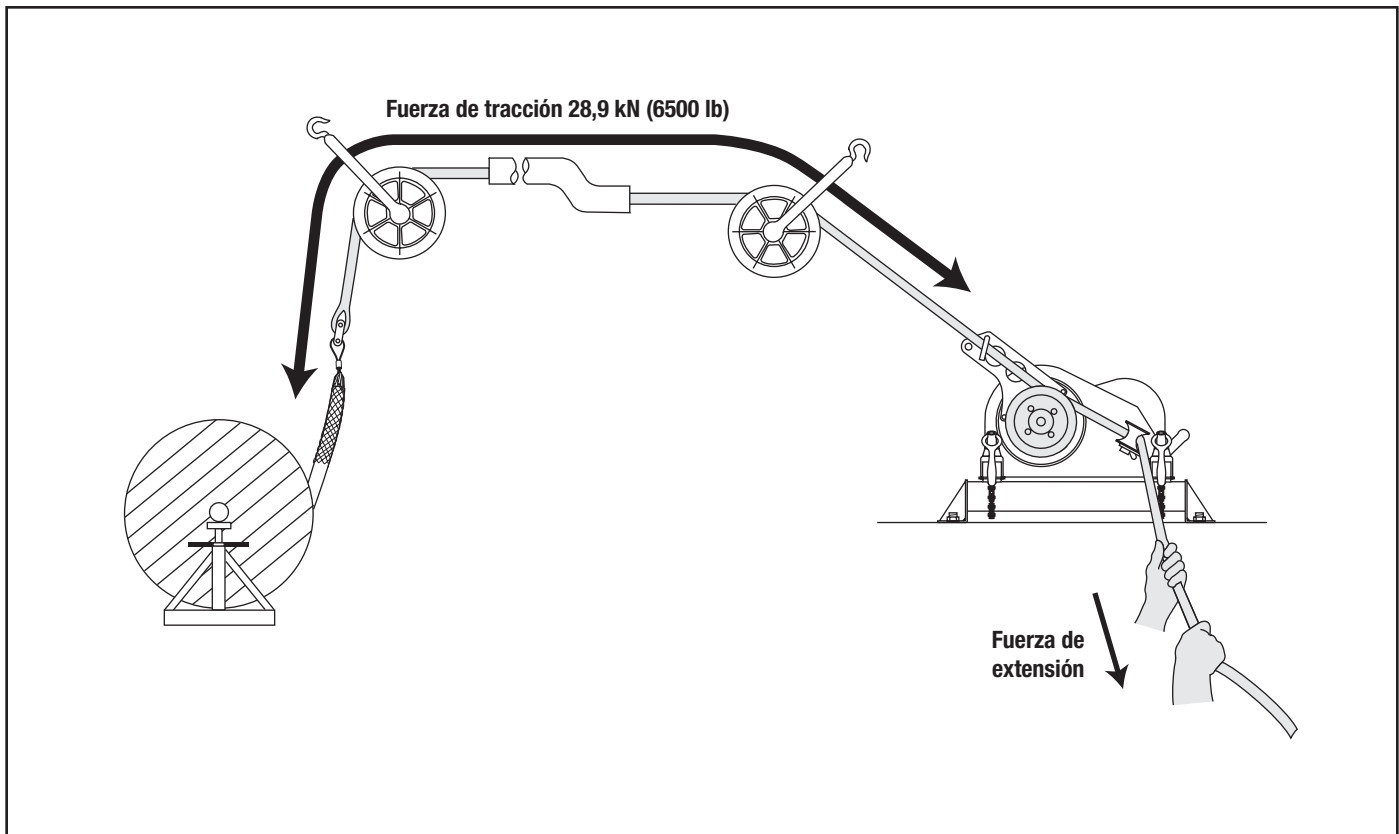
$\phi$  = la cantidad de grados de envoltura de la cuerda alrededor del cabrestante

\* El valor promedio para el coeficiente de fricción cuando la cuerda compuesta de doble trenzado se tracciona sobre un cabrestante limpio y seco es 0,125.

La siguiente tabla se basa en la fórmula anterior. La entrada, o la fuerza de extensión, es constante en 44,5 N (10 lb). Aumentar la cantidad de vueltas aumenta la fuerza de tracción.

Fuerza de extensión del operador	Cantidad de vueltas de la cuerda	Fuerza de tracción aproximada
44,5 N (10 lb)	1	93,4 N (21 lb)
	2	213,5 N (48 lb)
	3	474,9 N (106 lb)
	4	1043,8 N (233 lb)
	5	2293,7 N (512 lb)
	6	5048,9 N (1127 lb)
	7	11,1 kN (2478 lb)

Esta tabla muestra cómo el cabrestante actúa como un multiplicador de fuerza. Debido a que el coeficiente de fricción depende de la condición de la cuerda y el cabrestante, esta fórmula no puede determinar una cantidad exacta de la fuerza de tracción.



El cabrestante como un multiplicador de fuerza.



## Principios de la tracción de cables (cont.)

### Fuerzas de tracción de cables (cont.)

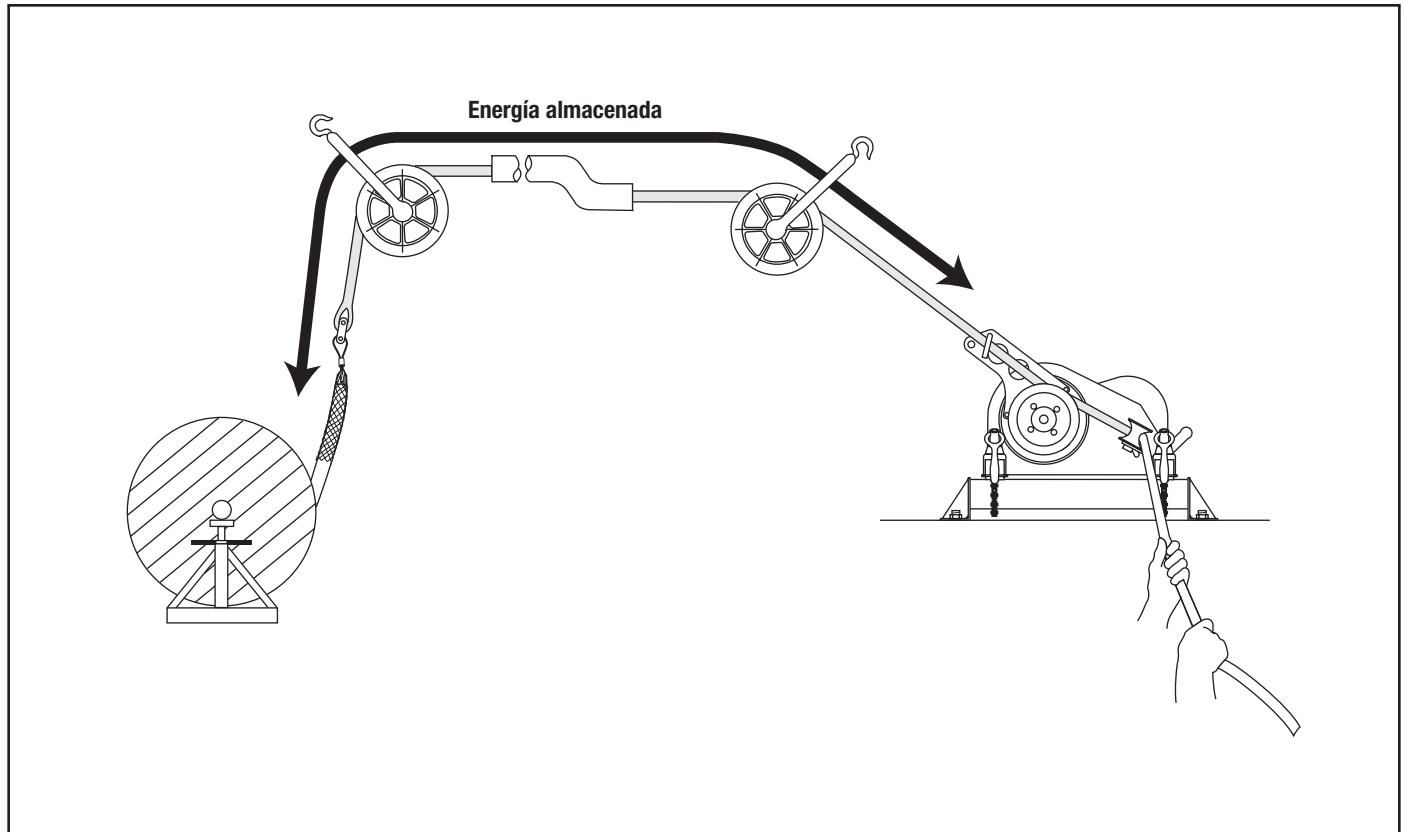
#### En la cuerda de tracción

El producto de una fuerza (F) que se mueve a través de una distancia (d) es la energía (f x d), y se puede medir en newton-metros o pie-libras. La energía se almacena en una cuerda cuando se estira la cuerda. Esto es similar a la manera en que se almacena la energía en una banda elástica cuando se estira. Una falla de la cuerda o cualquier otro componente del sistema de tracción puede causar una liberación descontrolada repentina de la energía almacenada en la cuerda.

Por ejemplo, una cuerda de nylon de 100 metros con una resistencia a la rotura promedio de 50.000 newton podría estirar 40 metros y almacenar 1.000.000 julios de energía. Esto es energía suficiente para lanzar un objeto de 900 kilos, como un automóvil pequeño, a 113 metros en el aire.

Una cuerda compuesta de doble trenzado similar podría almacenar aproximadamente 300.000 julios de energía. Esto podría lanzar el mismo objeto a solo 34 metros en el aire. La cuerda compuesta de doble trenzado almacena mucho menos energía y tiene mucho menos riesgo de lesiones si se rompiera.

La cuerda compuesta de doble trenzado es el único tipo de cuerda recomendada para su uso con el traccionador de cables Super Tugger. Seleccione una cuerda compuesta de doble trenzado con una resistencia a la rotura media nominal de al menos 115,6 kN (26.000 lb).



**Energía almacenada**

## Principios de la tracción de cables (cont.)

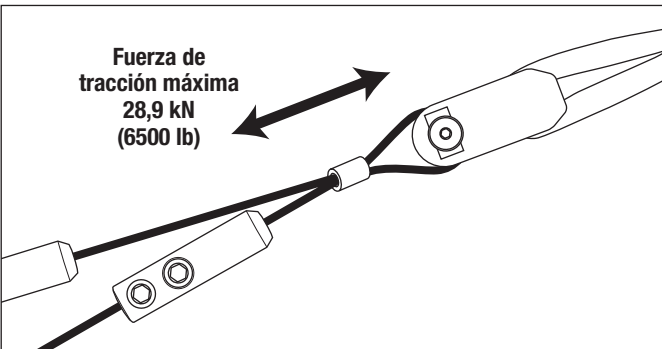
### Fuerzas de tracción de cables (cont.)

#### En los conectores

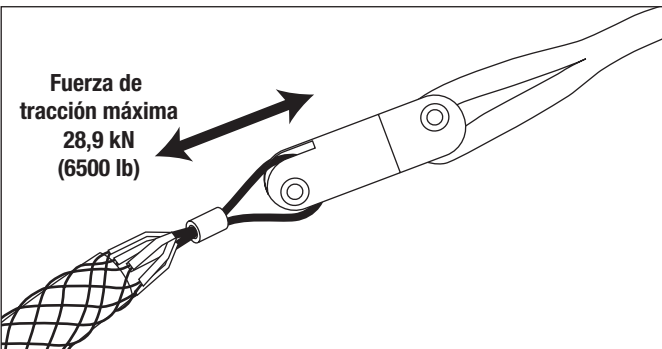
Los conectores serán sometidos a la fuerza de tracción máxima del traccionador de cables.

Hay varios tipos de conectores de cuerda disponibles (horquillas, grilletes giratorios y conectores de cuerda a grillete giratorio). Siga las instrucciones proporcionadas con cada uno para proporcionar una buena conexión.

Hay dos tipos de conectores de cables disponibles (agarraderas de cable y agarraderas de tracción). La agarradera de cable utiliza un tornillo de fijación para sujetarse a los conductores del cable. La agarradera de tracción se compone de una cesta de malla de alambre que se desliza sobre el cable y agarra el aislamiento.



Instalación de una agarradera típica—Agarradera de cable y horquilla



Instalación de una agarradera típica—Agarradera de tracción y grillete giratorio

Al seleccionar una agarradera de tracción, es muy importante seleccionar una agarradera del (1) tipo, (2) tamaño y (3) capacidad nominal máxima correctos.

1. Seleccione el tipo correcto en base a las descripciones de cada tipo en el catálogo de Greenlee.
2. Mida la circunferencia del manajo de cables. (Para hacer esto con precisión, sujete una correa de unión alrededor del manajo. Corte y deseche el extremo. A continuación, corte la correa de unión y mida su longitud.) Utilice la tabla provista para encontrar el tamaño correcto.
3. Consulte las capacidades máximas nominales en el catálogo de Greenlee.

#### Tabla de tamaños de la agarradera de tracción

Rango de circunferencia		Diámetro de agarradera requerido	
pulgada	mm	pulgada	mm
1,57–1,95	39,9–49,5	0,50–0,61	12,7–15,5
1,95–2,36	49,5–59,9	0,62–0,74	15,8–18,8
2,36–3,14	59,9–79,8	0,75–0,99	19,1–25,1
3,14–3,93	79,8–99,8	1,00–1,24	25,4–31,5
3,93–4,71	99,8–119,6	1,25–1,49	31,8–37,8
4,71–5,50	119,6–139,7	1,50–1,74	38,1–44,2
5,50–6,28	139,7–159,5	1,75–1,99	44,5–50,5
6,28–7,85	159,5–199,4	2,00–2,49	50,8–63,2
7,85–9,42	199,4–239,3	2,50–2,99	63,5–75,9
9,42–11,00	239,3–279,4	3,00–3,49	76,2–88,6
11,00–12,57	279,4–319,3	3,50–3,99	88,9–101,3
12,57–14,14	319,3–359,2	4,00–4,49	101,6–114,0
14,14–15,71	359,2–399,0	4,50–4,99	114,3–126,7

## Principios de la tracción de cables (cont.)

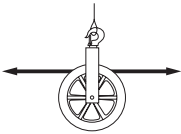
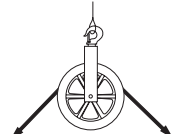
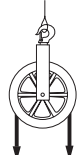
### Fuerzas de tracción de cables (cont.)

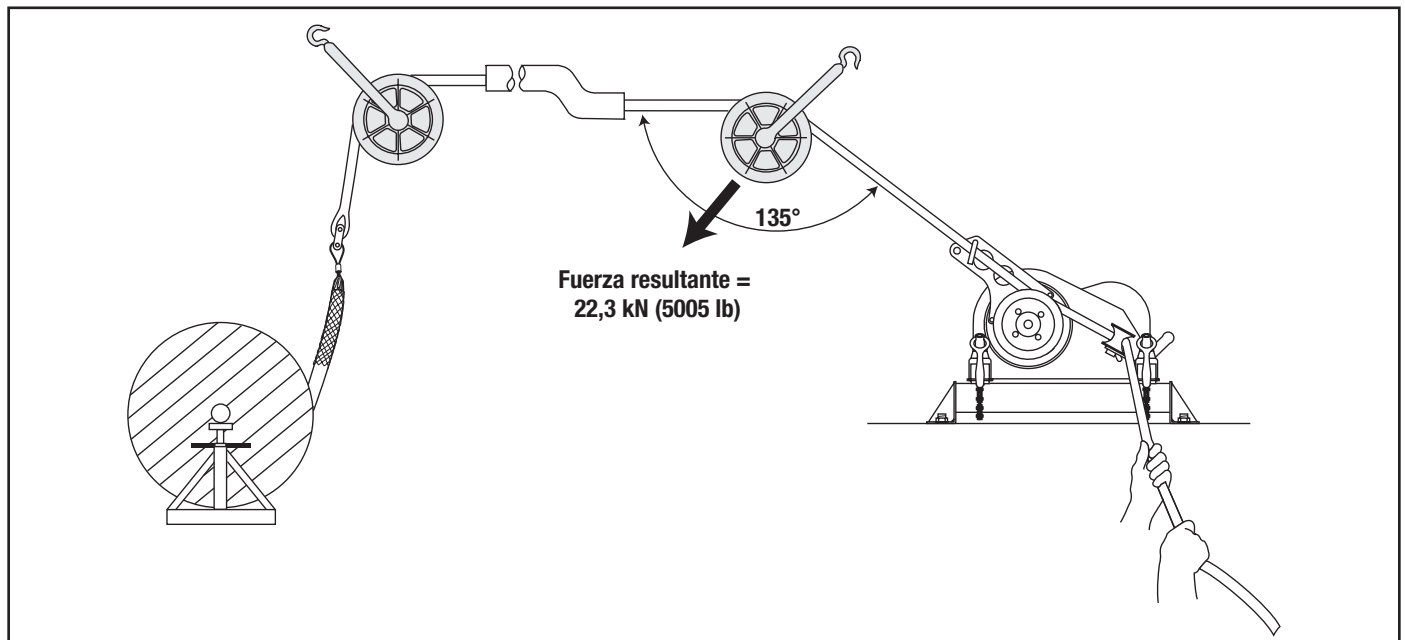
#### En las poleas

Las poleas se usan para cambiar la dirección de la tracción. Un cambio en la dirección crea una nueva *fuerza resultante* que puede ser *mayor que* la fuerza de tracción máxima del traccionador de cables. Esta nueva fuerza resultante se ejerce sobre las poleas, el sistema de anclaje de polea, y las estructuras de apoyo ilustrados.

La cantidad resultante de la fuerza depende del ángulo del cambio de dirección. Aquí se proporciona una breve tabla; para más detalles, consulte IM 1363 (99929988).

**Tabla de fuerza resultante para el Super Tugger (Fuerza de tracción máxima 28,9 kN o 6500 lb)**

Ilustración	Ángulo de cambio de dirección	R
	180°	0 (0)
	150°	15 (3380)
	135°	22,3 (5005)
	120°	28,9 (6500)
	90°	40,8 (9165)
	60°	50,0 (11.245)
	45°	53,5 (12.025)
	30°	55,8 (12.545)
	0°	57,8 (13.000)



**Fuerza resultante típica en la polea**

## Principios de la tracción de cables (cont.)

### Extensión de la cuerda

Se debe jalar la cuerda del cabrestante mientras avanza la tracción. La cuerda que ha dejado el cabrestante es el “extremo”. El proceso de jalar la cuerda del cabrestante se llama *extensión de la cuerda*.

La resistencia del cable varía durante la tracción del cable. Los cambios en la resistencia se deben a las características de la cuerda, los cambios en la dirección del conducto y los cambios en la cantidad de fricción. El “aspecto” de la cuerda proporciona esta información acerca de la tracción. Esto se llama *reacción táctil*. Ajuste la fuerza de extensión cuando sea necesario para compensar estos cambios.

### Controle la tracción

La disminución de la fuerza de extensión disminuirá la fuerza de tracción, hasta que la cuerda se deslice sobre el cabrestante y se detenga la tracción. Esto proporciona un alto nivel de control sobre el progreso de la tracción del cable.

No permita que la cuerda se deslice sobre el cabrestante durante más de unos pocos momentos. Si fuera necesario detener por completo un tracción, apague el traccionador y mantenga una fuerza de extensión suficiente como para sostener el cable en su lugar. Ate la cuerda para mantenerla en su lugar. Use la cuerda atada para mantenerla en su lugar.

### Cantidad de fuerza de extensión

Si bien la cuerda y el cable están bajo tensión, es importante mantener la cantidad apropiada de fuerza de extensión.

Si hay *muy poca* fuerza de extensión, esto permitirá que la cuerda se deslice sobre el cabrestante. Esto acumulará calor excesivo y acelerará el desgaste de la cuerda, lo que aumentará la posibilidad de romper la cuerda.

La cantidad apropiada de fuerza de extensión evitará que la cuerda se deslice sobre el cabrestante y produzca una cantidad suficiente de fuerza de tracción como para jalar la cuerda y el cable.

*Demasiada* fuerza de extensión es cualquier cantidad superior a la necesaria para detener el deslizamiento lateral de la cuerda en el cabrestante. La fuerza de extensión excesiva no aumentará la fuerza de tracción o la velocidad de tracción.

### Cantidad de vueltas de la cuerda alrededor del cabrestante

Un operador con experiencia debe elegir la cantidad de veces que la cuerda se envuelve alrededor del cabrestante.

La cantidad apropiada de vueltas le permite al operador controlar el progreso de la tracción con una cantidad cómoda de esfuerzo.

El uso de *muy pocas* vueltas requiere una gran fuerza de extensión para lograr la tracción. El uso de muy pocas vueltas también hace que haya mayores probabilidades de que la cuerda se resbale en el cabrestante. Esto acumula calor y acelera el desgaste de la cuerda.

Al usar *demasiadas* vueltas, la cuerda se sujeta al cabrestante con más fuerza. Esto acelera el desgaste de la cuerda, desperdicia energía y aumenta la posibilidad de que se sobreponga la cuerda. El uso de demasiados abrigos también reduce la reacción táctil, por lo que usted recibe menos información acerca de la tracción. No puede relajar rápidamente la fuerza de extensión cuando hay demasiadas vueltas.

Si la cuerda se vuelve difícil de extender, agregue otra vuelta de cuerda. Desactive el traccionador y libere toda la tensión en la cuerda. Agregue una vuelta y reanude la tracción. Tenga en cuenta, sin embargo, que algunas tracciones requerirán tensión para mantener los cables en su lugar. En estos casos, no intente liberar toda la tensión y agregue una vuelta de cuerda. Usted tendrá que anticipar la cantidad de vueltas antes de iniciar la tracción.

### Cómo evitar que se sobreponga la cuerda

No permita que la cuerda se sobreponga en el cabrestante durante una tracción.

Una cuerda que se sobrepone hará que sea imposible continuar o retroceder la tracción.

Si la cuerda se sobrepone, usted perderá el control de la tracción: la cuerda avanzará sin la fuerza de extensión y no alimentará al cabrestante. El cabrestante no permitirá invertir la dirección de la cuerda, por lo que usted no puede retroceder en una superposición.

Instale el traccionador correctamente. La rampa de la cuerda y el cabrestante cónico están destinados a evitar la superposición de la cuerda. Consulte las instrucciones en la sección Funcionamiento de este manual.

Cada vuelta de la cuerda debe permanecer en contacto directo con el cabrestante. Al jalar, tenga mucho cuidado para evitar que la cuerda entrante suba y se sobreponga a la próxima vuelta. Si comienza a desarrollarse una superposición, relaje inmediatamente la fuerza de extensión en la cuerda de manera que la cuerda pueda alimentar nuevamente al conducto o la bandeja.

Cuando la cuerda reanuda su trayecto normal, aplique la fuerza de extensión y continúe la tracción.

No hay una solución sugerida para una superposición de cuerda. **¡No permita que la cuerda se sobreponga!**



## Principios de la tracción de cables (cont.) **Planificación de la tracción**

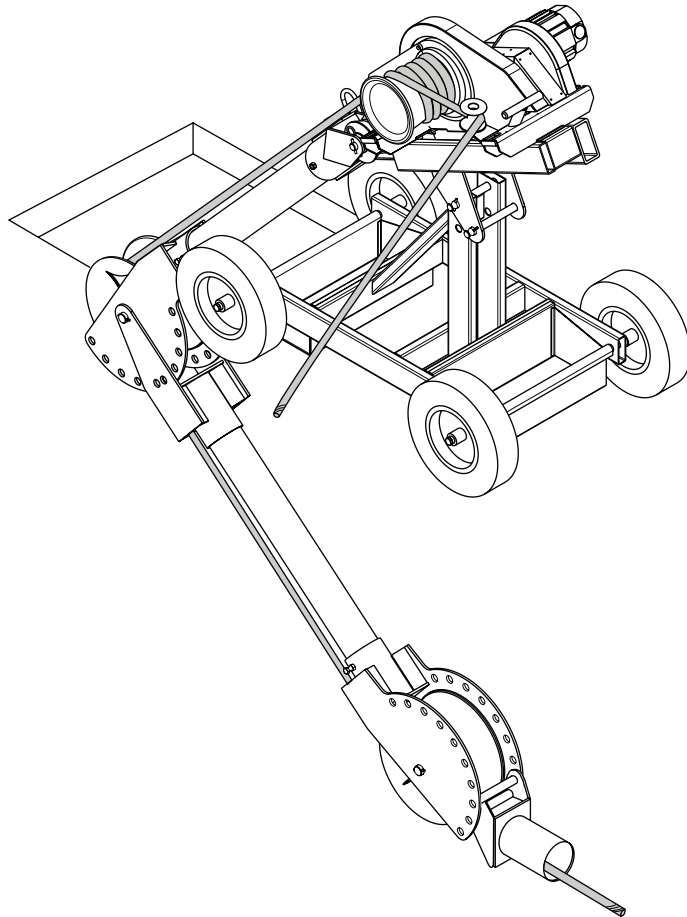
### Resumen de los principios de la tracción de cables

- Un sistema de tracción de cables se compone de muchos componentes que trabajan juntos para lograr un tracción.
  - El traccionador de cables se clasifica por su fuerza de tracción máxima; todos los demás componentes se clasifican por su capacidad nominal máxima. La capacidad nominal máxima de cada componente debe alcanzar o superar la fuerza de tracción máxima del traccionador de cables.
  - El traccionador de cables debe superar dos tipos de resistencia: la gravedad y la fricción. El cabrestante del traccionador, la cuerda de tracción y el operador que jala la cuerda trabajan juntos para producir la fuerza de tracción.
  - El traccionador de cables ejerce fuerza sobre todos los componentes del sistema de tracción de cables, que incluye los sistemas de anclaje y las estructuras de soporte.
  - La energía se almacena en una cuerda cuando la carga hace que se estire la cuerda. Una falla de la cuerda o de cualquier otro componente puede causar una liberación repentina de la energía. Reemplace cualquier cuerda que esté gastada o dañada.
  - Seleccione cuidadosamente la cantidad de vueltas de cable alrededor del cabrestante antes de iniciar la tracción.
  - Controle la tracción al extender la cuerda. Esté familiarizado con la interacción de la cuerda y el cabrestante.
  - No permita que se desarrolle una superposición de cuerda.
- Jale en una dirección que requiera la menor cantidad de fuerza de tracción.
  - Planifique varias tracciones cortas que menos tracciones largas.
  - Localice el traccionador lo más cerca posible del final del conducto como para que sea posible minimizar la cantidad de cuerda expuesta a la tensión.
  - Coloque cada componente de manera que las fuerzas de tracción se utilicen eficazmente.
  - Seleccione un sistema de anclaje: preferentemente las poleas del adaptador, o el montaje para piso.
  - Verifique que cada componente tenga la clasificación de carga adecuada.
  - Inspeccione los soportes estructurales. Verifique que tengan suficiente resistencia para tolerar las fuerzas máximas que puedan generarse.

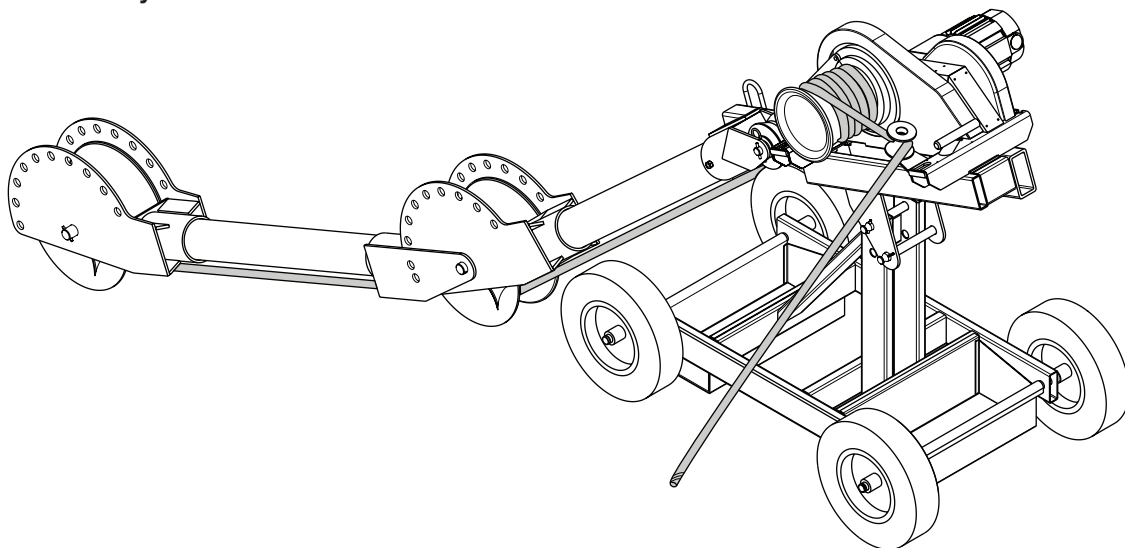
**Instalaciones típicas— con el paquete de adaptadores 11147**

Las instalaciones se muestran sin dinamómetro. Coloque el dinamómetro para que el operador tenga una vista sin obstáculos del calibre y un acceso rápido a su interruptor de ENCENDIDO/APAGADO (ON/OFF).

**Jalar horizontalmente en el pozo  
con dos plumas, unidad de la boquilla,  
unidad de codo y conector de deslizamiento**



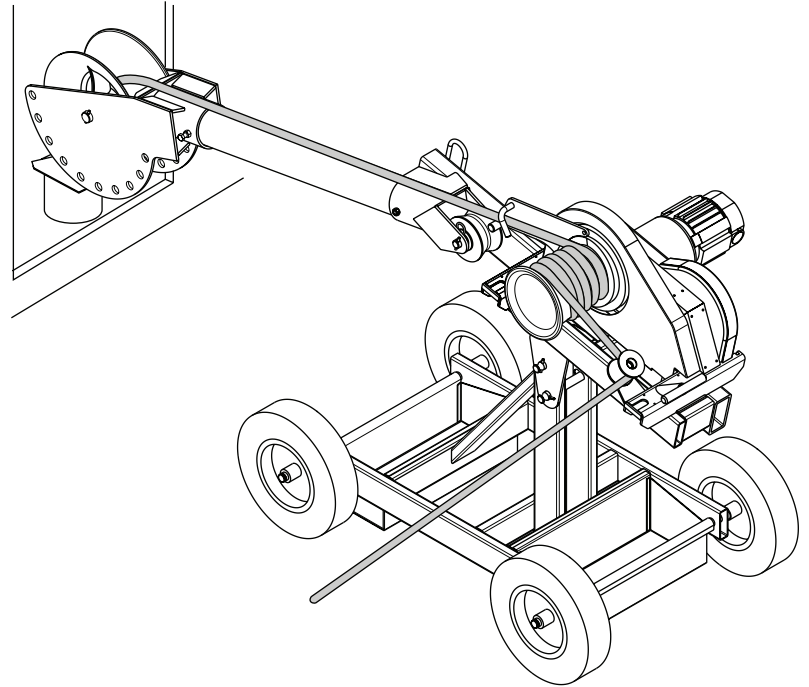
**Jalar horizontalmente en el pozo  
con dos plumas, unidad de la boquilla,  
unidad de codo y conector de deslizamiento**



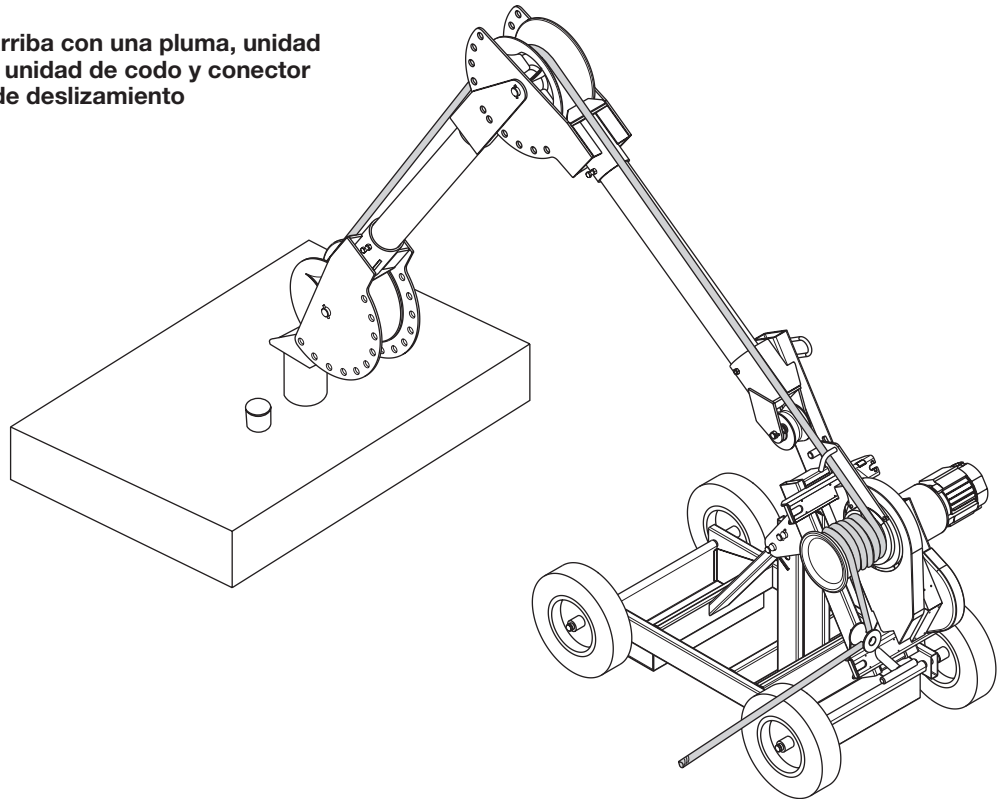
**Instalaciones típicas— con el paquete de adaptadores 11147 (cont.)**

Las instalaciones se muestran sin dinamómetro. Coloque el dinamómetro para que el operador tenga una vista sin obstáculos del calibre y un acceso rápido a su interruptor de ENCENDIDO/APAGADO (ON/OFF).

Jalar hacia arriba con una pluma,  
unidad de boquilla y conector  
de deslizamiento

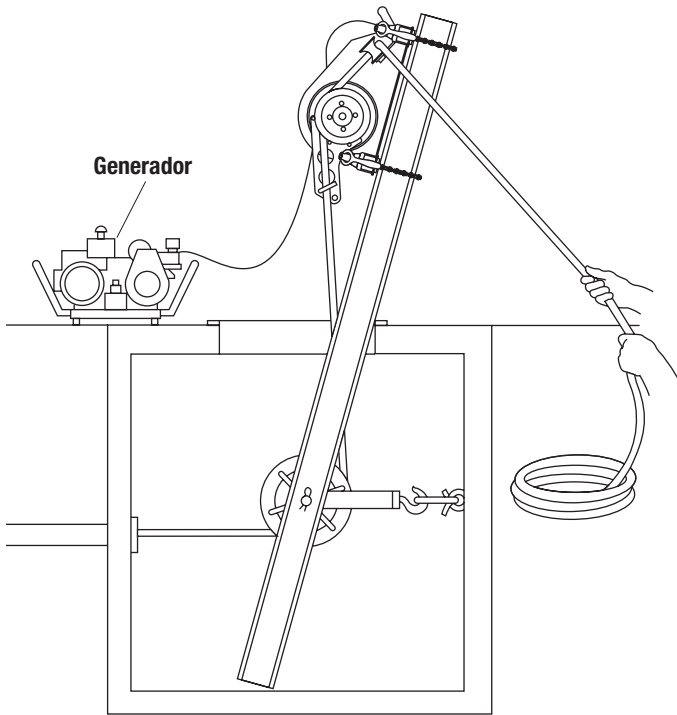


Jalar hacia arriba con una pluma, unidad  
de boquilla, unidad de codo y conector  
de deslizamiento

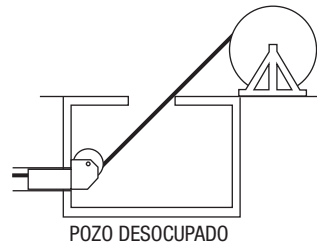


**Instalaciones típicas (cont.)**

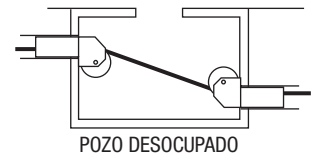
Las instalaciones se muestran sin dinamómetro. Coloque el dinamómetro para que el operador tenga una vista sin obstáculos del calibre y un acceso rápido a su interruptor de ENCENDIDO/APAGADO (ON/OFF).



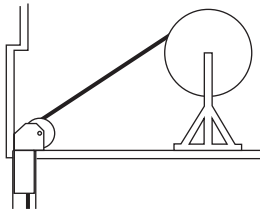
**Uso de una polea de pozo**



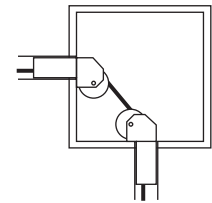
POZO DESOCUPADO



POZO DESOCUPADO

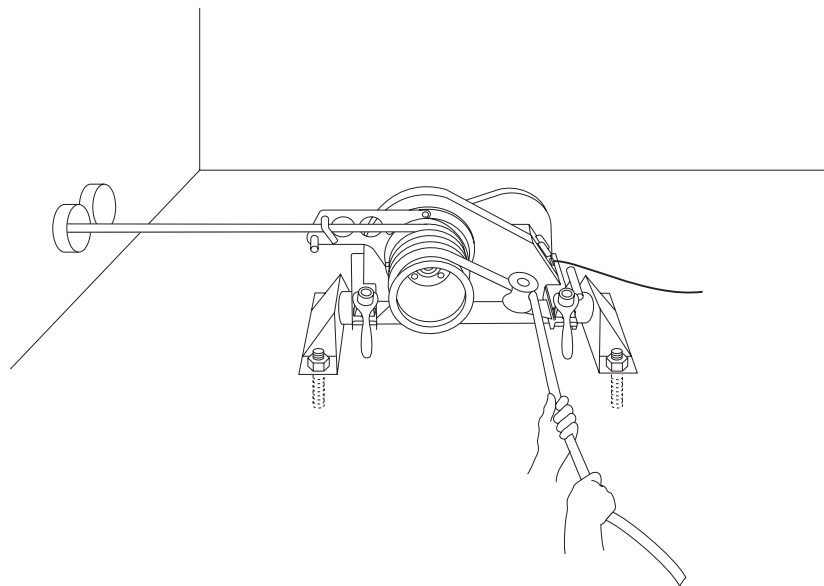


SOBRE LA TIERRA



POZO DESOCUPADO

**Uso de poleas de alimentación en pozos**



**Uso de un montaje para piso**

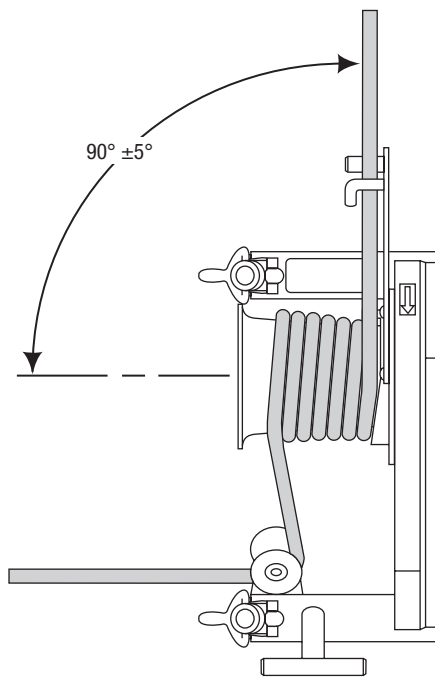


## Colocación y operación

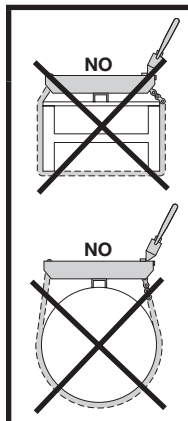
Mientras lea esta sección del manual, busque los componentes que están sombreados en las ilustraciones. El sombreado indica los componentes que están asociados con el texto que acompaña.

1. Busque la cuerda a través del conducto.
2. Instale el montaje del traccionador de cables. Instálolo de modo que la cuerda se acerque al cabrestante en un ángulo de 90° ( $\pm 5^\circ$ ) como se ilustra en Acercamiento de la cuerda al cabrestante.

*Nota: Si utiliza una polea de adaptador, adaptador de tubo flexible o pluma en "T" móvil, consulte las ilustraciones de este manual. Si utiliza una polea de pozo o un montaje para piso, consulte las instrucciones suministradas con esos artículos.*



**Acercamiento de la cuerda al cabrestante**

	<p style="text-align: center;"><b>⚠ ADVERTENCIA</b></p> <p>Al instalar el adaptador de tubería flexible o traccionador, no utilice las cadenas de tornillo de banco sobre un soporte estructural que esté a menos de 51 mm (2 in) o más de 254 mm (10 in) de ancho. Un soporte estructural demasiado grande o demasiado pequeño puede hacer que el traccionador se deslice o se suelte y golpee al personal cercano con fuerza suficiente como para causar lesiones graves o la muerte.</p>
---	---

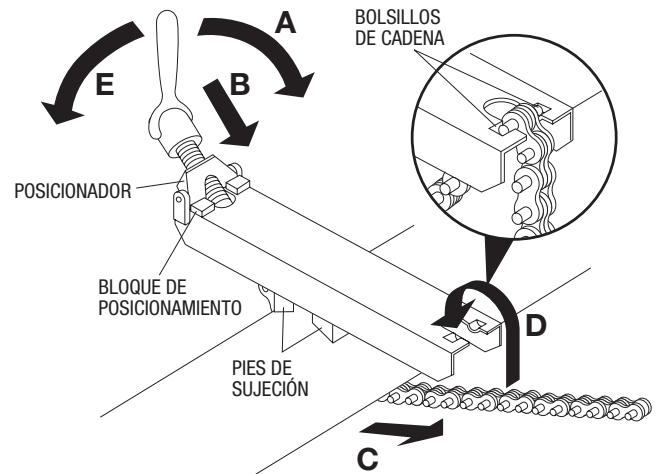
## ⚠ ADVERTENCIA

Instale las cadenas de tornillo de banco correctamente.

- Siga las instrucciones de ajuste de las cadenas de tornillo de banco con cuidado. Las cadenas que no estén correctamente ajustadas pueden permitir que el traccionador se deslice o se suelte y golpee al personal cercano.
- No permita que las cadenas de tornillo de banco se unan en las esquinas al montar el traccionador a un soporte cuadrado o rectangular. La cadena de tornillo de banco debe estar ajustada de manera uniforme en todos los puntos.

No observar estas advertencias puede resultar en lesiones graves o la muerte.

3. Instale las cadenas de tornillo de banco como se muestra.



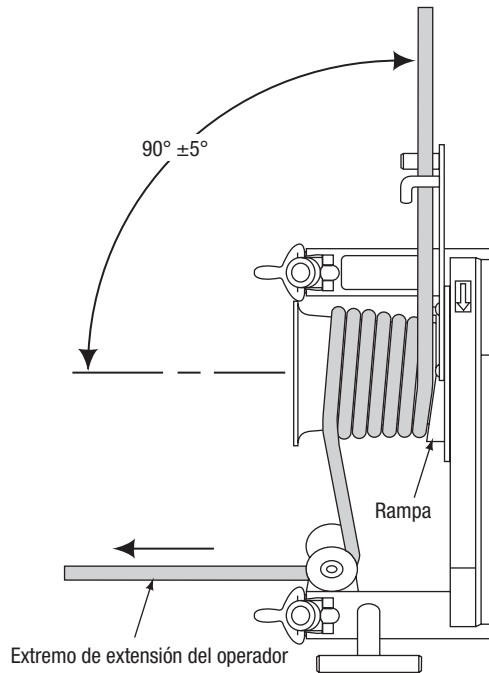
**Instalación de las cadenas de tornillo de banco**

- a. Gire el mango de la cadena tornillo de banco para exponer la mayor parte de los hilos. Deje solo tres o cuatro hilos vinculadas al mango.
  - b. Enhebre la cadena a través del agujero del armazón. Instale el posicionador contra los bloques de posicionamiento.
  - c. Envuelva la cadena alrededor del conducto, adaptador de polea de tubería o elemento estructural.
  - d. Jale la cadena de tornillo de banco hasta ajustarla e inserte los pasadores de la cadena en los bolsillos de la cadena, o cavidades.
  - e. Gire el mango para ajustar ligeramente la cadena.
  - f. Repita los pasos A-E para la otra cadena.
4. Gire los mangos de la cadena de tornillo de banco, con la mano, en el sentido de las agujas del reloj para ajustar totalmente la cadena. No use herramientas, extensiones o "prolongadores".

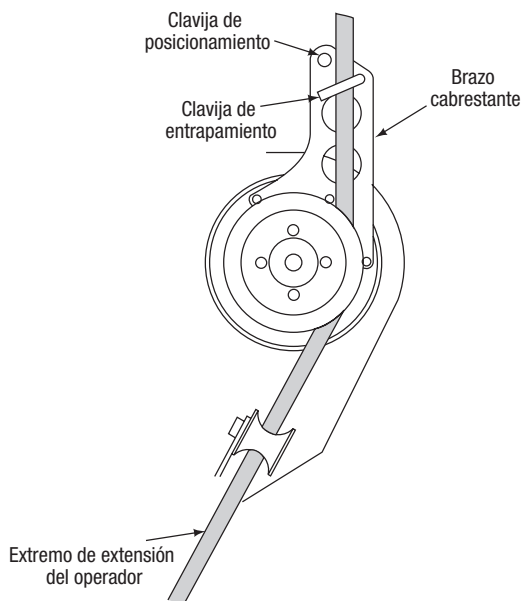
## Colocación y operación (cont.)

5. Nivele la rampa de la cuerda y oriente la cuerda como se ilustra en Trayecto de la cuerda, vista superior y Trayecto de la cuerda, vista lateral.

*Nota: Use cada componente del trayecto de la cuerda (clavija de posicionamiento, clavija de entrapamiento, rampa de cuerda y cabrestante cónico) tal como se muestra para ayudar a prevenir la superposición de la cuerda.*



**Trayecto de la cuerda, vista superior**



**Trayecto de la cuerda, vista lateral**

6. Verifique el interruptor de ENCENDIDO/APAGADO (ON/OFF) en el traccionador para asegurarse de que esté APAGADO (OFF). Conecte el traccionador al receptáculo del dinamómetro estándar. Conecte el dinamómetro a un suministro de energía adecuado (consulte Instrucciones de conexión a tierra de este manual).

*Nota: Si utiliza un cable de extensión, debe estar clasificado para 20 amperios. Utilice el cable más corto posible. Los cables más largos reducen la velocidad del traccionador.*

7. Coloque el dinamómetro de modo que pueda ser controlado por el operador del traccionador.

### Tabla del ciclo de operación

Color de la banda en el metro	Libras de fuerza de tracción	Alarma	Ciclo de operación (en minutos)
Verde	0-5000	apagado (off)	continuo
Amarillo	5000-5500	encendido (on)	15 encendido (on)/15 apagado (off)
Amarillo	5500-6500	encendido (on)	5 encendido (on)/15 apagado (off)
Rojo	más de 6500	encendido (on)	el traccionador se detendrá

8. Agarre el extremo de extensión de la cuerda. Aplique una pequeña cantidad de la fuerza de extensión.
9. Encienda el traccionador en ENCENDIDO (ON).
10. Extienda la cuerda, lo que permitirá que la cuerda gastada se acumule en el piso entre el operador y el traccionador.
- Nota: El brazo de cabrestante está pensado para girar. No impedir que el brazo gire.*
11. Cuando se complete la tracción, apague el traccionador en APAGADO (OFF). Ate la cuerda a la grapa en forma de "T" y sujete el cable.

## Extracción del cable

La extracción del cable viejo implica el uso de los mismos principios que la instalación de un nuevo cable. Sin embargo, hay algunas diferencias importantes.

### Fuerza de tracción

Es difícil predecir la cantidad de fuerza de tracción necesaria para extraer un cable viejo. El cable puede estar dañado y puede romperse con una fuerza de tracción inesperadamente baja.

Las fuerzas de tracción requeridas pueden ser muy altas:

- El cable probablemente ha “tomado forma”. A diferencia del nuevo cable en una bobina, el cable en un conducto probablemente ha estado en el conducto durante años, o tal vez décadas. El cable se resistirá a doblarse y estirarse mientras se lo jala a través del conducto.
- El lubricante de tracción probablemente se haya endurecido, lo que aumenta la resistencia de tracción.
- El aislamiento puede estar dañado y el cable puede estar corroído.
- La suciedad u otras materias extrañas pueden haber entrado en el conducto y pueden haber cimentado el cable en el lugar.

### Uso de un dinamómetro

Al jalar un cable viejo hacia fuera de un conducto, la fuerza de tracción será más alta que cuando se inicia la tracción. Seleccione un traccionador de cable y los componentes de tracción para alcanzar o exceder la cantidad estimada de la fuerza de tracción necesaria para retirar el cable viejo. Dado que al soltar el cable se requerirá mayor cantidad de fuerza de tracción, es necesario que se use un dinamómetro para evitar la sobrecarga de los componentes del sistema. Para el Super Tugger de 120 V, use el dinamómetro 37179. Para el Super Tugger de 220 V, use el dinamómetro 35638.

Controle cuidadosamente la fuerza de tracción en el dinamómetro; si el traccionador no puede comenzar la tracción, corte el traccionador y desmonte la instalación. Empiece nuevamente con un traccionador y componentes de una clasificación de fuerza mayor.

### Colocación del traccionador

La extracción del cable viejo se realiza generalmente con el traccionador situado a cierta distancia desde el extremo del conducto. Esto permite que el personal de tracción pueda jalar una buena parte del cable antes de apagar el traccionador, cortar el cable y volver a colocar la(s) agarradera(s). Al montar el traccionador de cables a una distancia desde el extremo del conducto se aumenta la cantidad de cuerda expuesta y esto, a su vez, aumenta en gran medida la cantidad de acción de látigo violento que se produciría si la cuerda u otros componentes se rompieran.

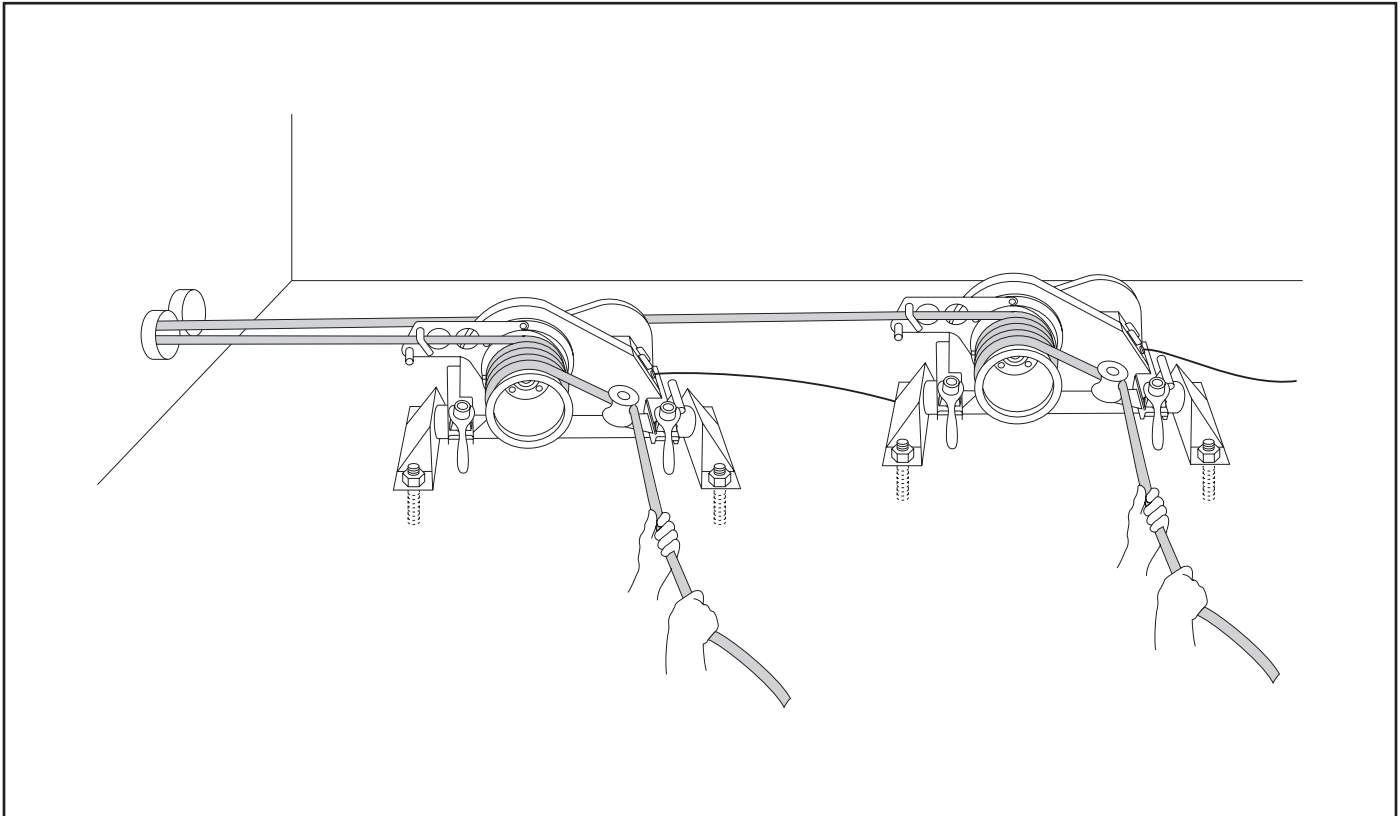
Para aislar al operador del trayecto de la cuerda:

- Localice el traccionador de modo que usted esté de pie detrás de una obstrucción, como por ejemplo una pared. Instale el traccionador de modo que pueda mantener el control de la tracción. Necesitará una visión clara de la cuerda mientras se monta en el cabrestante, lo que incluye varios pies de la cuerda delante del cabrestante. Usted debe poder apagar el traccionador antes de que la agarradera de tracción, el conector o los grilletes giratorios entren en contacto con el cabrestante.
- Utilice una polea de tracción adicional para cambiar la dirección de la cuerda de extensión. Sujete la polea de modo que esté lo suficientemente cerca para mantener el control de la tracción. Necesitará una visión clara de la cuerda mientras se monta en el cabrestante, lo que incluye varios pies de la cuerda delante del cabrestante. Usted debe poder apagar el traccionador antes de que la agarradera de tracción, el conector o los grilletes giratorios entren en contacto con el cabrestante.  
*Nota: Utilice la polea de tracción adicional para cambiar la dirección de la cuerda de extensión (después de que la cuerda salga del cabrestante). No cambie la dirección de la cuerda de tracción.*
- Use una cuerda de extensión más larga que lo habitual y párese lejos del traccionador. Párese tan lejos de la polea como sea posible, mientras mantiene el control de la tracción. Necesitará una visión clara de la cuerda mientras se monta en el cabrestante, lo que incluye varios pies de la cuerda delante del cabrestante. Usted debe poder apagar el traccionador antes de que la agarradera de tracción, el conector o los grilletes giratorios entren en contacto con el cabrestante.

### Doble tracción

Cuando la cantidad estimada de la resistencia de tracción excede la capacidad del traccionador, se pueden utilizar dos extractores para llevar a cabo la tracción. Conecte los dos traccionadores a los cables en paralelo; use dos juegos

de cuerdas, agarraderas y otros accesorios para evitar la sobrecarga de cualquiera de los componentes del sistema de tracción.




**Doble tracción**

## Mantenimiento

Lea todas las instrucciones cuidadosamente. Asegúrese de entender todas las instrucciones y tener las herramientas necesarias disponibles antes de desmontar el traccionador.

Actividad de servicio	Cronograma
Lubrique las cadenas de transmisión	cada 20 horas
Aplique grasa a los ejes de las cadenas de transmisión	
Inspeccione las cadenas y el trinquete	cada 40 horas
Inspeccione los cepillos del conmutador	

	<b>⚠ ADVERTENCIA</b>
	<p>Riesgo de descarga eléctrica: Desconecte el traccionador de cables del suministro de energía antes de realizar el mantenimiento.</p> <p>No observar esta advertencia podría resultar en lesiones graves o la muerte.</p>

### Lubricación de las cadenas de transmisión (cada 20 horas)

1. Retire el protector exterior derecho (69) y el protector exterior izquierdo (4).
2. Lubrique el interior de las cadenas de transmisión con aceite para engranajes de 80W-90W.
3. Reemplace los protectores y los tornillos.

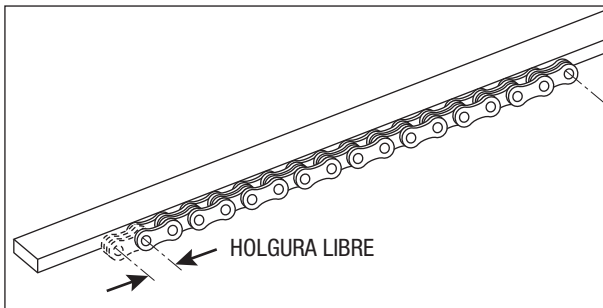
### Aplique grasa a los ejes de los mecanismos de transmisión (cada 20 horas)

Aplique grasa grado 2 NLGI multipropósito (como Mobil HP o Amoco Permalub) en los puntos de engrase (5 y 37). Estos puntos de engrase se encuentran dentro de la carcasa del cabrestante y debajo del eje intermedio (31).

## Mantenimiento (cont.)

### Inspeccione las cadenas y el trinquete (cada 40 horas)

1. Retire el protector exterior derecho (69), el protector exterior izquierdo (4) y el protector derecho (61).
2. Retire el conector de conducto (72) y la cadena N.º 40 (71).
3. Retire los tornillos de retención del cabrestante (2). Retire el tornillo lubricante (5) y las arandelas (6-9). Retire la unidad de cabrestante (10-19). Retire el conector de conducto (21) y la cadena N.º 60 (20).
4. Limpie profundamente las cadenas con solvente.
5. Coloque las cadenas contra una regla. Deslice en el extremo de la cadena hacia atrás y adelante para comprobar la holgura libre. Consulte la ilustración siguiente. Si la holgura libre es más de 3/8 in, reemplace la cadena. Cambie la cadena si se unen algunos enlaces.



6. Lubrique las cadenas con aceite para engranajes de 80W-90W.
7. Retire el trinquete (43) y el resorte de compresión (44). Aplique grasa grado 2 NLGI multipropósito (como Mobilgrease® HP o Amoco Permalub) en todas las superficies de trabajo. Reemplace el resorte y el trinquete.
8. Monte la cadena N.º 40 (70).  
*Nota: Instale el clip de cada conector de conducto de manera que el extremo cerrado del clip se enfrente a la dirección de desplazamiento de la cadena, como se muestra en la vista desarrollada.*
9. Afloje, pero no retire las cuatro tuercas (41) que sujetan el motor. Aleje el motor del piñón N.º 40 (70) para poner tensión en la cadena. Ajuste las tuercas (41) a 8 ft-lb (10,8 Nm).

10. Monte en el orden inverso.
11. Enchufe el traccionador y gire el traccionador a la posición de ENCENDIDO (ON). Escuche el sonido de clic del mecanismo de marcha anti-reverso (trinquete y resorte de compresión). Si no escucha este sonido de clic, inspeccione y repare la polea.

## **⚠ ADVERTENCIA**

No opere el traccionador de cables si el mecanismo anti-reverso no está funcionando.


No observar esta advertencia podría resultar en lesiones graves o la muerte.

### Inspeccione los cepillos del conmutador (cada 40 horas)

1. Retire dos tapas de cepillo (121). Retire dos cepillos (116).
2. Mida los cepillos. Reemplace ambos cepillos si la longitud de alguno de los cepillos es menor a 3/8 in.

## Mantenimiento (cont.)

### Reemplazo del armazón

	<b>⚠️ ADVERTENCIA</b>
	<p>Riesgo de descarga eléctrica:</p> <p>Desconecte el traccionador de cables del suministro de energía antes de realizar el mantenimiento.</p> <p>No observar esta advertencia podría resultar en lesiones graves o la muerte.</p>

Reemplace el armazón si parece dañado. Durante el desmontaje, inspeccione cada parte. Reemplace cualquier pieza gastada, dañada o que falte con las piezas de repuesto de Greenlee. Reemplace los rodamientos de agujas (74 y 75), independientemente de su apariencia.


1. Retire el protector exterior izquierdo (4). Retire el tornillo lubricante (5), las arandelas (6-9) y la unidad de cabrestante (10-19).
2. Retire la cadena N.º 60 (20). Retire el piñón (22), las arandelas (23) y el protector (25).
3. Retire el protector exterior derecho (69). Retire la cadena N.º 40.
4. Retire el anillo de retención (67), el piñón N.º 60 (31) y todos los artículos ubicados en el piñón (32-37 y 68-75). Descarte los rodamientos de agujas (74 y 75).
5. Retire la tapa de rosca (45) y todos los elementos del montaje excéntrico (46-49).
6. Retire la tapa de rosca (26) y todos los elementos del montaje intermedio (27-30).
7. Retire la caja del interruptor (54) y los componentes.
8. Retire el motor, el mango, la polea, el trinquete y los pies.
9. Monte los artículos en el nuevo armazón en el orden inverso.

*Notas: Reemplace todos los componentes que muestren signos de desgaste o daño.*

*Al reemplazar los artículos del montaje del piñón (31), instale nuevos rodamientos de agujas (74 y 75).*

*Instale el clip de cada conector de conducto de manera que el extremo cerrado del clip se enfrente a la dirección de desplazamiento de la cadena, como se muestra en la vista desarrollada.*

### Resolución de problemas del circuito eléctrico

	<b>⚠️ ADVERTENCIA</b>
	<p>Riesgo de descarga eléctrica:</p> <p>Desconecte el traccionador de cables del suministro de energía antes de realizar el mantenimiento.</p> <p>No observar esta advertencia podría resultar en lesiones graves o la muerte.</p>

Consulte el diagrama de cableado. Utilice un verificador de continuidad para revisar el circuito eléctrico. La falta de continuidad en el siguiente procedimiento indica que es necesaria una reparación.

1. Desenchufe el traccionador.
2. Coloque los interruptores en la posición de ENCENDIDO (ON).
3. Coloque las sondas del verificador de continuidad a través de los siguientes terminales del traccionador de cables y el dinamómetro. Todos estos pares de terminales debe tener continuidad.

Para revisar los interruptores:

A y B  
Q y R  
S y T (únicamente modelos de 220 V)  
X e Y (únicamente modelos de 220 V)

Para revisar los conectores:

G y A  
H y D  
I y J  
K y S  
L y O  
M y N  
U y N  
V y R  
W y K (únicamente modelos de 120 V)  
W y T (únicamente modelos de 220 V)

Para revisar el rectificador puente:

C y D  
E y F

Para revisar el amperímetro:

O y P

Para revisar el motor:

C y E

Si el motor falla en esta comprobación, inspeccione los componentes del motor (cepillos, armadura y cables). Reemplace cualquier parte que esté gastada o dañada. Reemplace ambos cepillos si la longitud de alguno de los cepillos es menor a 3/8 in.

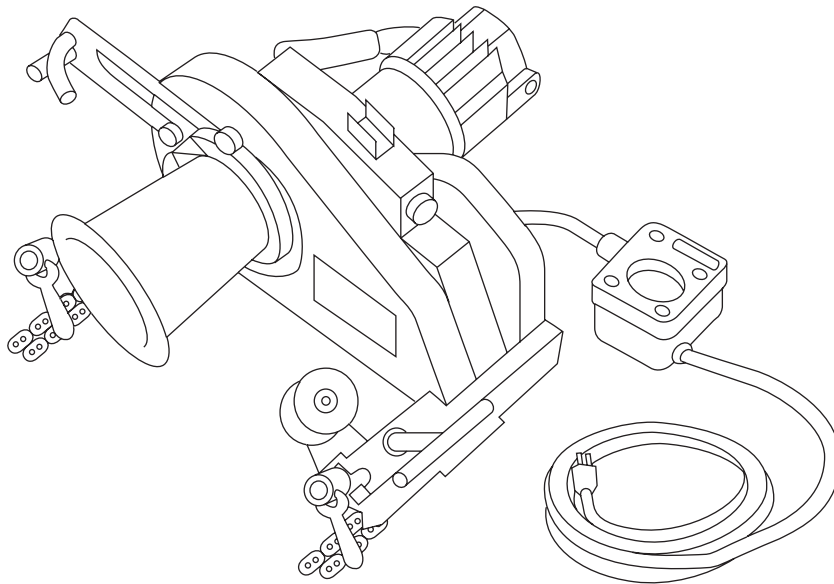
## Resolución de problemas

Si el traccionador deja de funcionar, consulte la siguiente tabla de resolución de problemas. Mientras realice cualquier reparación, inspeccione el motor, el cabrestante y la transmisión.

<b>Problema</b>	<b>Probable causa</b>	<b>Posible solución</b>
El motor no funciona.	No hay corriente en el circuito de alimentación.	Compruebe el suministro de energía con un voltímetro. Consulte la sección Especificaciones de este manual.
	Cableado o interruptor con defectos.	Verifique la continuidad del interruptor y el cableado.
	Motor defectuoso.	Verifique la continuidad del motor y el cableado. Verifique el estado de las escobillas. Reemplace los artículos gastados o dañados.  Reemplace el motor.
El cabestrante no gira mientras el motor está en funcionamiento.	Cadena N.º 60 rota.	Reemplace la cadena N.º 60.
	Cadena N.º 40 rota.	Reemplace la cadena N.º 40.
	Piñón roto en la caja de cambios o eje despojado en el motor.	Desmonte el traccionador. Consulte las instrucciones de desmontaje en Inspección de cadenas y trinquete. Reemplace cualquier componente de transmisión gastado o dañado.



# MANUEL D'INSTRUCTIONS



## Treuil de tirage Super Tugger<sup>®</sup> de série 6000

Valide pour les treuils à 115 V portant le code de série YF 2000  
et les treuils à 220 V portant le code de série ACN



**Veillez lire et comprendre** toutes les instructions et informations de sécurité du présent manuel avant d'utiliser cet outil ou d'en effectuer l'entretien.

## Table des matières

Description .....	58
Sécurité .....	58
Objet de ce manuel .....	58
Instructions de sécurité importantes.....	59-61
Instructions de mise à la terre .....	62
Identification.....	63
Caractéristiques .....	63
Glossaire du tirage de câble.....	64
Principes du tirage de câble.....	65-73
Systèmes de tirage de câble .....	65
Théorie du tirage.....	66
Forces de tirage de câble .....	67-71
Ravaler la corde .....	72
Récapitulatif des principes du tirage de câble .....	73
Planifier le tirage.....	73
Configurations typiques .....	74-76
Configuration et fonctionnement.....	77-78
Enlèvement de câble.....	79
Tirage double .....	80
Entretien .....	81-83
Dépannage .....	84
Vues éclatées et listes de pièces .....	85-95
Schémas de câblage.....	96-97

## Description

Le treuil de tirage Super Tugger® de Greenlee est conçu pour le tirage de câbles à travers des conduits et dans des chemins de câble. Le Super Tugger développe une force de tirage de 28,9 kN (6 500 lb). Consulter un catalogue Greenlee pour découvrir les galets, les cordes de tirage et les autres accessoires de tirage de câbles pouvant être utilisés avec le Super Tugger afin de créer un système de tirage de câbles complet.

Aucun manuel ne peut fournir des instructions pour toutes les applications de tirage de câble. Ce manuel contient de l'information générale pour le tirage de câble. Il fournit également des illustrations de quelques configurations typiques.

## Sécurité

Lors de l'utilisation et de l'entretien des outils et de l'équipement de Greenlee, la sécurité est essentielle. Les instructions de ce manuel et les inscriptions sur l'outil fournissent des informations qui permettent d'éviter les dangers et les manipulations dangereuses liés à l'utilisation de cet outil. Veiller à respecter toutes les consignes de sécurité.

## Objet de ce manuel

Ce manuel a pour objet de familiariser tout le personnel avec les procédures d'utilisation et d'entretien sécuritaire des treuils de tirage Super Tugger® série 6000 de Greenlee.

Veillez garder ce manuel à la disposition de tout le personnel.

Des manuels de rechange peuvent être obtenus gratuitement sur demande sur [www.greenlee.com](http://www.greenlee.com).

Toutes les caractéristiques sont nominales et peuvent changer lors d'améliorations du produit. Greenlee Tools, Inc. décline toute responsabilité pour les dommages résultant d'un emploi détourné ou abusif de ses produits.

Super Tugger est une marque déposée de Greenlee Tools, Inc.

Mobilgrease est une marque déposée de Mobil Oil Corporation.

# **CONSERVEZ CE MANUEL**

## INFORMATIONS DE SÉCURITÉ IMPORTANTES



### SYMBOLE D'AVERTISSEMENT

Ce symbole met en garde contre les risques et les manipulations dangereuses pouvant entraîner des blessures ou des dégâts matériels. Les mots indicateurs ci-dessous définissent la gravité du danger, et sont suivis d'informations permettant de prévenir ou d'éviter le danger.

#### **⚠ DANGER**

Danger immédiat qui, s'il n'est pas évité, ENTRAÎNERA des blessures graves ou la mort.

#### **⚠ AVERTISSEMENT**

Danger qui, s'il n'est pas évité, POURRAIT entraîner des blessures graves ou la mort.

#### **⚠ ATTENTION**

Dangers ou manipulations dangereuses qui, s'ils ne sont pas évités, SONT SUSCEPTIBLES d'entraîner des blessures ou des dégâts matériels.



#### **⚠ DANGER**

Lire et comprendre toutes les instructions et consignes de sécurité de ce manuel avant d'utiliser cet outil ou d'effectuer son entretien.

Le non-respect de cette mise en garde entraînerait des blessures graves ou la mort.



#### **⚠ DANGER**

Ne pas utiliser le treuil de tirage dans un environnement dangereux. Ces dangers comprennent notamment les liquides et gaz inflammables.

Le non-respect de cette mise en garde entraînerait des blessures graves ou la mort.



#### **⚠ AVERTISSEMENT**


Danger de décharge électrique :

Débrancher le treuil de tirage de son alimentation électrique avant toute opération d'entretien.


Le non-respect de cette mise en garde pourrait entraîner des blessures graves ou la mort.

*Remarque : Conserver toutes les décalcomanies dans un état propre et lisible et les remplacer au besoin.*

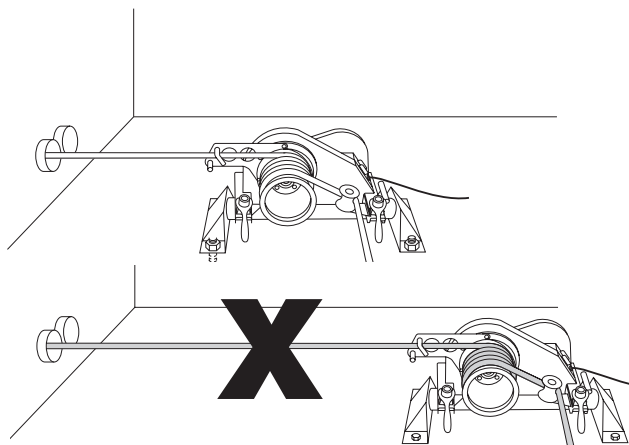
## INFORMATIONS DE SÉCURITÉ IMPORTANTES

	<p style="text-align: center;"><b>⚠️ AVERTISSEMENT</b></p> <p>Inspecter tous les composants du système de tirage de câble. Vérifier la capacité de charge maximale ou la résistance maximale de tous les supports structurels, éléments du système de tirage et systèmes d'ancrage, avant de monter le treuil. Tout élément qui n'est pas conçu pour résister aux forces de tirage maximales peut se rompre et heurter violemment les personnes présentes.</p> <p>Le non-respect de cette mise en garde pourrait entraîner des blessures graves ou la mort.</p>
---	---

	<p style="text-align: center;"><b>⚠️ AVERTISSEMENT</b></p> <p>Ne rien laisser venir au contact du cabestan autre que la corde de tirage. Un serre-câble, un émerillon ou toute autre pièce peut se casser et heurter les personnes présentes avec violence.</p> <p>Le non-respect de cette mise en garde pourrait entraîner des blessures graves ou la mort.</p>
--	--

	<p style="text-align: center;"><b>⚠️ AVERTISSEMENT</b></p> <p>Ne pas se tenir directement sous un tirage vertical. Le câble peut chuter soudainement du conduit et blesser les personnes autour.</p> <p>Le non-respect de cette mise en garde pourrait entraîner des blessures graves ou la mort.</p>
---	---

<p style="text-align: center;"><b>⚠️ AVERTISSEMENT</b></p> <p>Ne pas faire fonctionner le treuil si le mécanisme anti-inversion ne fonctionne pas. Si la griffe anti-inversion n'émet pas de cliquètement lorsque le cabestan tourne, éteindre le treuil et le faire réparer par un centre de réparation autorisé de Greenlee.</p> <p>Le non-respect de cette mise en garde pourrait entraîner des blessures graves ou la mort.</p>
---

<p style="text-align: center;"><b>⚠️ AVERTISSEMENT</b></p> <p>Placer le treuil à proximité du conduit. La corde, le câble et les connecteurs peuvent se rompre sous la tension, ce qui provoquerait un fouettement violent de la corde.</p> <p>Le non-respect de cette mise en garde peut entraîner des blessures graves ou la mort.</p>


<p style="text-align: center;"><b>⚠️ AVERTISSEMENT</b></p> <p>Toute corde sous-dimensionnée peut se rompre et fouetter violemment. Utiliser une corde composite double tresse présentant les caractéristiques suivantes :</p> <ul style="list-style-type: none"> <li>• Capacité maximale nominale : au moins 28,9 kN (6 500 lb)</li> <li>• Résistance moyenne à la rupture : au moins 115,6 kN (26 000 lb)</li> </ul> <p>Le non-respect de cette mise en garde pourrait entraîner des blessures graves ou la mort.</p>
--

<p style="text-align: center;"><b>⚠️ AVERTISSEMENT</b></p> <ul style="list-style-type: none"> <li>• Contrôler l'état de la corde sur toute sa longueur avant de l'utiliser. Une corde usée ou endommagée peut se rompre sous la tension et fouetter violemment.</li> <li>• Ne pas maintenir une corde immobile sur un cabestan en rotation. L'usure engendrée peut provoquer une rupture et un fouettement violent de la corde sous la tension.</li> </ul> <p>Le non-respect de ces mises en garde pourrait entraîner des blessures graves ou la mort.</p>
--

## INFORMATIONS DE SÉCURITÉ IMPORTANTES

### ⚠️ AVERTISSEMENT

Attacher la corde de tirage au câble à l'aide de connecteurs de type approprié conformément aux indications de ce manuel. Sélectionner des connecteurs d'une capacité maximale nominale d'au moins 28,9 kN (6 500 lb). Un connecteur sous-dimensionné peut se rompre sous la tension.

Le non-respect de cette mise en garde pourrait entraîner des blessures graves ou la mort.



### ⚠️ AVERTISSEMENT

Ne pas faire fonctionner le treuil si les protections de chaîne ne sont pas en place.

Le non-respect de cette mise en garde pourrait entraîner des blessures graves ou la mort.



### ⚠️ AVERTISSEMENT

Garder les mains à l'écart du cabestan. La corde sur le cabestan peut écraser une main.

Le non-respect de cette mise en garde pourrait entraîner des blessures graves ou la mort.

### ⚠️ AVERTISSEMENT

Utiliser cet outil exclusivement aux fins prévues par le fabricant. Ne pas utiliser le treuil de tirage en tant que palan de levage ou que treuil universel.

- Le treuil de tirage ne peut pas abaisser une charge.
- Cette charge pourrait chuter.

Le non-respect de cette mise en garde pourrait entraîner des blessures graves ou la mort.



### ⚠️ AVERTISSEMENT

Ne pas enrouler la corde autour des mains, des bras, de la taille ou d'autres parties du corps. Ne pas se tenir sur des spires dévidées ou sur la corde ravalée. Tenir la corde de manière qu'elle puisse être libérée rapidement.

Le non-respect de cette mise en garde pourrait entraîner des blessures graves ou la mort.

### ⚠️ AVERTISSEMENT

Contrôler le treuil et ses accessoires avant utilisation. Remplacer tous les éléments usés ou manquants par des pièces de rechange Greenlee. Une pièce endommagée ou mal assemblée peut se briser et heurter violemment les personnes présentes.

Le non-respect de cette mise en garde pourrait entraîner des blessures graves ou la mort.

### ⚠️ AVERTISSEMENT

La corde, le câble et un connecteur peuvent se rompre sous la tension, ce qui provoquerait un fouettement violent de la corde.

- Ne permettre à aucune personne non indispensable de rester au voisinage du tirage.
- Ne permettre à personne de se tenir dans l'alignement de la corde de tirage.

Le non-respect de ces mises en garde peut entraîner des blessures graves ou la mort.

### ⚠️ AVERTISSEMENT

Danger d'enchevêtrement :

- Ne pas porter des vêtements amples lors de l'utilisation du treuil de tirage.
- Attacher les cheveux longs.

Le non-respect de ces mises en garde pourrait entraîner des blessures graves ou la mort.

### ⚠️ AVERTISSEMENT

Ne pas laisser la corde se chevaucher sur le cabestan. Si un chevauchement commence à se produire, relâcher immédiatement la force de ravalement et arrêter le treuil de tirage.

Le non-respect de cette mise en garde pourrait entraîner des blessures graves ou la mort.



### ⚠️ AVERTISSEMENT

Porter une protection oculaire durant l'utilisation de cet outil.

L'absence de protection oculaire peut entraîner des lésions oculaires graves en cas de projection de débris.

**Instructions de mise à la terre**
**Modèle à 120 V**

	<b>⚠AVERTISSEMENT</b>
	<p>Danger de décharge électrique.</p> <ul style="list-style-type: none"> <li>• Ne pas modifier la fiche fournie avec l'outil.</li> <li>• Brancher cet outil sur une prise raccordée à la terre alimentée par un circuit de 20 A protégé par DDFT.</li> </ul> <p>Le non-respect de ces mises en garde pourrait entraîner des blessures graves ou la mort.</p>

**Modèle à 220 V**

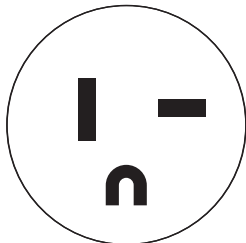
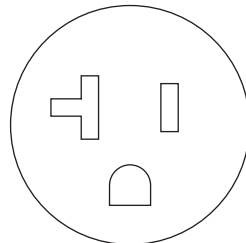
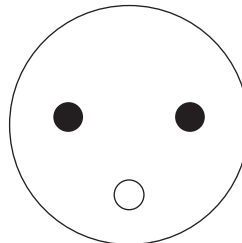
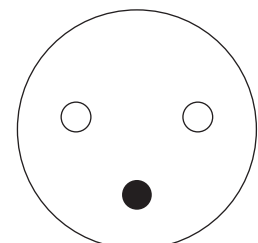
	<b>⚠AVERTISSEMENT</b>
	<p>Danger de décharge électrique.</p> <ul style="list-style-type: none"> <li>• Ne pas modifier la fiche fournie avec l'outil.</li> <li>• Brancher cet outil sur une prise raccordée à la terre alimentée par un circuit de 10 A protégé par DDFT.</li> </ul> <p>Le non-respect de ces mises en garde pourrait entraîner des blessures graves ou la mort.</p>

Cet outil doit être relié à la terre. En cas de mauvais fonctionnement ou de panne, la mise à la terre offre un circuit de moindre résistance au courant électrique. Ce circuit de moindre résistance a pour objet de réduire le risque de décharge électrique.

Le cordon électrique de cet outil comporte un conducteur de terre et une fiche avec terre, comme sur l'illustration. Ne pas modifier la fiche. Brancher la fiche dans une prise correspondante, correctement installée et mise à la terre conformément à toutes les ordonnances et à tous les codes nationaux et locaux. Ne pas utiliser d'adaptateur.

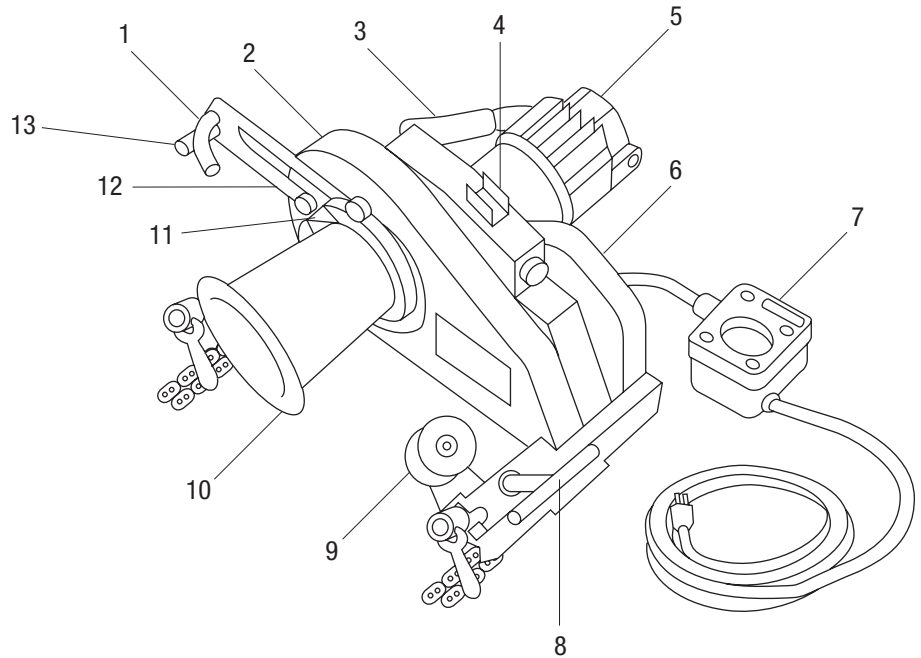
Cet outil doit être relié à la terre. En cas de mauvais fonctionnement ou de panne, la mise à la terre offre un circuit de moindre résistance au courant électrique. Ce circuit de moindre résistance a pour objet de réduire le risque de décharge électrique.

Le cordon électrique de cet outil comporte un conducteur de terre et une fiche avec terre, comme sur l'illustration. Ne pas modifier la fiche. Brancher la fiche dans une prise correspondante, correctement installée et mise à la terre conformément à toutes les ordonnances et à tous les codes nationaux et locaux. Ne pas utiliser d'adaptateur.

**Fiche et prise  
20 A/125 V**

**Fiche**

**Prise**
**Fiche et prise  
10 A/250 V**

**Fiche**

**Prise**

## Identification

1. Cheville de retenue
2. Protection de chaîne du cabestan
3. Poignée
4. Disjoncteur et interrupteur MARCHE/ARRÊT avec protection
5. Moteur
6. Protection de chaîne du moteur
7. Dynamomètre de traction avec interrupteur MARCHE/ARRÊT
8. Manette/taquet
9. Galet de renvoi à angle droit
10. Cabestan conique
11. Rampe pour corde
12. Bras de cabestan pivotant
13. Cheville de positionnement



## Caractéristiques techniques

Poids ..... 41,7 kg (92 lb)

Dimensions :

Longueur ..... 52,7 cm (20 3/4 po)

Largeur.....57,2 cm (22 1/2 po)

Hauteur..... 30,5 cm (12 po)

Puissance (modèle à 120 V) :

Tension .....120 V c.a., 60 Hz

Courant..... 17 A

Source .....Circuit de 20 A protégé par DDFT

Puissance (modèle à 220 V) :

Tension .....220 V c.a., 50 Hz

Courant.....7,5 A

Source .....Circuit de 15 A protégé par DDFT

Force de tirage maximale ..... 28,9 kN (6 500 lb)

Vitesse :

À vide..... 5 m/min (16,5 pi/min)

8 900 N (2 000 lb) ..... 3,4 m/min (11 pi/min)

17,8 kN (4 000 lb) ..... 2,3 m/min (7,5 pi/min)

Coefficient d'utilisation :

0–22,2 kN (0–5 000 lb)..... Fonctionnement continu

22,2–24,5 kN (5 000–5 500 lb)

(une alarme se fera entendre) ..... 15 minutes de marche/  
15 minutes d'arrêt

24,5–28,9 kN (5 500–6 500 lb)

(une alarme se fera entendre) ..... 5 minutes de marche/  
15 minutes d'arrêt

Corde de tirage :

Résistance à la rupture moyenne ..... Au moins

115,6 kN (26 000 lb)

## Glossaire du tirage de câble

### **cabestan**

cylindre creux du treuil de tirage qui exerce la force de tirage sur la corde de tirage

### **capacité maximale nominale**

intensité de la force de tirage à laquelle tout élément peut résister sans danger, exprimée en kilonewton (métrique) ou en livre; la capacité maximale nominale de chaque élément doit être égale ou supérieure à la force de tirage maximale du treuil de tirage

### **coefficient de frottement**

rapport qui compare deux valeurs de force : (1) la force nécessaire pour déplacer un objet sur une surface (2) la force maintenant l'objet contre cette surface

Ce rapport sert à décrire comment le cabestan et la corde agissent l'un sur l'autre.

### **connecteur**

toute pièce telle qu'un serre-fil, une manille, un émerillon ou un tire-câble qui raccorde la corde au câble

### **énergie emmagasinée**

énergie qui s'accumule dans la corde de tirage lorsqu'elle s'étire, exprimée en newtons mètres (métrique) ou en pied-livres

### **force de tirage**

intensité de la force de tirage développée par le treuil de tirage, exprimée en newton (métrique) ou en livre; un treuil de tirage est généralement caractérisé par la force de tirage maximale dont il est capable

### **force résultante**

toute force qui est produite lorsque deux forces ou plus agissent sur un objet; concerne les galets d'un système de tirage de câble

### **galet**

poulie qui modifie la direction de la corde et du câble

### **galet d'accouplement de conduit**

s'attache au conduit pour le tirage ou l'entrée de câble

### **ligne de tirage directe**

zones autour de la corde de tirage et le long de son trajet; cela comprend les zones devant, derrière et sous la corde

### **Newton**

unité de force du système métrique, équivalente à 0,225 livre de force

### **queue de corde**

partie de la corde sur laquelle l'opérateur exerce une force; c'est la corde sortant du cabestan et qui n'est pas soumise à la tension du tirage

### **rampe pour corde**

dispositif associé à un cabestan conique; il guide la corde sur le cabestan pour éviter les chevauchements de corde

### **ravaler la corde**

tâche principale de l'opérateur : elle consiste à exercer une force de traction sur la queue de la corde de tirage – voir la description complète dans la section Principes du tirage de câbles

### **serre-câble**

accessoire qui raccorde la corde au câble; certains comportent une vis de calage qui se serre sur les conducteurs du câble

### **structure de soutien**

tout objet fixe auquel un système de tirage de câble est ancré, tel qu'une dalle en béton (pour la pose au sol) ou une poutre métallique (pour un galet)

### **système d'ancrage**

tout élément ou ensemble d'éléments qui maintient un dispositif de tirage de câble en place durant le tirage

### **tire-câble**

accessoire qui raccorde la corde au câble; constitué d'un manchon en maillage métallique qui s'enfile sur le câble et serre la gaine isolante



## Principes du tirage de câble

Tirer un câble est un processus complexe. Cette section du manuel décrit et explique quatre sujets principaux relatifs au tirage de câble :

- chaque composant du système de tirage de câble
- la manière dont ces composants fonctionnent les uns avec les autres
- les forces qui sont produites
- les procédures à suivre par l'opérateur du treuil de tirage

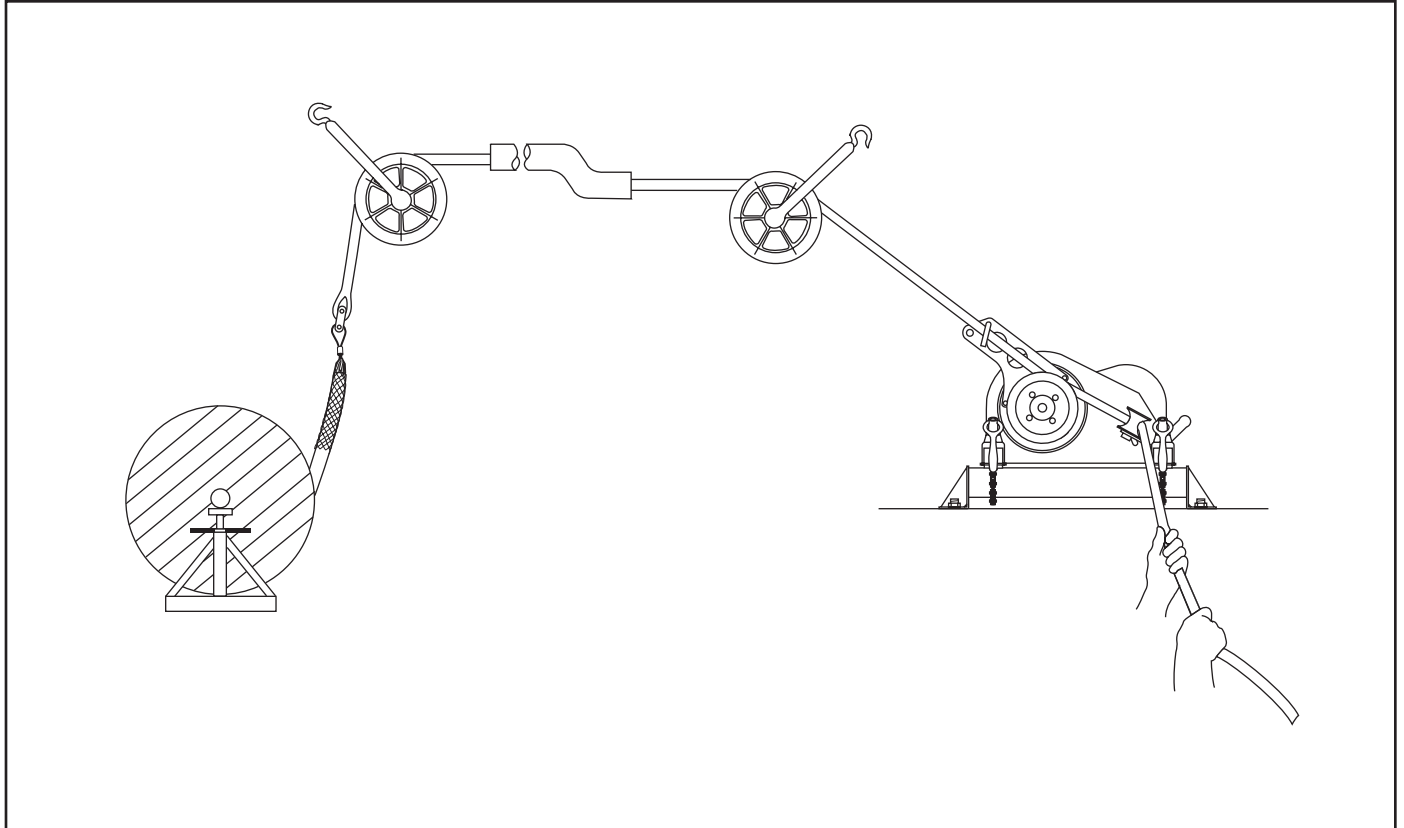
Durant la lecture de cette section du manuel, voir les éléments en grisé dans les illustrations. Le grisé identifie les éléments mentionnés dans le texte correspondant.

Il est fortement conseillé que chaque membre de l'équipe de tirage de câble ait lu cette section du manuel avant chaque tirage de câble.

## Systèmes de tirage de câble

Le tirage de câble nécessite un système constitué de différents éléments. Au minimum, un système de tirage de câble comporte un treuil de tirage, une corde de tirage et des connecteurs pour attacher la corde au câble. La majorité des systèmes inclut également, sans s'y limiter, un système d'ancrage du treuil de tirage, des galets de tirage et des systèmes d'ancrage des galets.

Le treuil de tirage possède une *force de tirage* maximale, qui est l'intensité de la force de traction qu'il peut générer. Chacun des autres éléments du système de tirage possède une capacité maximale nominale, qui est l'intensité de force de tirage à laquelle il est capable de résister. La *capacité maximale nominale* de chacun des composants doit être égale ou supérieure à la force de tirage maximale du treuil de tirage.



**Système de tirage de câble typique**

## Principes du tirage de câble (suite)

### Théorie du tirage

Cette section présente les notions principales associées au tirage de câble.

### Résistance de tirage

Le treuil de tirage doit surmonter deux types de résistance : la pesanteur et le frottement.

La pesanteur est une force qui s'exerce de façon constante sur les parties verticales du parcours. Lorsque la force de tirage est relâchée, la pesanteur a tendance à tirer le câble vers le bas. Le frottement se produit aux points de contact du câble avec les galets, le conduit et le chemin de câbles. Le frottement s'oppose à tout mouvement, vers l'avant comme vers l'arrière, et a tendance à tenir les câbles en place.

Pour réaliser un tirage, le système de tirage de câble doit développer une force supérieure à la pesanteur et au frottement combinés.

### Produire la force de tirage

Pour produire la force de tirage, le cabestan joue le rôle de *multiplicateur de force*. L'opérateur exerce une force de faible intensité sur la corde. Le treuil de tirage amplifie cet effort pour produire la force de tirage.

La force de tirage est appliquée à la corde, aux connecteurs et au câble pour réaliser le tirage. La direction de la force est modifiée, à chaque emplacement nécessaire, au moyen de galets de renvoi.

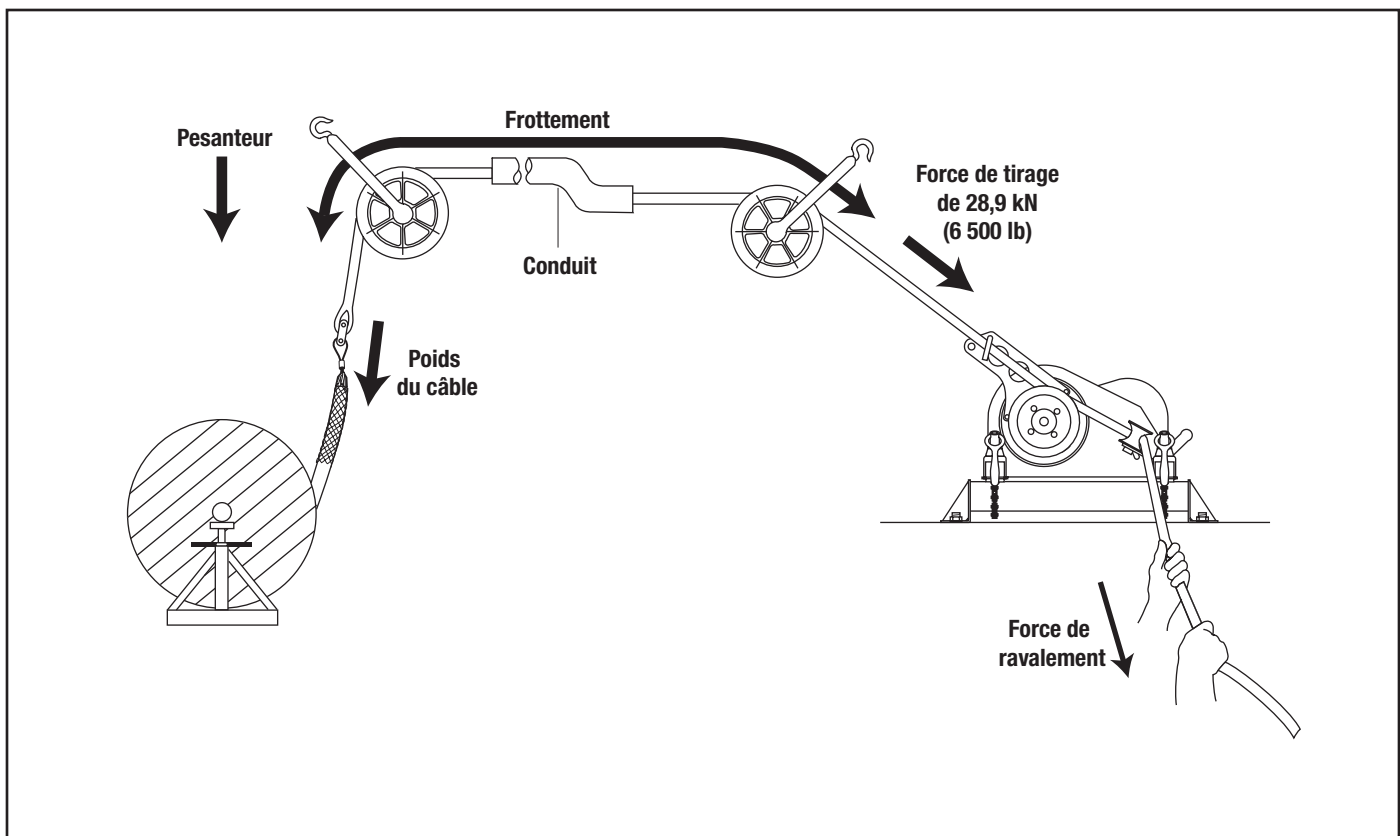


Illustration de la théorie du tirage de câble

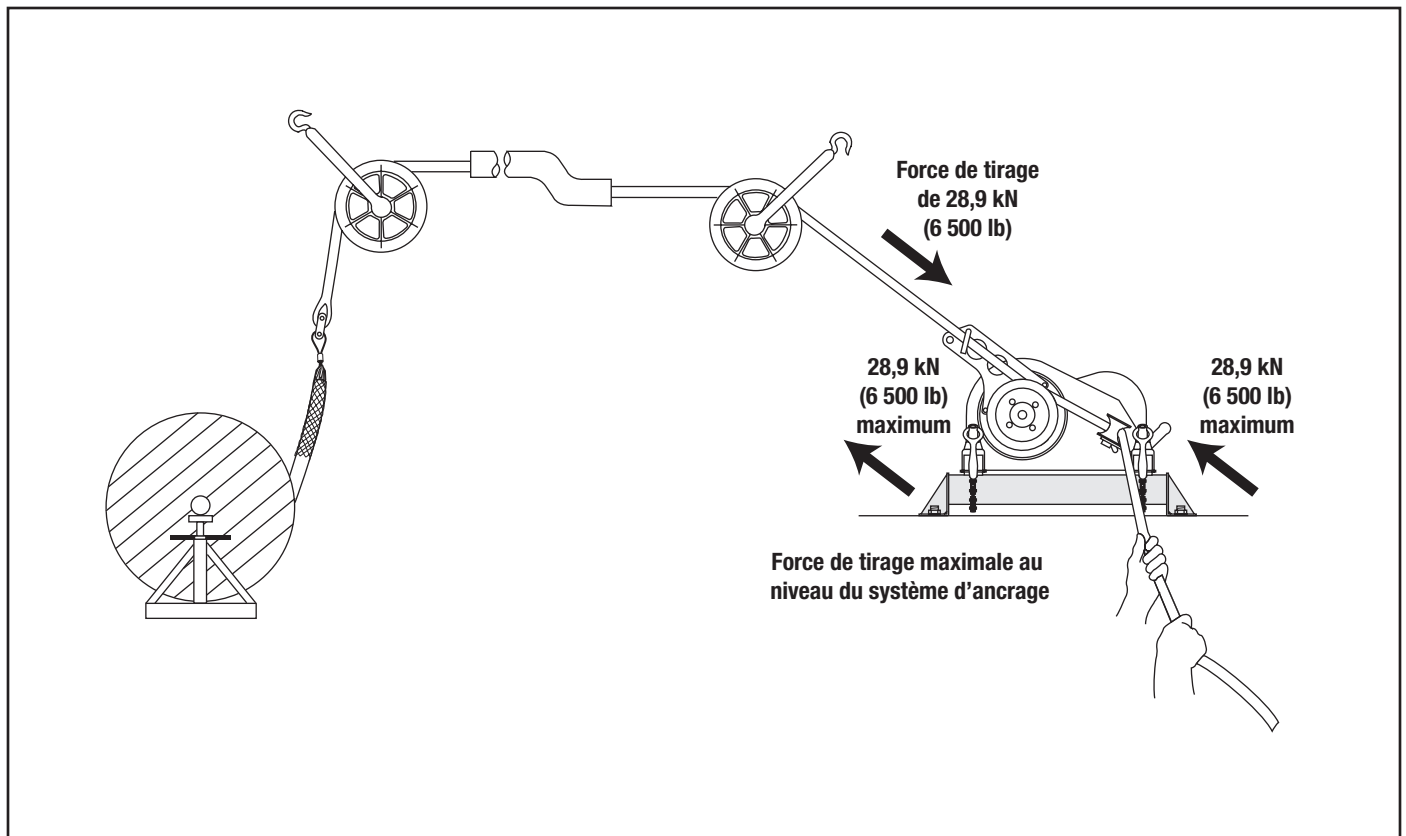
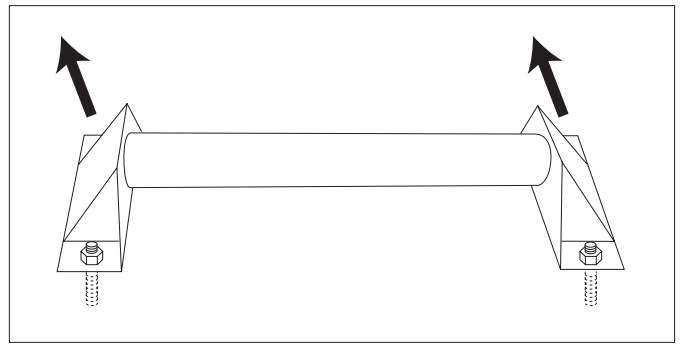
## Principes du tirage de câble (suite)

### Forces de tirage de câble

Cette section fournit des explications et illustrations détaillées sur les forces qui sont produites durant le tirage de câble. Ces explications s'appuient sur les concepts présentés dans la section précédente, Théorie du tirage.

### Au niveau du système d'ancrage du treuil de tirage

Le treuil de tirage exerce sa force de tirage maximale sur son système d'ancrage. Il est extrêmement important que le système d'ancrage soit capable de résister à une force de cette intensité. Consulter « Configurations typiques : fixation au sol » pour connaître les configurations ou installations appropriées.



**Force de tirage au niveau du système d'ancrage du treuil de tirage**

## Principes du tirage de câble (suite)

### Forces de tirage de câble (suite)

#### Au niveau du cabestan

Le cabestan joue le rôle de *multiplicateur de force*. L'opérateur exerce une légère tension, ou force de ravalement, sur la corde; le cabestan multiplie cette force pour tirer le câble. La force résultante dépend du nombre de tours d'enroulement de la corde autour du cabestan, suivant la formule ci-dessous.

$$\text{Force de tirage} = \text{Force de ravalement} \times e^{0,0175\mu\theta}$$

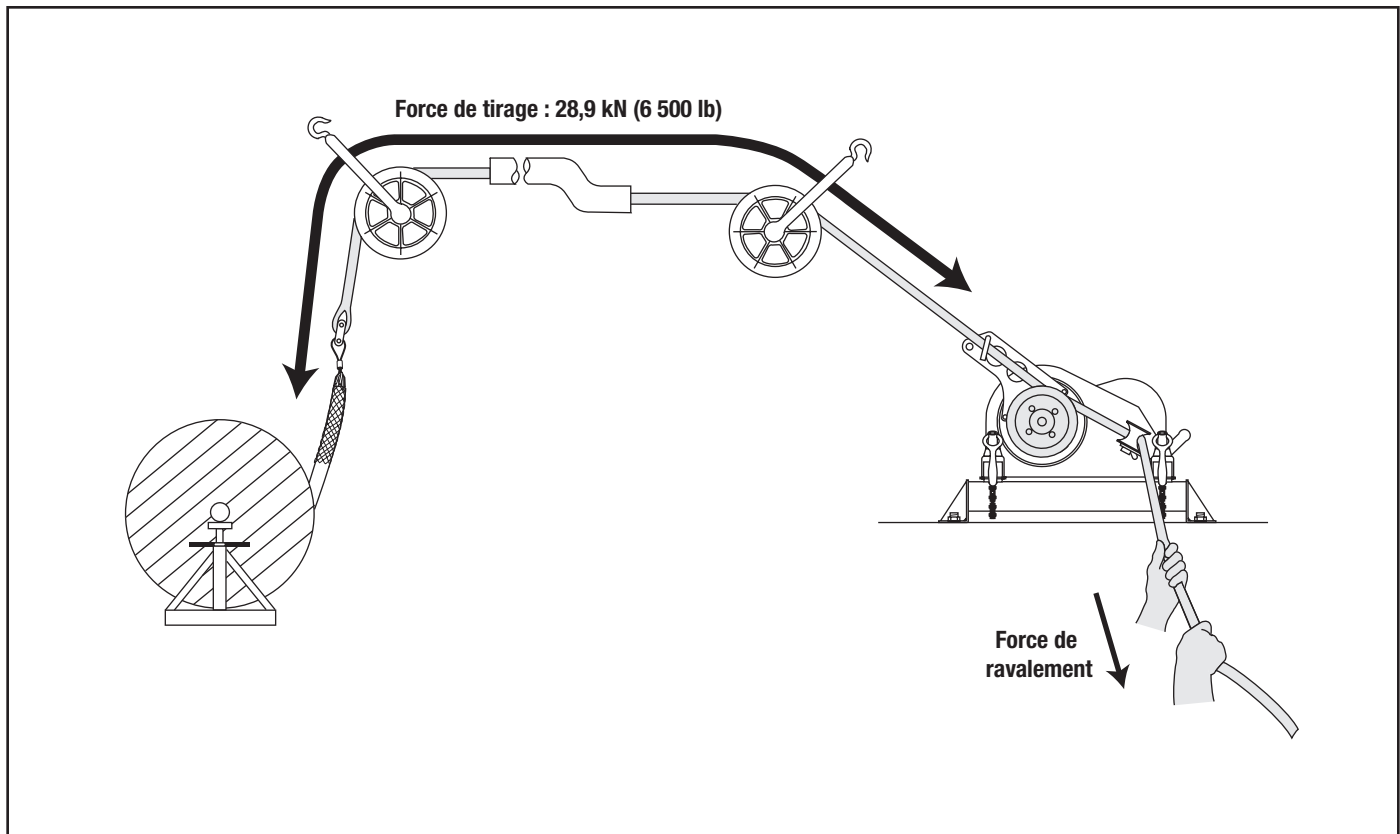
- Où :
- e = la base du logarithme népérien, soit 2,7183
  - $\mu$  = le coefficient de frottement entre la corde et le cabestan\*
  - $\theta$  = le nombre de degrés d'enroulement de la corde autour du cabestan

\* La valeur moyenne du coefficient de frottement d'une corde à double tresse en composite tirée sur un cabestan propre et sec est de 0,125.

La table qui suit est basée sur la formule ci-dessus. L'entrée, c.-à-d. la force de ravalement, a une intensité constante de 44,5 N (10 lb). La force de tirage augmente avec le nombre de tours de corde.

Force de ravalement de l'opérateur	Nombre de tours de corde	Force de tirage approximative
44,5 N (10 lb)	1	93,4 N (21 lb)
	2	213,5 N (48 lb)
	3	474,9 N (106 lb)
	4	1 043,8 N (233 lb)
	5	2 293,7 N (512 lb)
	6	5 048,9 N (1 127 lb)
	7	11,1 kN (2 478 lb)

Cette table rend compte de l'effet multiplicateur du cabestan sur la force exercée. Comme le coefficient de frottement dépend de l'état de la corde et du cabestan, cette formule ne permet pas de déterminer l'intensité exacte de la force de tirage.



L'effet multiplicateur de force du cabestan

## Principes du tirage de câble (suite)

### Forces de tirage de câble (suite)

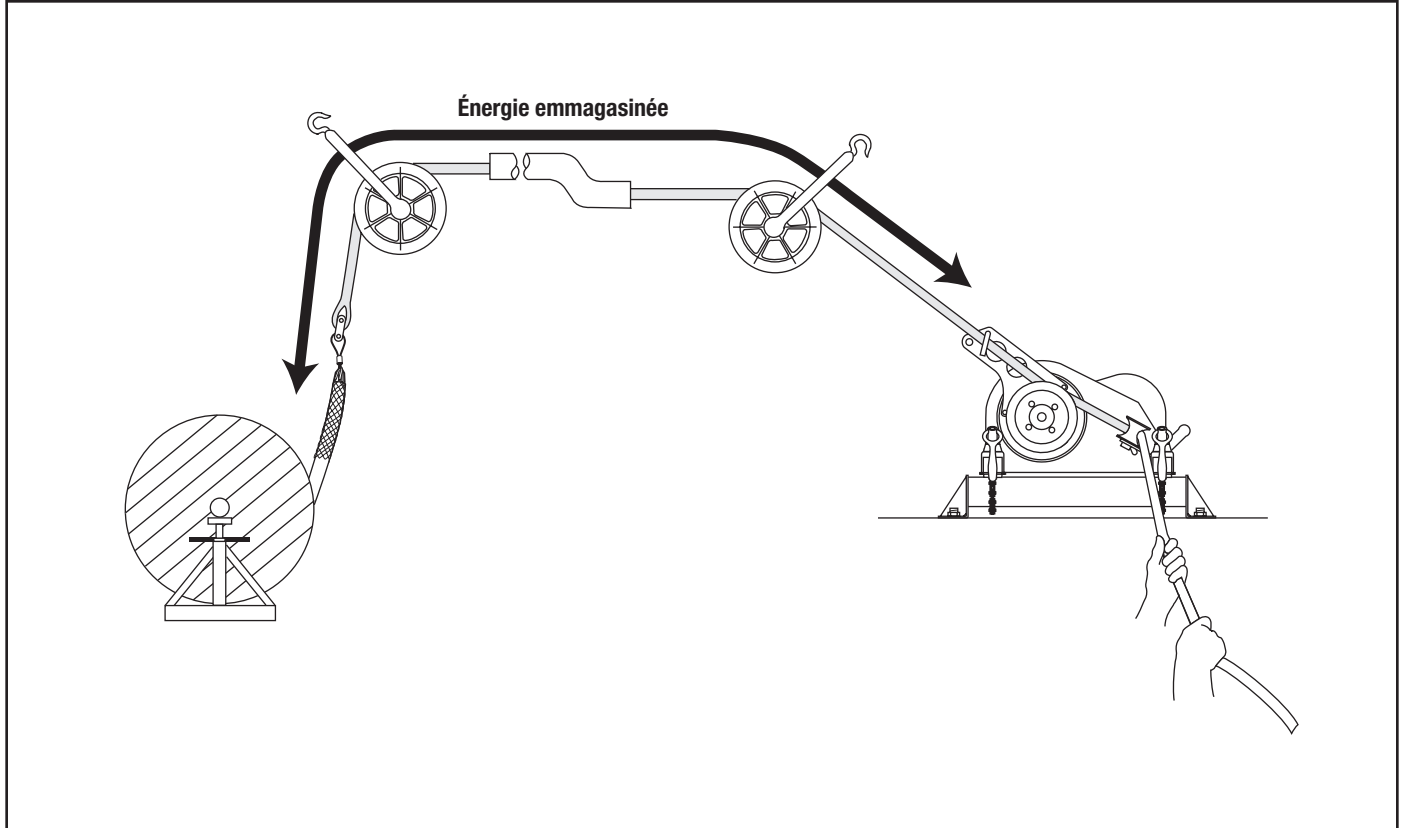
#### Au niveau de la corde de tirage

Le produit d'une force ( $f$ ) se déplaçant sur une distance ( $d$ ) est l'énergie ( $f \times d$ ), et on peut la mesurer en newtons mètres ou en pied-livres. La corde emmagasine de l'énergie lorsqu'elle s'étire. Cela est semblable à la manière dont l'énergie est emmagasinée dans un élastique lorsqu'il est étiré. Une défaillance de la corde ou de tout autre élément du système de tirage peut provoquer une libération soudaine et incontrôlée de l'énergie emmagasinée dans la corde.

Par exemple, une corde en nylon de 100 mètres d'une résistance à la rupture moyenne de 50 000 newtons peut s'allonger de 40 mètres et emmagasiner 1 000 000 joules d'énergie. C'est une énergie suffisante pour projeter un objet de 900 kg (comme une petite voiture) 113 mètres vers le haut.

Une corde composite double tresse semblable peut emmagasiner en énergie de 300 000 joules environ. Cela permettrait de projeter le même objet sur une hauteur de 34 mètres seulement. La corde à double tresse en composite emmagasine beaucoup moins d'énergie et présente un risque de blessure moindre en cas de rupture.

La corde à double tresse en composite est le seul type de corde recommandé pour le treuil de tirage Super Tugger. Sélectionner une corde à double tresse en composite d'une résistance nominale moyenne à la rupture d'au moins 115,6 kN (26 000 lb).



**Énergie emmagasinée**

## Principes du tirage de câble (suite)

### Forces de tirage de câble (suite)

#### Au niveau des connecteurs

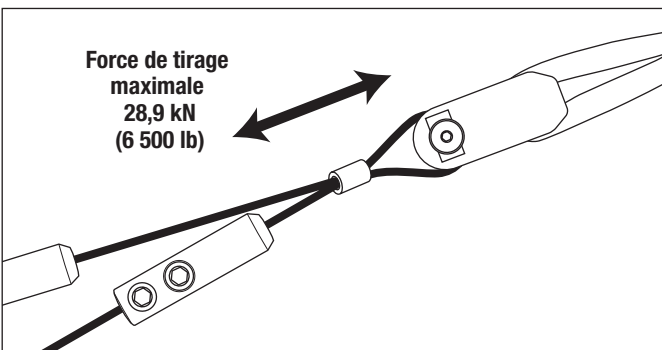
Les connecteurs sont soumis à la force de tirage maximale du treuil de tirage.

Il existe plusieurs types de connecteurs de corde : manilles, émerillons et connecteurs corde-émerillon. Suivre les instructions fournies avec chacun d'eux pour réaliser un bon raccordement.

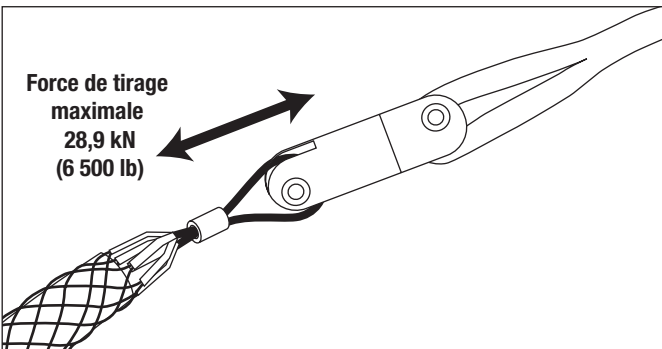
Il existe deux types de connecteurs de câble : le serre-câble et le tire-câble. Le serre-câble comporte une vis de calage qui se serre sur les conducteurs du câble. Le tire-câble est constitué d'un manchon en maillage métallique qui s'enfile sur le câble et serre la gaine isolante.

Lors du choix d'un tire-câble, il est extrêmement important de sélectionner un modèle (1) de type, (2) de taille et (3) de capacité maximale nominale corrects.

1. Sélectionner le type sur la base des descriptions figurant dans le catalogue Greenlee.
2. Mesurer la circonférence du faisceau de fils. (Pour obtenir une valeur exacte, serrer un serre-fil en plastique autour du faisceau, couper et jeter l'extrémité, puis couper le serre-fil et mesurer sa longueur.) Utiliser la table fournie ci-dessous pour déterminer la taille de tire-câble correcte.
3. Voir les capacités maximales nominales dans le catalogue Greenlee.



Raccordement typique — Manille et serre-câble



Raccordement typique — Émerillon et tire-câble

Table des tailles de tire-câble

Plage de circonférence		Diamètre de tire-câble requis	
pouce	mm	pouce	mm
1,57–1,95	39,9–49,5	0,50–0,61	12,7–15,5
1,95–2,36	49,5–59,9	0,62–0,74	15,8–18,8
2,36–3,14	59,9–79,8	0,75–0,99	19,1–25,1
3,14–3,93	79,8–99,8	1,00–1,24	25,4–31,5
3,93–4,71	99,8–119,6	1,25–1,49	31,8–37,8
4,71–5,50	119,6–139,7	1,50–1,74	38,1–44,2
5,50–6,28	139,7–159,5	1,75–1,99	44,5–50,5
6,28–7,85	159,5–199,4	2,00–2,49	50,8–63,2
7,85–9,42	199,4–239,3	2,50–2,99	63,5–75,9
9,42–11,00	239,3–279,4	3,00–3,49	76,2–88,6
11,00–12,57	279,4–319,3	3,50–3,99	88,9–101,3
12,57–14,14	319,3–359,2	4,00–4,49	101,6–114,0
14,14–15,71	359,2–399,0	4,50–4,99	114,3–126,7

## Principes du tirage de câble (suite)

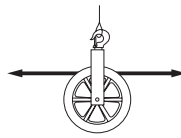
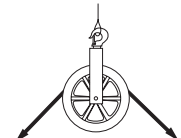
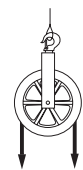
### Forces de tirage de câble (suite)

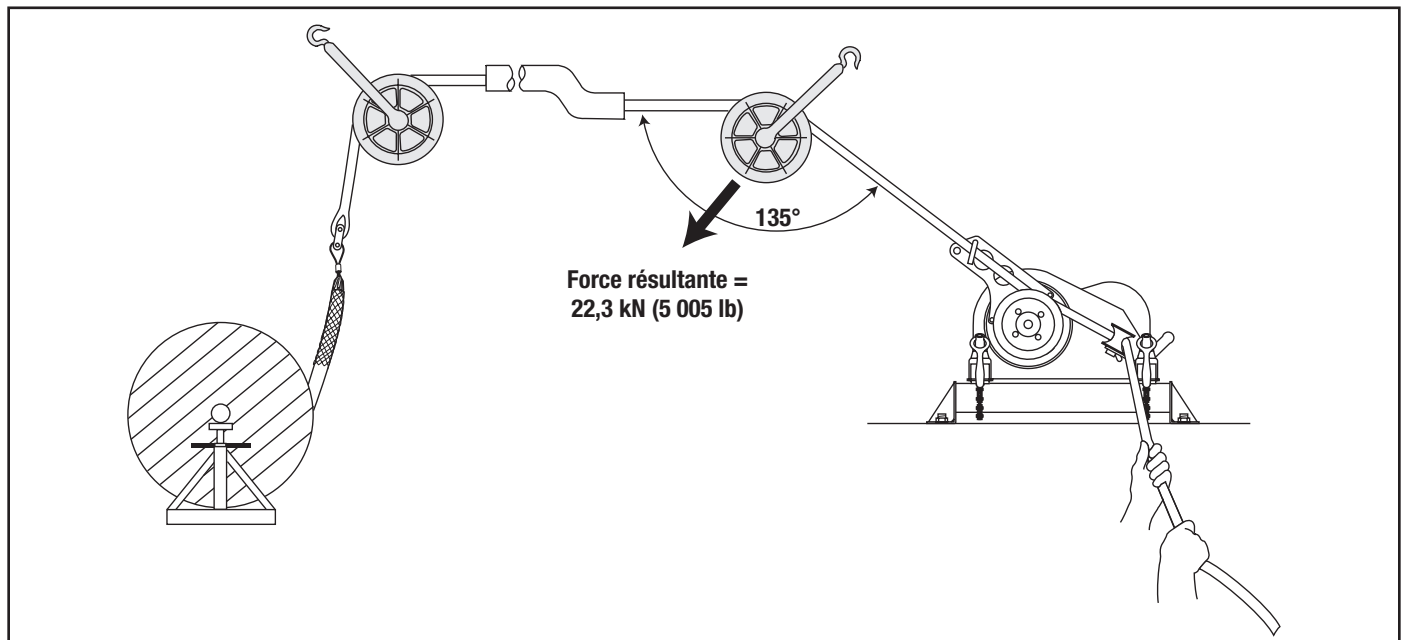
#### Au niveau des galets

Les galets servent à modifier la direction du tirage. Un changement de direction produit une nouvelle *force résultante* qui peut être *supérieure* à la force de tirage maximale du treuil de tirage. Cette nouvelle force résultante s'exerce sur les galets, sur le système d'ancrage des galets et sur les structures de support, comme sur l'illustration.

L'intensité de la force résultante dépend de l'angle de renvoi de la corde. Un tableau résumé est fourni ici; pour obtenir davantage de détails, consulter IM 1363 (99929988).

**Tableau de force résultante pour le Super Tugger (Force de tirage maximale de 28,9 kN [6 500 lb])**

Illustration	Angle de renvoi de la corde	R
	180°	0 (0)
	150°	15 (3 380)
	135°	22,3 (5 005)
	120°	28,9 (6 500)
	90°	40,8 (9 165)
	60°	50,0 (11 245)
	45°	53,5 (12 025)
	30°	55,8 (12 545)
	0°	57,8 (13 000)



**Force résultante typique sur le galet**

## Principes du tirage de câble (suite)

### Ravaler la corde

La corde doit être tirée hors du cabestan à mesure de l'avancement du tirage. La portion qui est refoulée par le cabestan est la « queue de corde ». Le fait de tirer la corde hors du cabestan s'appelle *ravaler la corde*.

La résistance du câble varie tout au long de la durée du tirage de câble. Les variations de résistance sont liées aux caractéristiques de la corde, aux changements de direction du conduit et aux variations de la quantité de frottement. Ces informations peuvent être « ressenties » à travers la corde. Cela s'appelle la *perception tactile*. Veiller à ajuster la force de ravalement comme il se doit en fonction de ces variations.

### Maîtriser le tirage

Le fait de réduire la force de ravalement a pour effet de réduire la force de tirage, jusqu'à ce que la corde glisse sur le cabestan et que le tirage s'arrête. Cela offre un haut degré de contrôle sur le tirage de câble.

Ne pas laisser la corde glisser sur le cabestan plus de quelques instants. S'il s'avère nécessaire d'arrêter complètement un tirage, couper le treuil de tirage et maintenir suffisamment de force de ravalement sur la corde pour tenir le câble en place. Attacher la corde pour tenir la tenir en place. Utiliser la barre d'attache de corde pour la tenir en place.

### Intensité de la force de ravalement

Lorsque la corde et le câble sont sous tension, il est important d'exercer l'intensité de force qui convient sur la corde.

*Une force de ravalement trop faible* permet à la corde de glisser sur le cabestan. Cela produit un échauffement important et accélère l'usure de la corde, ce qui accroît son risque de rupture.

Une force de ravalement appropriée empêche la corde de glisser sur le cabestan et produit une force de tirage suffisante pour tirer la corde et le câble.

*Une force de ravalement trop importante* est toute traction sur la corde supérieure à ce qui est nécessaire pour l'empêcher de glisser sur le cabestan. Une force de ravalement excessive n'accroît ni la force ni la vitesse de tirage.

### Nombre de tours de corde sur le cabestan

Il convient de laisser un opérateur expérimenté choisir le nombre de fois dont la corde doit être enroulée sur le cabestan.

Un nombre de tours correct permet à l'opérateur de maîtriser l'avancement du tirage moyennant un effort raisonnable.

Un *nombre insuffisant* de tours exige une force de ravalement importante pour effectuer le tirage. Avec un nombre insuffisant de tours, il est également plus probable que la corde glisse sur le cabestan. Cela produit un échauffement et accélère l'usure de la corde.

Un *nombre excessif* de tours produit un plus fort accrochage de la corde sur le cabestan. Cela accélère l'usure de la corde, fait consommer plus d'énergie et accroît le risque de chevauchement de la corde. Un nombre excessif de tours a aussi pour effet de réduire la perception tactile, ce qui fait que l'opérateur reçoit moins d'informations sur le tirage. Il n'est pas possible de relâcher rapidement la tension de ravalement lorsqu'il y a trop de tours de corde.

S'il devient difficile de ravaler la corde, l'enrouler d'un tour supplémentaire sur le cabestan. Mettre le treuil à l'arrêt et relâcher toute la tension dans la corde. Ajouter un tour et reprendre le tirage. Garder toutefois à l'esprit que certains tirages nécessitent une certaine tension pour maintenir les câbles en place. Si c'est le cas, ne pas tenter de relâcher toute la tension pour ajouter un tour de corde. Le nombre de tours doit être déterminé avant de démarrer le tirage.

### Empêcher le chevauchement de la corde

Ne pas laisser la corde se chevaucher sur le cabestan durant le tirage.

En cas de chevauchement de la corde, il n'est pas possible de poursuivre ni d'inverser le tirage.

Lors du chevauchement de la corde, l'opérateur perd le contrôle du tirage : la corde continue de s'enrouler sans tension de ravalement, mais ne se dévide plus du cabestan. Le cabestan ne permet pas d'inverser le sens de la corde et il n'est donc pas possible de sortir d'un chevauchement.

Configurer le treuil de tirage comme il se doit. La rampe pour corde et le cabestan conique ont pour objet d'empêcher les chevauchements de la corde. Voir les instructions dans la section Fonctionnement de ce manuel.

Chaque spire d'enroulement de la corde doit rester au contact direct du cabestan. Durant le tirage, veiller tout particulièrement à empêcher la corde entrante de se superposer à la spire voisine. Si un chevauchement commence à se produire, relâcher immédiatement la tension de ravalement de la corde afin que la corde se dévide en sens inverse vers le conduit ou le chemin de câble.

Une fois que la corde a repris sa position normale, appliquer la force de ravalement et poursuivre le tirage.

Il n'y a pas de solution préconisée en cas de chevauchement de la corde. **Ne pas laisser la corde se chevaucher!**



## Principes du tirage de câble (suite)

### Récapitulatif des principes du tirage de câble

- Un système de tirage de câble est constitué de nombreux éléments qui fonctionnent les uns avec les autres pour réaliser un tirage.
- Le treuil de tirage est caractérisé par sa force de tirage maximale; chacun des autres éléments est caractérisé par sa capacité maximale nominale. La capacité maximale nominale de chacun des éléments doit être égale ou supérieure à la force de tirage maximale du treuil de tirage.
- Le treuil de tirage doit surmonter deux types de résistance : la pesanteur et le frottement. Le cabestan du treuil, la corde de tirage et l'opérateur qui ravale la corde travaillent de concert pour produire la force de tirage.
- Le treuil de tirage exerce une force sur chacun des éléments du système de tirage de câble, y compris sur les systèmes d'ancrage et sur les structures de support.
- La corde emmagasine de l'énergie lorsqu'elle s'étire sous l'effet de la charge. La défaillance de la corde ou de tout autre élément peut provoquer une libération soudaine d'énergie. Changer toute corde qui est usée ou endommagée.
- Choisir avec soin le nombre de tours de corde autour du cabestan avant de commencer le tirage.
- Contrôler le tirage en ravalant la corde. Veiller à se familiariser avec l'interaction de la corde et du cabestan.
- Ne pas laisser un chevauchement de corde se produire.

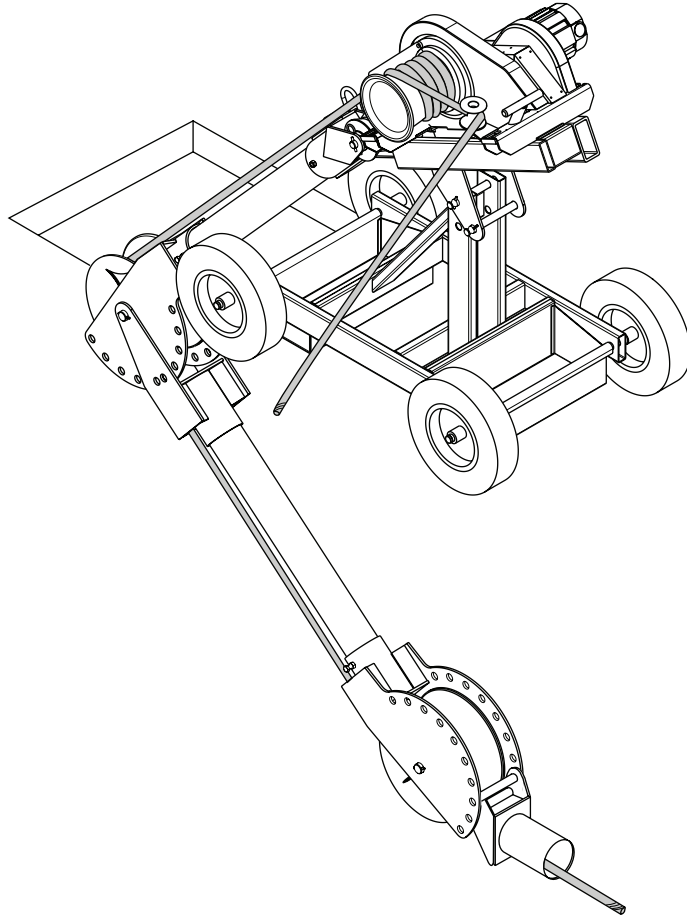
## Planifier le tirage

- Effectuer le tirage suivant une direction nécessitant la plus petite force de tirage possible.
- Prévoir plusieurs tirages courts plutôt que moins de tirages plus longs.
- Placer le treuil de tirage aussi près de l'extrémité du conduit que possible afin de minimiser la longueur exposée de corde sous tension.
- Placer chaque élément de manière à utiliser les forces de tirage efficacement.
- Choisir un système d'ancrage : galets d'accouplement, de préférence, ou fixation au sol.
- Vérifier que la capacité de charge nominale de chaque élément convient.
- Contrôler les structures de support. Vérifier qu'elles présentent toutes une résistance suffisante pour s'opposer aux forces maximales susceptibles d'être produites.

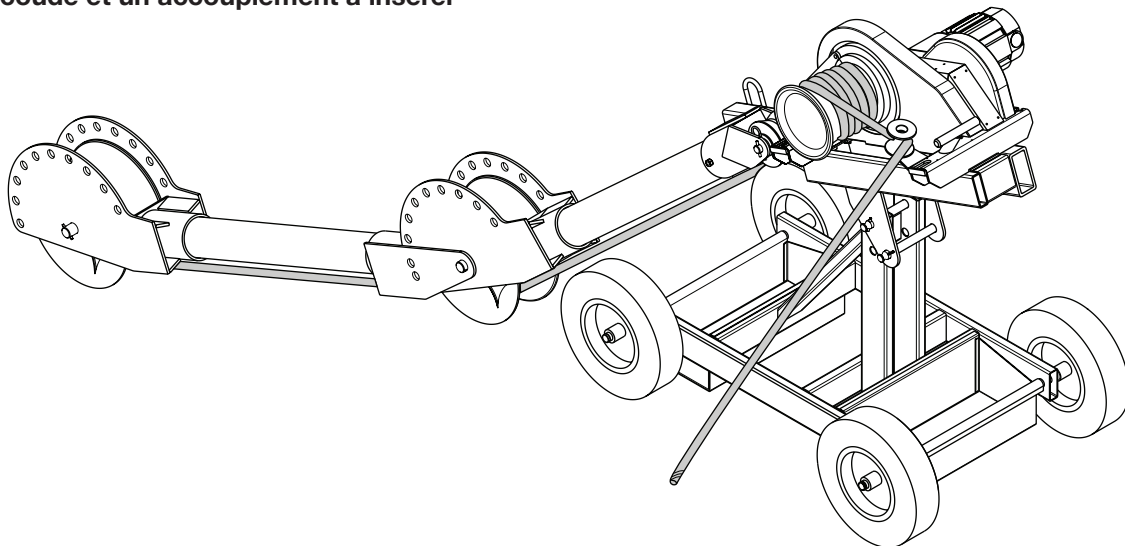
**Configurations typiques – utilisant l'ensemble d'adaptateur 11147**

Les configurations sont présentées sans dynamomètre de traction. Placer le dynamomètre de traction de manière à ce que l'opérateur ait une bonne vue du compteur et un accès rapide à son interrupteur MARCHÉ/ARRÊT.

**Tirage horizontal dans un trou d'homme en utilisant deux flèches, un nez, un coude et un accouplement à insérer**



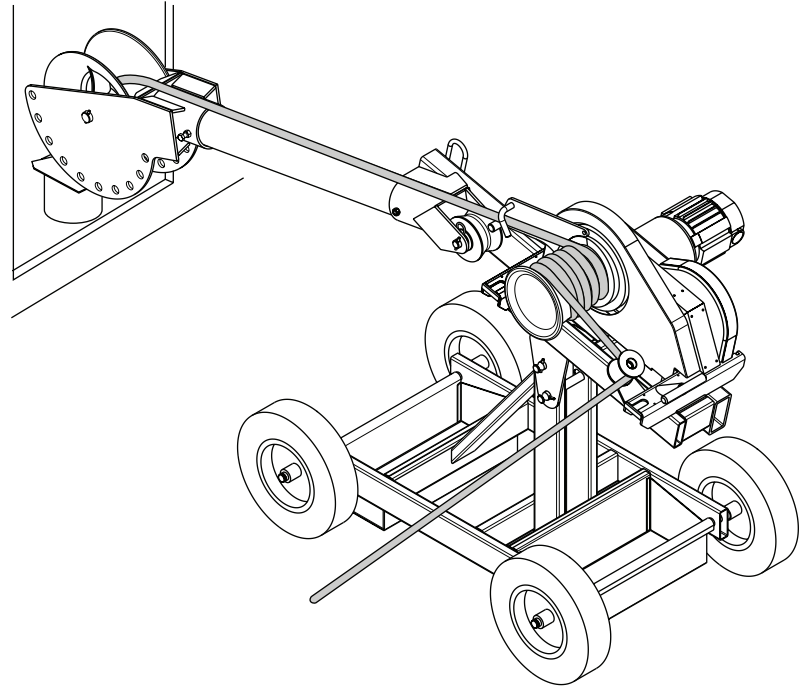
**Tirage horizontal dans un trou d'homme en utilisant deux flèches, un nez, un coude et un accouplement à insérer**



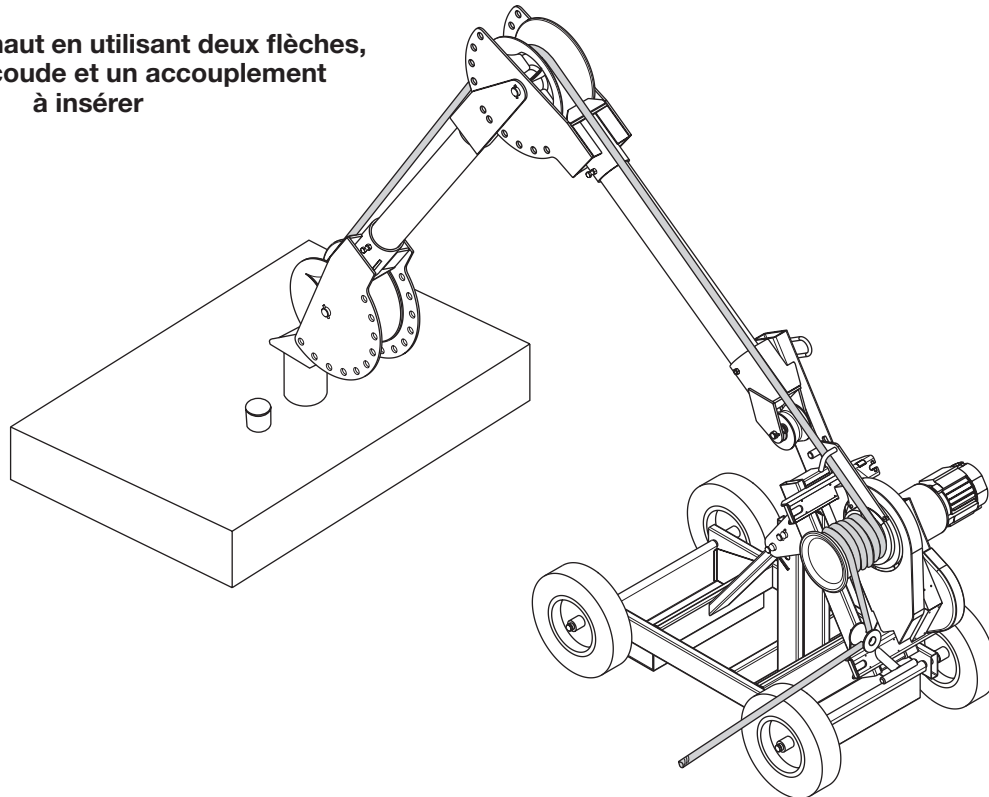
**Configurations typiques – utilisant l'ensemble d'adaptateur 11147 (suite)**

Les configurations sont présentées sans dynamomètre de traction. Placer le dynamomètre de traction de manière à ce que l'opérateur ait une bonne vue du compteur et un accès rapide à son interrupteur MARCHÉ/ARRÊT.

**Tirage vers le haut en utilisant une flèche, un nez, et un accouplement à insérer**

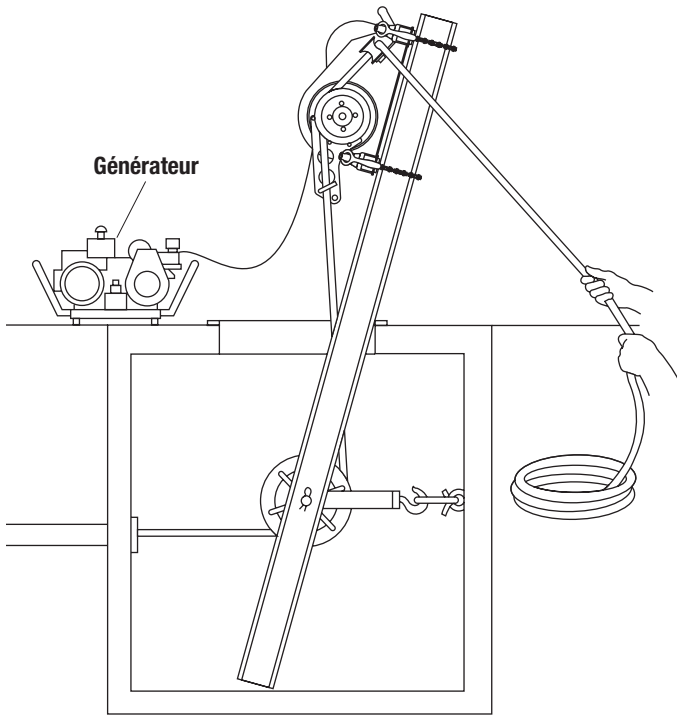


**Tirage vers le haut en utilisant deux flèches, un nez, un coude et un accouplement à insérer**

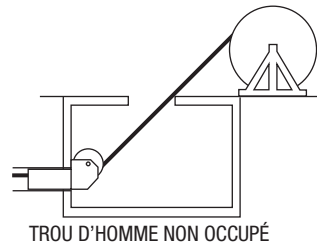


**Configurations typiques (suite)**

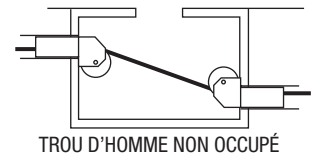
Les configurations sont présentées sans dynamomètre de traction. Placer le dynamomètre de traction de manière à ce que l'opérateur ait une bonne vue du compteur et un accès rapide à son interrupteur MARCHÉ/ARRÊT.



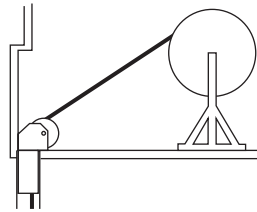
**Utilisation d'un galet de trou d'homme**



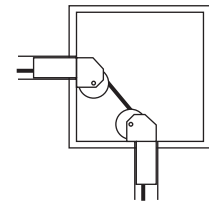
TROU D'HOMME NON OCCUPÉ



TROU D'HOMME NON OCCUPÉ

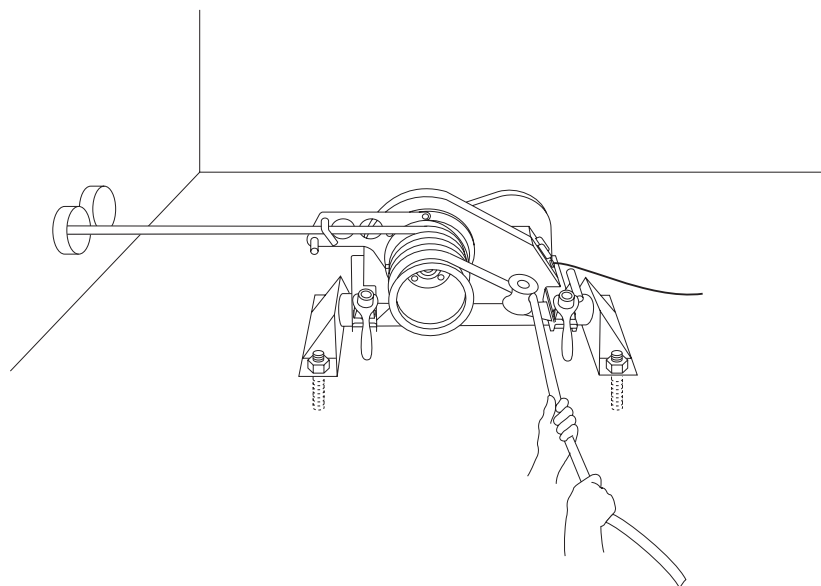


AU-DESSUS DU SOL



TROU D'HOMME NON OCCUPÉ

**Utilisation de galets d'amenée dans des trous d'homme**



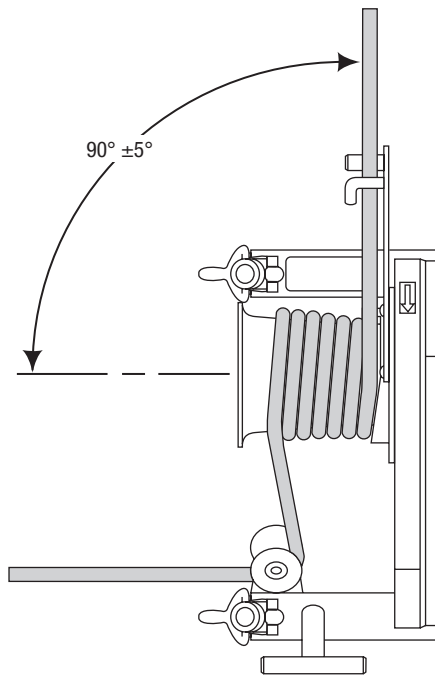
**Utilisation d'une fixation au sol**

## Configuration et fonctionnement

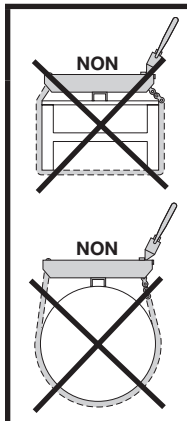
Durant la lecture de cette section du manuel, voir les éléments en grisé dans les illustrations. Le grisé identifie les composants mentionnés dans le texte correspondant.

1. Effectuer l'aiguillage de la corde à travers le conduit.
2. Monter la fixation du treuil de tirage. Monter le treuil de tirage de telle manière que la corde arrive sur le cabestan à un angle de  $90^\circ (\pm 5^\circ)$ , comme illustré dans la figure Corde arrivant sur le cabestan.

*Remarque : Lors de l'utilisation d'un galet d'accouplement, d'un adaptateur de tuyau flexible ou d'une flèche en T mobile, consulter les illustrations de ce manuel. Lors de l'utilisation d'un galet de trou d'homme ou d'une fixation au sol, consulter les instructions fournies avec ces articles.*



**Corde arrivant sur le cabestan**

	<p><b>⚠ AVERTISSEMENT</b></p> <p>Lors de la pose de l'accouplement de tuyau flexible ou du treuil, ne pas serrer les chaînes-étaux sur un support structurel de moins de 51 mm (2 po) ou de plus de 254 mm (10 po) de largeur. Sur un support sous-dimensionné ou surdimensionné, le treuil de tirage peut glisser ou se détacher et heurter les personnes présentes avec une force suffisante pour causer des blessures graves ou la mort.</p>
---	---

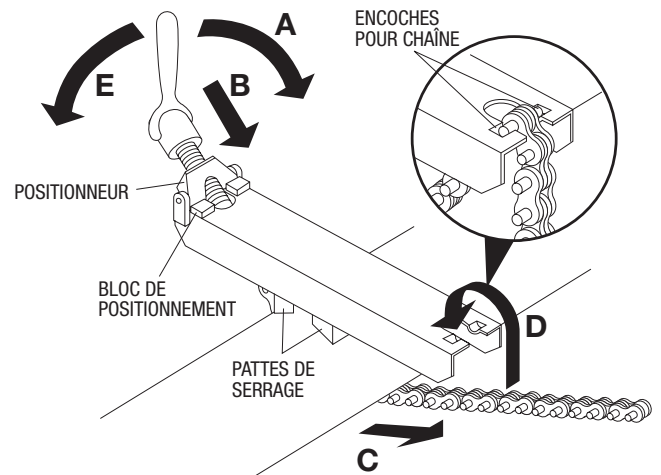
## ⚠ AVERTISSEMENT

Poser les chaînes-étaux correctement.

- Suivre les instructions de serrage des chaînes-étaux avec attention. En cas de serrage incorrect des chaînes-étaux, le treuil de tirage peut glisser ou se détacher et heurter des personnes présentes.
- Ne pas laisser les chaînes-étaux accrocher aux angles si le treuil est posé sur un support de section carrée ou rectangulaire. La chaîne-étai doit être uniformément tendue en tous points.

Le non-respect de ces mises en garde peut entraîner des blessures graves ou la mort.

3. Poser les chaînes-étaux comme illustré.



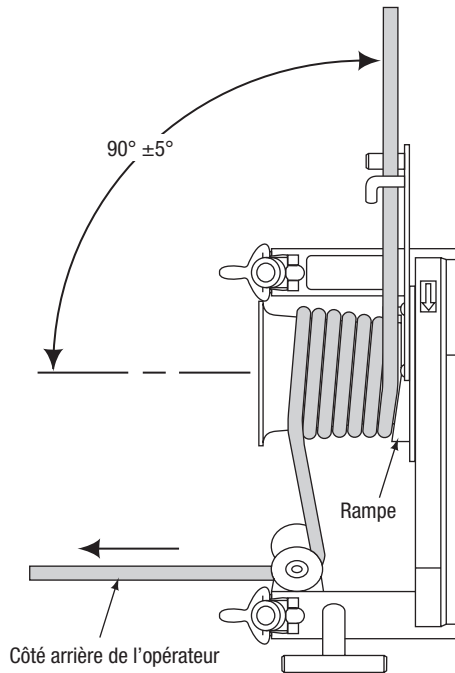
**Pose des chaînes-étaux**

- a. Tourner la manette de chaîne-étai dans le sens inverse des aiguilles d'une montre pour exposer la plus grande partie du filetage. Ne laisser que trois ou quatre filets engagés dans la manette.
  - b. Faire passer la chaîne dans le trou du cadre. Placer le positionneur contre les blocs de positionnement.
  - c. Enrouler la chaîne autour du conduit, de l'adaptateur de galet de tuyau ou de l'élément structurel.
  - d. Tirer fermement sur la chaîne-étai et engager un maillon dans les encoches ou les cavités pour chaîne.
  - e. Tourner la manette pour tendre légèrement la chaîne.
  - f. Répéter les étapes A à E pour l'autre chaîne.
4. Faire tourner les manettes de chaîne-étai à la main dans le sens horaire pour serrer entièrement la chaîne. Ne pas utiliser d'outils, d'extensions ou d'« allonges ».

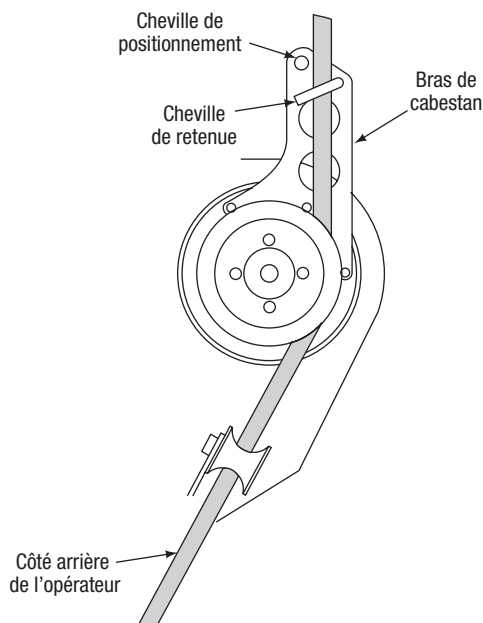
## Configuration et fonctionnement (suite)

5. Aligner la rampe de corde et faire passer la corde comme illustré dans les figures Chemin de la corde, vue du dessus et Chemin de la corde, vue du côté.

*Remarque : utiliser tous les composants du chemin de corde – la cheville de positionnement, la cheville de retenue, la rampe de corde et le cabestan conique – tel qu'illustré afin d'aider à empêcher le chevauchement de la corde.*



**Chemin de la corde, vue du dessus**



**Chemin de la corde, vue du côté**

6. Vérifier l'interrupteur MARCHE/ARRÊT sur le treuil pour vous assurer qu'il est en position ARRÊT. Brancher le treuil dans la prise du dynamomètre de traction. Brancher le dynamomètre de traction dans une source d'alimentation appropriée (consulter la section Instructions de mise à la terre de ce manuel).

*Remarque : Si une rallonge est utilisée, elle doit avoir une intensité nominale d'au moins 20 A. Utiliser la rallonge la plus courte possible. Les rallonges plus longues réduisent la vitesse du treuil.*

7. Placer le dynamomètre de traction de manière à ce que l'opérateur du treuil puisse le surveiller.

### Tableau de coefficient d'utilisation

Bande de couleur sur le compteur	Force de tirage en livres	Alarme	Coefficient d'utilisation (en minutes)
Vert	0-5 000	arrêt	continu
Jaune	5 000-5 500	marche	15 marche/ 15 arrêt
Jaune	5 500-6 500	marche	5 marche/ 15 arrêt
Rouge	au-dessus de 6 500	marche	le treuil s'arrêtera

8. Saisir le côté arrière de la corde. Appliquer une légère force de ravalement.  
9. Mettre le treuil en marche.  
10. Ravaler la corde, en la laissant s'accumuler sur le sol entre l'opérateur et le treuil.

*Remarque : Le bras de cabestan est conçu pour pivoter. Ne pas essayer d'empêcher le bras de pivoter.*

11. Une fois le tirage terminé, mettre le treuil à l'ARRÊT. Attacher la corde au taquet en forme de T et ancrer le câble.

## Enlèvement de câble

L'enlèvement d'un câble usagé s'appuie sur les mêmes principes que la pose d'un câble neuf. Il y a toutefois quelques différences importantes.

### Force de tirage

Il est difficile de prédire le degré de force de tirage nécessaire pour extraire un câble usagé. Ce câble peut être endommagé et peut se rompre sous l'effet d'une force de tirage même très réduite.

Les forces de tirage requises peuvent être très élevées :

- Le câble s'est probablement « grippé ». Contrairement au câble neuf sur le dévidoir, le câble dans le conduit s'y trouve probablement depuis plusieurs années, voire plusieurs décennies. Ce câble résiste à la flexion et au redressement lorsqu'il est tiré à travers le conduit.
- Le lubrifiant de tirage a probablement durci, ce qui accroît la résistance au tirage.
- L'isolant peut être endommagé et le câble peut être corrodé.
- De la terre ou autres corps étrangers peuvent avoir pénétré dans le conduit et scelle le câble en place.

### Utilisation d'un dynamomètre de traction

Lorsqu'on tire du vieux câble hors d'un conduit, la force de tirage sera à son maximum au début du tirage. Choisir un treuil de tirage et des composants de tirages qui satisfont ou surpassent la force de tirage nécessaire estimée pour retirer l'ancien câble. Puisque libérer le câble exigera la plus grande force de tirage, il faut utiliser un dynamomètre de traction pour empêcher la surcharge des composants du système. Pour le Super Tugger à 120 V, utiliser le dynamomètre de traction 37179. Pour le Super Tugger à 220 V, utiliser le dynamomètre de traction 35638.

Surveiller attentivement la force de tirage grâce au dynamomètre de traction : si le treuil ne peut pas commencer le tirage, éteindre le treuil et démonter l'installation. Recommencer avec un treuil et des composants ayant une force nominale plus élevée.

### Placement du treuil de tirage

L'extraction d'un câble usagé se fait généralement en plaçant le treuil de tirage à une certaine distance de l'extrémité du conduit. Cela permet de tirer une longue portion de câble avant de devoir arrêter le treuil, couper le câble et rattacher le tire-câble. Le placement du treuil de tirage à une certaine distance de l'extrémité du conduit augmente la longueur de corde exposée, ce qui accroît grandement l'amplitude du fouettement susceptible de se produire en cas de rupture de la corde ou d'autres composants.

Pour isoler l'opérateur du trajet de la corde :

- Placer le treuil de manière à se tenir derrière une protection, telle qu'un mur. Placer le treuil de manière à pouvoir maîtriser le tirage. L'opérateur doit avoir une vue dégagée de la corde qui s'enroule sur le cabestan, y compris de plusieurs mètres en amont du cabestan. Il doit pouvoir arrêter le treuil avant que le tire-câble, le connecteur ou l'émerillon ne touche le cabestan.
- Utiliser un galet de tirage supplémentaire pour changer la direction de ravalement de la corde. Ancrer ce galet de manière à être suffisamment près pour maintenir le contrôle du tirage. L'opérateur doit avoir une vue dégagée de la corde qui s'enroule sur le cabestan, y compris de plusieurs mètres en amont du cabestan. Il doit pouvoir arrêter le treuil avant que le tire-câble, le connecteur ou l'émerillon ne touche le cabestan.

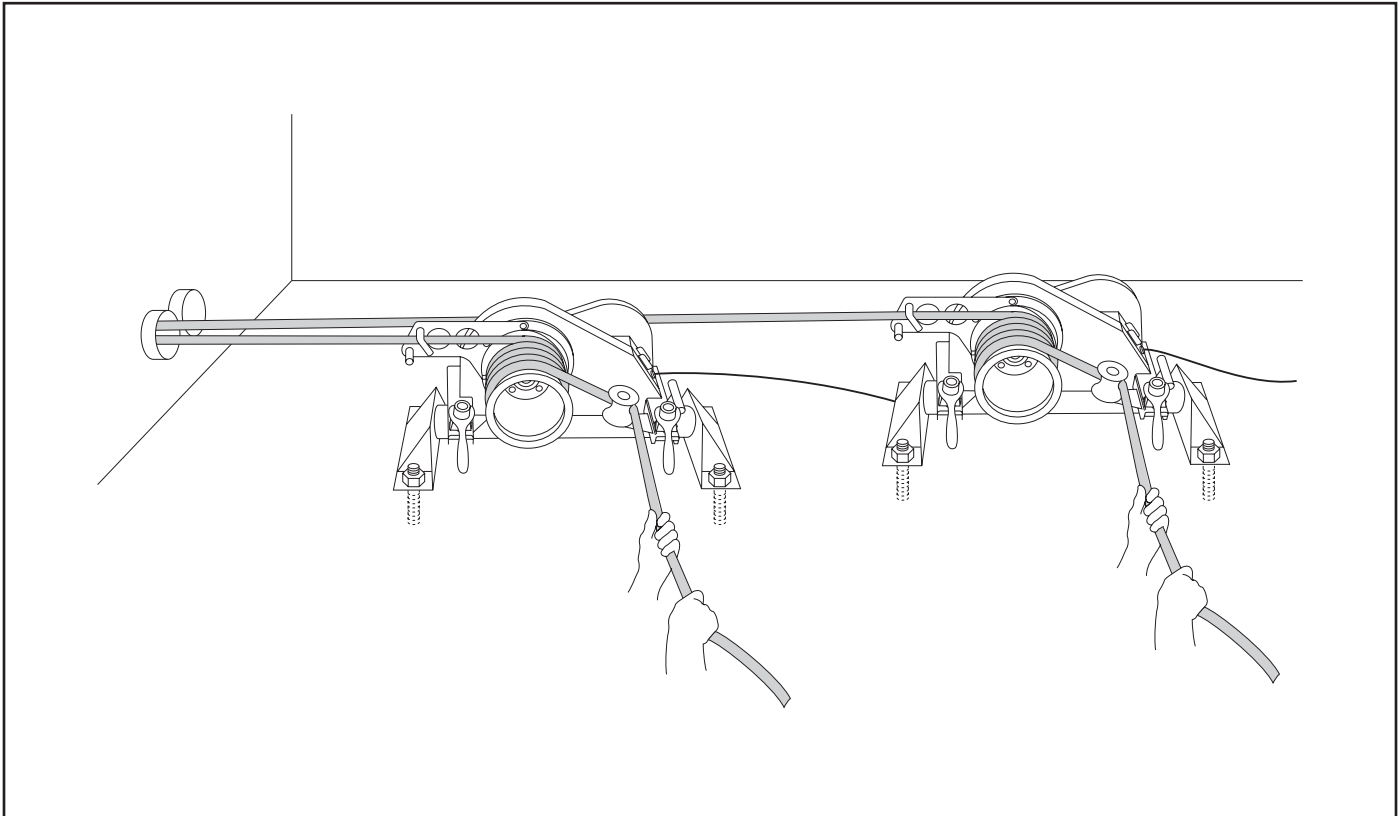
*Remarque : Utiliser le galet de tirage supplémentaire pour changer la direction de ravalement de la corde (après qu'elle ait quitté le cabestan). Ne pas changer la direction de la corde de tirage.*

- Utiliser une plus grande longueur de ravalement et se tenir à l'écart du treuil. Se tenir aussi loin du treuil que possible tout en maintenant le contrôle du tirage. L'opérateur doit avoir une vue dégagée de la corde qui s'enroule sur le cabestan, y compris de plusieurs mètres en amont du cabestan. Il doit pouvoir arrêter le treuil avant que le tire-câble, le connecteur ou l'émerillon ne touche le cabestan.

## Tirage double

Lorsque la résistance au tirage estimée dépasse la capacité d'un treuil, on peut utiliser deux treuils pour effectuer le tirage. Connecter les deux treuils aux câbles en parallèle –

utiliser deux ensembles de cordes, de tire-câbles et d'autres accessoires afin d'éviter de surcharger tout composant du système de tirage.




**Tirage double**



## Entretien

Lire attentivement toutes les instructions. S'assurer de comprendre toutes les instructions et d'avoir les outils nécessaires disponibles avant de démonter le treuil.

Activité d'entretien	Calendrier
Lubrifier les chaînes d'entraînement	toutes les 20 heures
Graisser les arbres des chaînes d'entraînement	
Inspecter les chaînes et la griffe de cliquet	toutes les 40 heures
Inspecter les balais du commutateur	

	<b>⚠ AVERTISSEMENT</b>
	<p>Danger de décharge électrique :</p> <p>Débrancher le treuil de tirage de son alimentation électrique avant toute opération d'entretien.</p> <p>Le non-respect de cette mise en garde pourrait entraîner des blessures graves ou la mort.</p>

### Lubrifier les chaînes d'entraînement (toutes les 20 heures)

1. Retirer la protection externe droite (69) et la protection externe gauche (4).
2. Lubrifier l'intérieur des chaînes avec de l'huile à engrenages 80W-90W.
3. Replacer les protections et les vis.

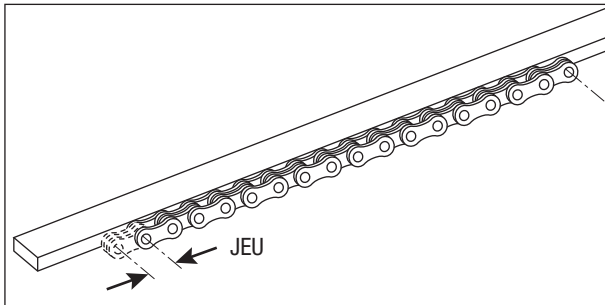
### Graisser les arbres de la transmission (toutes les 20 heures)

Appliquer une graisse tout usage NLGI de grade 2 (comme Mobil HP ou Amoco Permalub) aux raccords de graissage (5 et 37). Ces raccords sont situés à l'intérieur du boîtier de cabestan et sous l'arbre auxiliaire (31).

## Entretien (suite)

### Inspection des chaînes et de la griffe de cliquet (toutes les 40 heures)

1. Retirer la protection externe droite (69), la protection externe gauche (4) et la protection droite (61).
2. Retirer le lien de connexion (72) et la chaîne n° 40 (71).
3. Retirer les vis de retenue du cabestan (2). Retirer la vis de lubrification (5) et les rondelles (6-9). Retirer le cabestan (10-19). Retirer le lien de connexion (21) et la chaîne n° 60 (20).
4. Bien nettoyer les chaînes avec du solvant.
5. Placer les chaînes sur une règle d'ajusteur. Faire glisser l'extrémité de la chaîne vers l'avant et l'arrière pour vérifier le jeu. Voir l'illustration ci-dessous. Si le jeu est supérieur à 3/8 po, remplacer la chaîne. Remplacer la chaîne si un lien est coincé.



6. Lubrifier les chaînes avec de l'huile à engrenages 80W-90W.
7. Retirer la griffe de cliquet (43) et le ressort de compression (44). Enduire toutes les surfaces de fonctionnement d'une graisse tout usage NLGI de grade 2 (comme Mobilgrease® HP ou Amoco Permalub). Remplacer le ressort et la griffe.
8. Assembler la chaîne n° 40 (70).  
*Remarque : Installer la pince de chaque lien de connexion de manière à ce que l'extrémité fermée des pinces fasse face à la direction de déplacement de la chaîne, comme illustré dans la vue éclatée.*
9. Desserrer sans retirer les quatre écrous (41) qui fixent le moteur en place. Pousser le moteur en l'éloignant du pignon n° 40 (70) pour placer de la tension sur la chaîne. Serrer les écrous (41) à 8 pi-lb (10,8 Nm).

10. Assembler en ordre inverse.
11. Brancher le treuil et le mettre en MARCHÉ. Écouter les cliquements du mécanisme anti-inversion (griffe de cliquet et ressort de compression). Si on n'entend pas les cliquements, inspecter et réparer le treuil.

### **AVERTISSEMENT**

Ne pas faire fonctionner le treuil si le mécanisme anti-inversion ne fonctionne pas.


Le non-respect de cette mise en garde pourrait entraîner des blessures graves ou la mort.

### Inspecter les balais du commutateur (toutes les 40 heures)

1. Retirer deux capuchons de balai (121). Retirer deux balais (116).
2. Mesurer les balais. Si la longueur d'un des balais est inférieure à 3/8 po, remplacer les deux balais.

## Entretien (suite)

### Remplacement du cadre

	<b>⚠️ AVERTISSEMENT</b>
	<p>Danger de décharge électrique :</p> <p>Débrancher le treuil de tirage de son alimentation électrique avant toute opération d'entretien.</p> <p>Le non-respect de cette mise en garde pourrait entraîner des blessures graves ou la mort.</p>

Remplacer le cadre s'il semble endommagé. Pendant le démontage, inspecter chaque pièce. Remplacer toute pièce usée, endommagée ou manquante par des pièces de rechange Greenlee. Remplacer les roulements à aiguille (74 et 75), peu importe leur apparence.


1. Retirer la protection externe gauche (4). Retirer la vis de lubrification (5), les rondelles (6-9) et le cabestan (10-19).
2. Retirer la chaîne n° 60 (20). Retirer le pignon (22), les rondelles (23) et la protection (25).
3. Retirer la protection externe droite (69). Retirer la chaîne n° 40.
4. Retirer l'anneau de retenue (67), le pignon n° 60 (31) et tous les articles se trouvant sur le pignon (32-37 et 68-75). Jeter les roulements à aiguille (74 et 75).
5. Retirer la vis de capuchon (45) et tous les articles de l'assemblage excentrique (46-49).
6. Retirer la vis de capuchon (26) et tous les articles de l'assemblage de renvoi (27-30).
7. Retirer le boîtier de l'interrupteur (54) et ses composants.
8. Retirer le moteur, la manette, le galet, la griffe de cliquet et les pattes.
9. Assembler les articles sur le nouveau cadre en ordre inverse.

*Remarques : Remplacer tout composant qui présente des signes d'usure ou de dommages.*

*Lors du remplacement des articles de l'assemblage de pignon (31), installer de nouveaux roulements à aiguille (74 et 75).*

*Installer la pince de chaque lien de connexion de manière à ce que l'extrémité fermée des pinces fasse face à la direction de déplacement de la chaîne, comme illustré dans la vue éclatée.*

### Dépannage du circuit électrique

	<b>⚠️ AVERTISSEMENT</b>
	<p>Danger de décharge électrique :</p> <p>Débrancher le treuil de tirage de son alimentation électrique avant toute opération d'entretien.</p> <p>Le non-respect de cette mise en garde pourrait entraîner des blessures graves ou la mort.</p>

Consulter le schéma de câblage. Utiliser un vérificateur de continuité pour vérifier le circuit électrique. L'absence de continuité pendant la procédure suivante indique qu'une réparation est nécessaire.

1. Débrancher le treuil.
2. Régler les interrupteurs à MARCHE.
3. Placer les sondes du vérificateur de continuité sur les bornes suivantes du treuil de tirage et du dynamomètre de traction. Toutes ces paires de bornes devraient présenter une continuité.

Pour vérifier les interrupteurs :

A et B  
Q et R  
S et T (modèles à 220 V seulement)  
X et Y (modèles à 220 V seulement)

Pour vérifier les connecteurs :

G et A  
H et D  
I et J  
K et S  
L et O  
M et N  
U et N  
V et R  
W et K (modèles à 120 V seulement)  
W et T (modèles à 220 V seulement)

Pour vérifier le redresseur à pont :

C et D  
E et F

Pour vérifier l'ampèremètre :

O et P

Pour vérifier le moteur :

C et E

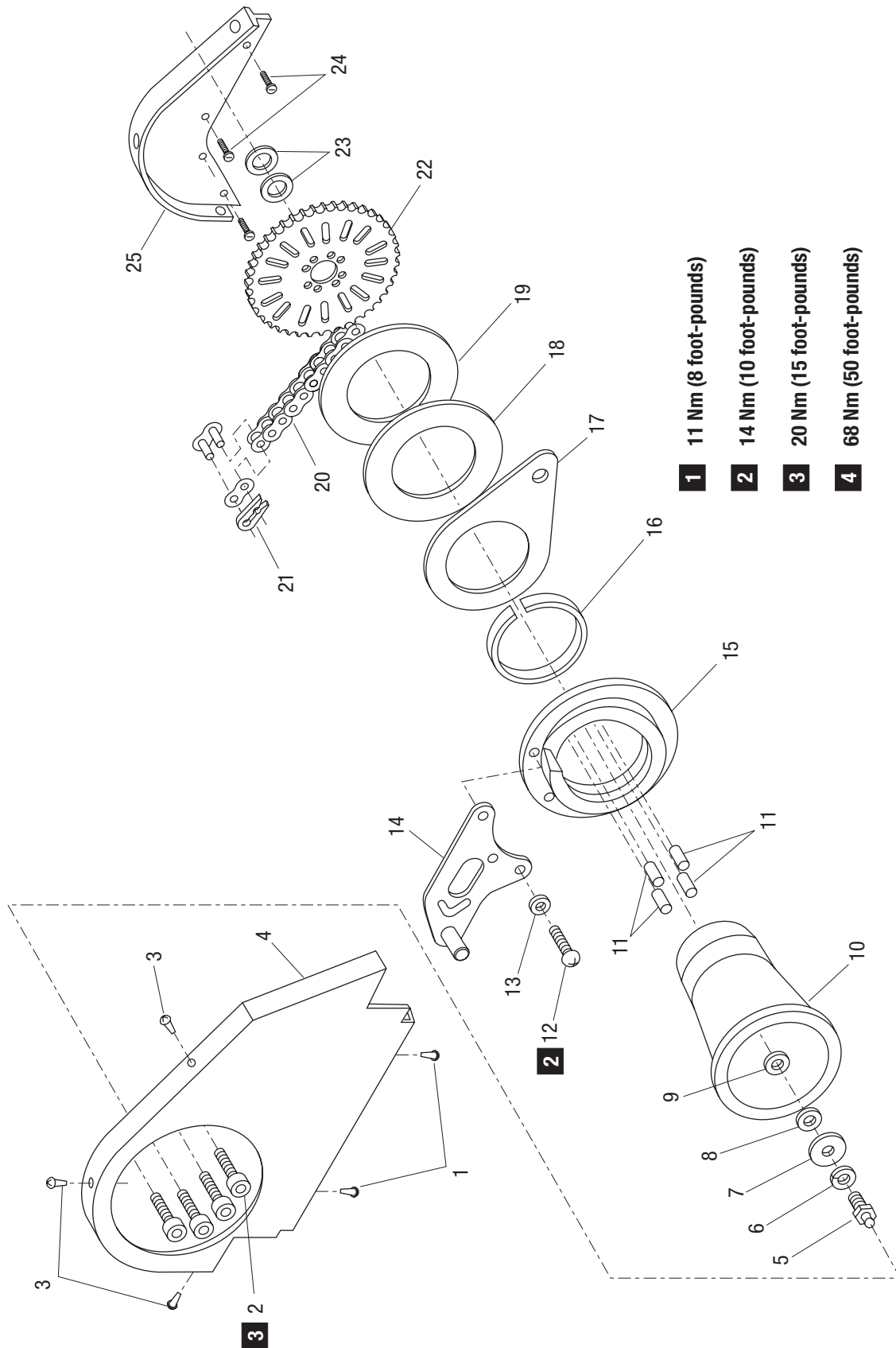
Si le moteur échoue cette vérification, inspecter les composants du moteur (balais, armatures et câbles). Remplacer toute pièce usée ou endommagée. Si la longueur d'un des balais est inférieure à 3/8 po, remplacer les deux balais.

## Dépannage

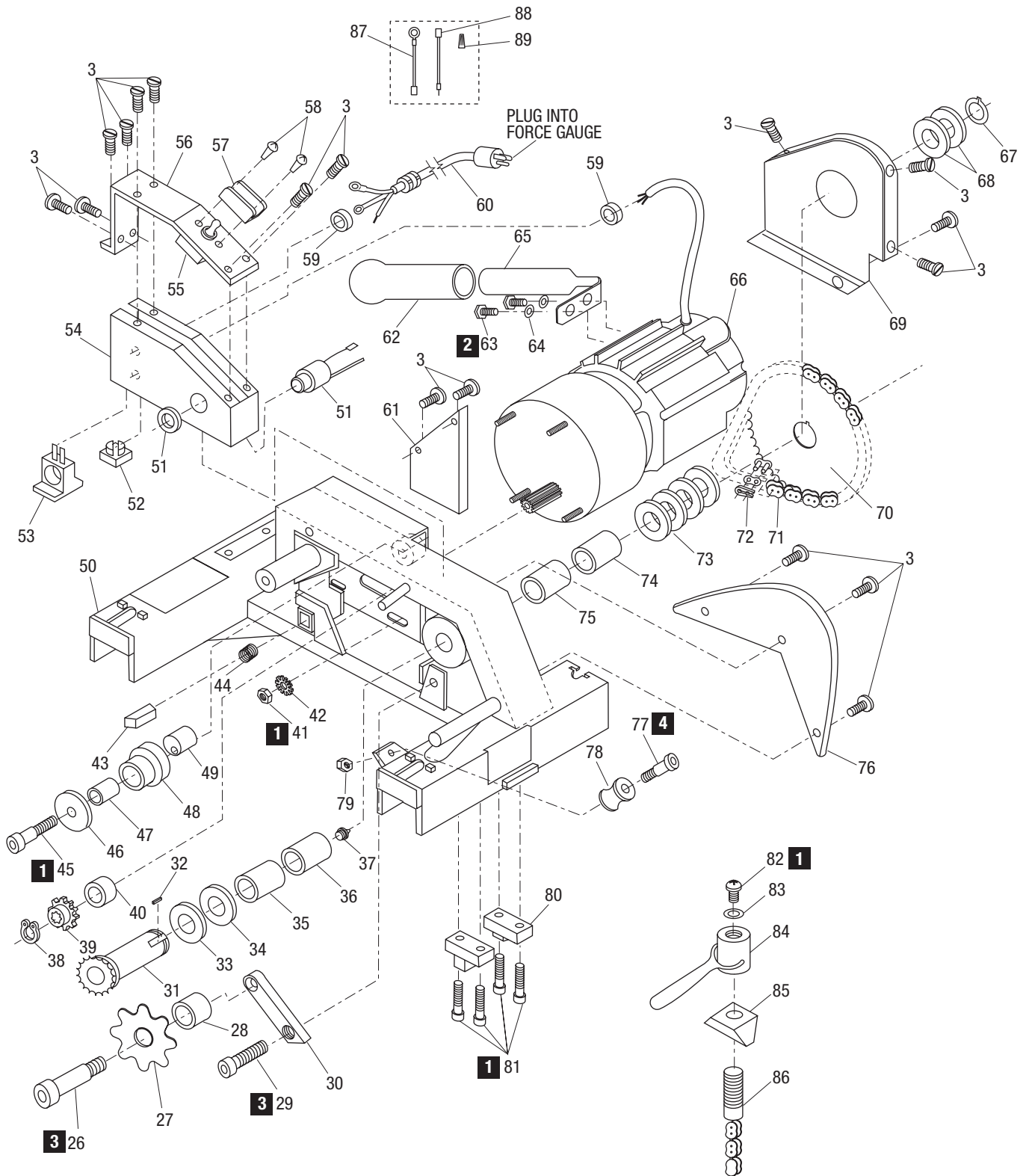
Si le treuil cesse de fonctionner, consulter le tableau de dépannage ci-dessous. Lors de toute réparation, inspecter le moteur, le cabestan et la transmission.

<b>Problème</b>	<b>Cause probable</b>	<b>Solution possible</b>
Le moteur ne fonctionne pas.	Il n'y a pas de courant dans le circuit d'alimentation.	Vérifier l'alimentation à l'aide d'un voltmètre. Consulter la section Caractéristiques de ce manuel.
	Interrupteur ou câblage défectueux.	Vérifier la continuité de l'interrupteur et du câblage.
	Moteur défectueux.	Vérifier la continuité du moteur et du câblage. Vérifier l'état des balais. Remplacer tout article usé ou endommagé.  Remplacer le moteur.
Le cabestan ne tourne pas tandis que le moteur fonctionne.	Chaîne n° 60 brisée.	Remplacer la chaîne n° 60.
	Chaîne n° 40 brisée.	Remplacer la chaîne n° 40.
	Pignon brisé dans la boîte de transmission ou arbre dénudé dans le moteur.	Démonter le treuil. Consulter les instructions de démontage dans la section Inspection des chaînes et de la griffe de cliquet. Remplacer tous les composants d'entraînement usés ou endommagés.

**Exploded View / Vista desarrollada / Vue éclatée**



**Exploded View (cont'd) / Vista desarrollada (cont.) / Vue éclatée (suite)**



**Parts List / Lista de piezas / Nomenclature des pièces**

Key	Part No.	Description	Qty
1	90516559	Screw, thread-forming, #10-16 x .500 hex washer head .....	2
2	90539222	Screw, cap, 3/8-16 x 2.75 socket head.....	4
3	90531949	Screw, self-tapping, #10-16 x .250, Phillips head .....	20
4	50301039	Guard, left outer .....	1
5	50255215	Screw unit, lubricating .....	1
6	90516036	Washer, lock, .643 x 1.08 x .156 spring .....	1
7	50299387	Washer, flat, .687 x 2.00 x .125.....	1
8	90526449	Washer, flat, .625 x 1.00 x .031.....(qty. determined at final assembly)	
9	90526457	Washer, flat, .625 x 1.00 x .062.....(qty. determined at final assembly)	
10	50355422	Capstan unit.....	1
11	90501349	Pin, dowel, .375 x 2.00.....	4
12	90525876	Screw, cap, 5/16-18 x .875, socket button head .....	3
13	90516028	Washer, 5/16 lock.....	3
14	50353055	Arm, capstan.....	1
15	50352911	Ramp.....	1
16	50353225	Bearing, ramp .....	1
17	50353187	Plate, anti-rotation.....	1
18	50353101	Washer, flat, 4.80 x 8.00 x .060, plastic .....	1
19	50353209	Washer, flat, 4.80 x 8.00 x .060, steel .....	1
20	50300954	Chain, roller, #60 .....	1
21	90542517	Connecting link for #60 chain .....	1
22	50353616	Sprocket, #60, 40 teeth.....	1
23	50296833	Washer, flat, 1.39 x 2.00 x .125 fiber.....	4
24	90514602	Screw, self-tapping, #10-32 x .375 Phillips head (120 volt model) .....	8
	90514602	Screw, self-tapping, #10-32 x .375 Phillips head (220 volt model) .....	7
25	50296752	Guard, left inner .....	1
26	90533194	Screw, shoulder, .500 x .625 x 3/8-16 .....	1
27	90532228	Sprocket, #60, 8 teeth.....	1
28	90533208	Bearing, bronze, .504 x .627 x .500 .....	1
29	90505956	Screw, cap, 3/8-16 x .625 socket head.....	1
30	50312510	Bracket, idler.....	1
31*	50300989	Sprocket, #60, 8 teeth.....	1
32	50301250	Key, 1/4" square.....	1
33*	50296698	Washer, thrust, 1.12 x 2.00 x .062 .....	1
34	50296841	Washer, flat, 1.39 x 2.00 x .031 fiber.....	1
35*	90531973	Inner race (Torrington #IR-182220) .....	1
36*	90531965	Inner race (Torrington #IR-182216) .....	1
37*	90512715	Grease fitting, Amelite #1743-B.....	1
38	90532163	Retaining ring, .625, Truarc #5100-62.....	1
39	50301160	Sprocket, #40, 8 teeth.....	1
40	50316699	Spacer, .652 x .750 x .562 .....	1
41	90517059	Nut, hex, 1/4-28 UNF .....	4
42	90532406	Washer, lock, .261 x .750 x .035 .....	4
43	50301020	Ratchet pawl .....	1
44	50163094	Spring, compression, .210 x 3.00 x 1.62 .....	1

**Parts List (cont'd) / Lista de piezas (cont.) / Nomenclature des pièces (suite)**

Key	Part No.	Description	Qty
45	90532368	Screw, cap, #10-24 x .875 socket head.....	1
46	90533410	Washer, flat, .194 x 1.08 x .062.....	1
47	90532384	Bearing, bronze, .690 x .878 x .500.....	1
48	50301233	Idler, chain.....	1
49	50301217	Adjuster, chain, eccentric.....	1
50	50301195	Frame unit.....	1
51	50354310	Horn unit (120 volt model).....	1
50	356330	Horn unit (220 volt model).....	1
52	91859972	Bridge rectifier, 600 volts, 35 amps, single phase.....	1
	90533615	Screw, self-tapping, #8-32 x .750 (secures bridge rectifier).....	1
53	50354302	Current transformer assembly (120 volt model).....	1
	50019481	Current transformer assembly (220 volt model).....	1
	90539362	Screw, self-tapping, #8-18 x .375 (secures current transformer).....	1
54	50354698	Housing, switch.....	1
	90507509	Washer, lock, .200 x .373 x .023 (for ground screw in switch housing).....	1
55	91863880	Circuit breaker (120 volt model).....	1
	91868017	Circuit breaker (220 volt model).....	1
56	50354680	Cover, switch.....	1
57	50297082	Guard, switch.....	1
58	90522036	Screw, machine, #6-32 x .250 round head.....	2
	91862639	Nut, conduit, 1/2" lock (not shown: engages the following item).....	2
59	90541243	Bushing, strain relief.....	2
60	50371703	Cord, power, 12 ga. x 72 inches (120 volt model).....	1
	50054902	Cord, power, 14 ga. x 84 inches (213 cm) (220 volt model).....	1
61	50301055	Guard, right.....	1
62	50223003	Grip.....	1
63	90505204	Screw, cap, 1/4-20 x .750 hex head.....	2
64	90516745	Washer, lock, .259 x .489 x .062 spring.....	2
65	50297929	Handle.....	1
66	50359975	Motor, electric, 120 volt.....	1
	50359983	Motor, electric, 220 volt.....	1
67	90532317	Retaining ring, 1.125, Truarc #5100-112.....	1
68	90532325	Washer, shim, 1.125 x 2.00 x .031 steel.....	2
69	50049186	Guard, right outer.....	1
70	50301241	Sprocket, #40, 47 teeth.....	1
71	50301179	Chain, roller, #40.....	1
72	90527879	Connecting link for #40 chain.....	1
73	50296868	Washer, flat, 1.14 x 2.00 x .125 fiber.....	4
74	90531981	Needle bearing (Torrington #BH-2216).....	1
75	90532007	Needle bearing (Torrington #BH-2220).....	1
76	50049178	Guard, right inner.....	1
77	90539214	Screw, shoulder, 5/8 x 1.75 x 1/2-13.....	1
78	50353110	Sheave.....	1
79	90527941	Nut, hex, 1/2-13.....	1



**Parts List (cont'd) / Lista de piezas (cont.) / Nomenclature des pièces (suite)**

Key	Part No.	Description	Qty
80	50296647	Foot.....	4
81	90505794	Screw, cap, 1/4-20 x .500 socket head.....	8
82	90539656	Screw, cap, 1/4-20 x .500 Torx button head .....	2
83	50356577	Washer, flat, .253 x .725 x .070.....	2
84	50296302	Handle unit, vise chain.....	2
85	50356607	Positioner unit, chain .....	2
86	50356615	Vise chain and screw unit, 36" .....	2
87	50371762	Black wire unit (120V).....	1
	50356364	Brown wire unit (220V)	
88	50371754	White wire unit (120V) .....	1
	50356374	Blue wire unit (220V)	
89	91864852	Wire nut.....	1

**Repair Kit**

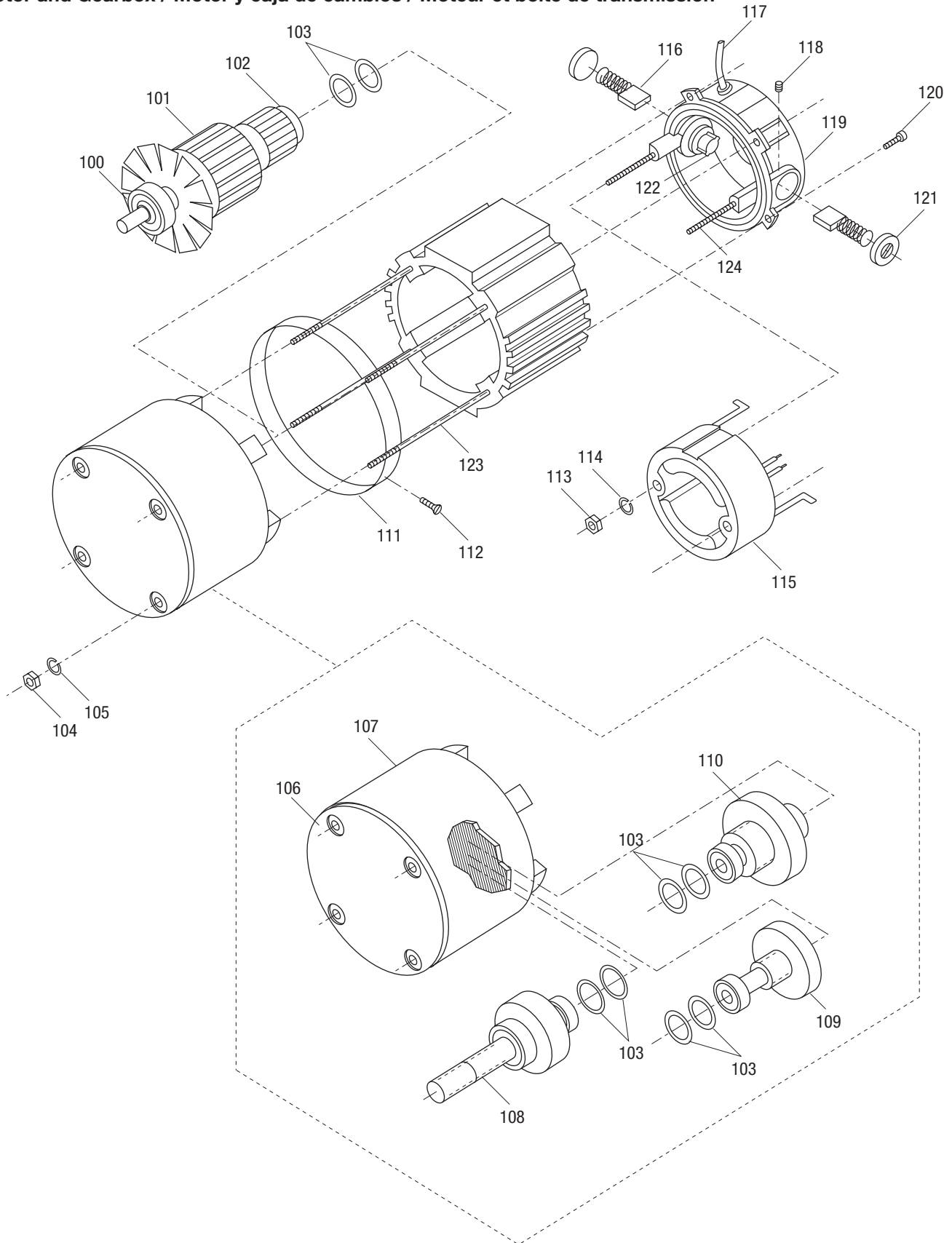
- \* 50062220 Countershaft and bearing unit (includes items marked with an asterisk)

**Decals and Nameplate for the Super Tugger**

50297937	Nameplate (120 volt model) .....	1
50314750	Nameplate (220 volt model) .....	1
90521927	Screw, self-tapping, #6-7 x .250 round head (for nameplate) .....	4
50299360	Decal, capstan rotation.....	1
50356631	Decal, read IM (120 volt model) .....	1
50359878	Decal, read IM (220 volt model) .....	1
50357050	Decal, rope path.....	1
50357069	Decal, mounting.....	1
50362763	Decal, caution, rope.....	1
99935767	Decal, technical assistance.....	1

**Exploded View / Vista desarrollada / Vue éclatée**

**Motor and Gearbox / Motor y caja de cambios / Moteur et boîte de transmission**

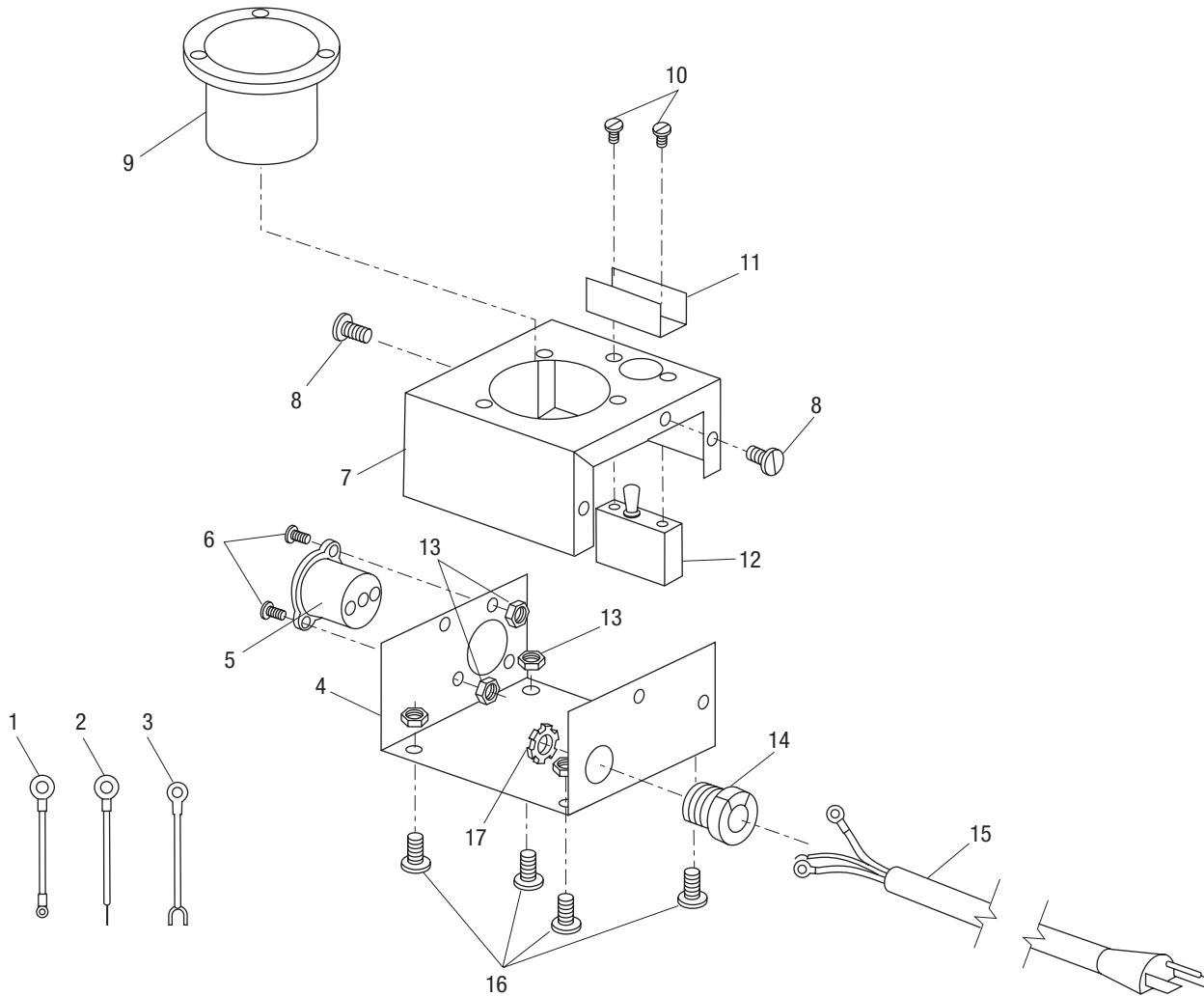


**Parts List / Lista de piezas / Nomenclature des pièces**
**Motor and Gearbox / Motor y caja de cambios / Moteur et boîte de transmission**

Key	Part No.	Description	Qty
100	91860717	Bearing, armature (fan end).....	1
101	91860644	Armature (120 volt model).....	1
	91867576	Armature (220 volt model).....	1
102	91860725	Bearing, armature (cap end).....	1
103	91860733	Washer, Belleville .....	6
104	90501896	Nut, 1/4–28 UNF .....	4
105	90507495	Washer, lock, .262 x .469 x .026, internal tooth.....	4
106	9186273.6	Plate, end .....	1
107	91862728	Housing, gear box.....	1
108	91862760	Gear shaft, output assembly (includes bearings).....	1
109	52024492	Gear shaft, drive assembly (includes bearings) .....	1
110	91862752	Gear shaft, driven assembly (includes bearings) .....	1
111	50301284	Screen, motor .....	1
112	90518411	Screw, thread-cutting, #5–40 x .250 pan head .....	4
113	90516869	Nut, hex, #10–32 full .....	2
114	90507509	Washer, lock, .200 x .373 x .023, internal tooth.....	2
115	91860652	Field (120 volt model).....	1
	91861455	Field (220 volt model).....	1
116	91860679	Brush.....	2
117	91860660	Power cord (120 volt model).....	1
	9186147	Power cord (220 volt model).....	1
118	90511948	Screw, set, #10–32 x .187 socket cup (for the brush holder).....	2
119	91861020	End cap assembly.....	1
120	90505778	Screw, cap, #10–32 x .750 socket head .....	4
121	91860687	Cap, brush .....	2
122	91860695	Holder, brush.....	2
123	91869226	Rod, threaded, 1/4–28 x 6.093 .....	4
124	91869234	Rod, threaded, #8–32 x 2.500.....	2

**Exploded View / Vista desarrollada / Vue éclatée**

50371797 – Force Gauge Unit with Serial Code ZT (120 Volt Model)  
50371797 – Unidad de dinamómetro con código serial ZT (Modelo de 120 V)  
50371797 – Dynamomètre de traction à code de série ZT (modèle à 120 V)



**Parts List / Lista de piezas / Nomenclature des pièces**
**50371797 – Force Gauge Unit with Serial Code ZT (120 Volt Model)**
**50371797 – Unidad de dinamómetro con código serial ZT (Modelo de 120 V)**
**50371797 – Dynamomètre de traction à code de série ZT (modèle à 120 V)**

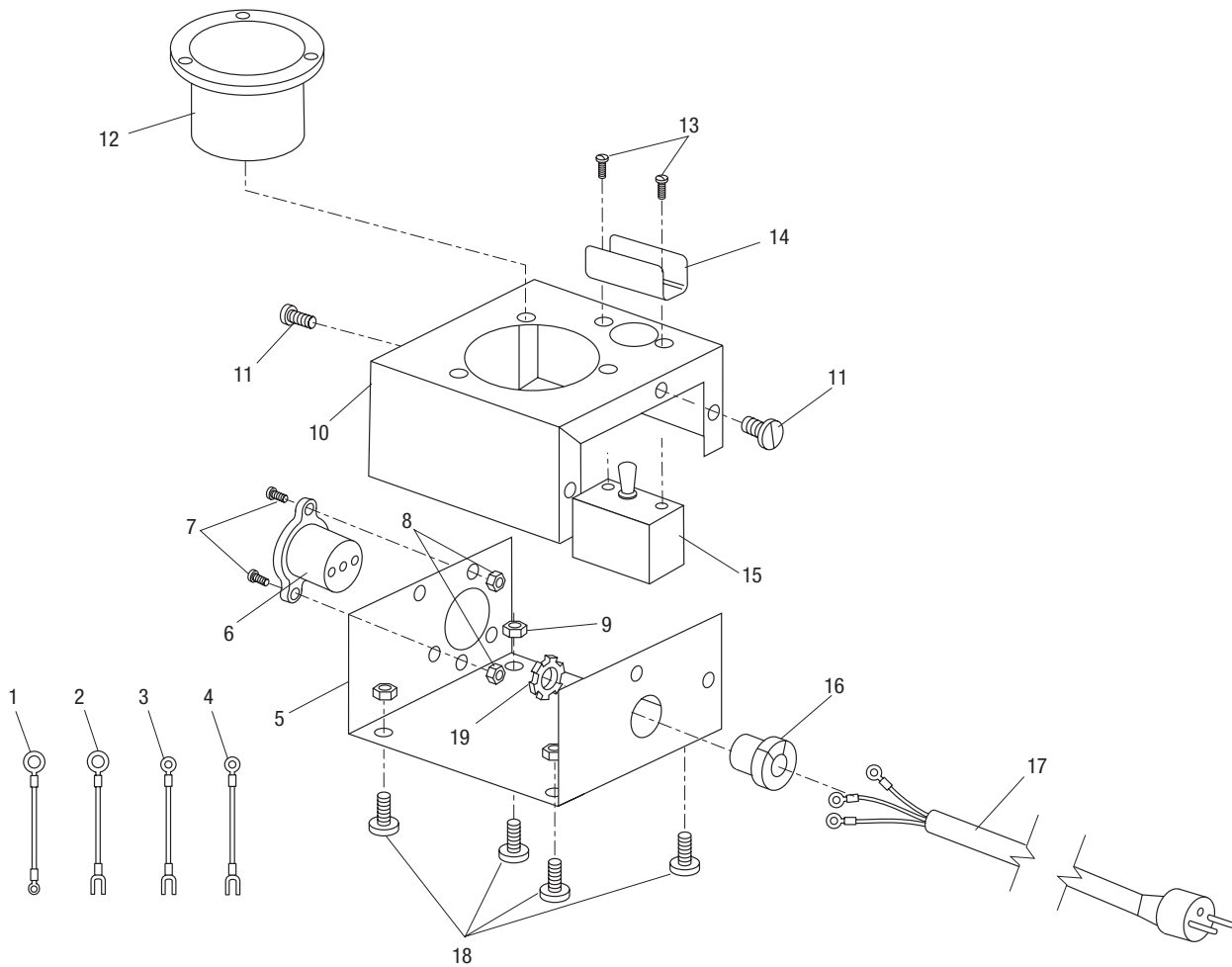
Key	Part No.	Description	Qty
	50371797	Force gauge unit	
1	50371622	Wire, 12 ga. x 3.00, black .....	1
2	50371630	Wire, 12 ga. x 7.00, black .....	1
3	50371649	Wire, 12 ga. x 4.00, green .....	1
4	50371088	Box.....	1
5	91866847	Receptacle, female .....	1
6	90514408	Screw, machine, #8–32 x .375 round head.....	2
7	50371070	Cover.....	1
8	90531949	Screw, self-tapping, #10– 16 x .250 Phillips head .....	6
9	50316460	Meter (supplied with hardware).....	1
10	90522036	Screw, machine, #6–32 x .250 round head.....	2
11	50297082	Guard, switch .....	1
12	91863830	Switch, toggle, 120 volt, single-pole (supplied with hardware).....	1
13	90506332	Nut, hex, #8–32 .....	4
14	90541243	Bushing, strain relief.....	1
15	50371703	Cord, power, 12 ga. x 6' .....	1
16	90539346	Bumper, #8–32 machine screw, rubber .....	4
17	91862639	Nut, lock, 1/2" conduit .....	1

**Decals for the Force Gauge**

50303929	Decal, damp warning .....	1
50327186	Decal, adjustment zero .....	1
50378953	Decal, identification (120 volt model).....	1

**Exploded View / Vista desarrollada / Vue éclatée**

50054856—Force Gauge Unit with Serial Code ADZ (220 Volt Model)  
50054856—Unidad de dinamómetro con código serial ADZ (Modelo de 220 V)  
50054856 – Dynamomètre de traction à code de série ADZ (modèle à 220 V)



**Parts List / Lista de piezas / Nomenclature des pièces**
**50054856—Force Gauge Unit with Serial Code ADZ (220 Volt Model)**
**50054856—Unidad de dinamómetro con código serial ADZ (Modelo de 220 V)**
**50054856 – Dynamomètre de traction à code de série ADZ (modèle à 220 V)**

Key	Part No.	Description	Qty
	50054856	Force gauge unit	
1	50314807	Wire, 14 ga. x 3.00, brown .....	1
2	50356313	Wire, 14 ga. x 6.00, brown .....	1
3	50314785	Wire, 14 ga. x 5.00, green with yellow stripe .....	1
4	50356321	Wire, 14 ga. x 6.00, blue .....	1
5	50054872	Box, lower .....	1
6	91869129	Receptacle, female .....	1
7	90502787	Screw, cap, #6–32 x .500 socket head .....	2
8	90506324	Nut, hex, #6–32 .....	2
9	90506332	Nut, hex, #8–32 .....	4
10	50371070	Box, upper .....	1
11	9053194	Screw, self-tapping, #10–16 x .250 Phillips head .....	6
12	5031469	Meter (supplied with hardware).....	1
13	9052203	Screw, machine, #6–32 x .250 round head.....	2
14	50297082	Guard, switch .....	1
15	9186413	Switch, toggle, 220V, DPDT .....	1
16	90541243	Bushing, strain relief.....	1
17	5007937	Cord, power, 14 ga. x 6.5' (198 cm).....	1
18	90539346	Bumper, #8–32 machine screw, rubber .....	4
19	91862639	Nut, lock, 1/2" conduit .....	1

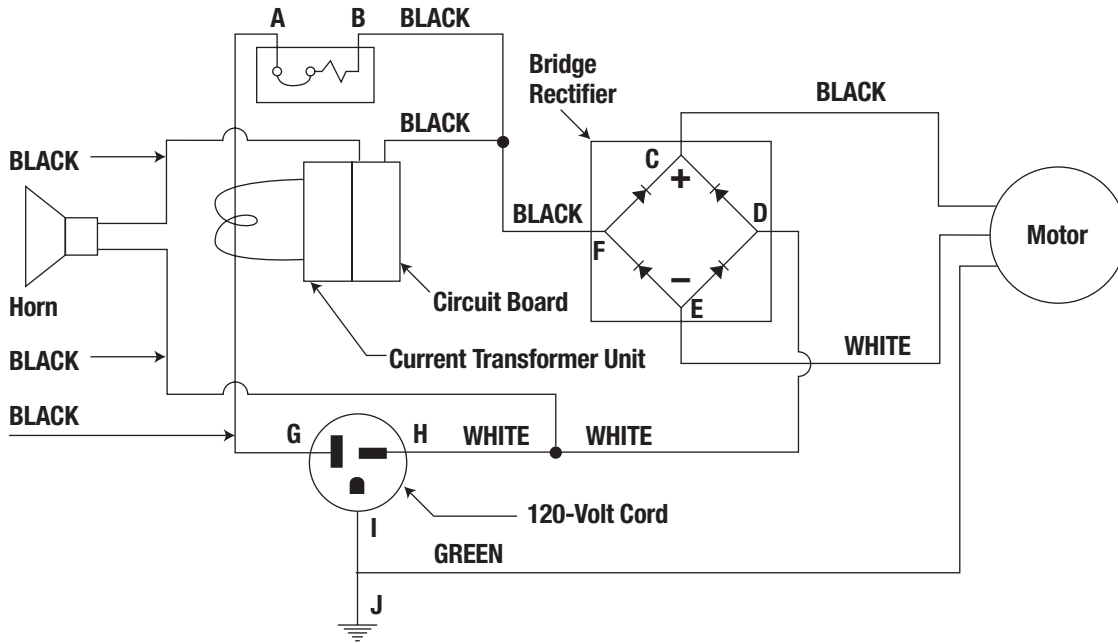
**Decals for the Force Gauges**

50303929	Decal, damp warning .....	1
50327186	Decal, adjustment zero .....	1
50054899	Decal, identification (220 volt model).....	1

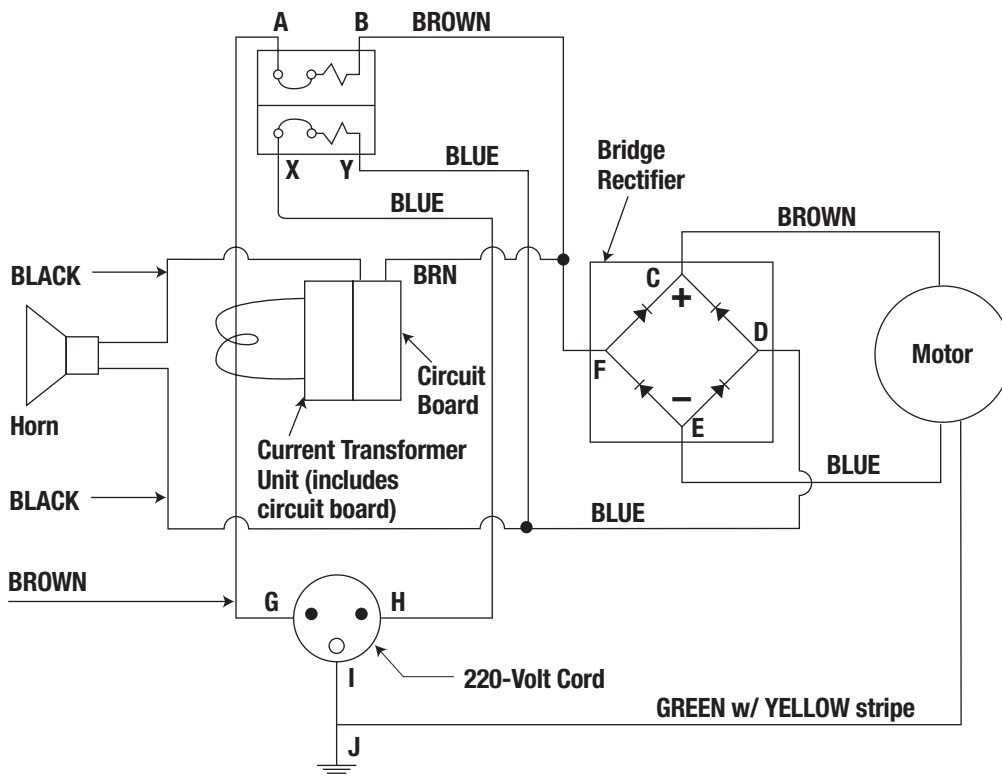
## Wiring Diagram / Diagrama de cableado / Schéma de câblage

Super Tugger® and Force Gauges / Super Tugger® y dinamómetros /  
 Super Tugger® et dynamomètres de traction

120 Volt

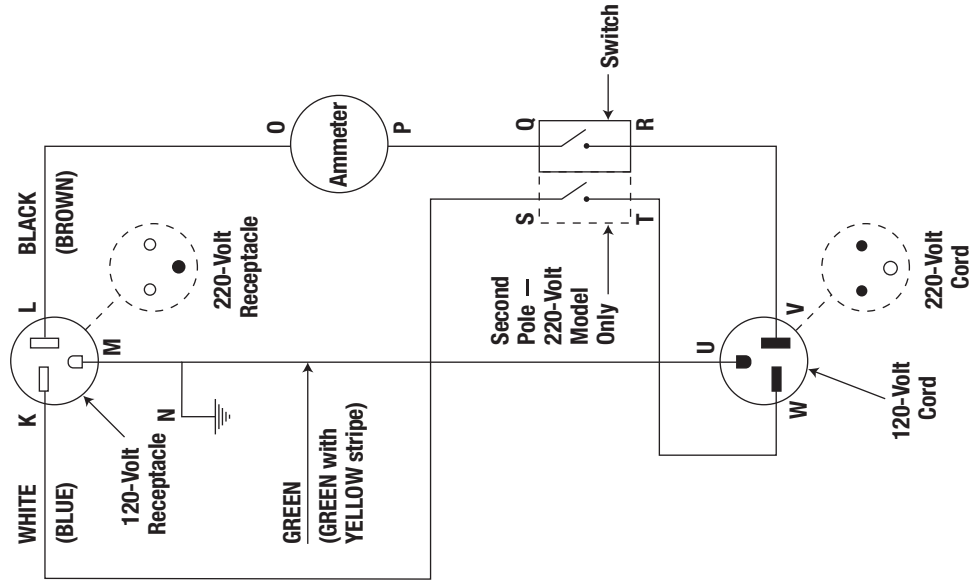


220 Volt



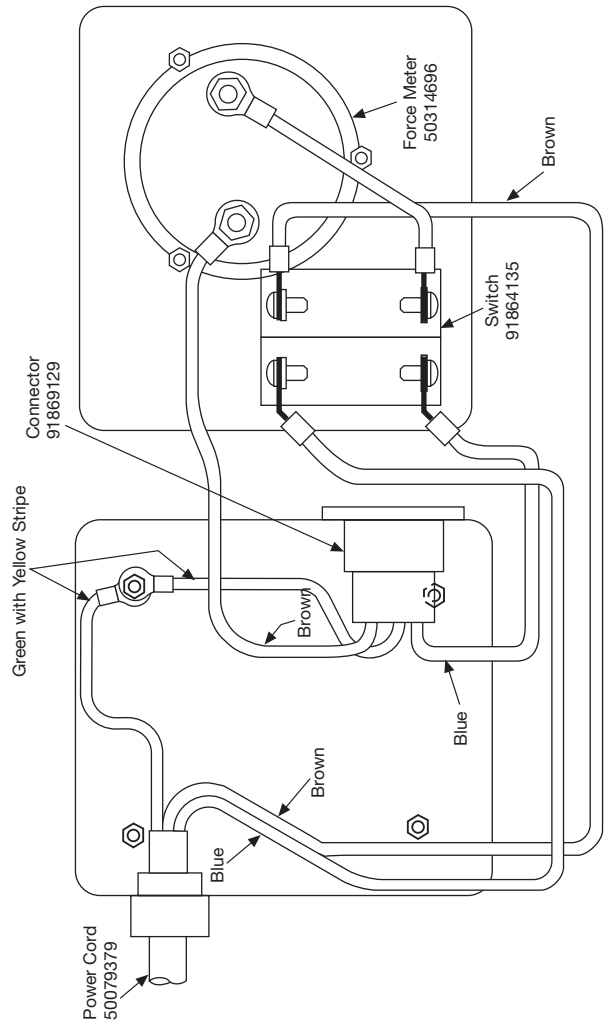
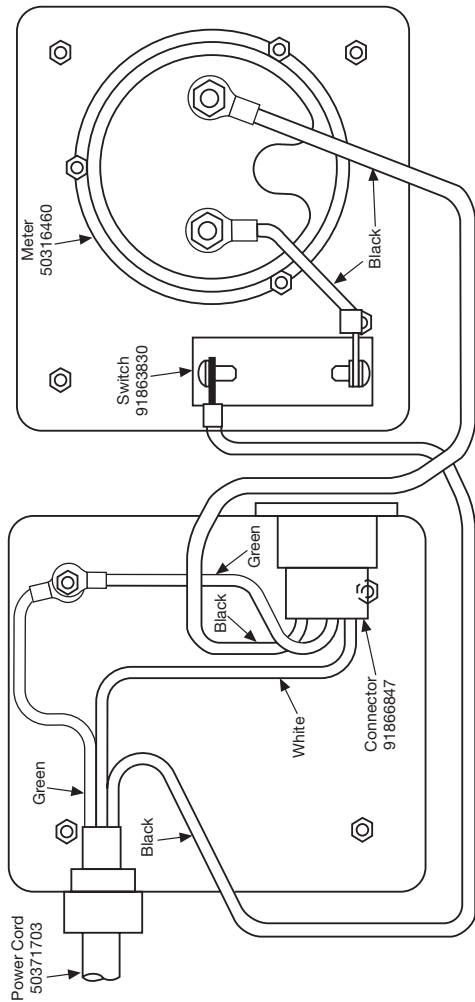


**Wiring Diagrams / Diagramas de cableado / Schémas de câblage**



**37179 Force Gauge (120 Volt)**  
**Dinamómetro 37179 (120 V)**  
**37179 Dynamomètre de traction (120 V)**

**05485 Force Gauge (220 Volt)**  
**Dinamómetro 05485 (220 V)**  
**05485 Dynamomètre de traction (220 V)**





4455 Boeing Drive • Rockford, IL 61109-2988 • USA • 815-397-7070  
©2019 Greenlee Tools, Inc. • An ISO 9001 Company

[www.greenlee.com](http://www.greenlee.com)

**USA** Tel: 800-435-0786  
Fax: 800-451-2632

**Canada** Tel: 800-435-0786  
Fax: 800-524-2853

**International** Tel: +1-815-397-7070  
Fax: +1-815-397-9247