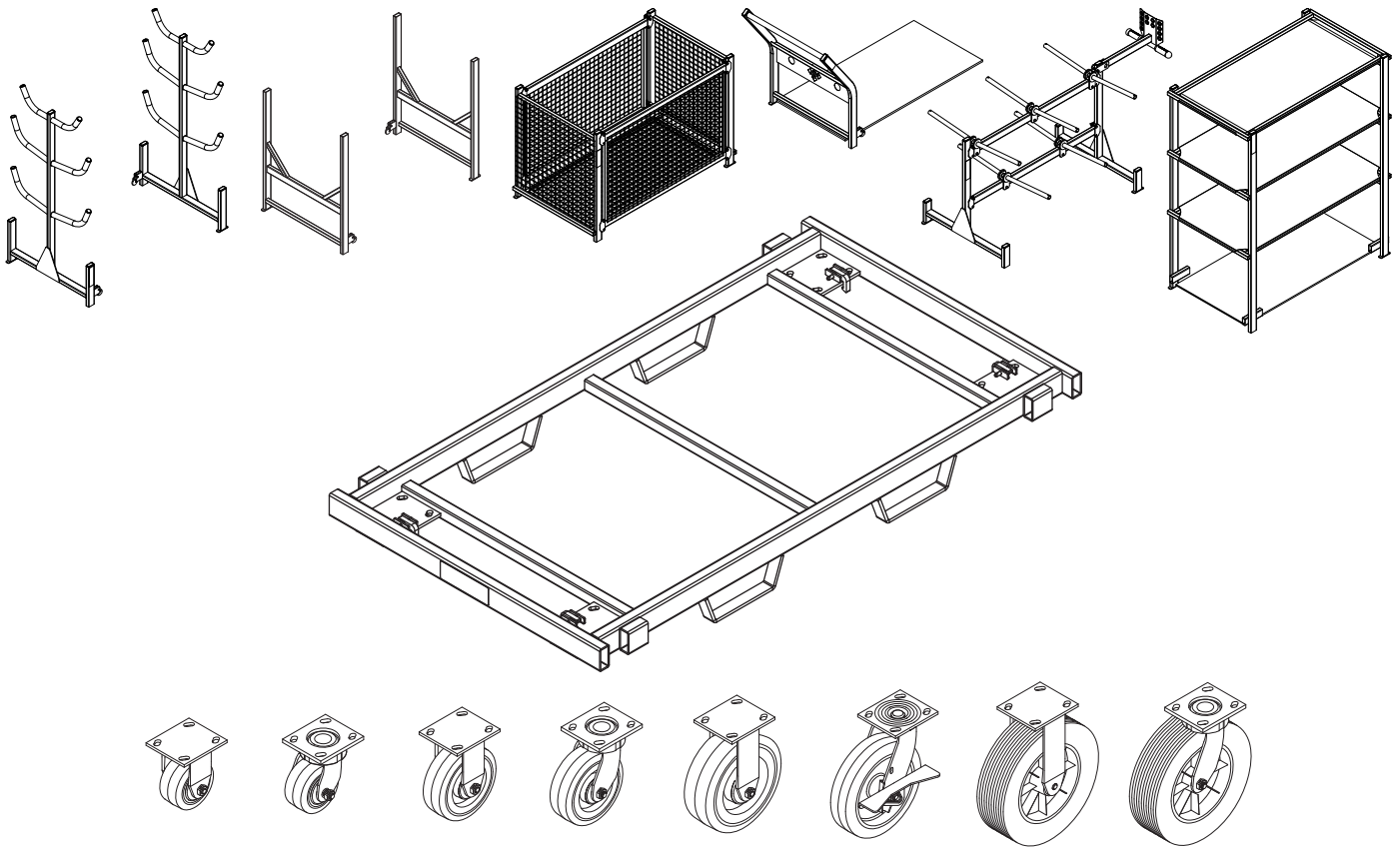


# INSTRUCTION MANUAL



## GMX Modular Materials Cart System



**Read and understand** all of the instructions and safety information in this manual before operating or servicing this tool.

Register this product at [www.greenlee.com](http://www.greenlee.com)

## Table of Contents

|  |     |
|--|-----|
| Description .....                        | 2   |
| Safety .....                             | 2   |
| Purpose of this Manual .....             | 2   |
| Important Safety Information .....       | 3   |
| GMX Multi-Purpose Material Cart .....    | 4-5 |
| Accessories .....                        | 4   |
| Quick Connect Casters.....               | 5   |
| Quick Connect Accessories .....          | 5   |
| GMX-661 Push Handle with Base Shelf..... | 6   |
| GMX-668 Conduit and Pipe Rack.....       | 7   |
| GMX-670 Master Bundler .....             | 8   |
| GMX-910 Wire Dispenser.....              | 9   |
| GMX-662 Mesh Basket .....                | 10  |
| GMX-663 Shelving Unit, 4-tier .....      | 11  |

## Description

The Greenlee GMX Modular Materials Cart System is intended for transporting and dispensing job site materials.

Patent pending.

## Safety

Safety is essential in the use of Greenlee tools and equipment. This instruction manual and any markings on the tool provide information for avoiding hazards and unsafe practices related to the use of this tool. Observe all of the safety information provided.

## Purpose of this Manual

This manual is intended to familiarize all personnel with the safe operation for the GMX Modular Material Cart System:

|         |                             |
|---------|-----------------------------|
| GMX     | Multi-Purpose Material Cart |
| GMX-661 | Push Handle with Base Shelf |
| GMX-668 | Conduit and Pipe Rack       |
| GMX-670 | Master Bundler              |
| GMX-910 | Wire Dispenser              |
| GMX-662 | Mesh Basket                 |
| GMX-663 | Shelving Unit, 4-tier       |

Keep this manual available to all personnel.

Replacement manuals are available upon request at no charge at [www.greenlee.com](http://www.greenlee.com).

All specifications are nominal and may change as design improvements occur. Greenlee Textron Inc. shall not be liable for damages resulting from misapplication or misuse of its products.

# **KEEP THIS MANUAL**

## IMPORTANT SAFETY INFORMATION



### SAFETY ALERT SYMBOL

This symbol is used to call your attention to hazards or unsafe practices which could result in an injury or property damage. The signal word, defined below, indicates the severity of the hazard. The message after the signal word provides information for preventing or avoiding the hazard.

#### ⚠ **DANGER**

Immediate hazards which, if not avoided, **WILL** result in severe injury or death.

#### ⚠ **WARNING**

Hazards which, if not avoided, **COULD** result in severe injury or death.

#### ⚠ **CAUTION**

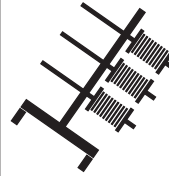
Hazards or unsafe practices which, if not avoided, **MAY** result in injury or property damage.



#### ⚠ **CAUTION**

Keep hands and feet clear when loading and unloading material.

Failure to observe this precaution may result in injury or property damage.



#### ⚠ **CAUTION**

Load and unload sides equally. Load bottom first, and unload top first. An unbalanced or top-heavy load could cause unit to tip over, causing injury and property damage.

Failure to observe this precaution may result in injury or property damage.

#### ⚠ **CAUTION**

- Make sure bystanders are clear of the work area when loading and unloading material. Nearby personnel can be injured if unit falls.
- Do not use the wire dispenser for wire with damaged spools. Damaged spools may not turn freely and may pull over the dispenser.
- Use only on a hard, flat, level surface.
- Do not exceed the rated capacity of this tool.

Failure to observe these precautions may result in injury or property damage.

#### ⚠ **CAUTION**

Use this tool for manufacturer's use only. Use other than that which is described in this manual may result in injury or property damage.



#### ⚠ **CAUTION**

Read and understand all of the instructions and safety information in this manual before operating or servicing this tool.

Failure to observe this precaution may result in injury or property damage.

*Note: Keep all decals clean and legible, and replace when necessary.*

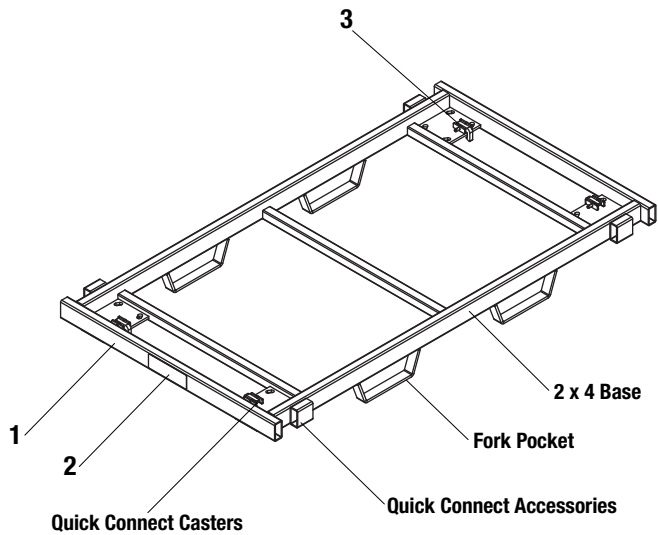
## GMX Multi-Purpose Material Cart

### Specifications

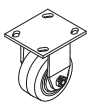







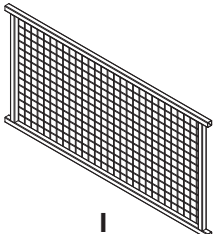
Height .....4.6" (116.8 mm)  
 Width .....28.1" (713.7 mm)  
 Length .....50.1" (1272.5 mm)  
 Weight .....43.5 lb (19.7 kg)

### Parts List

| Key | Part No. | Description  | Qty |
|-----|----------|--|-----|
| 1   |          | Frame.....   | 1   |
| 2   | 52065552 | Decal, identification .....                            | 1   |
| 3   | 52066854 | Caster hook kit (includes 1 each of hook, pin, spring) |     |

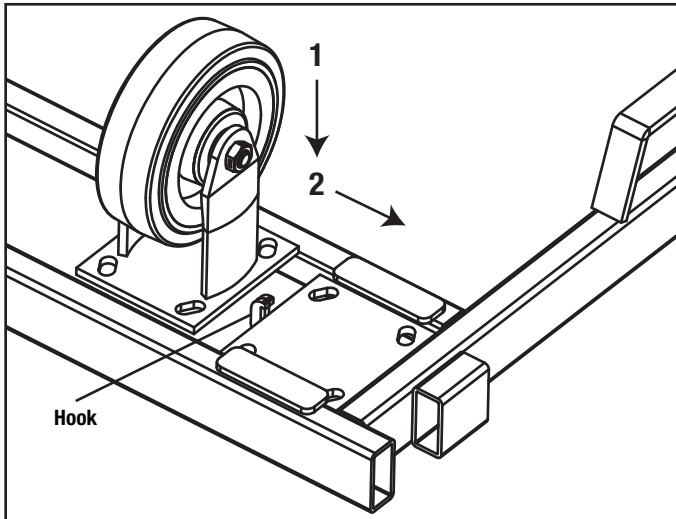
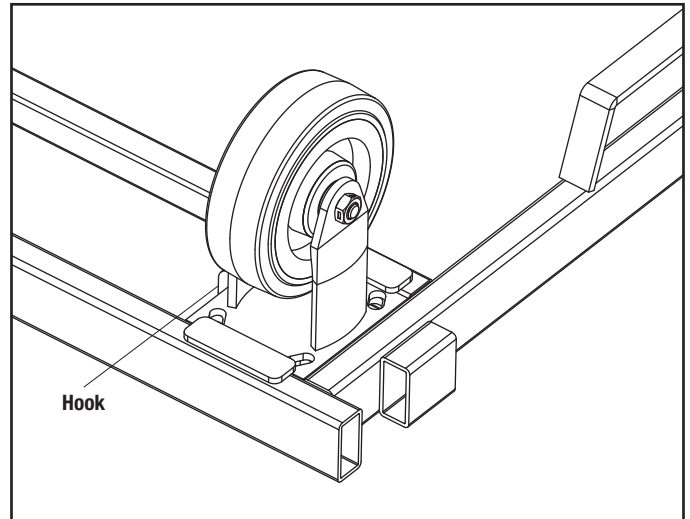


### Accessories

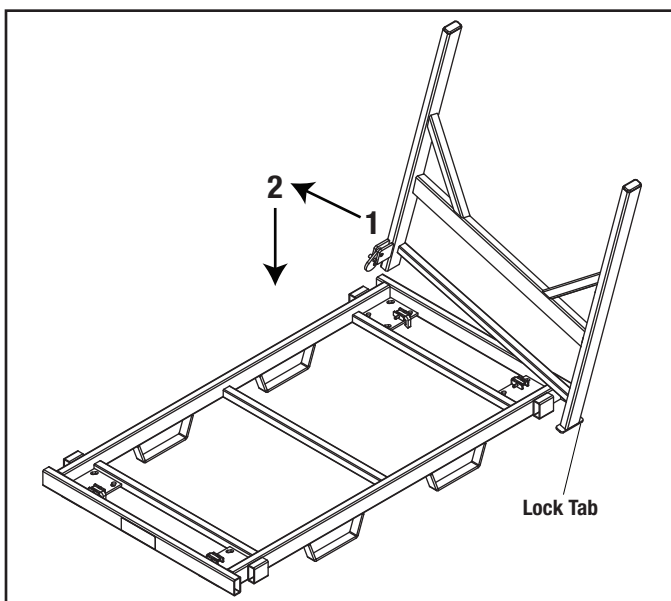
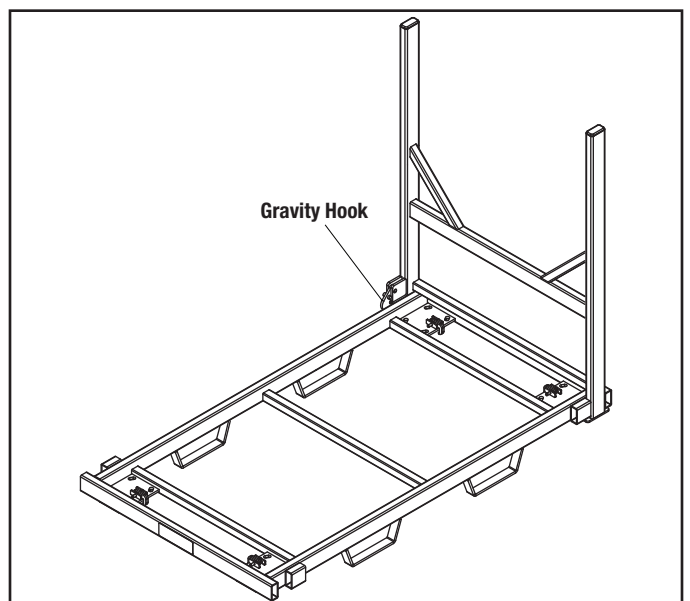
| Illustration  | Catalog No. | Part No. | Description                               | Diameter | Tread | Dynamic Load (ea.) | Total Height |
|---|-------------|----------|---|----------|-------|--------------------|--------------|
|    | CR4         | 52066700 | 4" rigid caster                           | 4"       | 2"    | 800                | 5.63"        |
|    | CS4         | 52066701 | 4" swivel caster                          | 4"       | 2"    | 800                | 5.63"        |
|    | CR6         | 52066702 | 6" rigid caster                           | 6"       | 2"    | 900                | 7.50"        |
|    | CS6         | 52066703 | 6" swivel caster                          | 6"       | 2"    | 900                | 7.50"        |
|    | CR8         | 52066926 | 8" performance rigid caster               | 8"       | 2"    | 900                | 9.50"        |
|    | CS8         | 52066297 | 8" performance swivel caster (with brake) | 8"       | 2"    | 900                | 9.50"        |
|    | CRT10       | 52066294 | 10" all-terrain rigid caster              | 10"      | 3"    | 650                | 12"          |
|   | CST10       | 52066295 | 10" all-terrain swivel caster             | 10"      | 3"    | 650                | 12"          |
| —   | CSBK        | 52066704 | Caster brake kit (6" caster only)         | 6"       | —     |                    |              |
|  | GMX-A3      | 52066695 | Base shelf                                | —        |       |                    |              |
| —   | 10378       | 50103784 | Spray paint, 13 oz Greenlee green         | —        |       |                    |              |

**GMX Multi-Purpose Material Cart (cont'd)****Quick Connect Casters**

1. Position caster as shown in Figure 1.
2. Slide into caster groove until retained by hooks.

**Figure 1****Figure 2****Quick Connect Accessories**

1. Position accessory as shown in Figure 3.
2. Slide accessory until lock tab is under frame base, and then drop into pocket until gravity hook is engaged.

**Figure 3****Figure 4**

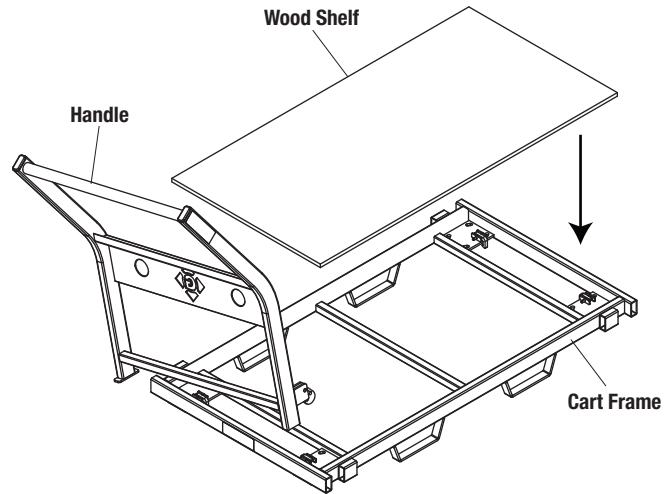
## GMX-661 Push Handle with Base Shelf

### Assembly Instructions

1. Place 2 x 4 wood base shelf inside cart frame.
2. Refer to "Quick Connect Accessories" for handle installation.

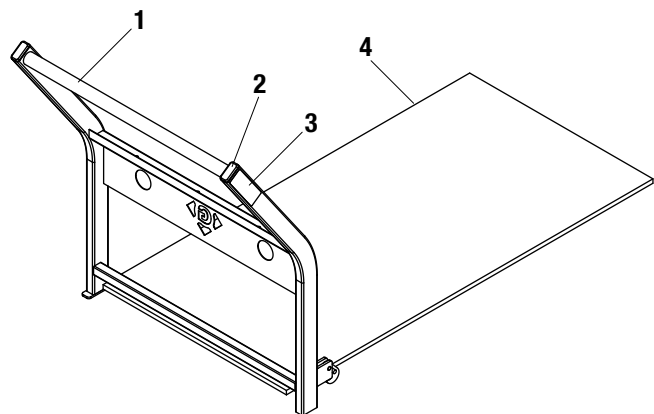
### Specifications

|                   |                   |
|-------------------|-------------------|
| Height .....      | 32.7" (830.5 mm)  |
| Width .....       | 28.3" (718.8 mm)  |
| Length .....      | 57.9" (1470.6 mm) |
| Total Weight..... | 33.9 lb (15.3 kg) |



### Parts List

| Key | Part No. | Description                 | Qty |
|-----|----------|-----------------------------|-----|
| 1   |          | Frame.....                  | 1   |
| 2   | 52065801 | Cap plug, 1 x 2 rect. ....  | 2   |
| 3   | 52065600 | Decal, identification ..... | 1   |
| 4   |          | Wood top, 2' x 4' .....     | 1   |



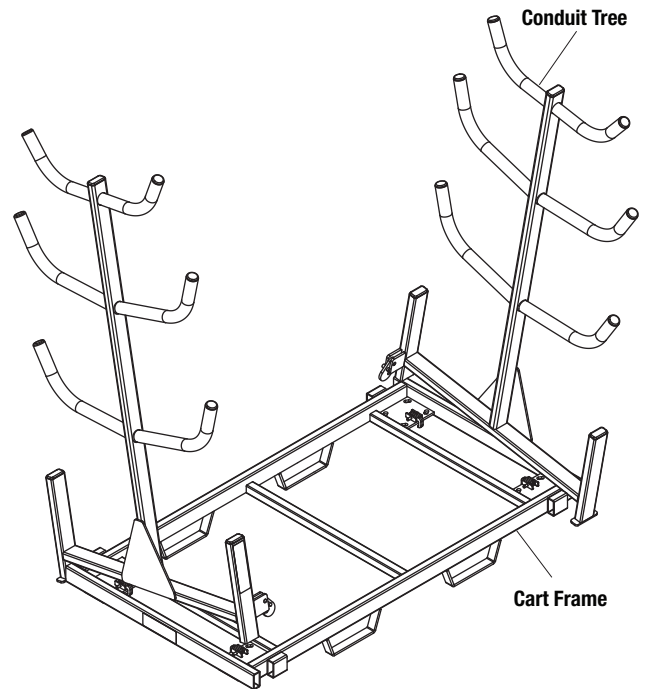
## GMX-668 Conduit and Pipe Rack

### Assembly Instructions

Refer to “Quick Connect Accessories” for conduit tree installation.

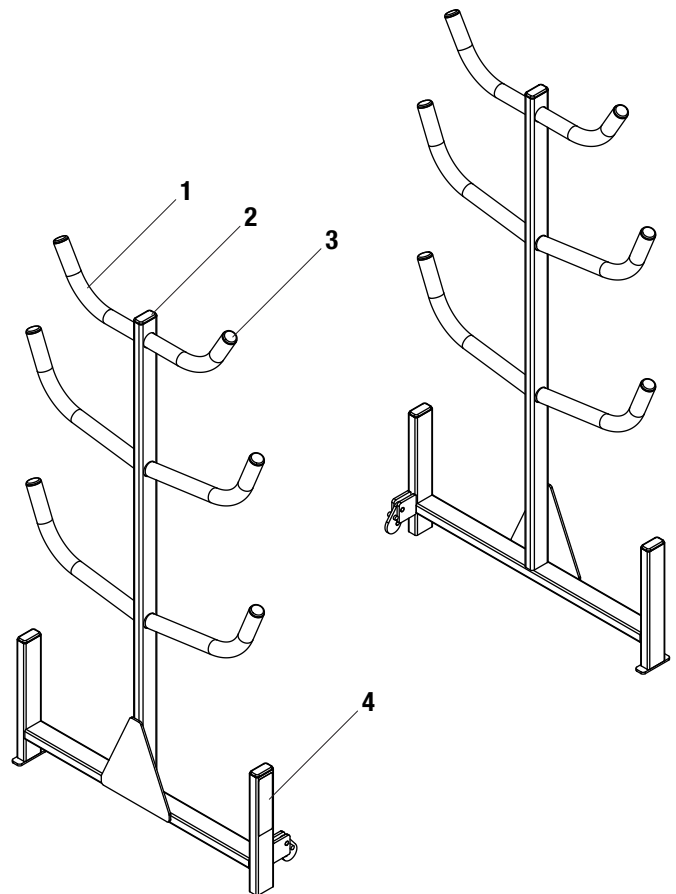
### Specifications

|                            |                    |
|----------------------------|--------------------|
| Height .....               | 55.0" (1397.0 mm)  |
| Width .....                | 28.3" (718.8 mm)   |
| Length .....               | 48.5" (1231.9 mm)  |
| Total Weight.....          | 68.5 lb (31.1 kg)  |
| Capacity                   |                    |
| Per Bin .....              | 400 lb (181.4 kg)  |
| Total (when balanced)..... | 1600 lb (725.7 kg) |



### Parts List

| Key | Part No. | Description                 | Qty |
|-----|----------|-----------------------------|-----|
| 1   |          | Frame.....                  | 2   |
| 2   | 52065801 | Cap plug, 1 x 2 rect. ....  | 6   |
| 3   | 50105582 | Plug, 1-1/8 round.....      | 12  |
| 4   | 52065580 | Decal, identification ..... | 2   |



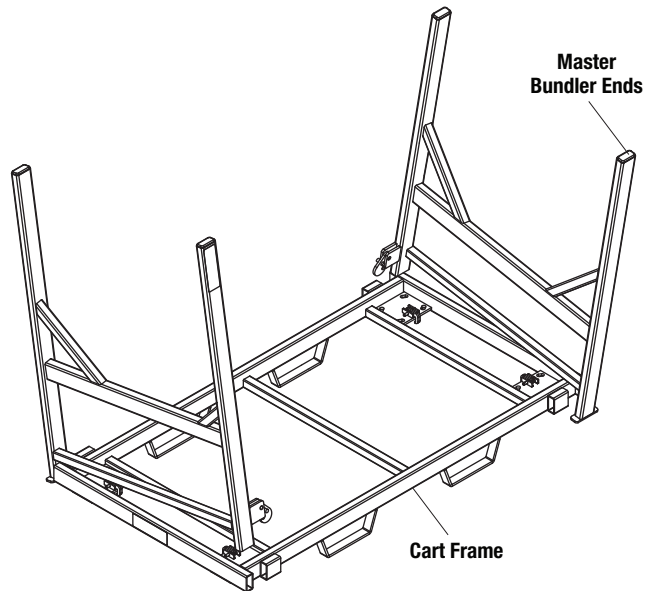
## GMX-670 Master Bundler

### Assembly Instructions

Refer to “Quick Connect Accessories” for master bundler end installation.

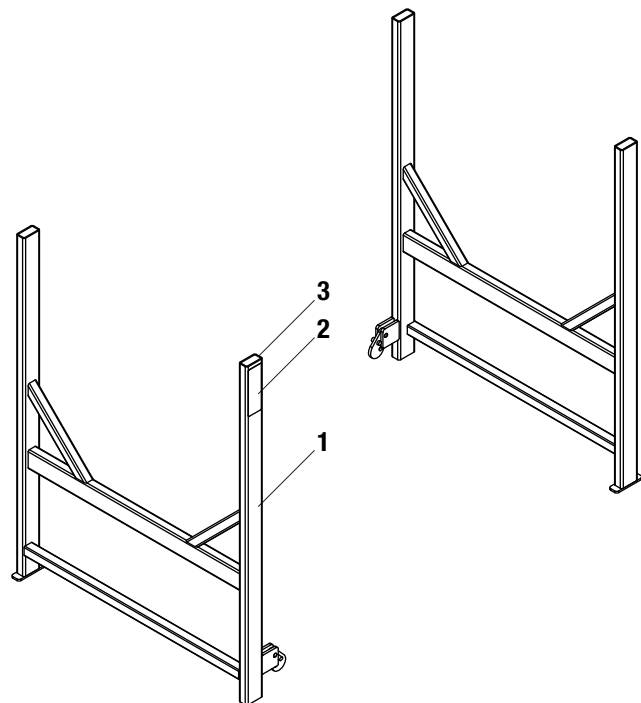
### Specifications

|                   |                     |
|-------------------|---------------------|
| Height .....      | 36.4" (924.5 mm)    |
| Width .....       | 28.3" (718.8 mm)    |
| Length .....      | 48.1" (1221.7 mm)   |
| Total Weight..... | 44 lb (20 kg)       |
| Capacity .....    | 2500 lb (1133.9 kg) |



### Parts List

| Key | Part No. | Description                 | Qty |
|-----|----------|-----------------------------|-----|
| 1   |          | Frame.....                  | 2   |
| 2   | 52065601 | Decal, identification ..... | 2   |
| 3   | 52065801 | Cap plug, 1 x 2 rect. ....  | 4   |

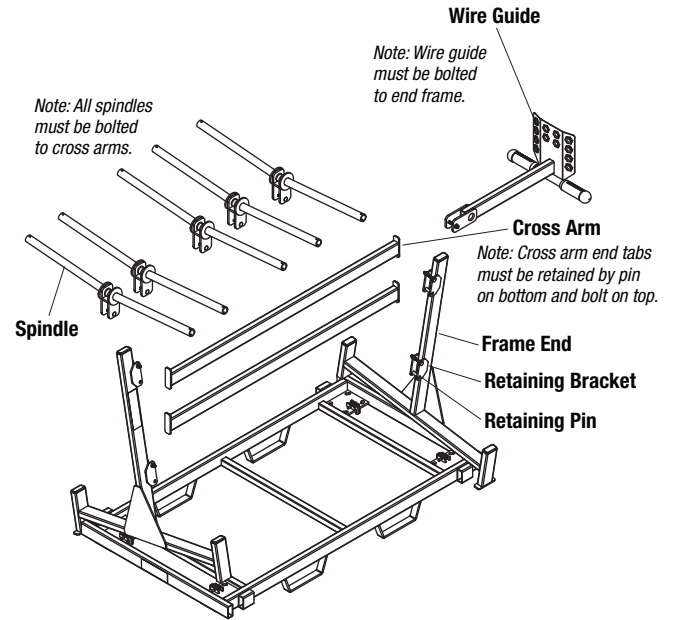




## GMX-910 Wire Dispenser

### Assembly Instructions

1. Refer to "Quick Connect Accessories" for frame end installation.
2. Cross arms must be placed inside retaining brackets on top of retaining pins.  
*Note: Fasteners supplied with frame ends may be used to obtain permanent assembly.*
3. Position spindles on cross arms and secure with fasteners.  
*Note: Position spindles as shown in assembled view to achieve standard capacity rating. Add, remove, or reposition spindles on cross arms to achieve desired capacity.*
4. Position wire guide over any 1 x 2 structure and secure with fasteners provided.
5. Optional extended spindles may be positioned on top cross arm to increase capacity to 14 spools of  $\varnothing 18"$  x 14.2" wide. Use fasteners to secure.

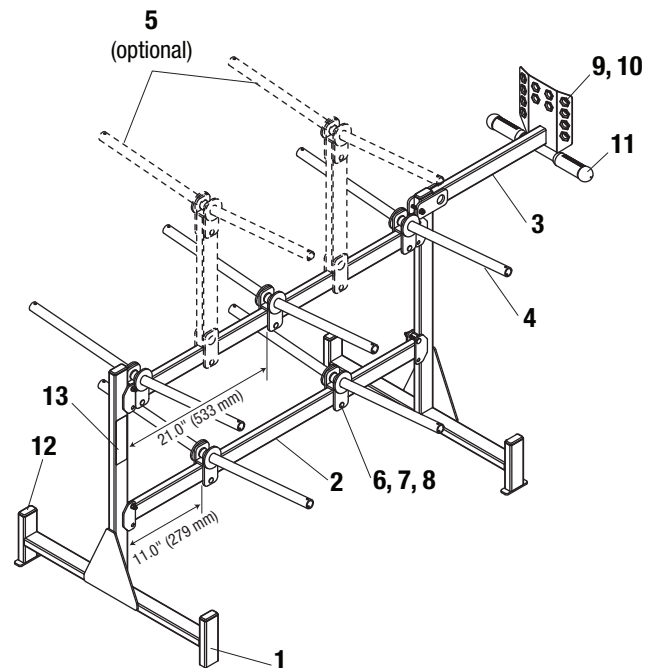


### Specifications

|  |   |
|--|---|
| Height .....                               | 37.0" (939.8 mm)  |
| Width .....                                | 31.5" (800.1 mm)  |
| Length .....                               | 63.5" (1612.9 mm)   |
| Weight .....                               | 84.5 lb (38.3 kg)   |
| Capacity (without optional spindles) ..... | 10 $\varnothing 18"$ (457 mm) spools, 14.2" (360.2 mm) wide, 125 lb (56.7 kg) per spindle |

### Parts List

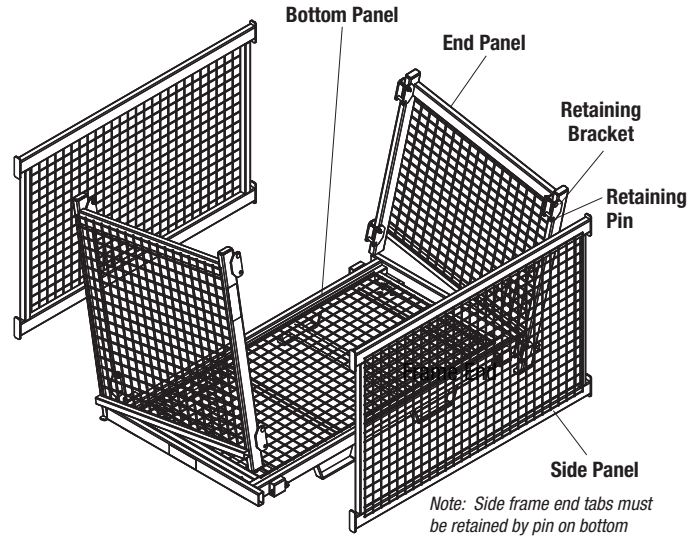
| Key | Part No. | Description                      | Qty |
|-----|----------|----------------------------------|-----|
| 1   |          | Frame end.....                   | 2   |
| 2   |          | Cross arm .....                  | 2   |
| 3   |          | Wire guide.....                  | 1   |
| 4   | 52066292 | Spindle.....                     | 5   |
| 5   | 52066293 | Spindle, extended.....           | 0   |
| 6   |          | Bolt, 1/4-20 x 2 carriage .....  | 9   |
| 7   |          | Washer, 1/4 flat .....           | 9   |
| 8   |          | Nut, 1/4-20 Nylock.....          | 9   |
| 9   |          | Nipple, 1/2" conduit.....        | 14  |
| 10  |          | Locknut, 1/2" conduit steel..... | 14  |
| 11  | 50223003 | Grip .....                       | 2   |
| 12  | 52065801 | Cap plug, 1 x 2 rect. ....       | 6   |
| 13  | 52065612 | Decal, identification .....      | 2   |



## GMX-662 Mesh Basket

### Assembly Instructions

1. Place bottom panel inside cart frame with wire mesh on top side.
2. Refer to "Quick Connect Accessories" for end panel installation.
3. Position side panels within end panel retaining brackets on top of retaining pins in four places for each side. Secure with fasteners provided.

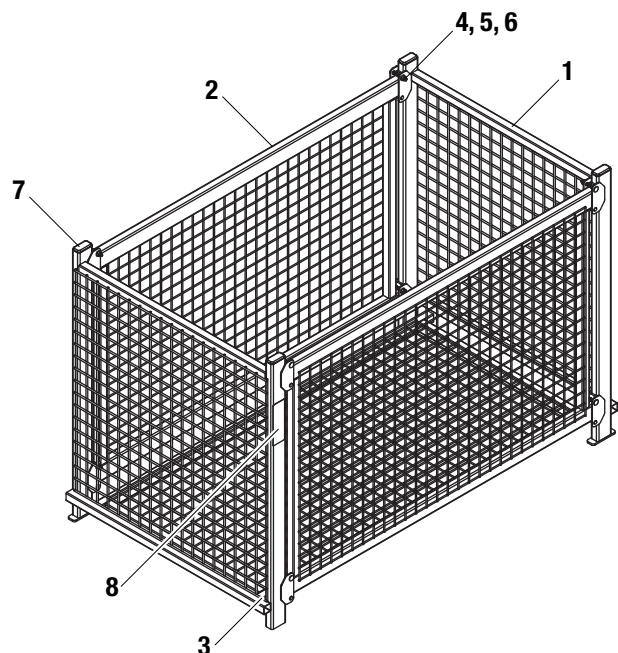


### Specifications

|                                     |                    |
|-------------------------------------|--------------------|
| Height .....                        | 32.8" (833.1 mm)   |
| Width .....                         | 28.3" (718.8 mm)   |
| Length .....                        | 50.1" (1272.5 mm)  |
| Weight                              |                    |
| End.....                            | 27 lb (12.3 kg)    |
| Side.....                           | 24.3 lb (11.0 kg)  |
| Bottom.....                         | 13.2 lb (5.9 kg)   |
| Total .....                         | 115.8 lb (52.5 kg) |
| Capacity (evenly distributed) ..... | 1600 lb (725.7 kg) |

### Parts List

| Key | Part No. | Description                     | Qty |
|-----|----------|---------------------------------|-----|
| 1   |          | Frame end.....                  | 2   |
| 2   |          | Frame side.....                 | 2   |
| 3   | 52066695 | Frame bottom .....              | 1   |
| 4   |          | Bolt, 1/4-20 x 2 carriage ..... | 8   |
| 5   |          | Washer, 1/4 flat .....          | 8   |
| 6   |          | Nut, 1/4-20 Nylock.....         | 8   |
| 7   | 52065801 | Cap plug, 1 x 2 rect. ....      | 4   |
| 8   | 52065760 | Decal, identification .....     | 2   |



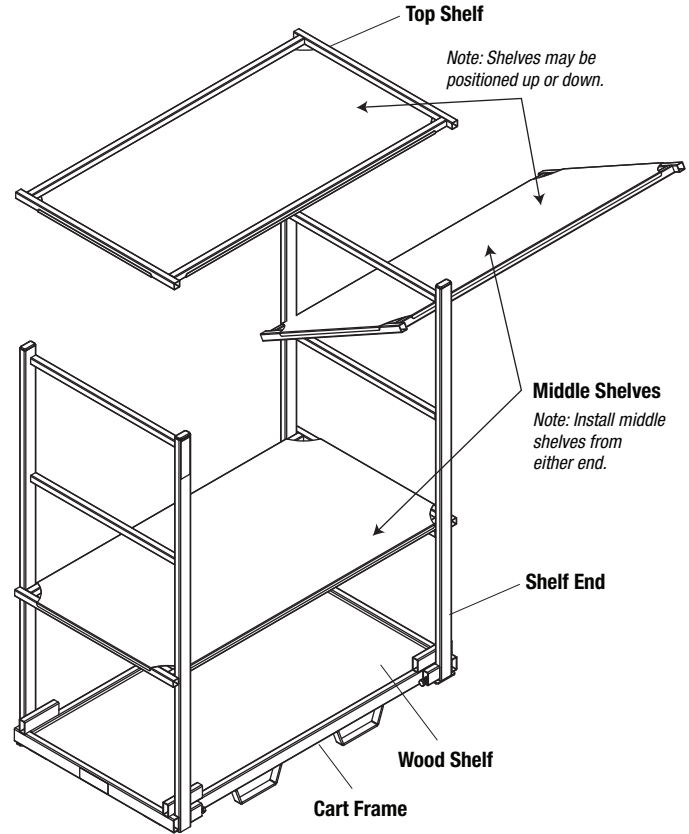
## GMX-663 Shelving Unit, 4-tier

### Assembly Instructions

1. Place 2 x 4 wood base shelf inside cart frame.
2. Refer to "Quick Connect Accessories" for shelf end installation.
3. Set top shelf on frame ends. Position as shown in assembled view.
4. Assemble middle shelves from ends as shown.

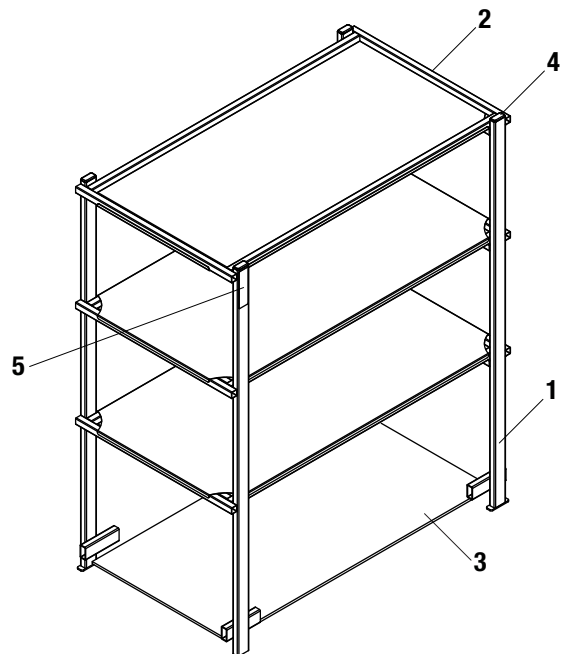
### Specifications

|                                  |                    |
|----------------------------------|--------------------|
| Height .....                     | 60.2" (1529.0 mm)  |
| Width .....                      | 28.3" (718.8 mm)   |
| Length .....                     | 50.1" (1272.5 mm)  |
| Weight                           |                    |
| Shelf .....                      | 28.0 lb (12.7 kg)  |
| Wood Shelf .....                 | 10.0 lb (4.5 kg)   |
| End .....                        | 29.0 lb (13.1 kg)  |
| Total .....                      | 152 lb (69 kg)     |
| Capacity                         |                    |
| Per Shelf .....                  | 400 lb (181.4 kg)  |
| Total (evenly distributed) ..... | 1600 lb (725.7 kg) |



### Parts List

| Key | Part No. | Description                 | Qty |
|-----|----------|-----------------------------|-----|
| 1   |          | Frame.....                  | 2   |
| 2   |          | Shelf.....                  | 3   |
| 3   |          | Wood shelf, 2 x 4 .....     | 1   |
| 4   | 52065801 | Cap plug, 1 x 2 rect. ....  | 4   |
| 5   | 52065780 | Decal, identification ..... | 2   |





4455 Boeing Drive • Rockford, IL 61109-2988 • USA • 815-397-7070  
An ISO 9001 Company • Greenlee Textron Inc. is a subsidiary of Textron Inc.

[www.greenlee.com](http://www.greenlee.com)

**USA** Tel: 800-435-0786  
Fax: 800-451-2632

**Canada** Tel: 800-435-0786  
Fax: 800-524-2853

**International** Tel: +1-815-397-7070  
Fax: +1-815-397-9247