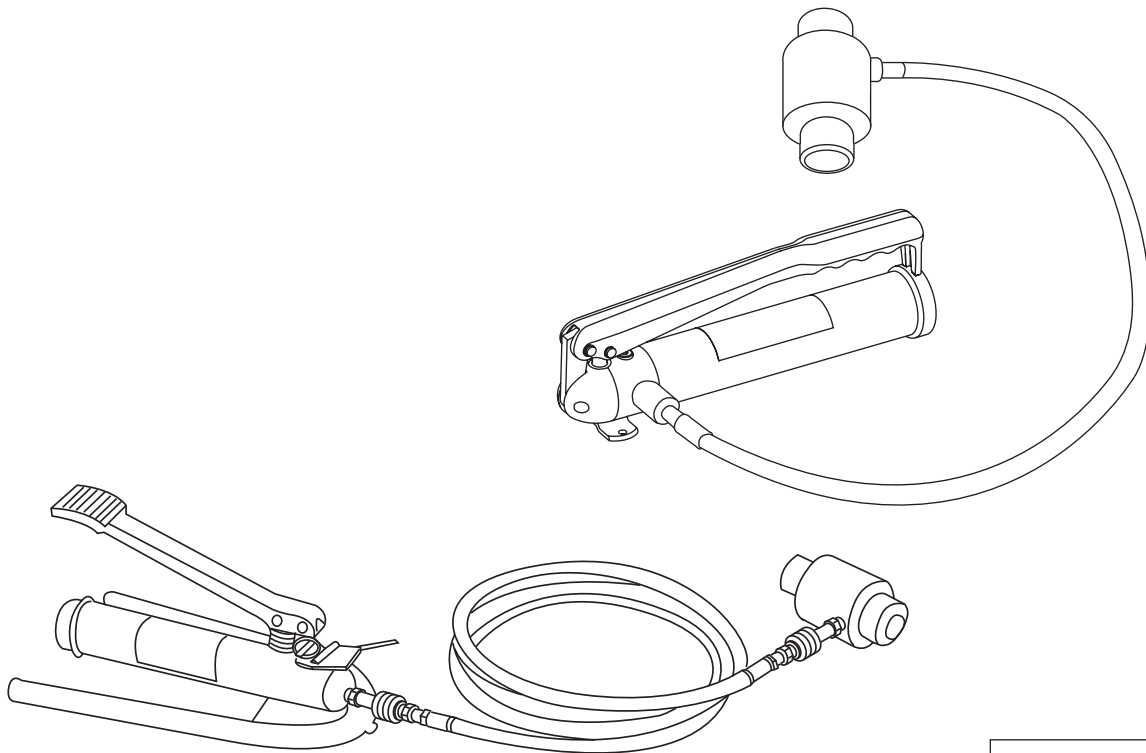


# INSTRUCTION MANUAL



Español..... 13  
Français..... 25

## Hydraulic Knockout Drivers 746A, 767, 1725



**Read and understand** all of the instructions and safety information in this manual before operating or servicing this tool.

Register this product at [www.greenlee.com](http://www.greenlee.com)

## Table of Contents

Description .....	2
Safety .....	2
Purpose of this Manual .....	2
Important Safety Information .....	3-5
Identification and Illustration .....	6
Specifications .....	7
Setup and Operation .....	8-9
Capacity .....	10
Maintenance .....	11
Troubleshooting .....	12

## Description

Greenlee Hydraulic Knockout Drivers are self-contained knockout drivers intended to be used with Greenlee punches, dies, and drawstuds for punching holes through mild steel, stainless steel, brass, copper, aluminum, fiberglass, and plastics.

These tools are designed to be used with the following Greenlee accessories:

- Standard punches, dies, and drawstuds
- Slug-Buster® punches, dies, and drawstuds
- Slug-Splitter® punches, dies, and drawstuds
- SPEED PUNCH® Knockout System
- Electronic connector panel punches
- Special shape punches, dies, and drawstuds (“D”, Double “D”, Key, Square, Rectangular, and Oiltight with notches)

Standard, Slug-Buster, Electronic Connector Panel Punches, and special shape punches can punch holes through mild steel, brass, copper, aluminum, fiberglass, and plastics, with limited stainless steel capability.

Slug-Splitter punches, dies, and drawstuds are capable of punching through all of these materials and are optimized for stainless steel. Refer to the “Capacity” section in this manual for detailed information on maximum driver rating.

Do not exceed the rated capacity of the punch or driver.

## Safety

Safety is essential in the use and maintenance of Greenlee tools and equipment. This instruction manual and any markings on the tool provide information for avoiding hazards and unsafe practices related to the use of this tool. Observe all of the safety information provided.

## Purpose of this Manual

This manual is intended to familiarize all personnel with the safe operation and maintenance procedures for the following Greenlee tools:

746A Hydraulic Ram

767 Hand Pump

1725 Foot Pump

Keep this manual available to all personnel.

Replacement manuals are available upon request at no charge at [www.greenlee.com](http://www.greenlee.com).

### **Do not discard this product or throw away!**

For recycling information, go to [www.greenlee.com](http://www.greenlee.com).



All specifications are nominal and may change as design improvements occur. Greenlee Tools, Inc. shall not be liable for damages resulting from misapplication or misuse of its products. Kwik-Stepper, Slug-Buster, Slug-Splitter, and SPEED PUNCH are registered trademarks of Greenlee Tools, Inc.

# **KEEP THIS MANUAL**

## IMPORTANT SAFETY INFORMATION



### SAFETY ALERT SYMBOL

This symbol is used to call your attention to hazards or unsafe practices which could result in an injury or property damage. The signal word, defined below, indicates the severity of the hazard. The message after the signal word provides information for preventing or avoiding the hazard.

#### **⚠ DANGER**

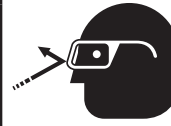
Immediate hazards which, if not avoided, **WILL** result in severe injury or death.

#### **⚠ WARNING**

Hazards which, if not avoided, **COULD** result in severe injury or death.

#### **⚠ CAUTION**

Hazards or unsafe practices which, if not avoided, **MAY** result in injury or property damage.



#### **⚠ WARNING**

Wear eye protection when operating or servicing this tool.

Failure to wear eye protection could result in serious eye injury from flying debris or hydraulic oil.



#### **⚠ WARNING**

Skin injection hazard:

Do not use hands to check for oil leaks. Oil under pressure easily punctures skin. If injured, seek medical attention immediately to remove oil.

Failure to observe this warning could result in serious injury, gangrene, or death.



#### **⚠ WARNING**

Do not use solvents or flammable liquids to clean the tool body. Solvents or flammable liquids could ignite and cause serious injury or property damage.



#### **⚠ WARNING**

Read and understand all of the instructions and safety information in this manual before operating or servicing this tool.

Failure to observe this warning could result in severe injury or death.



#### **⚠ WARNING**

Keep hands away from the tool head when punching.

Failure to observe these warnings could result in severe injury or death.



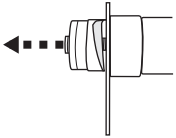
#### **⚠ WARNING**

Electric shock hazard:

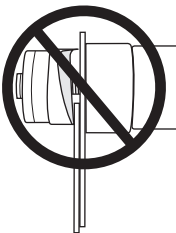
This tool is not insulated. When using this unit on or near energized electrical lines, use proper personal protective equipment.

Failure to observe this warning could result in severe injury or death.

## IMPORTANT SAFETY INFORMATION (cont'd)

	<b>⚠ WARNING</b>
	<p>A component failure could throw broken parts.</p> <ul style="list-style-type: none"> <li>Do not allow anyone to stand in front of the punch or behind the hydraulic ram.</li> <li>Close access doors or covers on any equipment that is in line with the punch or ram.</li> </ul> <p>Failure to observe this warning could result in severe injury or death.</p>

<b>⚠ WARNING</b>
<ul style="list-style-type: none"> <li>Inspect tool for wear or damage. Replace any worn, damaged, or missing components with Greenlee replacement parts. A damaged or improperly assembled tool can break and strike nearby personnel with sufficient force to cause severe injury or death.</li> <li>Inspect the punch, die, and drawstud for damage. Replace any worn or damaged items with Greenlee replacement parts. Replace any punches that have dull cutting surfaces.</li> </ul>

	<b>⚠ WARNING</b>
	<p>Do not attempt to punch a hole through two or more layers of material. This will bend or break the drawstud, and could throw parts with great force.</p> <p>Failure to observe this warning could result in severe injury or death.</p>

<b>⚠ WARNING</b>
<p>Do not exceed the rated capacity of this tool. Exceeding the rated capacity could cause a component failure, which could throw broken parts with great force.</p> <p>Failure to observe this warning could result in severe injury or death.</p>

<b>⚠ WARNING</b>
<p>Set up the tool properly. An improper setup could cause a component to fail and strike nearby personnel with great force.</p> <ul style="list-style-type: none"> <li>Use only Greenlee punches, dies, and drawstuds. Other manufacturers' components might not withstand the forces generated by this punch driver.</li> <li>Manual Punch Setup: The punch must be threaded completely onto the drawstud. All of the punch threads must be engaged by the drawstud threads. Incomplete assembly could cause a component failure.</li> <li>Hydraulic Punch Setup: The drawstud must be threaded completely into the driver head. The punch must be threaded completely onto the drawstud. All of the punch threads must be engaged by the drawstud threads. Incomplete assembly could cause a component failure.</li> <li>SPEED PUNCH Setup: The drawstud must be threaded completely into the driver head. The SPEED LOCK must fully engage and completely close on the drawstud. Incomplete assembly could cause a component failure.</li> </ul> <p>Failure to observe these warnings could result in severe injury or death.</p>

<b>⚠ WARNING</b>
<p>Use this tool for the manufacturer's intended purpose only. Use other than that which is described in this manual can result in injury or property damage.</p>

<b>⚠ WARNING</b>
<p>Ensure the punch cycle is stopped after a hole is made. Failure to do so could cause a part collision which could throw broken parts.</p> <p>Failure to observe this warning could result in severe injury or death.</p>

<b>⚠ CAUTION</b>
<p>The punch driver will fall free when the punch is complete.</p> <ul style="list-style-type: none"> <li>Support the weight of the tool when punching.</li> <li>Do not allow anyone to stand beneath an overhead punch.</li> </ul> <p>Failure to observe this warning may result in injury or property damage.</p>

***IMPORTANT SAFETY INFORMATION (cont'd)*****⚠ CAUTION**

Do not secure this tool in a vise. This tool is designed for hand-held operation.

Use this tool for the manufacturer's intended purpose only.

Failure to observe these precautions may result in injury or property damage.

**⚠ CAUTION**

Do not operate the pump lever after the ram stops.

Continuing to operate the pump lever after the ram stops will damage the system.

**⚠ CAUTION**

Do not perform any service or maintenance other than as described in this manual. Injury or damage to the tool may result.

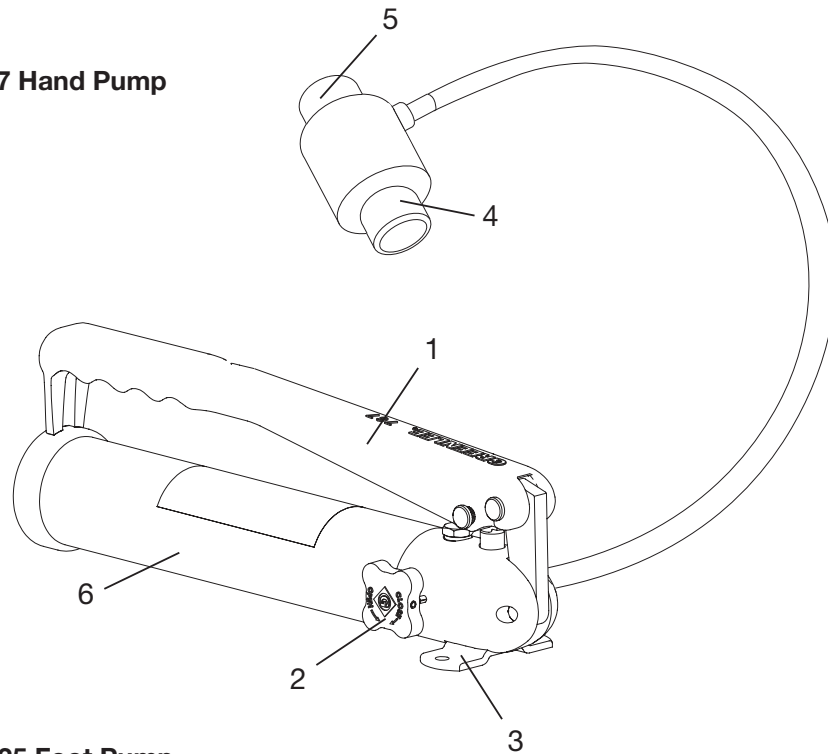
Failure to observe this precaution may result in injury and property damage.

*Note: Keep all decals clean and legible, and replace when necessary.*

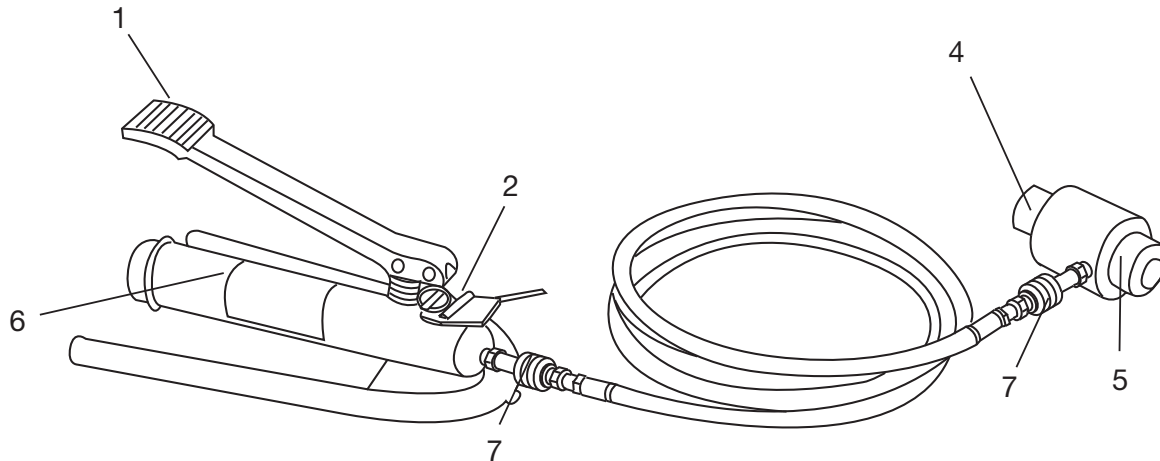
**Identification and Illustration**

- 1. Pump Handle
- 2. Pressure Valve
- 3. Mounting Feet
- 4. Punching Head
- 5. Ram Shoulder
- 6. Pump
- 7. Couplers

**746A Hydraulic Ram with 767 Hand Pump**



**746A Hydraulic Ram with 1725 Foot Pump**



## Specifications

Recommended Operating Temperature Range ..... 5 °F to 122 °F (–15 °C to 50°C)

### 746A Cylinder/Ram

Length ..... 6.05"  
Width ..... 2.91"  
Weight ..... 5.3 lb  
Force ..... 11 tons

### 767 Pump

Length ..... 12.5"  
Width ..... 2.75"  
Depth ..... 4.2"  
Weight ..... 5 lb  
Hydraulic Oil ..... 90504410  
Oil Capacity ..... 0.08 gal  
Hose Length ..... 3'

### 1725 Pump

Length ..... 14"  
Width ..... 7.50"  
Depth ..... 5.50"  
Weight ..... 10 lb  
Hydraulic Oil ..... 90504410  
Oil Capacity ..... 0.085 gal  
Hose Length ..... 10'

## Setup and Operation

### Punching

1. Remove the dust caps from the couplers; attach the hose to the ram and to the pump. Thread the couplers together. (Not applicable to 746A/767)  
*Note: Hand-tighten the couplers completely until all threads are engaged. Do not use tools.*
2. Refer to the hydraulic punch instruction manual for proper punch, die, and drawstud selection and setup.
3. Select the appropriate punch, die, and drawstud for the desired hole size.
4. Determine and mark the exact location for the hole. Use a Greenlee Kwik-Stepper® step bit to drill a pilot hole slightly larger than the drawstud being used.
5. Actuate the release valve to fully extend the ram by turning pressure valve on 767 counterclockwise or depressing pressure valve on 1725.
6. Thread the appropriate drawstud completely into the ram in the punching head.
7. Slide the corresponding die onto the drawstud. The open end of the die should face away from the punching head.
8. Insert the drawstud through the pilot hole in the material being punched.
9. Thread the punch (cutting edge facing the material) onto the drawstud until the punch assembly is tight on the material surface.  
*Note:*
  - *All of the punch threads must be engaged with the drawstud threads. If any punch threads are not engaged, reassemble the setup.*
  - *For SPEED PUNCH®, slide the punch onto the drawstud (cutting edge facing the material) and secure the SPEED LOCK to the drawstud.*
10. Close pressure valve on 767 pump by turning clockwise until snug. (Not applicable to 1725)
11. Pump until punch completes hole. Support the weight of the ram when operating the pump. This will prevent the ram from falling when the punch is complete.  
*Note: if the ram stops before the hole is complete, stop pumping. Check that the setup is correct and that you have not exceeded the tool's capacity. Refer to the setup instructions. Make sure die, material, and punch are snug.*
12. Release the pressure at the pump by turning pressure valve on 767 counterclockwise or depressing pressure valve on 1725 until piston in ram is at its forwardmost position.
13. Unscrew the punch from the drawstud. Slide the die off the drawstud and remove any slugs from the die.  
*Note: For SPEED PUNCH®, remove the SPEED LOCK. Slide the punch off the drawstud; then slide the die off the drawstud and remove any slugs from the die.*



## Setup and Operation (cont'd)

### **⚠ WARNING**

- Inspect tool for wear or damage. Replace any worn, damaged, or missing components with Greenlee replacement parts. A damaged or improperly assembled tool can break and strike nearby personnel with sufficient force to cause severe injury or death.
- Inspect the punch, die, and drawstud for wear or damage. Replace any worn or damaged items with Greenlee replacement parts. Replace any punches that have dull cutting surfaces.



### **⚠ WARNING**

Pinch points:  
Keep hands away from the tool head when punching.  
Failure to observe these warnings could result in severe injury or death.

### **⚠ WARNING**



Electric shock hazard:  
This tool is not insulated. When using this unit on or near energized electrical lines, use proper personal protective equipment.  
Failure to observe this warning could result in severe injury or death.

### **⚠ CAUTION**

Do not secure this tool in a vise. This tool is designed for hand-held operation.  
Use this tool for the manufacturer's intended purpose only.  
Failure to observe these precautions may result in injury or property damage.

### **⚠ WARNING**



Wear eye protection when operating or servicing this tool.  
Failure to wear eye protection could result in serious eye injury from flying debris or hydraulic oil.

## Capacity

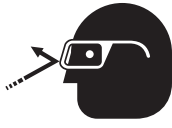
### Hydraulic Punch Drivers


<b>STAINLESS STEEL</b>	
<b>Slug-Splitter and Large Diameter Punches</b>	
<b>Pipe and Conduit Size</b>	<b>Maximum Driver Rating</b>
1/2" to 4"	10 ga (0.134", 3mm)


<b>MILD STEEL</b>	
<b>Standard and Slug-Buster Punches</b>	
<b>Pipe and Conduit Size</b>	<b>Maximum Driver Rating</b>
1/2" to 4"	10 ga (0.134", 3mm)


*Note: Please consult the hydraulic punch instruction manual for punch, drawstud, and die selection.*

## Maintenance

	<b>⚠ WARNING</b>
	<p>Wear eye protection when operating or servicing this tool.</p> <p>Failure to wear eye protection could result in serious eye injury from flying debris or hydraulic oil.</p>

	<b>⚠ WARNING</b>
	<p>Skin injection hazard:</p> <p>Do not use hands to check for oil leaks. Oil under pressure easily punctures skin. If injured, seek medical attention immediately to remove oil.</p> <p>Failure to observe this warning could result in serious injury, gangrene, or death.</p>

	<b>⚠ WARNING</b>
	<p>Do not use solvents or flammable liquids to clean the tool body. Solvents or flammable liquids could ignite and cause serious injury or property damage.</p>

	<b>⚠ WARNING</b>
	<p>Keep hands away from the tool head when punching.</p> <p>Failure to observe these warnings could result in severe injury or death.</p>

<b>IMPORTANT</b>
<p>Relief valve adjustments must be done by an authorized service center.</p>

### Daily

#### Before use:

1. Inspect the tool for wear or damage, such as cracks, gouges, or chips.
2. Inspect the tool for damage or leaks.
3. Fully return the ram. If damage is detected, contact Greenlee customer service at 800-435-0786 for warranty service or repair.

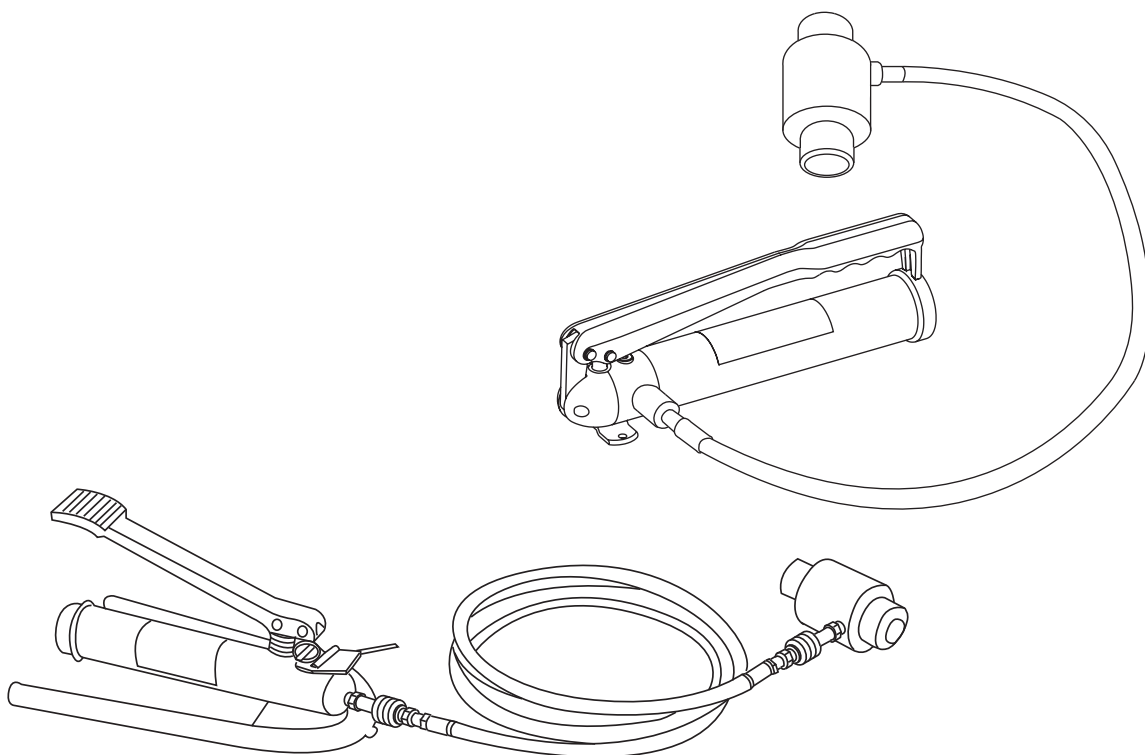
#### After use:

1. Use a damp cloth and mild detergent to clean the housing. Allow the housing to dry.
2. Fully return the ram. Place the tool in the carrying case and store in a cool, dry place.

## Troubleshooting

<b>Problem</b>	<b>Possible Cause</b>	<b>Probable Remedy</b>
Tool is inoperative.	Dirt, contaminants, etc. in ram area of tool.	Clean tool.
	Tool components worn or damaged.	Return tool to a Greenlee Authorized Service Center.
Tool loses oil.	Damaged internal seal.	Return tool to a Greenlee Authorized Service Center.
Failure to retract.	Pressure valve in closed position	Open pressure valve
Stuck drawstud	Over-tightened	Bottom tool out (do not apply pressure after ram travel stops) and use hex key to back draw stud out

# MANUAL DE INSTRUCCIONES



## Llaves de sacabocados hidráulicas 746A, 767, 1725



**Lea y comprenda** todas las instrucciones y la información de seguridad de este manual antes de usar esta herramienta o realizar su mantenimiento.

Registre este producto en [www.greenlee.com](http://www.greenlee.com)

## Índice

Descripción .....	14
Acerca de la seguridad.....	14
Objetivo de este manual.....	14
Información importante de seguridad .....	15-17
Identificación e ilustración.....	18
Especificaciones .....	19
Ajuste y operación.....	20-21
Capacidad .....	22
Mantenimiento.....	23
Resolución de problemas.....	24

## Descripción

Las llaves de sacabocados hidráulicas de Greenlee son sacabocados portátiles y autónomos para usar con los punzones, troqueles y machos sin recubrir de Greenlee para la perforación de orificios en acero dulce, acero inoxidable, latón, cobre, aluminio, fibra de vidrio y plástico.

Estas herramientas están diseñadas para usar con las siguientes herramientas de Greenlee:

- Punzones, troqueles y machos sin recubrir estándares
- Punzones, troqueles y machos sin recubrir Slug-Buster®
- Punzones, troqueles y machos sin recubrir Slug-Splitter®
- Sistema de sacabocados SPEED PUNCH®
- Punzones para panel de conectores electrónicos
- Punzones, troqueles y machos sin recubrir con formas especiales (“D”, Doble “D”, Llave, Cuadrada, Rectangular y estanca al aceite con ranuras)

Los punzones de panel de conectores electrónicos estándares Slug-Buster y los punzones con formas especiales pueden realizar orificios a través de acero dulce, latón, cobre, aluminio, fibra de vidrio y plástico, con una capacidad limitada para el acero inoxidable.

Los punzones, los troqueles y los machos sin recubrir Slug-Splitter pueden perforar todos estos materiales y están optimizados para el acero inoxidable. Consulte la sección “Capacidad” en este manual para obtener información detallada sobre la clasificación máxima de la herramienta.

No supere la capacidad nominal del punzón o la llave.

## Acerca de la seguridad

La seguridad es esencial en el uso y el mantenimiento de herramientas y equipos de Greenlee. En este manual y en todas las inscripciones en la herramienta se ofrece la información necesaria para evitar riesgos y prácticas inseguras relacionadas con el uso de esta herramienta. Siga toda la información de seguridad proporcionada.

## Objetivo de este manual

El objetivo de este manual es que todo el personal conozca los procedimientos seguros de funcionamiento y mantenimiento de la siguiente herramienta de Greenlee:

746A Pistón hidráulico

767 Bomba de mano

1725 Punzón Hidráulico

Tenga este manual a disposición de todo el personal.

Los manuales de reemplazo están disponibles a solicitud sin cargo alguno en [www.greenlee.com](http://www.greenlee.com).



**¡No descarte este producto ni lo deseche!**

Para obtener información sobre reciclamiento, visite [www.greenlee.com](http://www.greenlee.com).

Todas las especificaciones son nominales y pueden cambiar a medida que se produzcan mejoras en el diseño. Greenlee Tools, Inc. no se responsabilizará de daños debidos al mal manejo o al uso indebido de sus productos.

Kwik-Stepper, Slug-Buster, Slug-Splitter y SPEED PUNCH son marcas comerciales registradas de Greenlee Tools, Inc.

## CONSERVE ESTE MANUAL

## INFORMACIÓN IMPORTANTE DE SEGURIDAD



### SÍMBOLO DE ALERTA DE SEGURIDAD

Este símbolo se utiliza para dirigir su atención a los peligros o prácticas inseguras que pueden resultar en heridas o daños a la propiedad. La palabra del aviso, que se define a continuación, indica la gravedad del peligro. El mensaje después de la palabra del aviso proporciona información para prevenir o evitar el peligro.

#### ⚠ PELIGRO

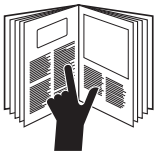
Peligros inmediatos que, de no evitarse, **PROVOCARÁN** heridas graves o la muerte.

#### ⚠ ADVERTENCIA

Peligros que, de no evitarse, **PUEDEN** provocar heridas graves o la muerte.

#### ⚠ ATENCIÓN

Peligros o prácticas inseguras que, de no evitarse, **QUIZÁ** provoquen heridas o daños a la propiedad.



#### ⚠ ADVERTENCIA

Lea y comprenda todas las instrucciones y la información de seguridad de este manual antes de usar esta herramienta o realizar su mantenimiento.

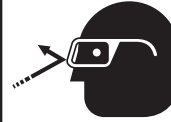
Si no se respeta esta advertencia, podrían producirse heridas graves o la muerte.



#### ⚠ ADVERTENCIA

Peligro de choque eléctrico:  
Esta herramienta no está aislada. Cuando utilice esta unidad sobre líneas eléctricas energizadas o cerca de estas, utilice equipo de protección personal adecuado.

Si no se respeta esta advertencia, podrían producirse heridas graves o la muerte.



#### ⚠ ADVERTENCIA

Utilice protección para los ojos cuando opere o repare esta herramienta.

Si no se utilizan gafas de protección, podrían producirse lesiones graves en los ojos por los escombros voladores o por el aceite hidráulico.



#### ⚠ ADVERTENCIA

Riesgo de inyección en la piel:

No utilice las manos para revisar si existen fugas de aceite. El aceite bajo presión perfora fácilmente la piel. Si se lesiona, busque atención médica inmediatamente para retirar el aceite.

Si no se respeta esta advertencia, podrían producirse lesiones graves, gangrena o la muerte.



#### ⚠ ADVERTENCIA

No utilice solventes ni líquidos inflamables para limpiar la carcasa de la herramienta. Los solventes y los líquidos inflamables se podrían prender fuego y producir lesiones graves o daños a la propiedad.



#### ⚠ ADVERTENCIA

Mantenga las manos alejadas del cabezal de la herramienta cuando realice el punzonado.

Si no se respetan estas advertencias podrían producirse heridas graves o la muerte.

**INFORMACIÓN IMPORTANTE DE SEGURIDAD (continuación)**


**⚠ ADVERTENCIA**

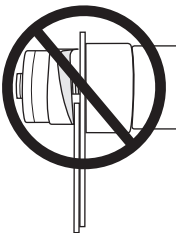
La falla de un componente podría lanzar piezas rotas.

- No permita que nadie se coloque en frente de la punzonadora ni detrás del pistón hidráulico.
- Cierre las puertas y las cubiertas de acceso de todos los equipos que estén en línea con la punzonadora o con el pistón.

Si no se respeta esta advertencia, podrían producirse heridas graves o la muerte.

**⚠ ADVERTENCIA**

- Inspeccione si la herramienta está gastada o dañada. Reemplace los componentes gastados, dañados o faltantes con repuestos de Greenlee. Una herramienta dañada o armada de manera incorrecta puede quebrarse y golpear al personal que se encuentra cerca con la fuerza suficiente para producir lesiones graves o la muerte.
- Inspeccione si el punzón, el troquel y el macho sin recubrir están dañados. Reemplace los elementos gastados o dañados con repuestos de Greenlee. Reemplace todos los punzones que tengan superficies de corte desafiladas.



**⚠ ADVERTENCIA**

No intente punzonar un orificio a través de dos o más capas de material. Esta acción doblará o quebrará el macho sin recubrir, y podría expulsar piezas con gran fuerza.

Si no se respeta esta advertencia, podrían producirse heridas graves o la muerte.

**⚠ ADVERTENCIA**

No exceda la capacidad nominal de esta herramienta. Si se supera la capacidad nominal, podría provocarse la falla de un componente, que podría lanzar piezas rotas con gran fuerza.

Si no se respeta esta advertencia, podrían producirse heridas graves o la muerte.

**⚠ ADVERTENCIA**

Ajuste la herramienta de manera adecuada. Un ajuste inadecuado podría hacer que un componente falle y golpee al personal que se encuentra cerca con gran fuerza.

- Use solo punzones, troqueles y machos sin recubrir de Greenlee. Los componentes de otros fabricantes pueden no resistir las fuerzas generadas por este sacabocados.
- Instalación manual del punzón: el punzón debe estar enroscado completamente en el macho sin recubrir. Las roscas del macho sin recubrir deben estar en contacto con todas las roscas del punzón. El armado incompleto puede producir la falla de un componente.
- Instalación hidráulica del punzón: el macho sin recubrir debe estar enroscado completamente en el cabezal del punzón. el punzón debe estar enroscado completamente en el macho sin recubrir. Las roscas del macho sin recubrir deben estar en contacto con todas las roscas del punzón. El armado incompleto puede producir la falla de un componente.
- Configuración de SPEED PUNCH: el macho sin recubrir debe estar enroscado completamente en el cabezal del punzón. El SPEED LOCK debe estar completamente acoplado y cerrado en el macho sin recubrir. El armado incompleto puede producir la falla de un componente.

Si no se respetan estas advertencias podrían producirse heridas graves o la muerte.

**⚠ ADVERTENCIA**

Utilice esta herramienta solo para los fines previstos por el fabricante. La utilización en otros trabajos distintos a los descritos en este manual puede provocar lesiones o daños a la propiedad.

**⚠ ADVERTENCIA**

Asegúrese de que el ciclo del punzón se haya detenido después de hacer un orificio. Si esto no se hace podría causar la colisión de una pieza que podría lanzar piezas rotas.

Si no se respeta esta advertencia, podrían producirse heridas graves o la muerte.

**⚠ ADVERTENCIA**

El punzón se separará y caerá cuando se termine de perforar el orificio.

- Apoye el peso de la herramienta cuando esté perforando.
- No permita que nadie se pare debajo de un sacabocados suspendido.

De no observarse esta advertencia pueden sufrirse graves lesiones o daños materiales.



**INFORMACIÓN IMPORTANTE DE SEGURIDAD (continuación)****⚠ ATENCIÓN**

No sujete esta herramienta en un tornillo de banco. Está diseñada para una operación portátil.

Utilice esta herramienta solo para los fines previstos por el fabricante.

Si no toma estas precauciones puede sufrir lesiones o dañar la propiedad.

**⚠ ATENCIÓN**

No haga funcionar la palanca de la bomba luego de que el pistón se detenga.

Continuar accionando la palanca de la bomba luego de que el pistón se detenga podría ocasionar daños al sistema.

**⚠ ATENCIÓN**

No realice ningún servicio ni trabajo de mantenimiento distinto a los que se describen en este manual. Se puede dañar o arruinar la herramienta.

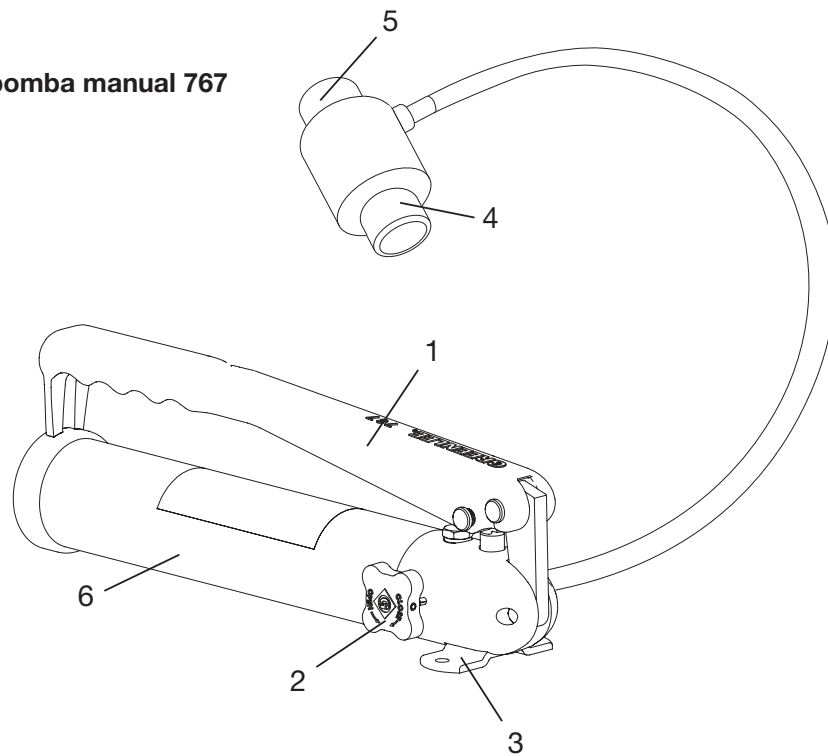
Si no se respeta esta precaución, pueden producirse lesiones y daños a la propiedad.

*Nota: Mantenga todas las calcomanías limpias y legibles y reemplácelas cuando sea necesario.*

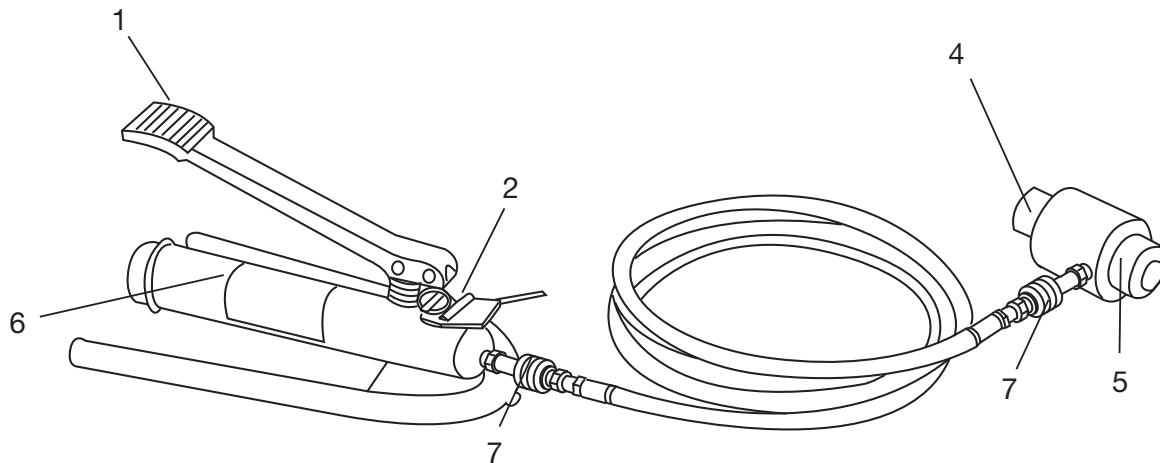
**Identificación e ilustración**

- 1. Asa de bomba
- 2. Válvula de presión
- 3. Pie de montaje
- 4. Cabezal de punzonado
- 5. Hombro del pistón
- 6. Bomba
- 7. Acopladores

**Pistón hidráulico 746A con bomba manual 767**



**Pistón hidráulico 746A con bomba de pie 1725**



**Especificaciones**

Rango de temperatura recomendada de funcionamiento ..... de 5 °F a 122 °F  
(de -15 °C a 50 °C)

Pistón/cilindro 746A

Largo .....6,05 in  
Ancho .....2,91 in  
Peso ..... 5,3 lb  
Fuerza .....11 toneladas

Bomba 767

Largo .....12,5 in  
Ancho .....2,75 in  
Profundidad.....4,2 in  
Peso ..... 5 lb  
Aceite hidráulico..... 90504410  
Capacidad de aceite .....0,08 gal  
Longitud de la manguera .....3 in

Bomba 1725

Largo .....14 in  
Ancho .....7,50 in  
Profundidad.....5,50 in  
Peso ..... 10 lb  
Aceite hidráulico..... 90504410  
Capacidad de aceite .....0,085 gal  
Longitud de la manguera .....10 in

## Ajuste y operación

### Punzonado

1. Remueva las tapas guardapolvo de los acopladores; conecte la manguera al pistón y a la bomba. Enrosque los acopladores. (No se aplica a 746A/767)  
*Nota: Apriete a mano completamente los acopladores hasta que todas las roscas penetren bien. No use herramientas.*
2. Consulte el manual de instrucciones del punzón hidráulico para la selección e instalación correcta del punzón, troquel y macho sin recubrir.
3. Seleccione el punzón, el troquel y el macho sin recubrir para el tamaño de orificio que desea.
4. Determine y marque la ubicación exacta del orificio. Use una broca escalonada Kwik-Stepper® de Greenlee para taladrar un orificio piloto que sea apenas más grande que el macho sin recubrir que se utilizará.
5. Gire la válvula de presión en 767 hacia la izquierda o ajuste la válvula de presión en 1725 para accionar la válvula de seguridad y así extender por completo el pistón.
6. Enrosque completamente el macho sin recubrir adecuado en el pistón en el cabezal de punzonado.
7. Deslice el troquel correspondiente en el macho sin recubrir. El extremo abierto del troquel debe apuntar hacia afuera del cabezal de punzonado.
8. Inserte el macho sin recubrir a través del orificio piloto en el material que se va a perforar.
9. Enrosque el punzón (con el borde cortante hacia el material) en el macho sin recubrir hasta que el conjunto del punzón este ajustado en la superficie del material.  
*Nota:*
  - *Las roscas del macho sin recubrir deben estar en contacto con todas las roscas del punzón. Si alguna de las roscas del punzón no está acoplada, vuelva a armar el conjunto.*
  - *Para SPEED PUNCH®, deslice el punzón por el macho sin recubrir (con el borde cortante hacia el material) y asegure el SPEED LOCK al macho sin recubrir.*
10. Gire hacia la derecha la válvula de presión en la bomba 767 hasta ajustarla para cerrarla. (No se aplica a 1725)
11. Bombee hasta que el punzón complete el orificio. Apoye el peso del pistón cuando haga funcionar la

bomba. Esto evitará que el pistón se caiga cuando se termine de perforar el orificio.

*Nota: si el pistón se detiene y aún no se ha terminado de perforar el orificio, deje de bombear. Verifique que el equipo sea el adecuado y que no haya excedido la capacidad de la herramienta. Consulte las instrucciones de instalación. Asegúrese de que el troquel, el material y el punzón estén ajustados.*

12. Para liberar la presión en la bomba, gire la válvula de presión en 767 hacia la izquierda o ajuste la válvula de presión en 1725 hasta que el pistón se encuentre bien hacia atrás.
13. Desenrosque el punzón del macho sin recubrir. Deslice y quite el troquel del macho sin recubrir y quite los tapones del troquel.  
*Nota: para SPEED PUNCH®, quite el SPEED LOCK. Deslice y quite el punzón del macho sin recubrir; luego, deslice el troquel y quítelo del macho sin recubrir y quite los tapones del troquel.*

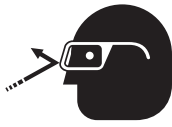
## Ajuste y operación (continuación)

<b>⚠ ADVERTENCIA</b>
<ul style="list-style-type: none"> <li>• Inspeccione si la herramienta está gastada o dañada. Reemplace los componentes gastados, dañados o faltantes con repuestos de Greenlee. Una herramienta dañada o armada de manera incorrecta puede quebrarse y golpear al personal que se encuentra cerca con la fuerza suficiente para producir lesiones graves o la muerte.</li> <li>• Inspeccione si el punzón, el troquel y el macho sin recubrir están gastados o dañados. Reemplace los elementos gastados o dañados con repuestos de Greenlee. Reemplace todos los punzones que tengan superficies de corte desafiladas.</li> </ul>

	<b>⚠ ADVERTENCIA</b>
	<p>Puntos de enganche:</p> <p>Mantenga las manos alejadas del cabezal de la herramienta cuando realice el punzonado.</p> <p>Si no se respetan estas advertencias podrían producirse heridas graves o la muerte.</p>

	<b>⚠ ADVERTENCIA</b>
	<p>Peligro de choque eléctrico:</p> <p>Esta herramienta no está aislada. Cuando utilice esta unidad sobre líneas eléctricas energizadas o cerca de estas, utilice equipo de protección personal adecuado.</p> <p>Si no se respeta esta advertencia, podrían producirse heridas graves o la muerte.</p>

<b>⚠ ATENCIÓN</b>
<p>No sujete esta herramienta en un tornillo de banco. Está diseñada para una operación portátil.</p> <p>Utilice esta herramienta solo para los fines previstos por el fabricante.</p> <p>Si no toma estas precauciones puede sufrir lesiones o dañar la propiedad.</p>

	<b>⚠ ADVERTENCIA</b>
	<p>Utilice protección para los ojos cuando opere o repare esta herramienta.</p> <p>Si no se utilizan gafas de protección, podrían producirse lesiones graves en los ojos por los escombros voladores o por el aceite hidráulico.</p>

## Capacidad

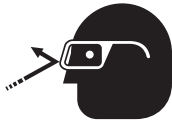
### Punzones con sacabocados hidráulicos

<b>ACERO INOXIDABLE</b>	
<b>Slug-Splitter y punzones de gran diámetro</b>	
<b>Medida del conducto y del tubo</b>	<b>Clasificación máxima de la herramienta</b>
1/2 in a 4 in	10 ga (0,134 in, 3 mm)

<b>ACERO DULCE</b>	
<b>Punzones Slug-Buster y estándar</b>	
<b>Medida del conducto y del tubo</b>	<b>Clasificación máxima de la herramienta</b>
1/2 in a 4 in	10 ga (0,134 in, 3 mm)


*Nota: Consulte el manual de instrucciones del punzón hidráulico para la selección del punzón, troquel y macho sin recubrir.*

## Mantenimiento

	<b>⚠ ADVERTENCIA</b>
	<p>Utilice protección para los ojos cuando opere o repare esta herramienta.</p> <p>Si no se utilizan gafas de protección, podrían producirse lesiones graves en los ojos por los escombros voladores o por el aceite hidráulico.</p>

	<b>⚠ ADVERTENCIA</b>
	<p>Riesgo de inyección en la piel:</p> <p>No utilice las manos para revisar si existen fugas de aceite. El aceite bajo presión perfora fácilmente la piel. Si se lesiona, busque atención médica inmediatamente para retirar el aceite.</p> <p>Si no se respeta esta advertencia, podrían producirse lesiones graves, gangrena o la muerte.</p>

	<b>⚠ ADVERTENCIA</b>
	<p>No utilice solventes ni líquidos inflamables para limpiar la carcasa de la herramienta. Los solventes y los líquidos inflamables se podrían prender fuego y producir lesiones graves o daños a la propiedad.</p>

	<b>⚠ ADVERTENCIA</b>
	<p>Mantenga las manos alejadas del cabezal de la herramienta cuando realice el punzonado.</p> <p>Si no se respetan estas advertencias podrían producirse heridas graves o la muerte.</p>

<h2>IMPORTANTE</h2>
<p>El centro de servicio autorizado debe realizar los ajustes de la válvula de alivio.</p>

### A diario

*Antes de usar:*

1. Verifique si la herramienta está gastada o dañada, por ejemplo, si presenta hendiduras, fisuras o esquivirlas.
2. Verifique si la herramienta está dañada o presenta fugas.
3. Regrese totalmente el pistón. Si se detectan daños, comuníquese con el servicio al cliente de Greenlee al 800-435-0786 por reparaciones o servicio de garantía.

*Después de usar:*

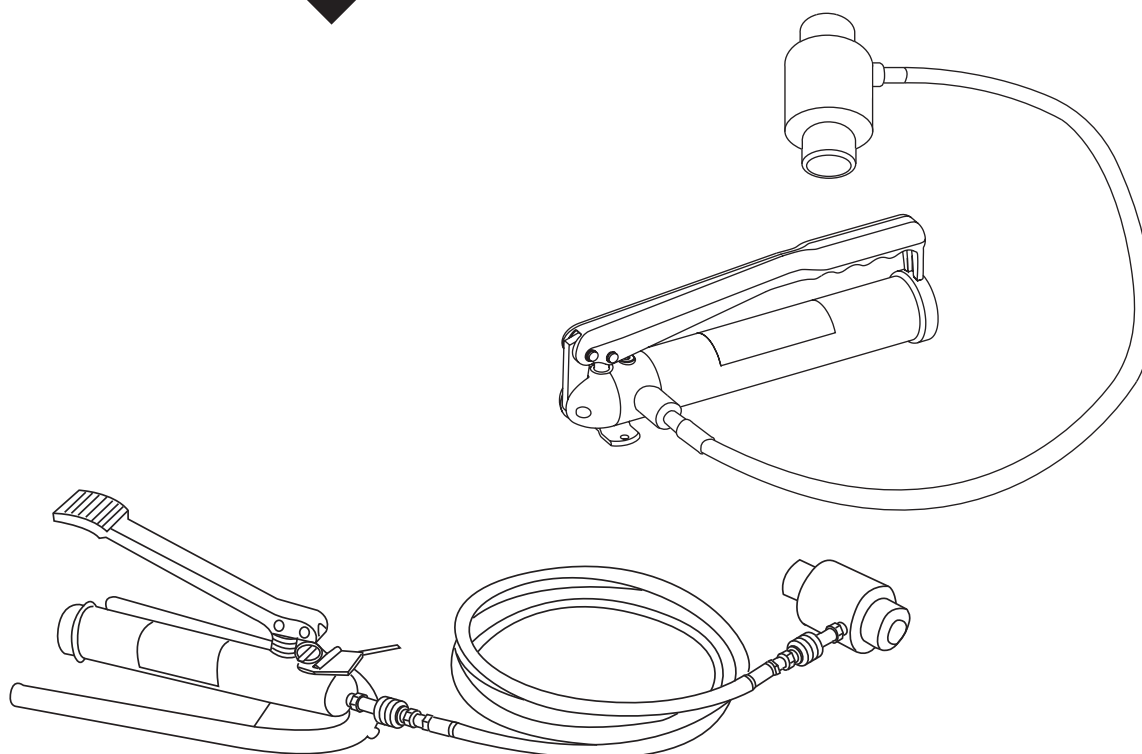
1. Utilice un paño húmedo y detergente suave para limpiar la carcasa. Deje secar la carcasa.
2. Regrese totalmente el pistón. Coloque la herramienta en el estuche portátil y almacene en un lugar fresco y seco.

## Resolución de problemas

<b>Problema</b>	<b>Posible causa</b>	<b>Posible solución</b>
La herramienta no está operativa.	Suciedad, contaminantes, etc. en el área de pistón de la herramienta.	Limpie la herramienta.
	Los componentes de la herramienta están gastados o dañados.	Devuelva la herramienta a un Centro de Servicio Autorizado Greenlee.
La herramienta pierde aceite.	Sello interno dañado.	Devuelva la herramienta a un Centro de Servicio Autorizado Greenlee.
Falla en la retracción.	Válvula de presión en posición cerrada.	Abrir la válvula de presión.
Macho sin recubrir atascado.	Demasiado ajustado.	Llevar la herramienta bien abajo (no aplicar presión después de que la carrera del pistón se haya detenido) y usar una llave hexagonal para sacar el macho sin recubrir.



# MANUEL D'UTILISATION



## Poinçonneuses Hydraulique 746A, 767, 1725



Veillez **lire** attentivement l'**ensemble** des instructions et des renseignements de sécurité contenus dans ce mode d'emploi avant d'utiliser ou d'entretenir cet outil

Enregistrez ce produit sur [www.greenlee.com](http://www.greenlee.com)

## Table of Contents

Description .....	26
Sécurité .....	26
Objectif de ce manuel .....	26
Informations importantes de sécurité.....	27-29
Identification et illustration .....	30
Caractéristiques .....	31
Configuration et fonctionnement.....	32-33
Capacité .....	34
Entretien .....	35
Dépannage .....	36

## Description

Les Hydraulic Knockout Drivers Greenlee sont des poinçonneuses manuelles autonomes conçues pour être utilisées avec les poinçons, les matrices et les tiges de traction Greenlee et pour perferer l'acier doux, l'acier inoxydable, le laiton, le cuivre, l'aluminium, la fibre de verre et le plastique.

Ces appareils sont conçus pour être utilisés avec les outils Greenlee suivants :

- Poinçons, matrices et tiges de traction standards
- Poinçons, matrices et tiges de traction Slug-Buster<sup>MD</sup>
- Poinçons, matrices et tiges de traction Slug-Splitter<sup>MD</sup>
- Système à emporte-pièces SPEED PUNCH<sup>MD</sup>
- Poinçons pour tableau de raccordement électronique
- Poinçons, matrices et tiges de traction de forme spéciale (en « D », double « D », à clavette, carrée, rectangulaire et étanche à l'huile avec encoches)

Les poinçons standards, Slug-Buster, pour tableau de raccordement électronique et de forme spéciale peuvent perferer l'acier doux, le laiton, le cuivre, l'aluminium, la fibre de verre et le plastique. Leur capacité à perferer l'acier inoxydable est limitée.

Les poinçons, les matrices et les tiges de traction Slug-Splitter peuvent perferer tous ces matériaux et sont optimisés pour perferer l'acier inoxydable. Consultez la section « Capacité » de ce mode d'emploi pour obtenir des renseignements détaillés sur le calibre maximal de la poinçonneuse.

Ne dépassez pas la capacité nominale du poinçon ou de la poinçonneuse.

## Sécurité

Lors de l'utilisation et de l'entretien des outils et de l'équipement de Greenlee, la sécurité est essentielle. Les instructions de ce manuel et celles qui sont inscrites sur l'outil fournissent des informations qui permettent d'éviter les dangers et les manipulations dangereuses liés à l'utilisation de cet outil. Veuillez respecter toutes les informations de sécurité fournies.

### Objectif de ce manuel

Le présent manuel a pour objet de familiariser l'utilisateur avec les procédures préconisées pour une utilisation et un entretien sans danger de l'outil Greenlee suivant :

746A Vérin hydraulique

767 Pompe manuelle

1725 Pompe à pied

Mettre ce manuel à la disposition de tout le personnel. Des manuels de rechange peuvent être obtenus gratuitement sur demande sur [www.greenlee.com](http://www.greenlee.com).



### Ne pas éliminer ni jeter ce produit!

Pour obtenir des renseignements sur le recyclage, rendez-vous sur le site [www.greenlee.com](http://www.greenlee.com).


Toutes les caractéristiques sont nominales et peuvent changer lorsque des améliorations sont apportées dans la conception. Greenlee Tools, Inc. décline toute responsabilité quant aux dommages résultant d'un emploi inadéquat ou d'un mésusage de ses produits.

Kwik-Stepper, Slug-Buster, Slug-Splitter et SPEED PUNCH sont des marques déposées de Greenlee Tools, Inc.

## CONSERVER CE MANUEL


## RENSEIGNEMENTS DE SÉCURITÉ IMPORTANTS


	<h3>SYMBOLE D'AVERTISSEMENT</h3>
<p>Ce symbole met en garde contre les risques ou les pratiques dangereuses pouvant causer des blessures ou des dommages matériels. Le mot indicateur, défini ci-dessous, indique la gravité du danger. Le message après le mot indicateur fournit de l'information qui permet de prévenir ou d'éviter le danger.</p>	
<h3>⚠ DANGER</h3>	
<p>Danger immédiat qui, s'il n'est pas évité, ENTRAÎNERA des blessures graves voire mortelles.</p>	
<h3>⚠ AVERTISSEMENT</h3>	
<p>Danger qui, s'il n'est pas évité, POURRAIT entraîner des blessures graves voire mortelles.</p>	
<h3>⚠ ATTENTION</h3>	
<p>Danger ou pratiques dangereuses qui, à défaut d'être évités, SONT SUSCEPTIBLES d'entraîner des blessures ou des dommages matériels.</p>	


	<h3>⚠ AVERTISSEMENT</h3>
<p>Veillez lire et comprendre toutes les instructions et informations de sécurité de ce manuel avant d'utiliser cet outil ou d'effectuer son entretien.</p>	
<p>Le non-respect de cet avertissement peut entraîner des blessures graves, voire mortelles.</p>	

	<h3>⚠ AVERTISSEMENT</h3>
<p>Danger de décharge électrique : Cet outil n'est pas isolé. Pour utiliser cet appareil sur des lignes électriques sous tension ou à proximité de celles-ci, porter l'équipement de protection individuelle approprié.</p>	
<p>Le non-respect de cet avertissement peut entraîner des blessures graves, voire mortelles.</p>	

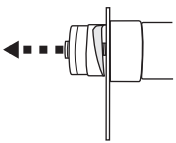
	<h3>⚠ AVERTISSEMENT</h3>
<p>Veiller à porter des lunettes de protection lors de l'utilisation ou de l'entretien de cet outil.</p>	
<p>L'absence de lunettes de protection pourrait entraîner des lésions oculaires graves causées par des projections de débris ou d'huile hydraulique.</p>	

	<h3>⚠ AVERTISSEMENT</h3>
<p>Danger d'injection sous la peau :</p>	
<p>Ne pas utiliser les mains pour contrôler l'étanchéité hydraulique. Le liquide sous pression peut aisément percer la peau. En cas de lésion, consulter immédiatement un médecin pour extraire le liquide hydraulique.</p>	
<p>Le non-respect de cette mise en garde peut entraîner des blessures graves, la gangrène ou la mort.</p>	

	<h3>⚠ AVERTISSEMENT</h3>
<p>Ne pas utiliser de solvant ni de liquide inflammable pour nettoyer le boîtier de l'outil. Les solvants et les liquides inflammables peuvent s'enflammer et provoquer des blessures ou des dégâts matériels graves.</p>	

	<h3>⚠ AVERTISSEMENT</h3>
<p>garder les mains éloignées de la tête de l'outil en poinçonnant.</p>	
<p>Le non-respect de ces avertissements peut entraîner des blessures graves, voire mortelles.</p>	

## RENSEIGNEMENTS DE SÉCURITÉ IMPORTANTS (suite)

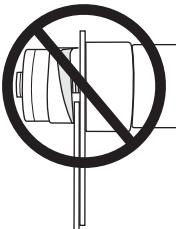


**⚠ AVERTISSEMENT**

La défaillance d'un mécanisme peut provoquer la projection de pièces cassées.

- Ne permettre à personne de se tenir devant le poinçon ou derrière le vérin hydraulique.
- Fermer les panneaux d'accès ou les capots de toute machine placée dans l'alignement du poinçon ou le vérin.

Le non-respect de cet avertissement peut entraîner des blessures graves, voire mortelles.



**⚠ AVERTISSEMENT**

Ne pas tenter de poinçonner à travers deux épaisseurs de matériaux ou plus. Cela entraîne la flexion ou la rupture de la tige de traction et risque de projeter des pièces avec violence.

Le non-respect de cet avertissement peut entraîner des blessures graves, voire mortelles.

**⚠ AVERTISSEMENT**

Configurer l'outil comme il se doit. Une configuration incorrecte pourrait provoquer la défaillance d'un mécanisme de l'outil, qui risquerait alors de heurter violemment un membre du personnel se trouvant à proximité.

- *Utilisez exclusivement des poinçons, des matrices et des tiges de traction Greenlee. Les pièces d'autres fabricants ne résistent pas aux forces développées par l'Outil de poinçonnement.*
- Configuration du poinçon manuel : le poinçon doit être vissé complètement sur la tige de traction. Les filets de la tige de traction doivent être complètement enclenchés dans les filets du poinçon. Un assemblage incomplet peut provoquer une défaillance de l'outil.
- Configuration du poinçon hydraulique : la tige de traction doit être vissée complètement à l'intérieur de la tête de la poinçonneuse. Le poinçon doit être vissé complètement sur la tige de traction. Les filets de la tige de traction doivent être complètement enclenchés dans les filets du poinçon. Un assemblage incomplet peut provoquer une défaillance de l'outil.
- Configuration du poinçon SPEED PUNCH : la tige de traction doit être vissée complètement à l'intérieur de la tête de la poinçonneuse. Le dispositif de verrouillage SPEED LOCK doit s'enclencher entièrement sur la tige de traction et se fermer complètement. Un assemblage incomplet peut provoquer une défaillance de l'outil.

Le non-respect de ces avertissements peut entraîner des blessures graves, voire mortelles.

**⚠ AVERTISSEMENT**

- Inspecter l'outil pour s'assurer qu'il ne présente ni signes d'usure ni dommages. Remplacer tout élément usé, endommagé ou manquant en utilisant des pièces de rechange Greenlee. Un outil endommagé ou mal assemblé peut se rompre et heurter une personne à proximité avec suffisamment de violence pour provoquer une blessure grave ou la mort.
- Inspectez l'état d'endommagement du poinçon, de la matrice et de la tige de traction. Remplacer tout élément usé ou endommagé en utilisant des pièces de rechange Greenlee. Remplacer tout poinçon qui présente des surfaces de coupe émoussées.

**⚠ AVERTISSEMENT**

Ne pas dépasser la capacité nominale de cet outil. Le fait de dépasser la capacité nominale pourrait causer la défaillance d'un mécanisme, laquelle risquerait de projeter violemment des pièces brisées.

Le non-respect de cet avertissement peut entraîner des blessures graves, voire mortelles.

**⚠ AVERTISSEMENT**

Utiliser cet outil pour l'usage prévu par le fabricant uniquement. Tout emploi autre que celui décrit dans ce manuel peut entraîner des blessures ou des dégâts matériels.

**⚠ AVERTISSEMENT**

Assurez-vous que le cycle de poinçonnement s'arrête après avoir percé un trou. Dans le cas contraire, les pièces peuvent entrer en collision, ce qui risque d'éjecter des pièces cassées.

Le non-respect de cet avertissement peut entraîner des blessures graves, voire mortelles.

**⚠ ATTENTION**

Une fois la perforation terminée, la poinçonneuse tombera.

- Vous devez supporter le poids de l'outil lors de la perforation.
- Ne laissez personne se tenir sous la poinçonneuse lorsque vous percez en hauteur.

Le non-respect de cet avertissement risque d'entraîner des blessures ou des dégâts matériels.

## ***RENSEIGNEMENTS DE SÉCURITÉ IMPORTANTS (suite)***

### **⚠ ATTENTION**

Ne pas bloquer cet outil dans un étau. L'outil est conçu pour être utilisé à la main.

Utiliser cet outil pour l'usage prévu par le fabricant uniquement.

Le non-respect de ces précautions peut entraîner des blessures ou des dommages matériels.

### **⚠ ATTENTION**

N'actionnez pas le levier de la pompe après l'arrêt du vérin.

Si vous actionnez le levier de la pompe après l'arrêt du vérin, cela endommagera le système.

### **⚠ ATTENTION**

N'effectuer aucune réparation ni opération d'entretien autre que celles décrites dans ce manuel. Cela peut entraîner des blessures ou des dommages à l'outil.

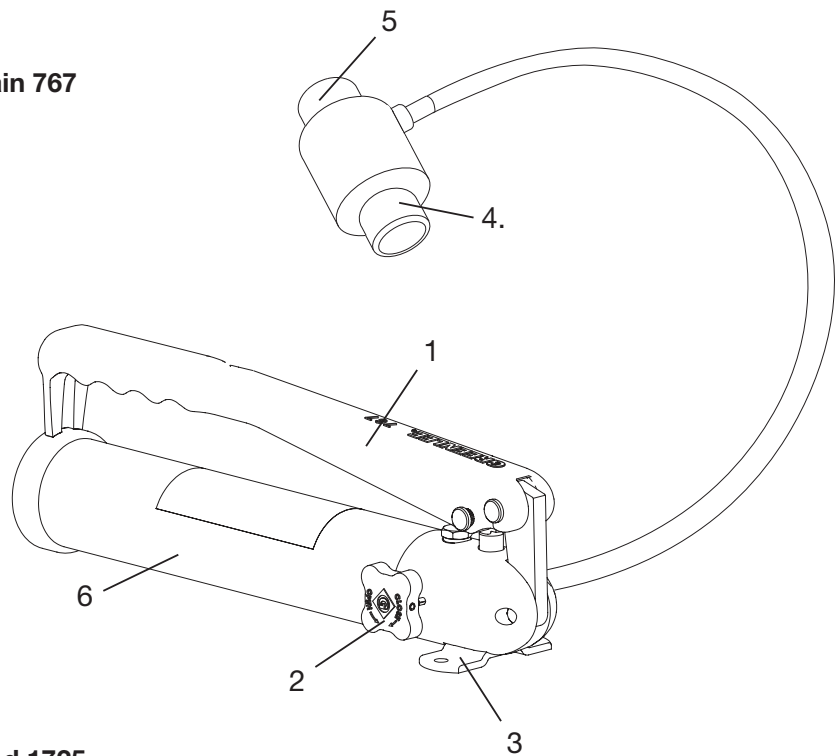
Le non-respect de cette précaution peut entraîner des blessures ou des dégâts matériels.

*Remarque : conserver toutes les décalcomanies dans un état propre et lisible; les remplacer au besoin.*

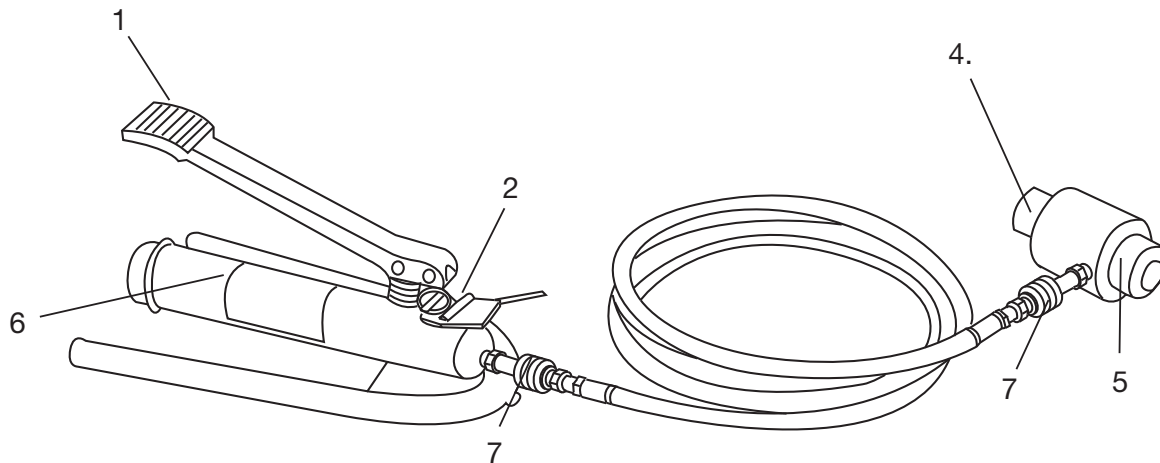
**Identification et illustration**

- 1. Levier de la pompe
- 2. Vanne de pression
- 3. Plaque de fixation
- 4. Tête du poinçon
- 5. Épaulement du vérin
- 6. Pompe
- 7. Coupleurs

**Vérin hydraulique 746A avec pompe à main 767**



**Vérin hydraulique 746A avec pompe à pied 1725**



## Caractéristiques

Plage de température de service conseillée ..... 5 °F à 122 °F (-15 °C à 50 °C)

### Cylindre/vérin 746A

Longueur ..... 6,05 po (153,7 mm)  
Largeur ..... 2,91 po (73,9 mm)  
Poids ..... 5,3 lb (2,4 kg)  
Force ..... 11 tonnes (107,87 kN)

### Pompe 767

Longueur ..... 12,5 po (317,5 mm)  
Largeur ..... 2,75 po (69,8 mm)  
Profondeur ..... 4,2 po (106,7 mm)  
Poids ..... 5 lb (2,27 kg)  
Huile hydraulique ..... 90504410  
Capacité d'huile ..... 0,08 gal (0,3 l)  
Longueur du flexible ..... 3 pi (0,9 m)

### Pompe 1725

Longueur ..... 14 po (355,6 mm)  
Largeur ..... 7,50 po (190,5 mm)  
Profondeur ..... 5,50 po (139,7 mm)  
Poids ..... 10 lb (4,5 kg)  
Huile hydraulique ..... 90504410  
Capacité d'huile ..... 0,085 gal (0,32 l)  
Longueur du flexible ..... 10 pi (3,05 m)

## Configuration et fonctionnement

### Poinçonnement

1. Retirez les bouchons antipoussière des coupleurs, puis raccordez le flexible au vérin et à la pompe. Fixez les coupleurs les uns aux autres (ne s'applique pas aux pompes 746A/767).  
*Remarque : serrez manuellement tous les coupleurs pour engager complètement le filetage. Ne pas utiliser d'outil.*
2. Consultez le mode d'emploi de la poinçonneuse hydraulique pour savoir comment sélectionner et installer le poinçon, la matrice et la tige de traction correctement.
3. Sélectionnez le poinçon, la matrice et la tige de traction appropriés selon les dimensions recherchées du trou.
4. Déterminer et marquer l'emplacement exact du trou à poinçonner. À l'aide d'un foret à redans Greenlee Kwik Stepper<sup>MD</sup>, percez un trou légèrement plus grand que le diamètre de la tige de traction.
5. Actionnez la soupape de détente pour étendre complètement le vérin en tournant la vanne de pression de la pompe 767 dans le sens antihoraire ou en ouvrant la vanne de pression de la pompe 1725.
6. Vissez la tige de traction appropriée complètement à l'intérieur du vérin, dans la tête du poinçon.
7. Faites glisser la matrice correspondante sur la tige de traction. Le bout ouvert de la matrice devrait être orienté à l'opposé de la tête du poinçon.
8. Insérez la tige de traction dans l'avant-trou du matériau qui est percé.
9. Vissez le poinçon (bord tranchant vers le matériau) sur la tige de traction jusqu'à ce que l'ensemble du poinçon soit fermement positionné sur la surface du matériau.  
*Remarque :*
  - *Tous les filets du poinçon doivent être engagés complètement sur les filets de la tige de traction. Si les filets du poinçon ne sont pas tous engagés, remontez l'ensemble.*
  - *Dans le cas du poinçon SPEED PUNCH<sup>MD</sup>, faites glisser le poinçon sur la tige de traction (bord tranchant vers le matériau), puis fixez le dispositif SPEED LOCK sur la tige de traction.*
10. Fermez la vanne de pression de la pompe 767 en la tournant dans le sens horaire au maximum (ne s'applique pas à la pompe 1725).
11. Pompez jusqu'à perforer complètement. Supportez le poids du vérin lorsque vous utilisez la pompe. Cela empêchera le vérin de tomber une fois la perforation terminée.  
*Remarque : si le vérin s'arrête et que la perforation n'est pas terminée, arrêtez de pomper. Vérifiez le montage et que vous avez bien respecté la capacité de l'appareil. Consultez les instructions de montage. Assurez-vous que la matrice, le matériau et le poinçon sont bien fixés.*
12. Relâchez la pression de la pompe en tournant la vanne de pression de la pompe 767 dans le sens antihoraire ou en ouvrant la vanne de pression de la pompe 1725 jusqu'à ce que le piston du vérin soit dans sa position la plus avancée.
13. Dévissez le poinçon de la tige de traction. Faites glisser la matrice pour la détacher de la tige de traction, puis retirez les éventuelles extrusions.  
*Remarque : pour le SPEED PUNCH<sup>MD</sup>, retirez le SPEED LOCK. Faites glisser le poinçon hors de la tige de traction, puis faites glisser la matrice hors de la tige de traction et retirez les éventuelles extrusions.*



## Configuration et fonctionnement (suite)

### AVERTISSEMENT

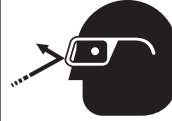
- Inspecter l'outil pour s'assurer qu'il ne présente ni signes d'usure ni dommages. Remplacer tout élément usé, endommagé ou manquant en utilisant des pièces de rechange Greenlee. Un outil endommagé ou mal assemblé peut se rompre et heurter une personne à proximité avec suffisamment de violence pour provoquer une blessure grave ou la mort.
- Inspectez l'état d'usure ou d'endommagement du poinçon, de la matrice et de la tige de traction. Remplacer tout élément usé ou endommagé en utilisant des pièces de rechange Greenlee. Remplacer tout poinçon qui présente des surfaces de coupe émoussées.

### AVERTISSEMENT



Danger de décharge électrique :  
Cet outil n'est pas isolé. Pour utiliser cet appareil sur des lignes électriques sous tension ou à proximité de celles-ci, porter l'équipement de protection individuelle approprié.  
Le non-respect de cet avertissement peut entraîner des blessures graves, voire mortelles.

### AVERTISSEMENT



Veiller à porter des lunettes de protection lors de l'utilisation ou de l'entretien de cet outil.  
L'absence de lunettes de protection pourrait entraîner des lésions oculaires graves causées par des projections de débris ou d'huile hydraulique.

### AVERTISSEMENT



Points de pincement :  
garder les mains éloignées de la tête de l'outil en poinçonnant.  
Le non-respect de ces avertissements peut entraîner des blessures graves, voire mortelles.

### ATTENTION

Ne pas bloquer cet outil dans un étau. L'outil est conçu pour être utilisé à la main.  
Utiliser cet outil pour l'usage prévu par le fabricant uniquement.  
Le non-respect de ces précautions peut entraîner des blessures ou des dommages matériels.

## Capacité

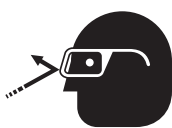
### Poinçonneuses hydrauliques


<b>ACIER INOXYDABLE</b>	
<b>Poinçons Slug-Splitter et poinçons à large diamètre</b>	
<b>Dimensions des tuyaux et conduits</b>	<b>Calibre maximal de la poinçonneuse</b>
<b>0,5 po à 4 po</b>	cal. 10 (0,134 po, 3 mm)


<b>ACIER DOUX</b>	
<b>Poinçons standards et Slug-Buster</b>	
<b>Dimensions des tuyaux et conduits</b>	<b>Calibre maximal de la poinçonneuse</b>
<b>0,5 po à 4 po</b>	cal. 10 (0,134 po, 3 mm)

*Remarque : consultez le mode d'emploi de la poinçonneuse hydraulique pour savoir comment sélectionner et installer le poinçon, la matrice et la tige de traction.*

## Entretien

	<b>⚠ AVERTISSEMENT</b>
	<p>Veiller à porter des lunettes de protection lors de l'utilisation ou de l'entretien de cet outil.</p> <p>L'absence de lunettes de protection pourrait entraîner des lésions oculaires graves causées par des projections de débris ou d'huile hydraulique.</p>

	<b>⚠ ATTENTION</b>
	<p>Danger d'injection sous la peau :</p> <p>Ne pas utiliser les mains pour contrôler l'étanchéité hydraulique. Le liquide sous pression peut aisément percer la peau. En cas de lésion, consulter immédiatement un médecin pour extraire le liquide hydraulique.</p> <p>Le non-respect de cette mise en garde peut entraîner des blessures graves, la gangrène ou la mort.</p>

	<b>⚠ ATTENTION</b>
	<p>Ne pas utiliser de solvant ni de liquide inflammable pour nettoyer le boîtier de l'outil. Les solvants et les liquides inflammables peuvent s'enflammer et provoquer des blessures ou des dégâts matériels graves.</p>

	<b>⚠ ATTENTION</b>
	<p>garder les mains éloignées de la tête de l'outil en poinçonnant.</p> <p>Le non-respect de ces avertissements peut entraîner des blessures graves, voire mortelles.</p>

<b>IMPORTANT</b>
<p>Les réglages de la soupape de décharge doivent être effectués par un centre de réparation agréé.</p>

### Chaque jour

#### Avant utilisation :

1. Vérifier l'absence d'usure et de dommages tels que fissures, entailles ou éclats.
2. Vérifier que l'outil ne présente pas de dommages ni de fuites.
3. Rentrer complètement le vérin. Si un dommage est détecté, communiquer avec le service à la clientèle de Greenlee, au 800-435-0786, pour obtenir une intervention de service ou de réparation au titre de la garantie.

#### Après utilisation :

1. Utiliser un chiffon humide et un détergent doux pour nettoyer le boîtier. Laisser le boîtier sécher.
2. Rentrer complètement le vérin. Placer l'outil dans son étui de transport et le ranger dans un endroit frais et sec.

**Dépannage**

<b>Problème</b>	<b>Cause possible</b>	<b>Solution probable</b>
L'outil ne fonctionne pas.	Saleté, corps étrangers, etc. au niveau du vérin.	Nettoyer l'outil.
	Éléments de l'outil usés ou endommagés.	Renvoyez l'outil à un centre de réparation agréé Greenlee.
L'outil perd du liquide hydraulique.	Joint interne endommagé.	Renvoyez l'outil à un centre de réparation agréé Greenlee.
Rétractation impossible.	Vanne de pression en position fermée	Ouvrez la vanne de pression
Tige de traction bloquée	Trop serrée	Positionnez l'appareil au plus bas (n'appliquez aucune pression après l'arrêt de la course du vérin), puis utilisez une clé hexagonale pour desserrer la tige de traction