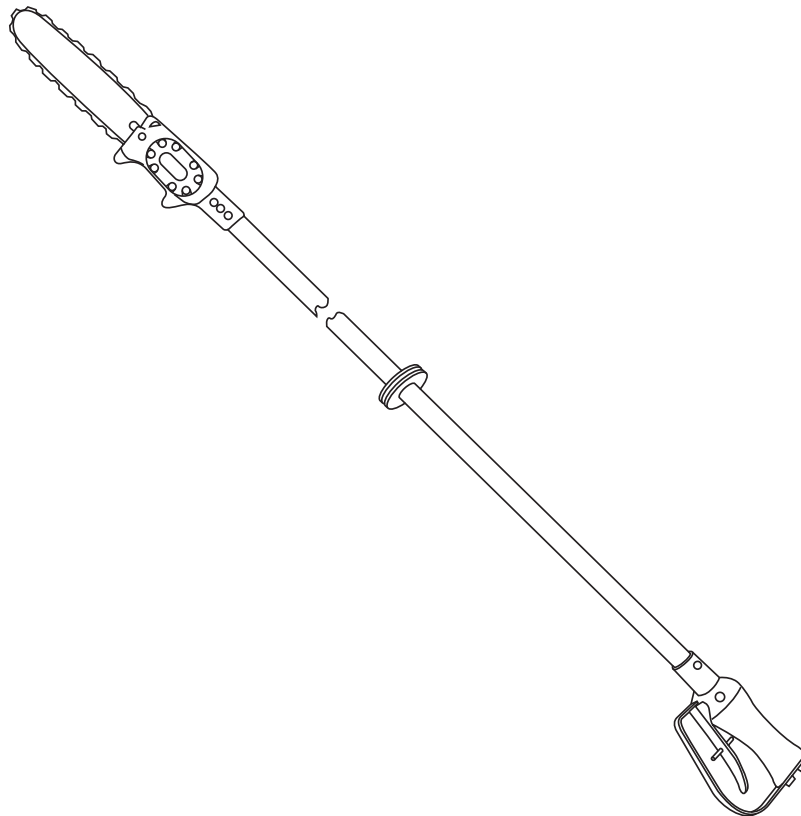


SERVICE BULLETIN



52058056 Retrofit Kit **for 38568, 38569, 43177, 43178, LRF75,** **and LRF88 Long-Reach Chain Saws**



Read and understand all of the instructions and safety information in this manual before operating or servicing this tool.

Register this product at www.greenlee.com

Description

This kit is intended to convert an old serial code saw to a new serial code saw.

The kit includes items 1, 8, 9, 10, 11, 12, and 14 of the new serial code configuration.

Note: The individual parts in the kit are not backwards compatible and will not work for an old serial code.

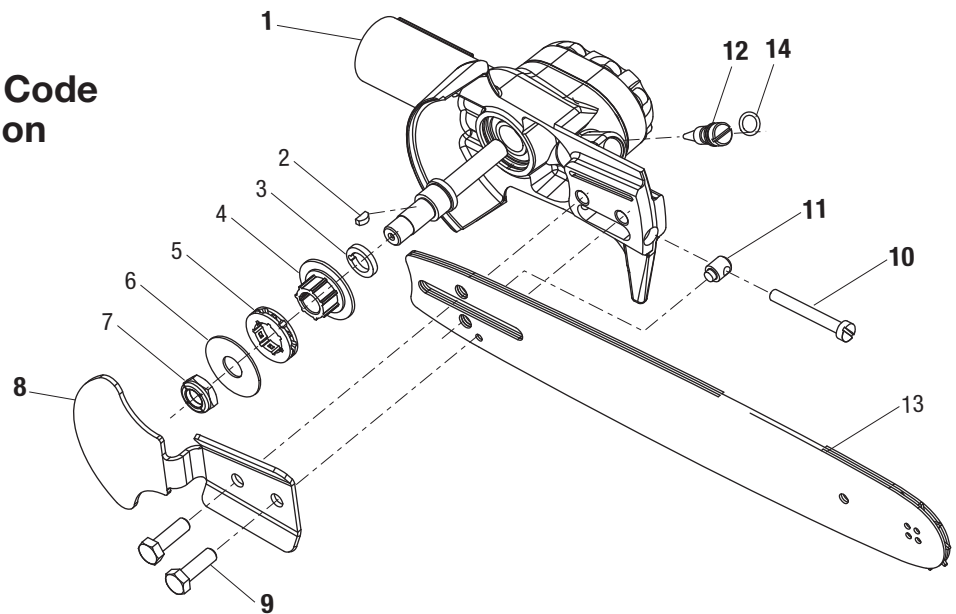
Refer to the Service Manual (99912864) for installation instructions.

Purpose of this Manual

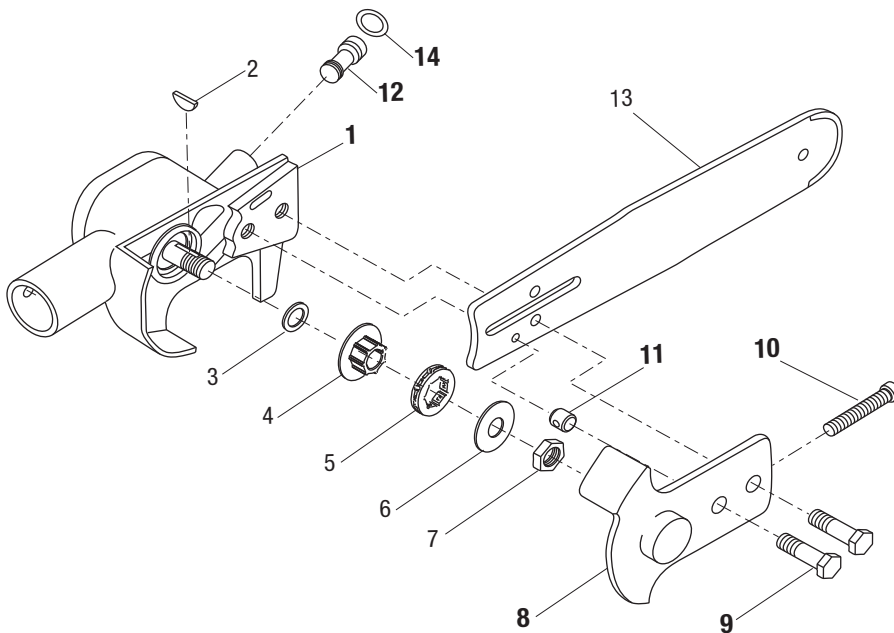
This manual is intended to familiarize all personnel with a serial code change and retrofit kit that affect the following saws:

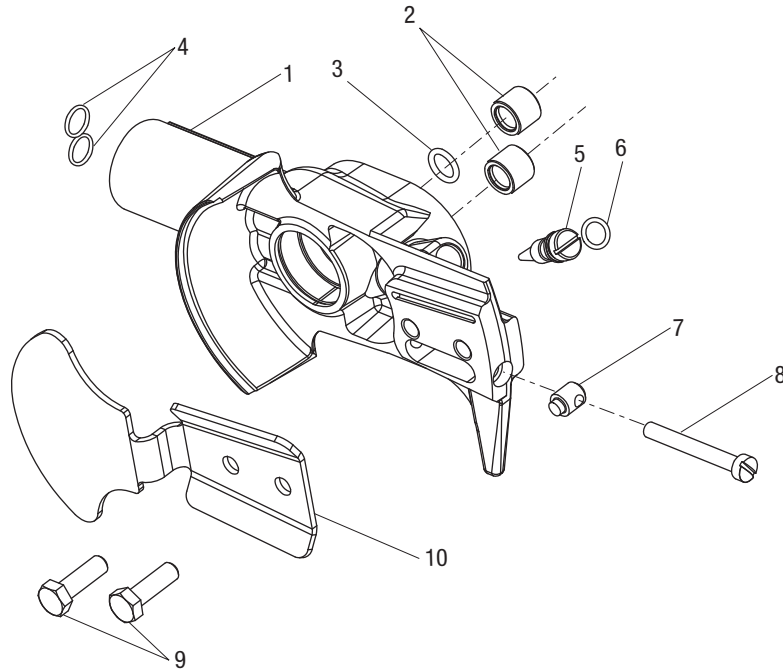
Saw Cat. No.	Old Serial Code	New Serial Code
38568	FRM	AMM
38569	AJN	AMR
43177	FRD	AMN
43178	FRR	AMP
LRF75	GLZ	AMT
LRF88	GLY	AMS

New Serial Code Configuration



Old Serial Code Configuration



Retrofit Kit Illustration and Parts List


Key	UPC No. 78-3310-	Part No.	Description	Qty
1	02089	52058055	Saw head assembly (includes items 2-4)	1
2	41591	50415911	Needle bearing.....	2
3			O-ring, .500 x .687 x .093-80.....	1
4			O-ring, .437 x .567 x .062-90.....	2
5	02092	52047936	Screw, metering	1
6			O-ring, .375 x .500 x .062-70.....	1
7	02094	52054770	Dog	1
8	41662	50416621	Screw, adjusting 1/4-20 machine	1
9	55360	90553608	Hex head cap, 5/16-18 x 1.00	2
10	02093	52047938	Cover	1



4455 Boeing Drive • Rockford, IL 61109-2988 • USA • 815-397-7070
An ISO 9001 Company • ©2019 Greenlee Tools, Inc.

USA

Tel: 800-435-0786

Fax: 800-451-2632

Canada

Tel: 800-435-0786

Fax: 800-524-2853

International

Tel: +1-815-397-7070

Fax: +1-815-397-9247

www.greenlee.com