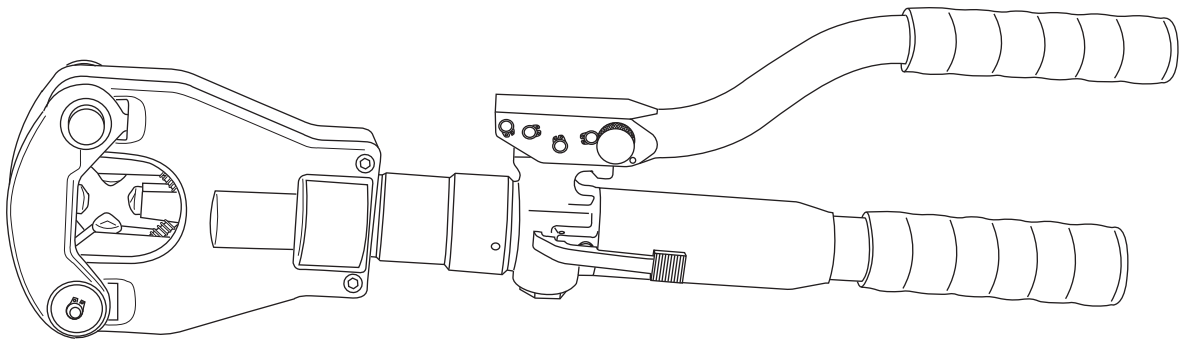


# INSTRUCTION MANUAL



## **HK06FT Hydraulic Crimping Tool**



**Read and understand** all of the instructions and safety information in this manual before operating or servicing this tool.

Register this product at [www.greenlee.com](http://www.greenlee.com)

## Table of Contents

Description .....	2
Safety .....	2
Purpose of this Manual .....	2
Important Safety Information .....	3-4
Identification .....	5
Specifications .....	5
Operation .....	6
Connector Selection .....	7
Periodic Pressure Relief Valve Check .....	7
Illustrations and Parts List .....	8-12

## Description

The HK06FT Hydraulic Crimping Tool is a hand-held, self-contained, dieless crimping tool intended to crimp aluminum and copper connectors onto electrical cable.

## Safety

Safety is essential in the use and maintenance of Greenlee tools and equipment. This instruction manual and any markings on the tool provide information for avoiding hazards and unsafe practices related to the use of this tool. Observe all of the safety information provided.

## Purpose of this Manual

This manual is intended to familiarize all personnel with the safe operation and maintenance procedures for the following Greenlee tool:

HK06FT Hydraulic Crimping Tool

Keep this manual available to all personnel.

Replacement manuals are available upon request at no charge at [www.greenlee.com](http://www.greenlee.com).

All specifications are nominal and may change as design improvements occur. Greenlee Textron Inc. shall not be liable for damages resulting from misapplication or misuse of its products. Blackburn is a registered trademark of Thomas & Betts.

# ***KEEP THIS MANUAL***

**IMPORTANT SAFETY INFORMATION**



**SAFETY  
ALERT  
SYMBOL**

This symbol is used to call your attention to hazards or unsafe practices which could result in an injury or property damage. The signal word, defined below, indicates the severity of the hazard. The message after the signal word provides information for preventing or avoiding the hazard.

**⚠ DANGER**

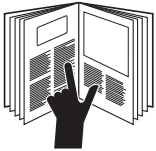
Immediate hazards which, if not avoided, **WILL** result in severe injury or death.

**⚠ WARNING**

Hazards which, if not avoided, **COULD** result in severe injury or death.

**⚠ CAUTION**

Hazards or unsafe practices which, if not avoided, **MAY** result in injury or property damage.



**⚠ WARNING**

Read and understand all of the instructions and safety information in this manual before operating or servicing this tool.

Failure to observe this warning could result in severe injury or death.

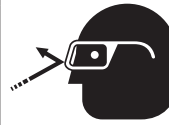


**⚠ WARNING**

Electric shock hazard:

This tool is not insulated. When using this unit on or near energized electrical lines, use proper personal protective equipment.

Failure to observe this warning could result in severe injury or death.



**⚠ WARNING**

Wear eye protection when operating this tool.

Failure to wear eye protection could result in serious eye injury from flying debris or hydraulic oil.



**⚠ WARNING**

Skin injection hazard:

- Do not use hands to check for leaks.
- Depressurize the hydraulic system before servicing.

Oil under pressure easily punctures skin causing serious injury, gangrene, or death. If you are injured by escaping oil, seek medical attention immediately.

**IMPORTANT SAFETY INFORMATION****⚠ WARNING**

An incomplete crimp can cause a fire. Use proper connector and cable combinations.

- Improper combinations can result in an incomplete crimp.
- The handle load will drop suddenly to indicate a completed crimp. If the handle load does not drop suddenly, the crimp is not complete.

Failure to observe these warnings could result in severe injury or death.

**⚠ CAUTION**

- This tool is intended for two-handed operation. Maintain a firm grip on both handles during operation. Using this tool in any other manner can result in injury or property damage.
- Do not operate the tool without a connector in place. Damage to the ram or crimping tool head can result.

Failure to observe these precautions may result in injury and property damage.

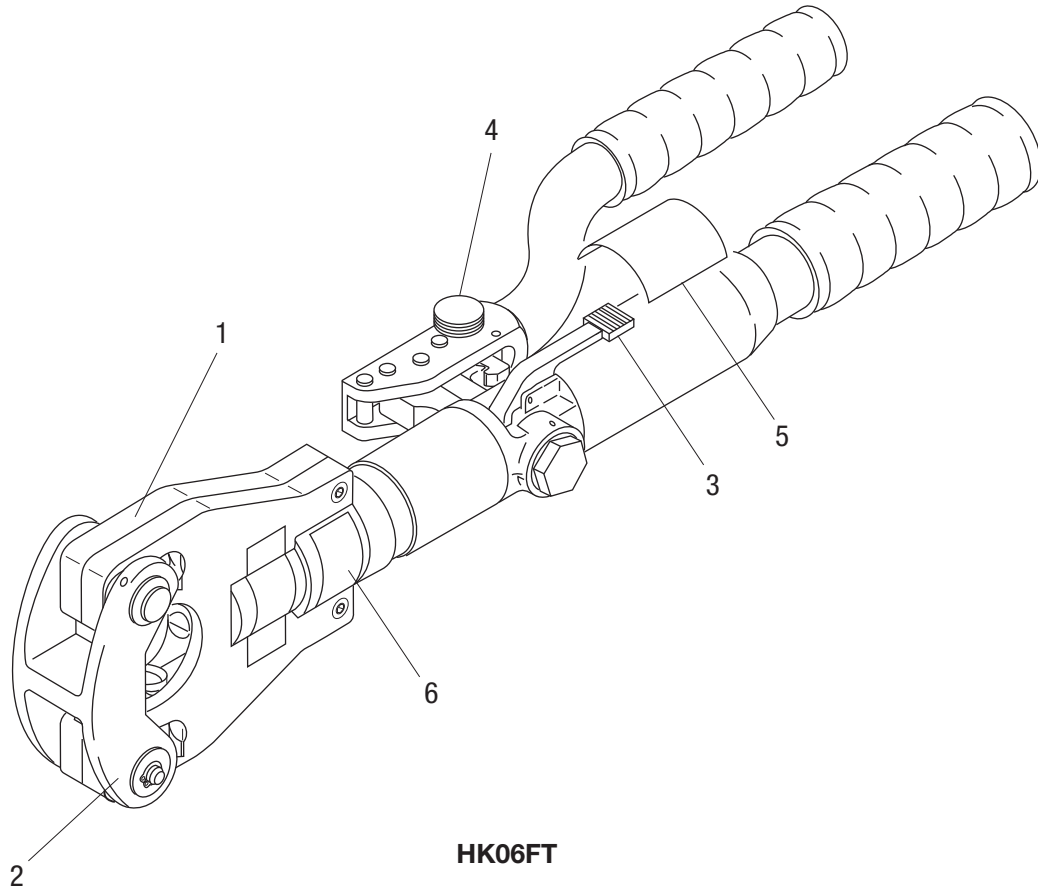
**⚠ WARNING**

Inspect tool before use. Replace any worn or damaged parts. A damaged or improperly assembled tool can break and strike nearby personnel.

Failure to observe this warning could result in severe injury or death.

*Note: Keep all decals clean and legible, and replace when necessary.*

## Identification



### HK06FT

- |                  |                   |
|------------------|-------------------|
| 1. Crimping Head | 4. Handle Release |
| 2. Flip Top      | 5. Decal          |
| 3. Release Lever | 6. Decal          |

## Specifications

### Crimping Tool


Length .....	535 mm (21.06")
Width .....	191 mm (7.5")
Height .....	63.5 mm (2.5")
Mass/Weight .....	4.1 kg (9 lb)
Hydraulic Oil .....	150 ml (0.3 pints) of Shell Tellus T15

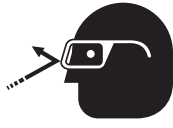
### Crimping Capacities


#### Crimping Range

Aluminum .....	6 AWG to 750 kcmil
Copper .....	4 AWG to 750 kcmil
Crimping Force .....	55 kN (6.2 tons)

## Operation

	<b>⚠ WARNING</b>
	<p><b>Electric shock hazard:</b></p> <p>This tool is not insulated. When using this unit on or near energized electrical lines, use proper personal protective equipment.</p> <p>Failure to observe this warning could result in severe injury or death.</p>

	<b>⚠ WARNING</b>
	<p><b>Wear eye protection when operating this tool.</b></p> <p>Failure to wear eye protection could result in serious eye injury from flying debris or hydraulic oil.</p>

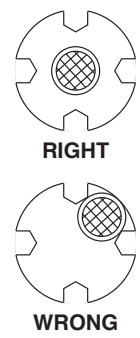
	<b>⚠ WARNING</b>
	<p><b>Skin injection hazard:</b></p> <ul style="list-style-type: none"> <li>Do not use hands to check for leaks.</li> <li>Depressurize the hydraulic system before servicing.</li> </ul> <p>Oil under pressure easily punctures skin causing serious injury, gangrene, or death. If you are injured by escaping oil, seek medical attention immediately.</p>

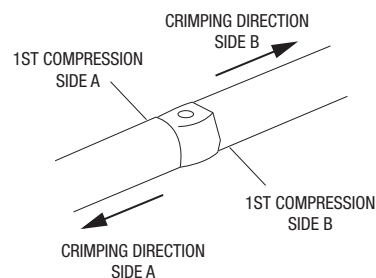
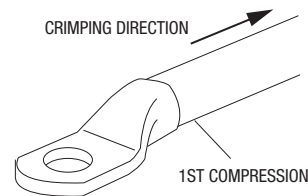
<b>⚠ WARNING</b>
<p>An incomplete crimp can cause a fire. Use proper connector and cable combinations.</p> <ul style="list-style-type: none"> <li>Improper combinations can result in an incomplete crimp.</li> <li>The handle load will drop suddenly to indicate a completed crimp. If the handle load does not drop suddenly, the crimp is not complete.</li> </ul> <p>Failure to observe these warnings could result in severe injury or death.</p>

- Follow the lug manufacturer's instructions for appropriate cable strip length and surface preparation.
- Insert cable fully into connector.
- Pull the latch pin and open the latch. Insert the connector with cable into the crimping head. Close the latch and push the pin completely into the latch.

<b>⚠ CAUTION</b>
<p>Do not operate the crimping tool unless the latch is completely closed and secured with the latch pin.</p> <p>Failure to observe this precaution may result in injury and property damage.</p>

- Center the connector between the nibs.

	<b>⚠ CAUTION</b>
	<p>Small connectors may become wedged between the nibs of the tool. Center the connector between the four nibs before crimping.</p> <p>Failure to observe this precaution can cause property damage.</p>



- Using the sequence illustrated here, pump the handles to advance the nibs. Continue to pump until the pressure relief valve activates.

*Note: Pressure relief occurs at approximately 55 kN (6.2 tons) and is indicated by an audible "pop".*

- After achieving pressure relief, the ram will automatically return to the start position and the nibs will retract.
- Complete the number of crimps specified by the connector manufacturer.

## Connector Selection

**Tool Range:** Copper — 4 AWG to 750 kcmil (except as noted  $\Delta$ )  
 Aluminum — 6 AWG to 750 kcmil (except as noted  $\square$ )

This tool is cUL and UL classified for use with the following connector brands:

CONNECTOR TYPE	BARREL TYPE	ANDERSON	BLACKBURN®	BURNDY	ILSCO	PANDUIT	T&B	PENN-UNION	NO. OF CRIMPS*	
Copper Splices	Short	VHSS	CSP $\Delta$	YS-L $\Delta$	CT $\Delta$	SCSS/SCS $\Delta$	54507-54523TB $\Delta$	BCU	A	
	Long	VHS	CU $\Delta$	YS $\Delta$	CTL $\Delta$	SCL/SCH $\Delta$	54807-54823 $\Delta$	BBCU		
Copper Lugs	Short	VHCS	CTL-2/CTL $\Delta$	YA-2LN/YA-L/YA-2L $\Delta$ YA/YA-L-TC/YA-L-2TC	CSW $\Delta$ CRA/CRB	LCAS/LCA $\Delta$ LCD	54107-54123TB $\Delta$ 54207-54223	BLU		
	Long	VHCL	CTL-L/LCN $\Delta$	YA-2N $\Delta$	CLN, CLW $\Delta$ CRA-L/CRB-L CRA-2L/CRB-2L	LCB/LCC $\Delta$	54933BE-54923BE $\Delta$ 54855BE-54880BE	BBLU		
Dual-rated Aluminum Splices	—	VACS	ASP $\square$	YS-A $\square$	AS ASN	SA $\square$	60507-50578	PIK $\square$		B
Dual-rated Aluminum Lugs	—	VACL	ATL $\square$	YA-A $\square$ YA-ATN	ACL/ACN 2ACL/2ACN ALNS/ALNN ALND	LAA $\square$ LAB	60106-60178 60230-60278	BLUA $\square$		



\*Use the number of crimps listed in the last column instead of the number provided with the connector:

**A** — 4 to 4/0 AWG: 1 crimp  
 250 to 600 kcmil: 2 crimps  
 750 kcmil: 3 crimps

**B** — 6 to 1 AWG: 1 crimp  
 1/0 AWG to 350 kcmil: 2 crimps  
 400 to 600 kcmil: 3 crimps  
 750 kcmil: 4 crimps

$\Delta$  2 AWG to 750 kcmil

$\square$  Blackburn: 4 AWG to 750 kcmil  
 Burndy: 4 AWG to 750 kcmil  
 Panduit: 4 AWG to 500 kcmil  
 Penn-Union: 6 AWG to 500 kcmil

## Periodic Pressure Relief Valve Check

Test the crimping tool periodically to ensure that the pressure relief valve activates at the proper pressure.

### Testing the Crimping Tool

- Center a test slug between the nibs.
- Close the latch and push the pin completely into the latch.

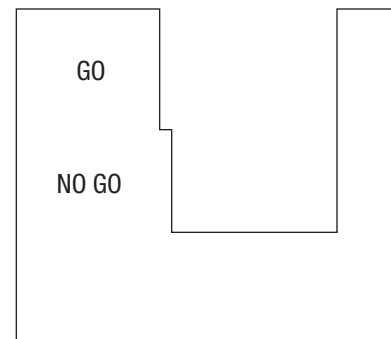
### CAUTION

Do not operate the crimping tool unless the latch is completely closed and secured with the latch pin. Failure to observe this precaution may result in injury and property damage.

- Pump the handle to advance the nibs. Continue pumping until the pressure relief valve activates.
- After achieving pressure relief, the ram will automatically return to the start position and the nibs will retract.

- Evaluate the test slug as follows:

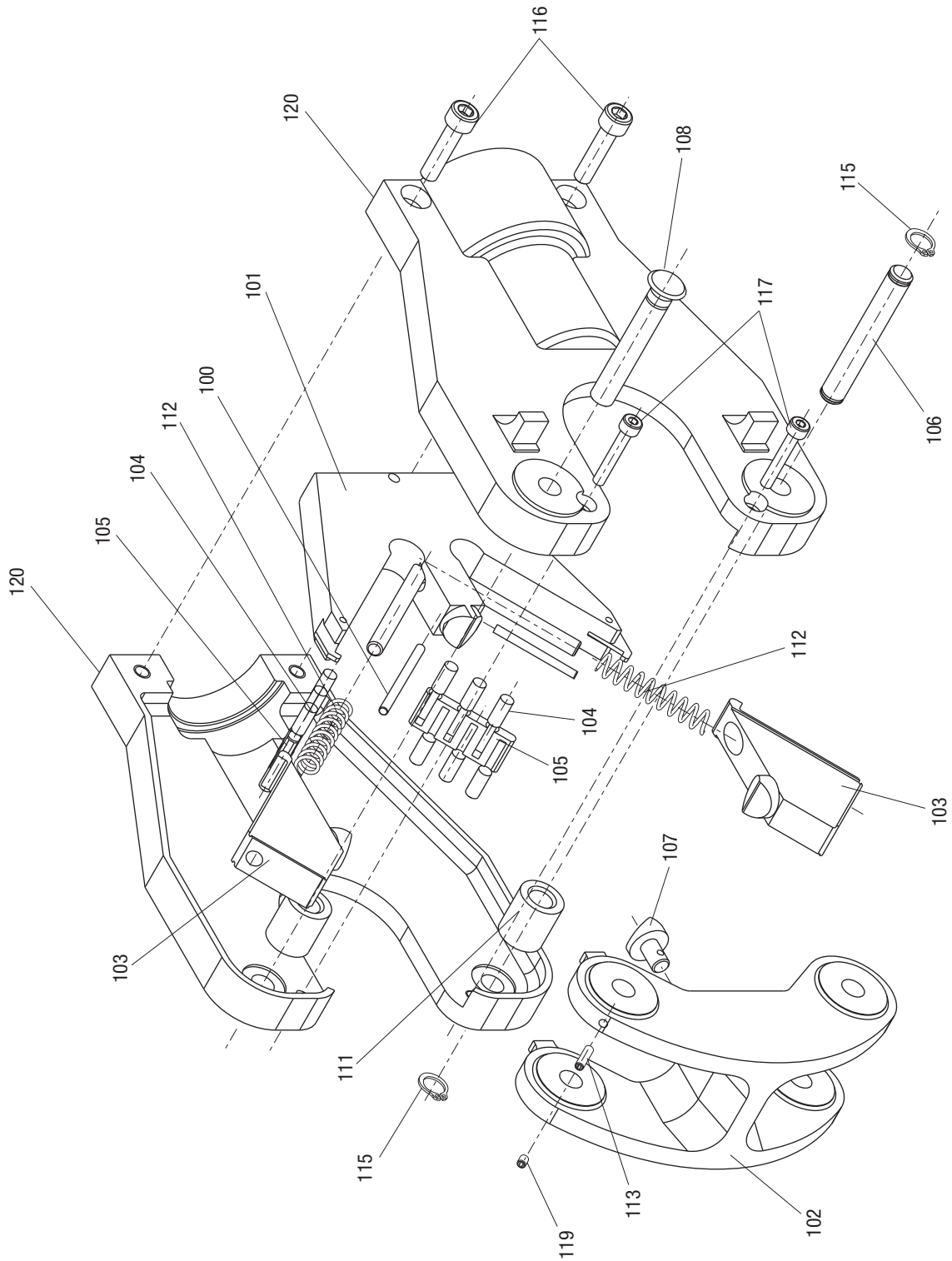
- If the test slug does not fit into GO slot, the pressure relief valve is set too high. Send the crimping tool to an authorized Greenlee service center.
- If the test slug fits into the GO slot, the pressure relief valve is set correctly.
- If the test slug fits into the NO GO slot, the pressure relief valve is set too low. Send the crimping tool to an authorized Greenlee service center.



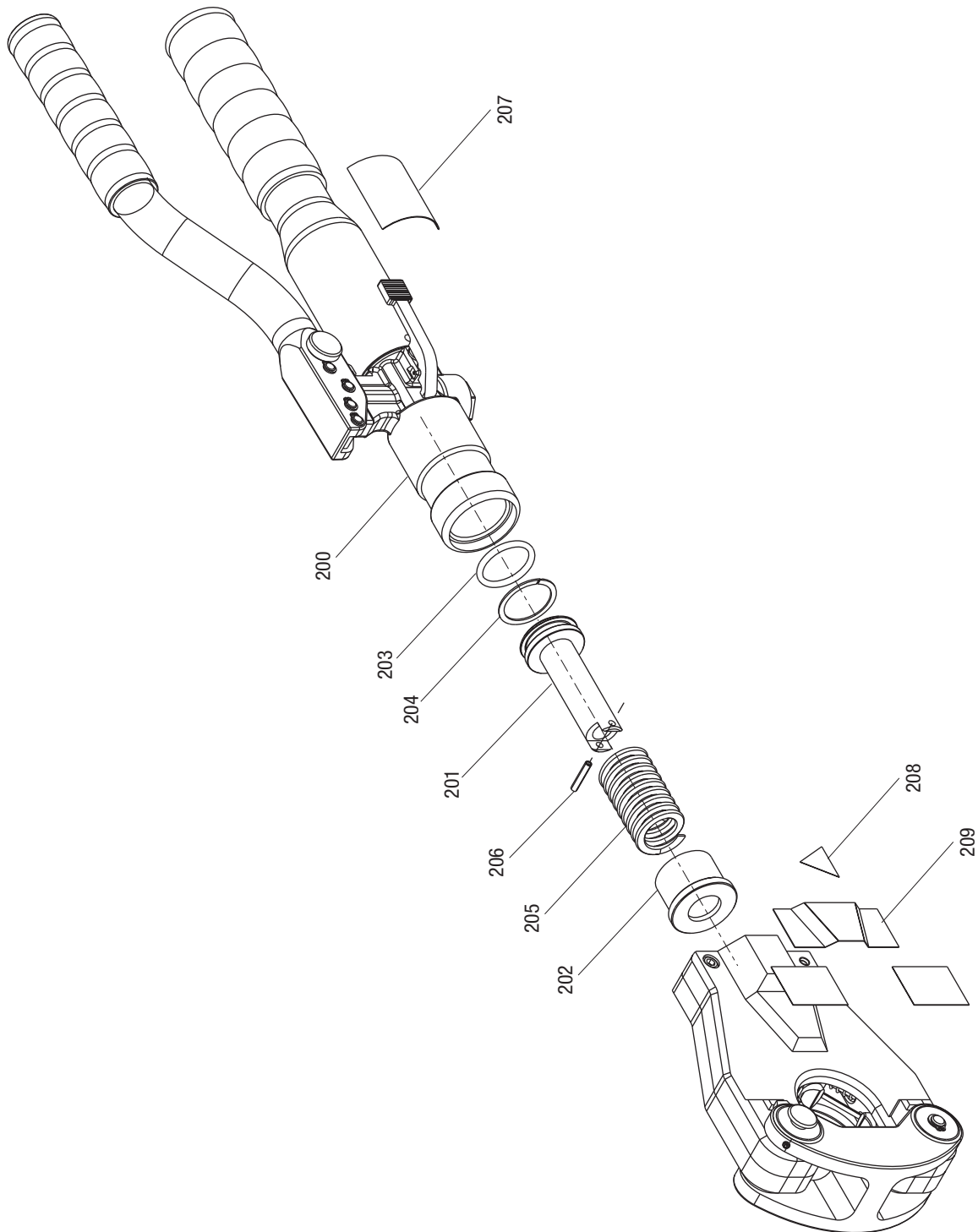




**Illustration**



**Illustration**



## Parts List

Key	Part No.	Description	Qty
1	52046672	Pump body.....	1
2	50063456	Pump piston.....	1
3	50063464	Sleeve .....	1
4	52046664	Ram.....	1
5	50063499	Screw plug .....	1
6	52046669	Release pin .....	1
7	50063553	Release lever.....	1
8	52046666	Filter adapter.....	1
9	50063448	Reservoir.....	1
10	52045244	Pump handle.....	1
11	52045245	Handle lock .....	1
13	50063600	Release knob .....	1
14	50063618	Roller .....	1
15	50063642	Handle pin.....	4
16	50067826	Handle tube assembly .....	1
17	50071777	Cable tie.....	1
18	50058789	Reservoir plug .....	1
19	50063421	Grip .....	1
20	52060035	Grip .....	1
21		O-ring .....	1
22		Piston seal.....	1
24		O-ring .....	1
25		O-ring .....	1
26		Copper washer.....	1
27	50109308	Threaded bushing .....	1
28	50109162	Threaded bushing .....	1
29	50109162	Threaded bushing .....	1
30	52046667	Spring, compression.....	1
31	50063731	Spring, compression.....	1
32	50103776	Spring,.....	1
37		Roll pin .....	1
38		Retaining ring .....	9
40	50063316	Pressure adj. cartridge .....	1

## Parts List (cont'd)

Key	Part No.	Description	Qty
	50017225	Quad point flip-top head assembly (includes 100–120)	
100	50017276	Pin, spring .....	2
101	50017233	Cam yoke assembly.....	1
102	50061178	Latch (includes 107).....	1
103	50061275	Moving side jaw .....	2
104		Roller bearings .....	12
105		Bearing retainers.....	2
106	50061216	Latch mounting pin .....	1
107		Latch nib .....	1
108	50061240	Lock pin .....	1
111	50061160	Side jaw roller.....	2
112	50060910	Compression spring.....	2
113	50060961	Ball screw.....	1
115	50061224	Snap ring.....	2
116	50061003	Socket head cap screw .....	2
117	50061038	Socket head cap screw .....	2
119	50103458	Set screw .....	1
120	52023662	Head cover.....	2
200	52046673	Quad point pump assembly (includes 1–40).....	1
201	50063812	Piston .....	1
202	50063820	Sleeve .....	1
203		O-ring, piston .....	1
204		Backup ring, piston.....	1
205	50058398	Compression spring.....	1
206	50063405	Dowel pin, 4 x 20 mm .....	1
	50018825	Decal, connector compatibility .....	1
207	50060805	Decal, ID.....	1
208	50019708	Decal, pinch hazard .....	1
209	50060783	Decal, warning .....	1
<b>Kits</b>			
	50061291	Bearing/retainer kit (includes 104,105)	
	50063952	Seal kit (includes 21–26, 37, 38, 203, 204)	
	50063081	10 Test slugs gage	
	50063910	Steel case	