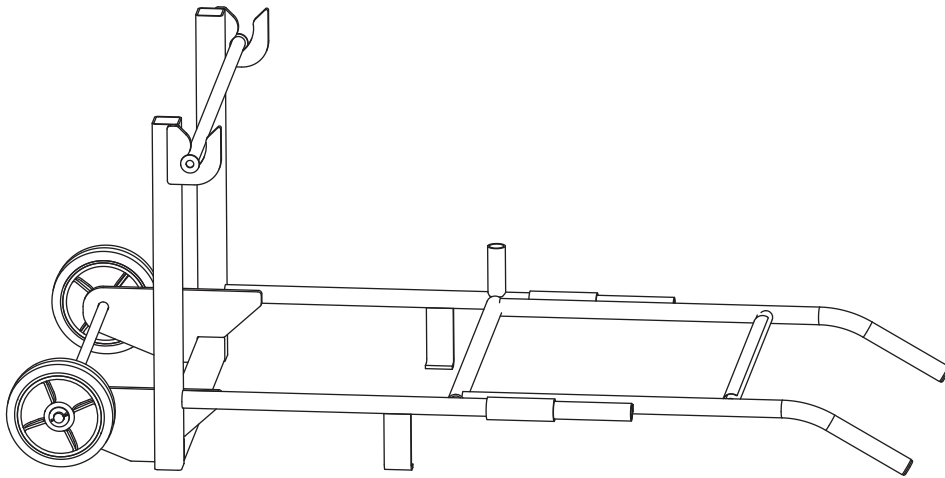


INSTRUCTION MANUAL



916 Cable Reel Transporter



Read and understand all of the instructions and safety information in this manual before operating or servicing this tool.

Register this product at www.greenlee.com

Table of Contents

Description	2
Safety	2
Purpose of this Manual	2
Important Safety Information	3
Illustration and Parts List.....	4
Specifications.....	4
Operation	4

Description

The Greenlee 916 Cable Reel Transporter is intended for transporting and dispensing cable from cable spools. For more information, refer to “Specifications” on page 4.

Safety

Safety is essential in the use of Greenlee tools and equipment. This instruction manual and any markings on the tool provide information for avoiding hazards and unsafe practices related to the use of this tool. Observe all of the safety information provided.

Purpose of this Manual

This manual is intended to familiarize all personnel with the safe operation for the Greenlee tool:

916 Cable Reel Transporter

Keep this manual available to all personnel.

Replacement manuals are available upon request at no charge at www.greenlee.com.

All specifications are nominal and may change as design improvements occur. Greenlee Tools, Inc. shall not be liable for damages resulting from misapplication or misuse of its products.

KEEP THIS MANUAL

IMPORTANT SAFETY INFORMATION



SAFETY ALERT SYMBOL

This symbol is used to call your attention to hazards or unsafe practices which could result in an injury or property damage. The signal word, defined below, indicates the severity of the hazard. The message after the signal word provides information for preventing or avoiding the hazard.

⚠ **DANGER**

Immediate hazards which, if not avoided, **WILL** result in severe injury or death.

⚠ **WARNING**

Hazards which, if not avoided, **COULD** result in severe injury or death.

⚠ **CAUTION**

Hazards or unsafe practices which, if not avoided, **MAY** result in injury or property damage.



⚠ **CAUTION**

Keep hands and feet clear when loading and unloading cable spools. Failure to observe this precaution may result in injury or property damage.

⚠ **CAUTION**

- Make sure bystanders are clear of the work area when loading, unloading, or dispensing cable. Nearby personnel can be injured if transporter falls.
 - Do not use this tool for cable with damaged spools. Damaged spools may not turn freely and may pull over the transporter.
 - Use only on a hard, flat, level surface.
 - Do not exceed the rated capacity of this tool.
- Failure to observe these precautions may result in injury or property damage.

⚠ **CAUTION**

Use this tool for manufacturer's use only. Use other than that which is described in this manual may result in injury or property damage.



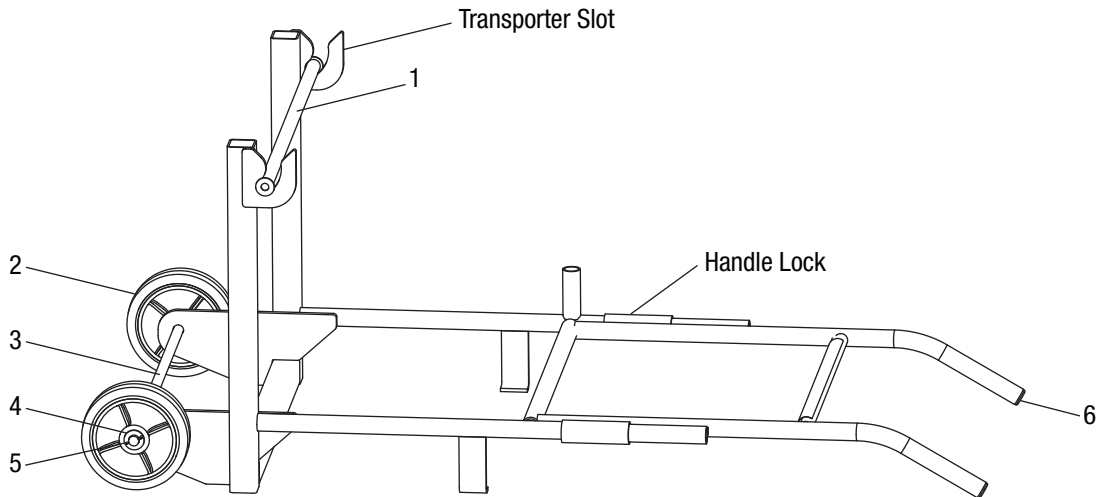
⚠ **CAUTION**

Read and understand all of the instructions and safety information in this manual before operating or servicing this tool.

Failure to observe this precaution may result in injury or property damage.

Note: Keep all decals clean and legible, and replace when necessary.

Illustration



Specifications

Capacity: Reels of cable or BX up to 25" (635 mm) wide and 40" (1016 mm) in diameter. Maximum total reel weight: 300 lb (136 kg).

Service Information for Earlier Models

Use wheel kit 90524667 for models prior to August 2012.

Operation

1. Position the spindle through the center of the spool.
2. Guide the transporter slots onto the spindle as shown above.
3. Lift the spool and transport.

Note: Be sure to steady transporter with foot as forks are lowered to release and lift loads.

4. To dispense cable, place the transporter in the horizontal position as shown above.

Note: Handle may pivot and lock in vertical position.

Parts List

Key	Part No.	Description	Qty
1	50330357	Spool spindle	1
2		Wheel	2
3		Axle, \varnothing 3/4 x 31.80	1
4		Washer	2
5		Rue ring, #34	2
6		Plug, round	2

Kits

52064330	Wheel kit (includes items 2, 4, and 5)
52064331	Axle kit (includes items 3 and 5)