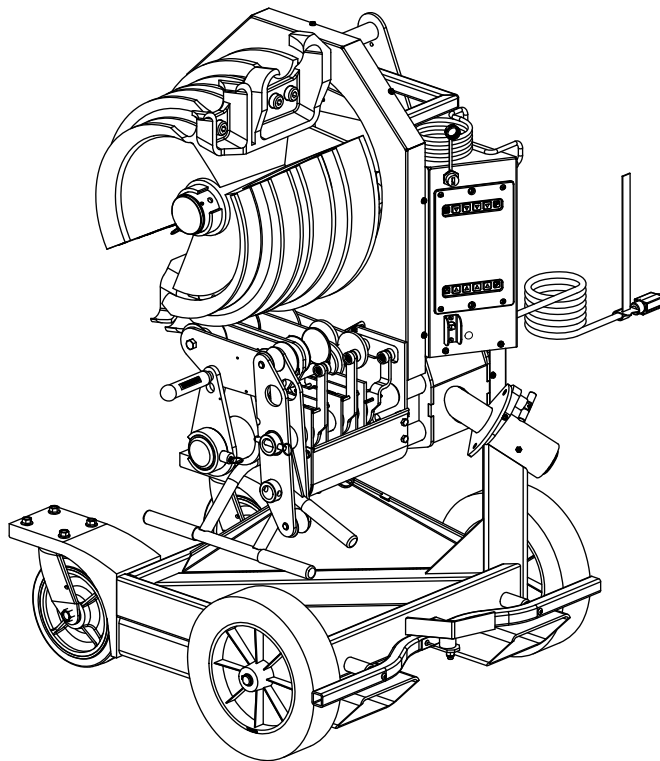


INSTRUCTION MANUAL



Español.....	33
Français.....	61

855GX IntelliBENDER® Electric Bender



Read and understand all of the instructions and safety information in this manual before operating or servicing this tool.

Register this product at www.greenlee.com

Table of Contents

Description	2
Safety	2
Purpose of this Manual	2
Important Safety Information	3-5
Grounding Instructions	6
Specifications	6
Identification	7
Features	8
Transporting Bender and Pivoting Bending Head	9
Setup	10
Operation	10-19
Manually Selecting Conduit Type and Size	12
Basic Programmed Bending	12
Fully Programmed Bending	13-15
Load File from USB	16
BendWorks™ Software Troubleshooting	17-18
Squeeze Adjustment	19
Optional PVC-Coated Conduit Bending	19
Illustrated Bending Glossary	20
Bending Instructions	21-22
Additional Bending Instructions	23-25
Additional Bending Tables	26-29
Maintenance	30-32

Description

The Greenlee 855GX IntelliBENDER® Electric Bender is intended to bend 1" to 2" conduit and pipe. This bender has the capability to accommodate the following types of conduit and pipe:

- Electrical Metallic Tubing
- Intermediate Metallic Conduit
- Rigid Conduit
- Aluminum Rigid
- PVC-Coated Rigid Conduit
- Schedule 40 Pipe
- Stainless Steel Rigid

The 855GX includes a shoe to bend EMT, IMC, and rigid conduit. In addition, shoes and roller supports are available for bending PVC-coated conduit.

Safety

Safety is essential in the use and maintenance of Greenlee tools and equipment. This instruction manual and any markings on the tool provide information for avoiding hazards and unsafe practices related to the use of this tool. Observe all of the safety information provided.

Purpose of this Manual

This manual is intended to familiarize all personnel with the safe operation and maintenance procedures for the Greenlee 855GX Electric Bender.

Keep this manual available to all personnel.

Replacement manuals are available upon request at no charge at www.greenlee.com.



Do not discard this product or throw away!

For recycling information, go to www.greenlee.com.

All specifications are nominal and may change as design improvements occur. Greenlee Tools, Inc. shall not be liable for damages resulting from misapplication or misuse of its products.

IntelliBENDER and BendWorks are registered trademarks of Greenlee Tools, Inc.

KEEP THIS MANUAL

IMPORTANT SAFETY INFORMATION



SAFETY ALERT SYMBOL

This symbol is used to call your attention to hazards or unsafe practices which could result in an injury or property damage. The signal word, defined below, indicates the severity of the hazard. The message after the signal word provides information for preventing or avoiding the hazard.

⚠ DANGER

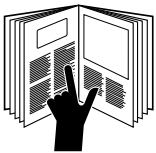
Immediate hazards which, if not avoided, **WILL** result in severe injury or death.

⚠ WARNING

Hazards which, if not avoided, **COULD** result in severe injury or death.

⚠ CAUTION

Hazards or unsafe practices which, if not avoided, **MAY** result in injury or property damage.



⚠ DANGER

Read and understand all of the instructions and safety information in this manual before operating or servicing this tool.

Failure to observe this warning will result in severe injury or death.



⚠ DANGER

Do not use this tool in a hazardous environment. Hazards include flammable liquids, gases, or other materials. Using this tool in a hazardous environment can result in a fire or explosion.

Failure to observe this warning will result in severe injury or death.

⚠ WARNING

Electric shock hazard:



- Inspect the power cord before use. Repair or replace the cord if damaged.
- Connect the power cord to a 120 volt, 20 amp receptacle on a ground fault protected circuit only. Refer to "Grounding Instructions."
- Do not modify the power cord or plug.
- Disconnect the unit from power before servicing.

Failure to observe this warning could result in severe injury or death.

⚠ WARNING

For continued protection against risk of fire and electric shock, replace **ONLY** with same manufacturer, type, and rating of fuse. Refer to the "Maintenance" section of this manual.

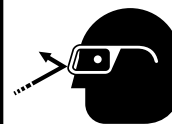
Failure to observe this warning could result in severe injury or death.



⚠ WARNING

- Do not use in dangerous environment. Do not use power tools in damp or wet locations, or expose them to rain. Keep work area well lighted.
- Do not immerse the pendant switch in water or any other liquid.

Failure to observe these warnings could result in severe injury or death.




⚠ WARNING


Always use safety glasses. Everyday glasses only have impact resistant lenses; they are **NOT** safety glasses. When using in dusty environment, use face or dust mask.

Failure to wear eye protection could result in serious eye injury from flying debris.


IMPORTANT SAFETY INFORMATION

	<p style="text-align: center;">⚠ WARNING</p> <ul style="list-style-type: none"> Keep guards in place and in working order. Remove any tools from bender before operating. Form habit of checking to see that all tools are removed from bender before turning it on. <p>Failure to observe these warnings could result in severe injury or death.</p>
---	--

<p>⚠ WARNING</p>
<ul style="list-style-type: none"> Reduce the risk of unintentional starting. Make sure switch is in off position before plugging in. Never leave tool running unattended. Turn power off. Do not leave tool until it comes to a complete stop. Disconnect tools before servicing and when changing accessories such as shoes, rollers, and the like. Accidental start-up could result in serious injury. <p>Failure to observe these warnings could result in severe injury or death.</p>

	<p style="text-align: center;">⚠ WARNING</p> <p>Extension cords:</p> <ul style="list-style-type: none"> Use only three-wire, 12 AWG extension cords that have three-prong grounding-type plugs and three-hole receptacles that accept the tool's plug. Do not use extension cords that are longer than 30 m (100'). Repair or replace damaged extension cords. <p>Failure to observe these warnings could result in severe injury or death.</p>
--	---

<p>⚠ WARNING</p>
<ul style="list-style-type: none"> Never stand on tool. Serious injury could occur if the tool is tipped. Do not overreach. Keep proper footing and balance at all times. <p>Failure to observe these warnings could result in severe injury or death.</p>

	<p style="text-align: center;">⚠ WARNING</p> <p>Pinch points:</p> <ul style="list-style-type: none"> Keep hands away from bending shoe, rollers, and conduit when bender is in use. Support conduit when unloading. Conduit can become loose and fall if not properly supported. <p>Failure to observe these warnings could result in severe injury or death.</p>
---	--

<p>⚠ WARNING</p>
<p>Adjust fork spacing to match fork tubes on bender. Ensure brake is engaged before inserting forks into fork tubes.</p> <p>Failure to observe this warning could result in severe injury or death.</p>

<p>⚠ CAUTION</p>
<ul style="list-style-type: none"> Select the appropriate conduit size and type before bending. Select the appropriate shoe groove and support roller for the type and size of conduit before bending. Do not bend conduit over 96 degrees. Overbending could result in the other shoe hook colliding with the conduit. <p>Failure to observe these precautions may result in injury or property damage.</p>

IMPORTANT SAFETY INFORMATION

⚠ CAUTION

- Conduit moves rapidly as it is bent. The path of the conduit must be clear of obstructions. Be sure clearance is adequate before starting the bend.
- Wear proper apparel. Do not wear loose clothing, gloves, neckties, rings, bracelets, or other jewelry which may get caught in moving parts. Nonslip footwear is recommended. Wear protective hair covering to contain long hair.
- Do not force rollers or alter tool. It will do the job better and safer at the rate for which it was designed.
- Use right tool. Do not force tool or attachment to do a job for which it was not designed.
- Use this tool for the manufacturer's intended purpose only. Use other than that which is instructed in this manual can result in injury or property damage.

Failure to observe these precautions may result in injury or property damage.

⚠ CAUTION

- Keep work area clean. Cluttered areas and benches invite accidents.
- Keep children away. All visitors should be kept safe distance from work area.
- Make workshop kid proof with padlocks, master switches, or by removing starter keys.

Failure to observe these precautions may result in injury or property damage.


⚠ CAUTION

- Inspect the bender before use. Replace worn, damaged, or missing parts with Greenlee replacement parts. A damaged or improperly assembled component could break and strike nearby personnel.
- Maintain tools with care. Keep tool clean for best and safest performance. Follow instructions for lubricating and changing accessories.
- Check damaged parts. Before further use of the tool, a guard or other part that is damaged should be carefully checked to determine that it will operate properly and perform its intended function. Check for alignment of moving parts, binding of moving parts, breakage of parts, mounting, and any other conditions that may affect its operation. A guard or other part that is damaged should be properly repaired or replaced.
- Use recommended accessories. Consult the instruction manual for recommended accessories. The use of improper accessories may cause risk of injury to persons.
- Some bender parts and accessories are heavy and may require more than one person to lift and assemble.

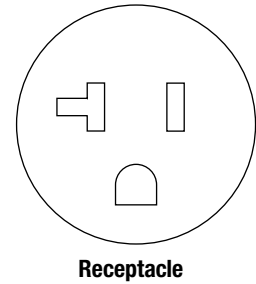
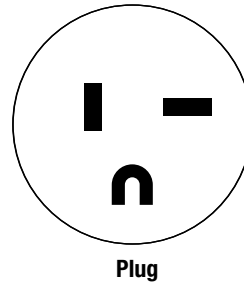
Failure to observe these precautions may result in injury or property damage.

Note: Keep all decals clean and legible, and replace when necessary.

Grounding Instructions

	<p>⚠ WARNING</p>
	<p>Electric shock hazard:</p> <ul style="list-style-type: none"> • Do not modify the plug provided with the tool. • Connect this tool to a grounded receptacle on a 20 amp ground fault protected circuit. <p>Failure to observe these warnings could result in severe injury or death.</p>

20 Amp/120 Volt Plug and Receptacle



This tool must be grounded. In the event of a malfunction or breakdown, an electrical ground provides a path of least resistance for the electric current. This path of least resistance is intended to reduce the risk of electric shock.

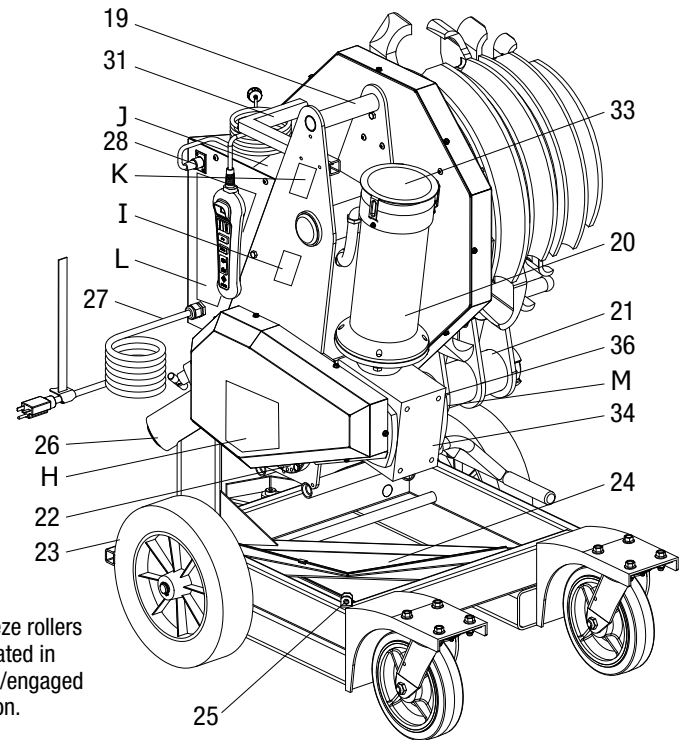
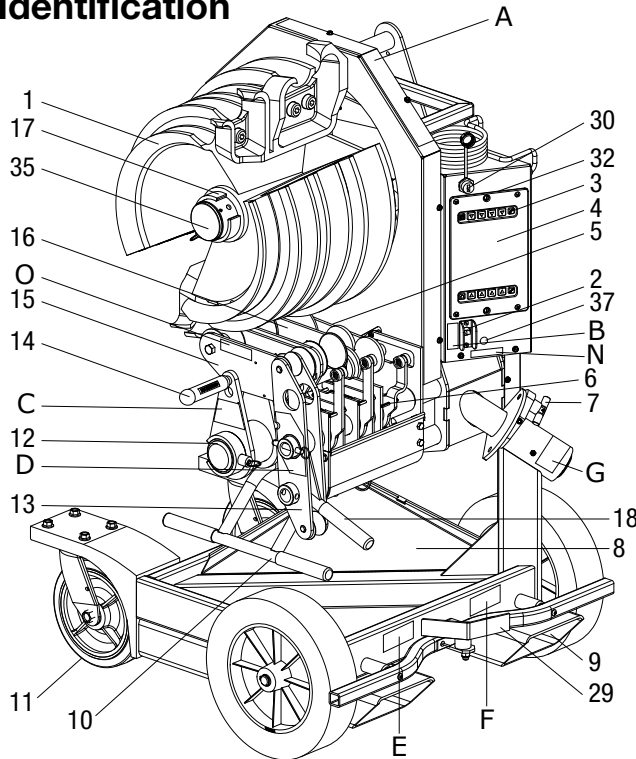
This tool's electric cord has a grounding conductor and a grounding plug as shown. Do not modify the plug. Connect the plug to a corresponding GFCI-protected receptacle that is properly installed and grounded in accordance with all national and local codes and ordinances.

Do not use an adapter.

Do not modify the plug provided. If it will not fit the outlet, have the proper outlet installed by a qualified electrician. Improper connection of the equipment-grounding conductor can result in a risk of electric shock. The conductor with insulation having an outer surface that is green with or without yellow stripes is the equipment-grounding conductor. If repair or replacement of the electric cord or plug is necessary, do not connect the equipment-grounding conductor to a live terminal. Check with a qualified electrician or service personnel if the grounding instructions are not completely understood, or if in doubt as to whether the tool is properly grounded.

Specifications

Height (vertical bending position).....	117.1 cm (46.1")
Width	74.7 cm (29.4")
Depth (vertical bending position).....	84 cm (33.0")
Mass/Weight (bender with shoes and roller supports).....	230 kg (507 lb)
Power Supply	120 VAC, 20 amp GFCI-protected receptacle
Operating Conditions	
Temperature	-20 °C to 49 °C (-5 °F to 120 °F)
Relative Humidity	0% to 98%
Capacity	1" to 2" conduit, schedule 40 pipe

Identification

Features

1. 1" to 2" shoe for EMT/IMC/rigid conduit
2. Main power (On-Off) switch/circuit breaker
3. Programmable bending selector buttons
4. LCD backlit display
5. 2" roller support
6. Conduit size determination trip lever
7. Bending head pivoting detent lock
8. Storage area
9. Fork tube
10. Transport handle
11. Swivel casters
12. Roller support retainer
13. 1" roller support
14. Roller engagement handle
15. 1-1/4" roller support
16. 1-1/2" roller support
17. Shoe retainer
18. Lower pivot handle
19. Hoist lifting bar
20. Motor
21. Roller support
22. Squeeze adjuster
23. Rear wheels
24. Storage lid
25. Storage lock tab
26. Bending head pivot

27. Power cord with tie strap
28. Pendant receptacle
29. Brake
30. USB port
31. Upper pivot handle
32. LCD shield
33. Motor debris guard
34. Gearbox
35. Absolute encoder
36. Squeeze roller release lever
37. Fuse holder

Decals

- A. Bending
- B. Circuit breaker
- C. Engage rollers
- D. 1" EMT/IMC roller
- E. Brake
- F. Fork tube
- G. Pivot
- H. Squeeze
- I. Identification
- J. Instruction
- K. Lifting
- L. Warning
- M. Support release
- N. Fuse warning
- O. Raise rollers

Features

- Single shoe bending of 1" to 2" EMT, IMC, and rigid conduit.
- 1/2" to 2" PVC-coated conduit bending capability with optional shoe group.
- Four large wheels for easy transportability.
- Waist level working height.
- Patented roller system automatically adjusts between IMC and EMT conduit.
- Patent pending conduit size and type sensing system allows for quick loading and bending to desired angle.
- No homing or initial setup required—just load conduit and bend.
- Bender automatically compensates for springback—simply bend to the desired angle.
- Squeeze adjustment allows for variations in conduit.
- Bright, adjustable contrast LCD display for easy programmable bending input and dimensional illustrations for making marks on conduit.
- Programmable memory will stop bender at any programmed angle.
- Common angles preset with one-touch selection.
- Digital display shows bend angle on pendant.
- Computer will provide alignment mark dimensions for stubs, kicks, offsets, three- and four-bend saddles, and U-bends for any height, length, and angle. Programmed for transfer to other 855GX benders. Programmed bends can also be uploaded to bender from bends programmed on a computer. Bends can be saved on thumb drive through USB port.
- Programmed for transfer to other 855GX benders.
- Programmed bends can also be uploaded to bender from bends programmed on a computer.
- Bends can be saved on thumb drive through USB port.
- Removable patent pending pendant prevents unauthorized use of bender. Pendant includes cord strain relief and strong rare earth magnets for holding on steel surfaces.
- Lockable storage area for pendant, instruction manual, etc.
- Lifting bar provided for easy hoisting.
- Fork tubes provided for easy forklift mobility.
- Adjustable height handle for easy and comfortable mobility.
- Rear wheel brake to securely keep bender in place during use.
- Quick release retainers for bending shoe and rollers.
- Quick release lock pin to easily pivot bender between vertical and horizontal positions.

Transporting Bender and Pivoting Bending Head

Refer to the “Identification” section of this manual.

To transport the bender on the ground:

1. Pivot the bending head to the horizontal bending position.
2. Push down on the lower pivot handle (18) to remove the preload from the detent pin while pulling the detent pin (7) out.
3. Rotate the bending head as shown below until it locks in the horizontal position.
4. Remove the handle locking pins and raise the handle to the desired height.
5. Reverse steps 1 through 4 to return the bending head to its vertical position.

To transport the bender with a forklift:

Insert the forks into the fork tubes (9) and lift.

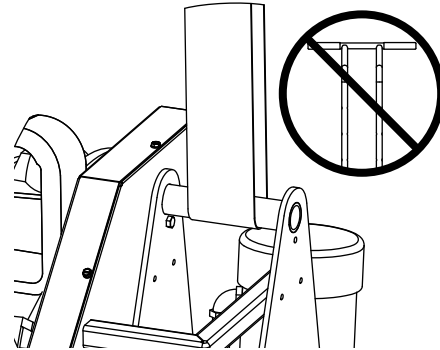
WARNING

Adjust fork spacing to match fork tubes on bender. Ensure brake is engaged before inserting forks into fork tubes.

Failure to observe this warning could result in severe injury or death.

To transport the bender with a crane:

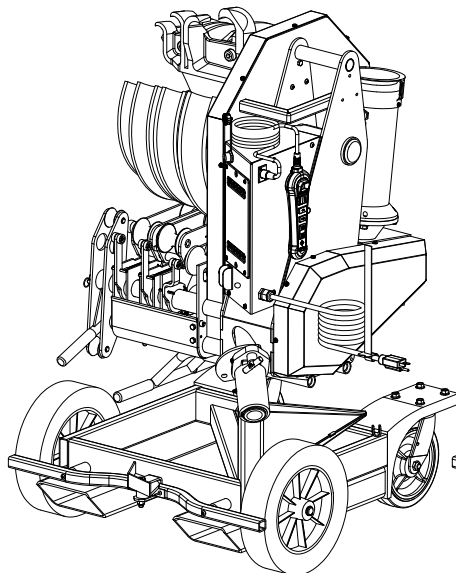
1. Pivot the bending head to the vertical bending position.
2. Confirm that the shoe and roller support retainers (12, 17) are in place and locked.
3. Use a sling around the lifting bar (19) to support the full weight. **DO NOT USE HANDLES.** Lift only with the head in the vertical position.



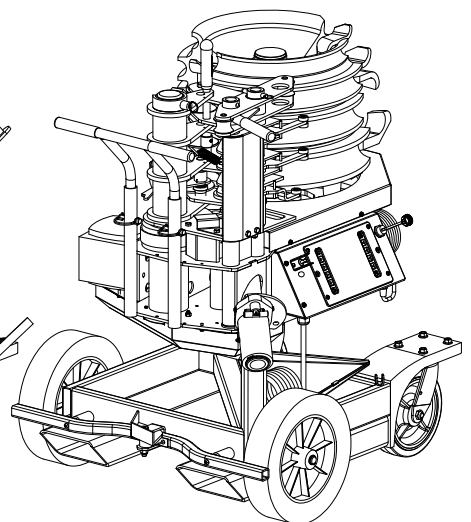
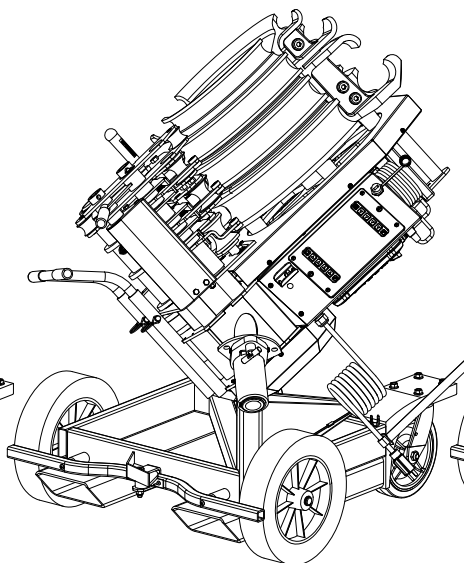
To transport the bender on a trailer

1. Pivot the bender to the horizontal bending position.
2. Position the bender on the trailer so the bender wheels are parallel to the trailer axle. By doing so, the bender will resist movement if the trailer has sudden starts and stops.
3. Place blocks against the bender wheels to resist movement.
4. Attach straps around the bender shoe and hooks to secure the bender to the trailer. Tighten the straps to secure the bender from moving.

NOTE: the bender wheel brake will not adequately secure the bender for transportation.



Vertical bending position



Horizontal bending position


Setup


	⚠ WARNING
	<p>Always use safety glasses. Everyday glasses only have impact resistant lenses; they are NOT safety glasses. When using in dusty environment, use face or dust mask.</p> <p>Failure to wear eye protection could result in serious eye injury from flying debris.</p>


Refer to the “Identification” section of this manual.

1. Position the bender so that there is room to load conduit and engage the rear wheel brake bar.
2. Place the bender in the desired vertical or horizontal bending position.
3. Plug the bender into a grounded 20 amp outlet.
4. Plug the pendant switch into the pendant receptacle (28).

Operation

	⚠ DANGER
	<p>Do not use this tool in a hazardous environment. Hazards include flammable liquids, gases, or other materials. Using this tool in a hazardous environment can result in a fire or explosion.</p> <p>Failure to observe this warning will result in severe injury or death.</p>

	⚠ WARNING
	<p>Electric shock hazard:</p> <ul style="list-style-type: none"> • Inspect the power cord before use. Repair or replace the cord if damaged. • Connect the power cord to a 120 volt, 20 amp receptacle on a ground fault protected circuit only. Refer to “Grounding Instructions.” • Do not modify the power cord or plug. • Disconnect the unit from power before servicing. <p>Failure to observe this warning could result in severe injury or death.</p>

	⚠ WARNING
	<p>Pinch points:</p> <ul style="list-style-type: none"> • Keep hands away from bending shoe, rollers, and conduit when bender is in use. • Support conduit when unloading. Conduit can become loose and fall if not properly supported. <p>Failure to observe these warnings could result in severe injury or death.</p>

⚠ WARNING
<p>Disconnect tools before servicing and when changing accessories such as shoes, rollers, and the like. Accidental start-up could result in serious injury.</p> <p>Failure to observe this warning could result in severe injury or death.</p>

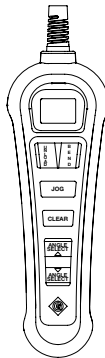
Operation (cont'd)
CAUTION

Wear proper apparel. Do not wear loose clothing, gloves, neckties, rings, bracelets, or other jewelry which may get caught in moving parts. Nonslip footwear is recommended. Wear protective hair covering to contain long hair.

Failure to observe this precaution may result in injury or property damage.

Refer to the "Identification" section of this manual.

1. Turn on the main power switch (2).
2. Use the **BEND** or **UNLOAD** button to orient the shoe so that the hooks of the conduit type to be bent are around the 7 o'clock (approximately -5°) position. (Silver hooks are for EMT; green hooks are for IMC and rigid.)

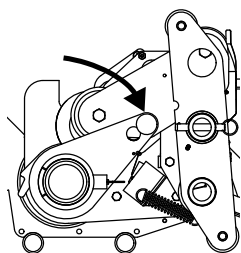


The bender automatically stops at the load position (approximately -5°). To continue past the load position, release the **BEND** or **UNLOAD** button, and then repress the **BEND** or **UNLOAD** button as needed.

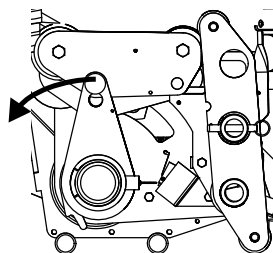
The bender actively prevents operation at certain angles while the roller supports are up. This is done to prevent the shoe hooks from damaging the roller supports. When the roller supports are up and the hooks are close to or within the roller supports, the pendant will blink "UP" twice. When the pendant blinks "UP", the bender can often be moved in the opposite direction by pressing **BEND** or **UNLOAD**. If the bender will not move in any direction and continues to blink "UP", then the roller supports must be fully retracted before the bender will move.

Note: Bender will actively prevent user from changing machine settings outside of -10 and -2 degrees.

3. Load the conduit so that the bending mark is aligned with the front edge of the hook.
4. Bend the conduit.
 - a. For 1-1/4", 1-1/2", and 2" EMT or IMC conduit, use the roller engagement handle (14) to raise the rollers from the retracted position to the upright (fully engaged) position, as shown below.

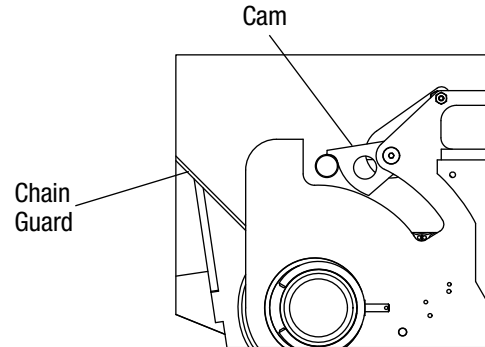


Squeeze Rollers Retracted

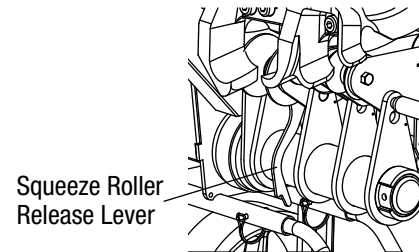


Squeeze Rollers Engaged

Note: Lifting the tail of a long stick of conduit will aid in engaging the rollers. The cam should hold the rollers in the upright position, as shown below.



Note: To retract the rollers without bending once the cam locks them in place, pump the lever below the 2" split roller several times. If this does not release the cam, lift the tail of the conduit while pumping the release lever. Otherwise, advance the shoe forward just enough for the cam to release, and then unload.




- b. For all other conduit, press **BEND** while making sure the bend mark stays at the front of the hook until the conduit contacts the tail roller. If bending 1" IMC, rotate the support roller so that the IMC roller is up.
5. Continue to press **BEND** until reaching the desired bend angle shown in the pendant display. The displayed angle in the pendant and on the LCD display will be the angle of the bend after the conduit springs back (subject to variations in conduit). Use **BEND** or **JOG** to sneak up on an angle. **JOG** will advance the shoe about $1/2^\circ$.
 6. Press **UNLOAD** to free the conduit.
 7. Twist the conduit to release it from the hook and remove it from the shoe.

Operation (cont'd)

Manually Selecting Conduit Type and Size

The 855GX can automatically detect EMT, IMC, and rigid conduit as well as determine 1", 1-1/4", 1-1/2", and 2" conduit sizes. When bending with these types of conduit, using auto mode is recommended. However, in some cases you may want to manually set the bender for the type of conduit being used (for example, PVC-coated rigid conduit).

To manually set the bender, follow these steps:

1. From the home screen, press the button next to "SET UP".
2. From the setup screen, press the button next to "MAN SET".
3. Select the conduit type to be used. (Selecting "AUTO" returns the bender to auto mode, where the type is automatically determined.)
4. Press **NEXT** to advance to the screen to select the conduit size.
5. Select the conduit size to be used. (Selecting "AUTO" returns the bender to auto mode, where the size is automatically determined.)
6. Press **NEXT** to go back to the setup screen, or  to go back to the home screen.

Basic Programmed Bending

You can preset an angle into the computer memory and the bender will automatically stop at that angle.

Note: Angle will be with springback factored in.

1. Select the angle.
 - a. Use **ANGLE SELECT▲** or **ANGLE SELECT▼** on the pendant to change the programmed angle. A single press changes the angle by 1°. Holding down an **ANGLE SELECT** key changes the angle rapidly in 5° increments. Pressing **CLEAR** resets the programmed angle back to 0°. This angle will stay in the memory until **CLEAR** is pressed, a new angle is selected, or the power is turned off.
 - b. Use one of the common angles displayed in the LCD display (4). To select an angle by this method, press the selector button (3) next to the desired angle shown in the display. This angle will stay in the memory until **CLEAR** is pressed, a new angle is selected, or the power is turned off.

The programmed angle will remain in the pendant display for about two seconds and then revert to the current shoe position. The programmed angle can also be viewed on the LCD home screen in the "STOP ANGLE" box.

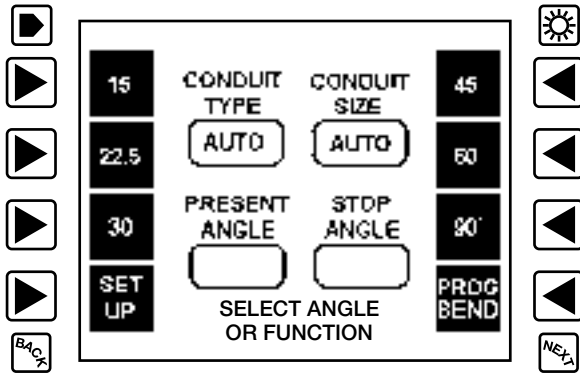
2. Press **BEND** until the bender stops. The bender may slow down before reaching the selected angle. This is normal. When the bender stops at the programmed bend, the pendant display blinks twice with the programmed angle. To continue a bend, reset the programmed angle with the **CLEAR** button, or increase the programmed angle to be greater than the actual shoe angle with the **ANGLE SELECT▲** button.

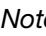
Operation (cont'd)

Fully Programmed Bending

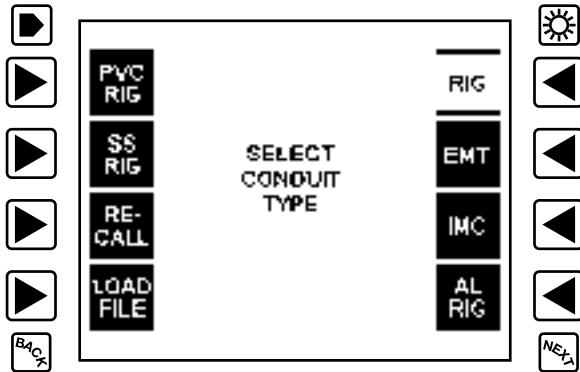
The computer can also be used to help lay out bends.

1. Press the button next to "PROG BEND" to start programming a bend.



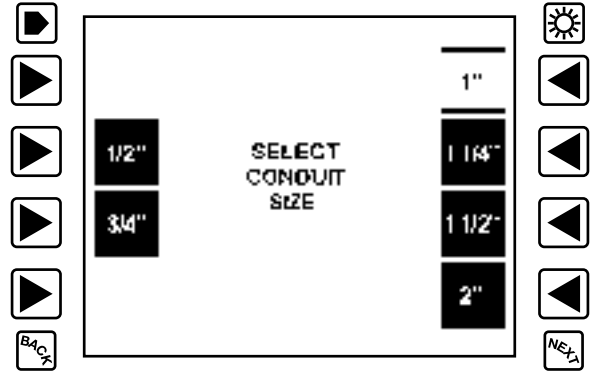
Note: Press the home button  at any time to return to the home screen shown above.

2. Press the button next to the type of conduit displayed in the LCD display that you will be using; or press the button next to "LOAD FILE" to retrieve a saved bend from a USB thumb drive. (See page 16) Press **NEXT** to proceed or **BACK** to return to the previous screen.



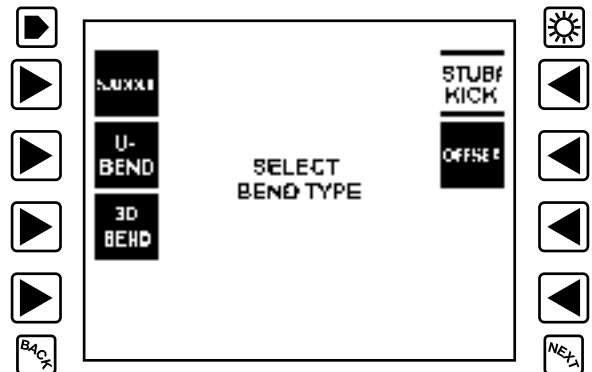
Refer to the "Load File from USB" section after "Fully Programmed Bending" for instructions on loading saved bends.

3. Press the button next to the size of conduit displayed in the LCD display that you will be using. Press **NEXT** to proceed or **BACK** to return to the previous screen.



Note: "1/2" and "3/4" are displayed only when "PVC RIG" conduit type is selected in step 2.

4. Press the button next to the type of bend that you are going to make.
 - a. Select "STUB/KICK" for stubs or kicks.
 - b. Selecting "OFFSET" and **NEXT** will display a new window from which you can choose whether you want the length to be from the end of the conduit to the start of the first bend or to the end of the second bend.
 - c. Selecting "SADDLE" and **NEXT** will display a new window from which you can choose a three-bend or four-bend saddle.
 - d. Select "U-BEND" for back-to-back 90° U-bends.



5. Press **NEXT** to proceed or **BACK** to return to the previous screen.

Operation (cont'd)

Fully Programmed Bending (cont'd)

6. Input the dimensions of the bend.

Stubs and kicks:

Press the button next to "HT" (height) if it is not already highlighted with an asterisk. Use the buttons next to $+\uparrow$ and $-\downarrow$ to increase or decrease the height until it is to the desired value. A single press of the button will change the value by 1/8". Holding the button down will rapidly change the values. Press the button next to "A" (angle). Select the desired angle as above. The angle changes in 1/2° increments.

Offsets:

Press the button next to "HT" (height) if it is not already highlighted with an asterisk. Use the buttons next to $+\uparrow$ and $-\downarrow$ to increase or decrease the height until it is to the desired value. A single press of the button will change the value by 1/8". Holding the button down will rapidly change the values. Press the button next to "L" (length). Select the desired length as above. The length changes in 1/8" increments. Press the button next to "A" (angle). Select the desired angle as above. The angle changes in 1/2° increments.

Saddles:

Press the button next to "HT" (height) if it is not already highlighted with an asterisk. Use the buttons next to $+\uparrow$ and $-\downarrow$ to increase or decrease the height until it is to the desired value. A single press of the button will change the value by 1/8". Holding the button down will rapidly change the values. Press the button next to "L" (length). Select the desired length as above. The length changes in 1/8" increments. Press the button next to "A" (angle). Select the desired angle as above. The angle changes in 1/2° increments.

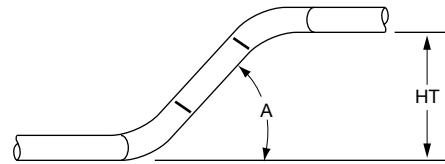
U-bends:

Press the button next to "HT" (height) if it is not already highlighted with an asterisk. Use the buttons next to $+\uparrow$ and $-\downarrow$ to increase or decrease the height until it is to the desired value. A single press of the button will change the value by 1/8". Holding the button down will rapidly change the values. Press the button next to "L" (length). Select the desired length as above. The length changes in 1/8" increments.

3D bends:

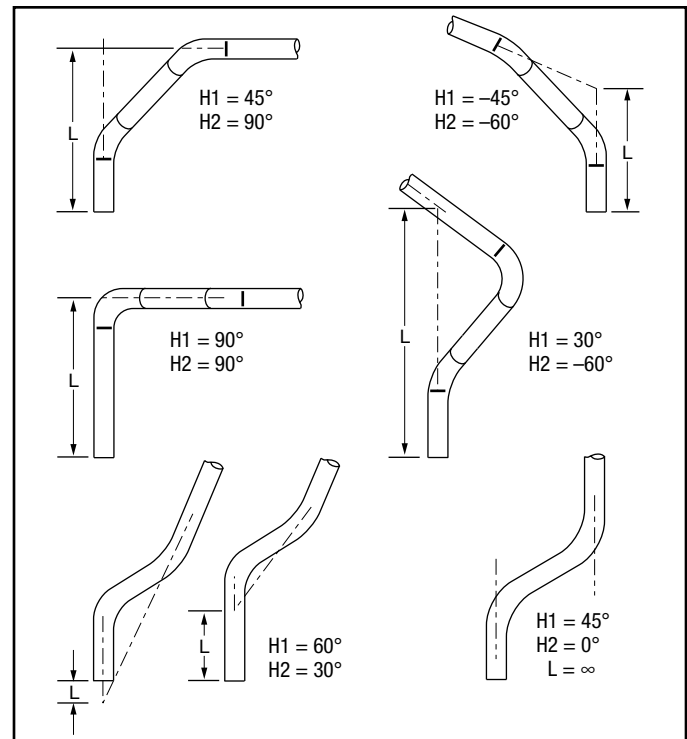
A 3D bend is the same as an offset bend, except there is an additional change of direction right and/or left. Input the desired height by pressing the button next to "HT" if it is not already highlighted with an asterisk. Use the buttons next to $+\uparrow$ and $-\downarrow$ to increase or decrease the height value. A single

press of the button will change the height by 1/8". Holding the button down will rapidly change the values. Select the rise angle by pressing the button next to "A". Select the angle value as above. The angle changes in 1/2° increments.



Select the horizontal bend angles by pressing the button next to "H1" and adjusting the value as above; repeat for the "H2" button. The horizontal angles are as viewed from directly above. Refer to the "Top Views of Bends" illustration below for examples. Positive angles represent bends to the right. Negative angles represent bends to the left.

Select the length by pressing the button next to "L". Select the value for "L" as above. All values for "L" are to the centerline of the conduit. The length is defined as where the sight lines of the first and third legs intersect each other to the end of the conduit, as viewed from directly above. Refer to the following illustrations for examples.

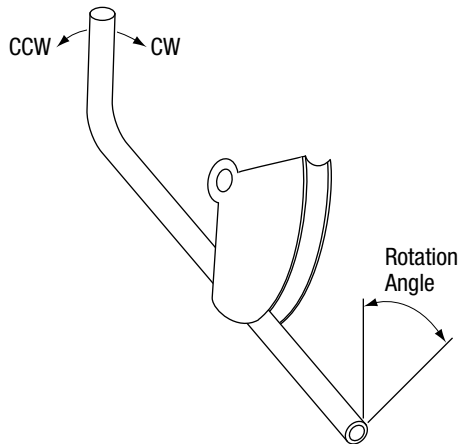


Top Views of Bends

Operation (cont'd)

Fully Programmed Bending (cont'd)

Steps 7–10 are the same for a 3D bend as for an offset bend with the following exception: After making the first bend, you will be instructed to rotate the conduit by some angle counterclockwise or clockwise. Clockwise means pushing the bent leg to the back of the bender while counterclockwise means pushing the bent leg toward the front of the bender.



Note: Placing a protractor on the tail end of the conduit before making the first bend will aid in knowing how far to rotate the conduit.

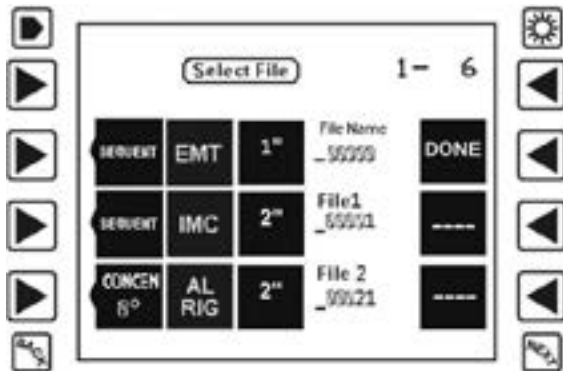
7. Press **NEXT** to proceed or **BACK** to return to the previous screen.
8. Place a tape measure and place marks at the displayed distances.
9. Press “SAVE” to save the programmed bend to the bender’s local memory; or press “SAVE USB” to save the programmed bend to a USB thumb drive; or press **NEXT** to proceed making the programmed bend; or press **BACK** to return to the previous screen.
10. Load conduit and line up the front of the hook with the first mark. Press **BEND** until the bender stops. The display will show both the stop angle and the actual bend angle. Unload the conduit and reload aligning up to the second mark. Press **BEND** until the bender stops. Repeat as necessary until the display shows “BENDING COMPLETE”.

Operation (cont'd)

Load File from USB

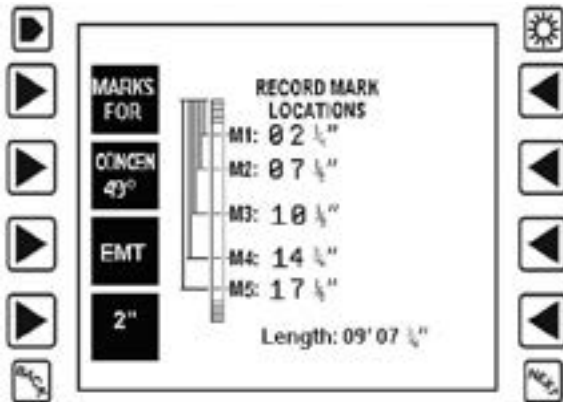
1. Press the button next to the bend you want to begin. The number of pages appears on the top right. To scroll through the list of saved bends, press the **NEXT** and **BACK** buttons.

Pressing **BACK** on page 1 returns you to the previous screen.

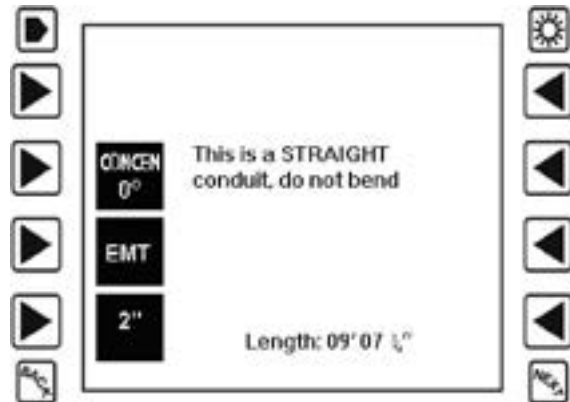


Notes:

- Straight conduits will be labeled as "CONCEN 0°".
 - Completed bends will be labeled as "DONE".
2. A summary appears of all bends with up to five bends per page. On the bottom is the total length of the conduit. Press the **NEXT** button to continue to individual bend instructions, or press the **BACK** button to return to the file select screen.

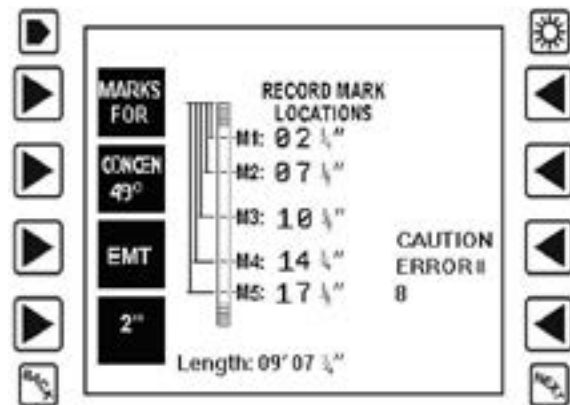


Note: A bend with the label "CONCEN 0°" indicates there are no bends to be made. Select **BACK** to return to the file select screen.



BendWorks™ Software Troubleshooting

When BendWorks™ software encounters any of the errors in the table on the next page, it outputs an error code to a CSV file. Each error has an Error # and Error Code.



Operation (cont'd)
BendWorks™ Software Troubleshooting

Process Errors		Error Code	Explanation of Error
1	Bend Length Plus Head Tail Exceeds Default Nominal Length	ErrorCode.BendLengthPlusHeadTailExceedsDefaultNominalLength, 1	Length of Bend + D + X + Tail cannot be greater than default nominal length.
2	Bend Radius Too Big	ErrorCode.BendRadiusTooBig, 2	Bend radius cannot be too big.
3	Bend Spans Multiple Segments	ErrorCode.BendSpansMultipleSegments, 4	A bend cannot span multiple segments of conduit.
4	Concentric And Normal Bend	ErrorCode.ConcentricAndNormalBend, 8	Cannot have concentric/segment bend and normal bend in the same conduit.
5	Concentric Bend Radius Too Small	ErrorCode.ConcentricBendRadiusTooSmall, 16	The concentric bend radius cannot be too small.
45	Conduit Length Too Small Between Bends	ErrorCode.ConduitLengthTooSmallBetweenBends, 17592186044416	The conduit length between two bends cannot be less than coupling length.
6	Segment Has More Than 5 Bends	ErrorCode.SegmentHasMoreThan5Bends, 32	A segment of conduits cannot have more than 5 bends with the exception of concentric arcs.
7	Short Segment Length	ErrorCode.ShortSegmentLength, 64	Conduit shorter than preferred minimum length.
8	Total Segment Length Exceeds Default Nominal Length	ErrorCode.TotalSegmentLengthExceedsDefaultNominalLength, 128	The conduit run length exceeds the default nominal length.

Warning Errors			Explanation of Error
23	Mark Prefix Used	ErrorCode.MarkPrefixUsed, 4194304	The mark prefix has been used.
24	Total Angle Of Bends Exceed 360	ErrorCode.TotalAngleOfBendsExceed360, 8388608	Total bend angles exceed 360 degrees.
25	Total Angle Of Bends Exceeds Max Total Angle	ErrorCode.TotalAngleOfBendsExceedsMaxTotalAngle, 16777216	Total bend angles exceed maximum allowed bend angle.
26	Total Length Of Conduit Run Exceeds Max	ErrorCode.TotalLengthOfConduitRunExceedsMax, 33554432	Total length of conduit run exceeds the maximum allowed length.

Operation (cont'd)
BendWorks™ Software Troubleshooting (cont'd)

Preprocess Errors			Explanation of Error
36	Bend Angle Too Big	ErrorCode.BendAngleTooSmall, 34359738368	Bend angle cannot be bigger than 90 degrees.
37	Bend Angle Too Small	ErrorCode.BendRadiusTooSmall, 68719476736	Bend angle cannot be smaller than 5 degrees.
39	Distance Too Small From End Of Last Bend To End Of Pipe	ErrorCode.DistanceTooSmallFromEndOfLastBendToEndOfPipe, 274877906944	The distance from the end of the last bend to the end of the run cannot be shorter than the Coupling Depth.
40	Distance Too Small From Start Of Pipe To Start Of First Bend	ErrorCode.DistanceTooSmallFromStartOfPipeToStartOfFirstBend, 549755813888	The distance from the start of the run to the start of the first bend cannot be shorter than the Coupling Depth.
41	Loop Run	ErrorCode.LoopRun, 1099511627776	The conduit run is in a loop.
42	Multiple Benders Not Supported	ErrorCode.MultipleBendersNotSupported, 2199023255552	Multiple benders not supported.
43	Type Not Supported	ErrorCode.TypeNotSupported, 4398046511104	The conduit type is not supported.
44	Back to Back Bends	ErrorCode.BacktoBackBends, 8796093022208	Conduit Run cannot have back to back bends. Distance between two bends cannot be 0

Informational Messages			Explanation of Error
55	No Valid Split From Either Direction	ErrorCode.NoValidSplitFromEitherDirection, 18014398509482000	No valid split from either direction.

Operation (cont'd)

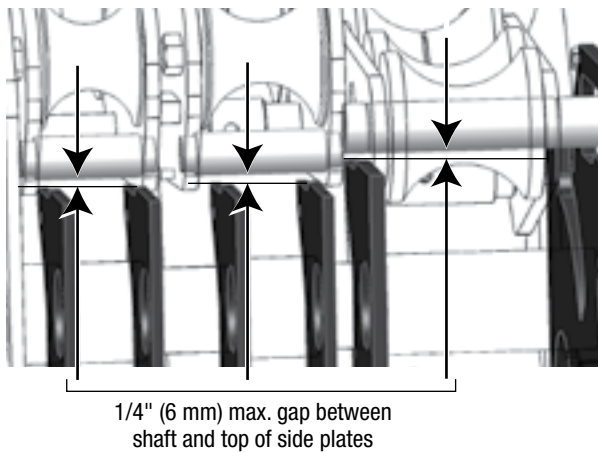
Squeeze Adjustment

Squeeze is factory set and should not normally need to be adjusted.

When bending 1-1/4", 1-1/2", or 2" EMT or IMC, the amount of squeeze applied to the conduit can be adjusted to compensate for conduit variations. The squeeze is set properly if the support shaft does not contact the support plates while bending EMT, as shown by the shaded parts below. The shaft should not be more than approximately 1/4" (6 mm) above the lower flat surface.

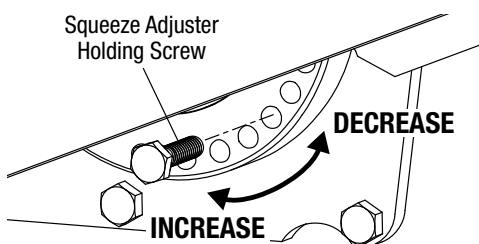
Squeeze can be checked by loading EMT conduit and advancing the shoe until conduit starts to bend. If support shafts touch plates or are more than 1/4" (6 mm) from plates, unload conduit and adjust squeeze as described.

- If shaft is touching, **increase** squeeze.
- If shaft is farther than 1/4" (6 mm), **decrease** squeeze.



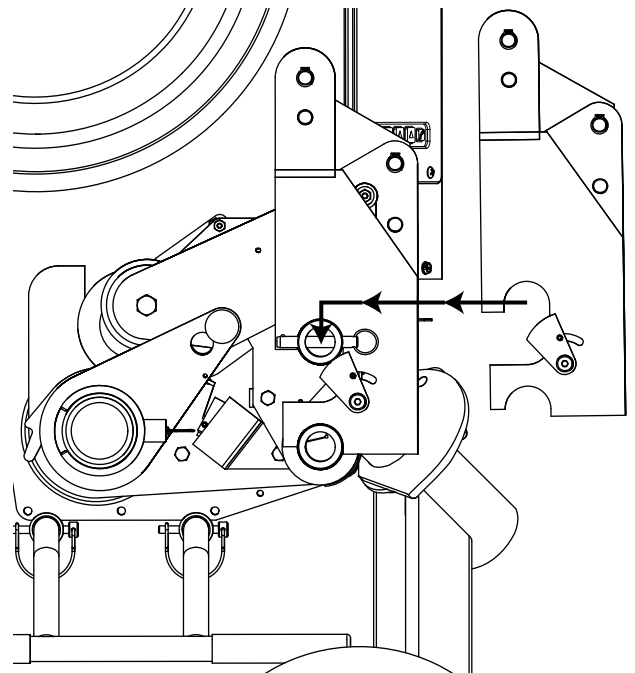
To adjust the squeeze:

1. Unplug the bender.
2. Remove screw (refer to illustration below).
3. Rotate the squeeze adjuster:
 - If the shaft is contacting the support plates, **increase** the squeeze by rotating the squeeze adjuster clockwise.
 - If the shaft is too high above the support plates, **decrease** the squeeze by rotating the squeeze adjuster counterclockwise.



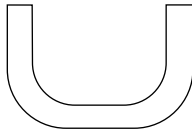
Optional PVC-Coated Conduit Bending

1. Disconnect power to the bender.
2. Position the bending head in the vertical position.
3. Remove the shoe retainer by pulling out on the detent pin ring, and slide the retainer off the spindle.
4. Pull out and remove the shoe.
5. **For 1-1/2" and 2" PVC-coated conduit:**
Install shoe and begin bending. No roller changes are required.
5. **For 1/2" to 1-1/4" PVC-coated conduit:**
Proceed to step 6 and refer to illustration below.
6. Remove the 1" roller support and lower the pivot handle.
7. Install the PVC-coated conduit roller support by sliding it between the existing rollers from the right side of the bender and dropping it down so it hooks on the bender frame roller support tubes.
8. Install 1/2" to 1-1/4" shoe and follow PVC bending instructions.



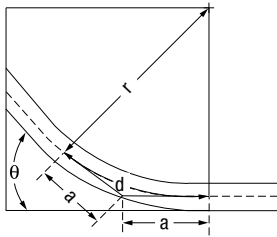
1/2" to 1-1/4" PVC-Coated Rigid Roller Support Installation

Illustrated Bending Glossary



back-to-back bend — any U-shaped bend formed by two parallel 90° bends with a straight section of conduit or pipe between the bends.

center-to-center distance — the distance between the successive bends that make up an offset or a three-bend saddle.



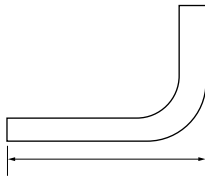
developed length — the actual length of pipe that will be bent; refer to distance “d” in the illustration at left.

gain — the difference between the straight-line distance ($a + a$) and the shorter radial distance, (d) where:

q = angle of bend

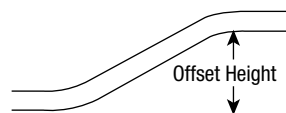
r = the centerline bending radius of the bending shoe

kick — single bend of less than 90°

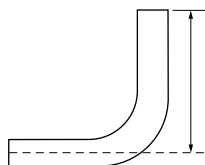


leg length — the distance from the end of a straight section of conduit or pipe to the bend; measured from the end to the outside edge of the conduit or pipe.

offset bend — two opposite bends with the same degree of bend; used to avoid an obstruction.



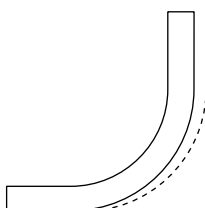
offset height — the distance between the two legs of an offset bend, measured perpendicular to the two legs; also called amount of offset and depth of offset.



rise — the distance from the end of a straight section of conduit or pipe to the bend; measured from the end to the center line of the conduit or pipe. Also called stub or stub-up.

saddle — a three-bend or four-bend combination; used to avoid an obstruction.

shrink — the amount of conduit “lost” when laying out an offset bend working toward an obstruction.



springback — the amount, measured in degrees, that a conduit or pipe tends to straighten after being bent.

Bending Instructions

90° STUBS

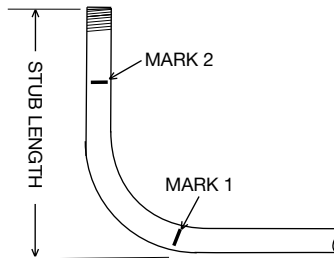
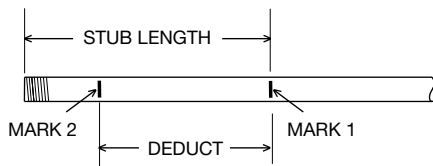
1. Measure the length of the required stub.
2. Refer to the Minimum Stub Length formula on the Deduct Table. The required stub must be equal to or longer than the Minimum Stub Length.
3. Measure and mark the stub length on the conduit. This is Mark 1. Subtract the Deduct from this mark and make a new mark. This is Mark 2.
4. Align Mark 2 with the front edge of the hook and bend the conduit.

Note: The shoe bends to 90° maximum.

Deduct Table

CONDUIT SIZE		1	1-1/4	1-1/2	2
DEDUCT	STEEL RIGID	11-7/8	14-3/8	15-3/8	16-5/8
	EMT	11-7/8	14-3/8	15-3/8	16-7/8
	IMC	11-7/8	14-3/8	15-3/8	16-5/8
	ALUM. RIGID	11-7/8	14-3/8	15-3/8	16-5/8
MINIMUM STUB LENGTH = DEDUCT PLUS 2 INCHES					

Figures are approximate



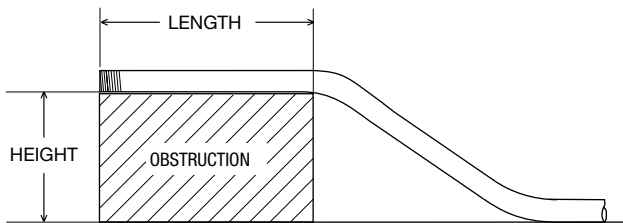
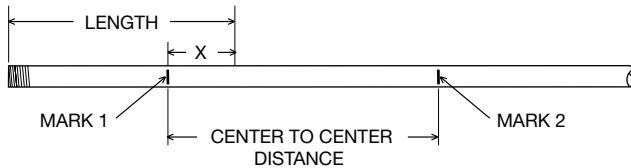
Bending Instructions (cont'd)

Offsets

1. Measure the height and length of the obstruction. Select the angle to be used.
2. Refer to the Offset Table. The height of the obstruction must be equal to or greater than the minimum offset.
3. Refer to the X Table to find the X dimension. Refer to the Offset Table to find the center-to-center distance.

Note: If the center-to-center distance is not shown, calculate it by using the multipliers shown in the Offset Table.

4. Mark the conduit as shown.
5. Insert the conduit into the bender. Align Mark 1 with the front edge of the hook and bend the conduit.
6. Align Mark 2 with the front edge of the hook. Without removing the conduit from the bender, rotate the conduit 180°. Make the second bend.



Offset Table

OFFSET	Finished Angle					
	15°		30°		45°	
	Max. Conduit Size	Center-to-Center	Max. Conduit Size	Center-to-Center	Max. Conduit Size	Center-to-Center
2	1-1/4	7-3/4				
4	2	15-7/16	1	7-15/16		
6	2	23-3/16	2	11-15/16		
8	2	30-15/16	2	15-15/16	1	11-5/16
10	2	38-5/8	2	19-15/16	2	14-1/8
12	2	46-3/8	2	23-15/16	2	16-15/16
14	2	54-1/16	2	27-15/16	2	19-13/16
16	2	61-13/16	2	31-15/16	2	22-5/8
18	2	69-9/16	2	35-15/16	2	25-7/16
20	2	77-1/4	2	39-15/16	2	28-1/4
22	2	85	2	43-15/16	2	31-1/8

CENTER-TO-CENTER DISTANCE = OFFSET HEIGHT x MULTIPLIER					
OFFSET ANGLE	10°	15°	22-1/2°	30°	45°
MULTIPLIER	5.8	3.9	2.6	2.0	1.4

Figures are approximate

X Table

CONDUIT SIZE	1	1-1/4	1-1/2	2
"X"	4-1/16	5-1/16	5-13/16	6-1/8

Figures are approximate

Centerline Bending Radii

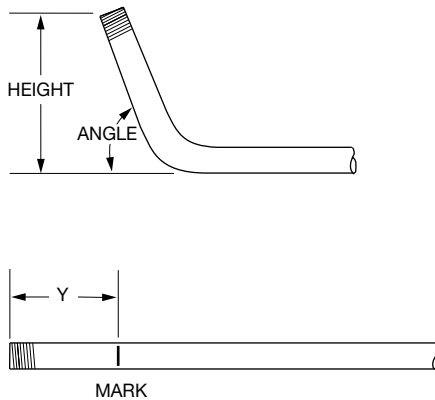
SHOE SIZE	EMT		IMC/RIGID	
	in	mm	in	mm
1	7	177.8	6-15/16	176.2
1-1/4	8-13/16	223.8	8-3/4	222.3
1-1/2	8-3/8	212.7	8-1/4	209.6
2	9-1/4	235.0	9	228.6

Additional Bending Instructions

The following drawings and bending tables are intended to provide the information necessary to accomplish the most common types of bends. The bending tables contain conduit marking information.

STUBS

1. Select the size and type of conduit. Determine the height of stub and the angle to be used.
2. Find the table that corresponds to the size and type of conduit selected in Step 1.
3. Under the column labeled ANGLE, find the appropriate angle.
4. Find the row labeled Y. In the row at the top of the page, find the height (H) of the stub. The number shown at the intersection of row Y and column H is the distance Y. Place the bending mark Y inches from the end of the conduit.
5. Bend the conduit.



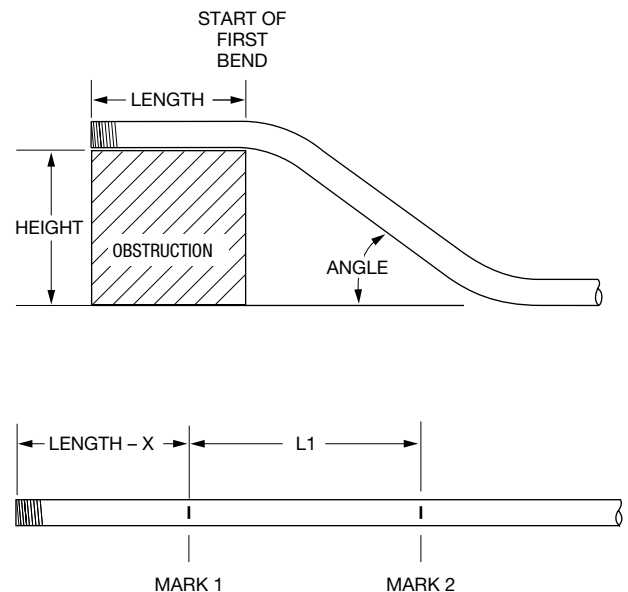
OFFSETS

An offset is used to route the conduit around an obstruction. To make an offset, two equal bends are required. The distance between the two bends is the center-to-center distance.

When working past an obstruction, it is necessary to determine the location of the first bend. The center-to-center distance is then used to determine the location of the second bend. When working toward an obstruction, it is necessary to determine the location of the second bend. The center-to-center distance is then used to determine the location of the first bend.

Working Past an Obstruction

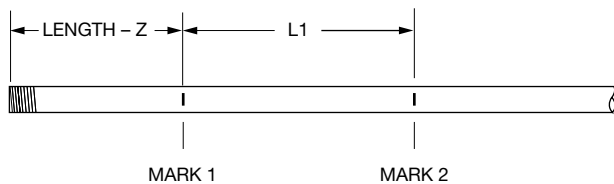
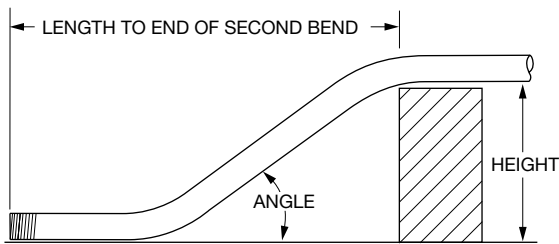
1. Select the size and type of conduit. Measure the height of the obstruction and the distance labeled LENGTH. Determine the angle to be used.
2. Find the table that corresponds to the size and type of conduit selected in Step 1.
3. To the right of the size and type of conduit, find the dimension labeled X. Subtract X from LENGTH. Place the first bending mark this distance from the end of the conduit.
4. Under the column labeled ANGLE, find the appropriate angle. Find the row labeled L1. In the row at the top of the page, find the height (H) of the offset. The number shown at the intersection of row L1 and column H is L1. Place the second bending mark L1 inches from the first bending mark.
5. Bend the conduit.



Additional Bending Instructions (cont'd)

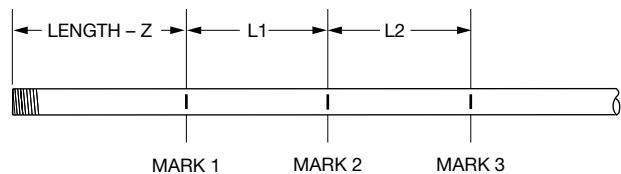
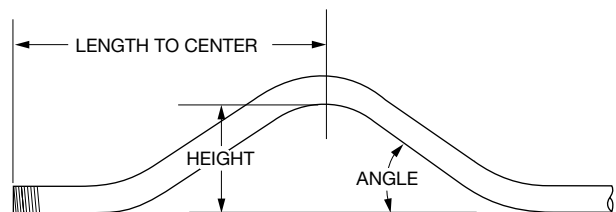
Working Toward an Obstruction

1. Select the size and type of conduit. Measure the height of the obstruction and the distance labeled **LENGTH TO END OF SECOND BEND**. Determine the angle to be used.
2. Find the table that corresponds to the size and type of conduit selected in Step 1.
3. Under the column labeled **ANGLE**, find the appropriate angle. Find the row labeled **Z**. In the row at the top of the page, find the height (**H**) of the offset. The number shown at the intersection of the **Z** row and the **H** column is **Z**. Subtract **Z** from **LENGTH TO THE END OF SECOND BEND**. Place the first bending mark this distance from the end of the conduit.
4. In the same column, find the row labeled **L1**. Place the second bending mark **L1** inches from the first bending mark.
5. Bend the conduit.



THREE-BEND SADDLE

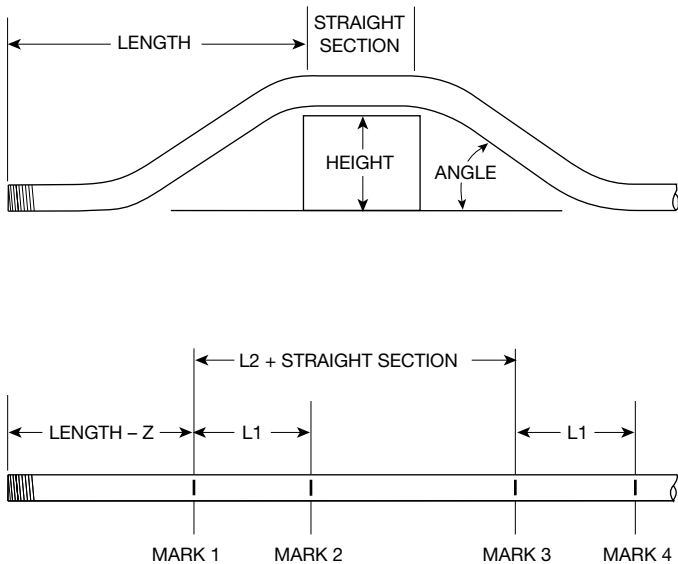
1. Select the size and type of conduit. Measure the height of the obstruction and the distance from the end of the conduit to the center (**LENGTH TO CENTER**) of the bend. Determine the angle to be used.
2. Find the table that corresponds to the size and type of conduit selected in Step 1.
3. Under the column labeled **ANGLE**, find the appropriate angle. Find the row labeled **Z**. In the row at the top of the page, find the height (**H**) of the offset. The number shown at the intersection of the **Z** row and the appropriate **H** column is **Z**. Subtract **Z** from the **LENGTH TO CENTER**. Place the first bending mark this distance from the end of the conduit.
4. In the same column, find the row labeled **L1**. Place the second bending mark **L1** inches from the first bending mark.
5. In the same column, find the row labeled **L2**. Place the third bending mark **L2** inches from the second bending mark.
6. Bend the conduit.



Additional Bending Instructions (cont'd)

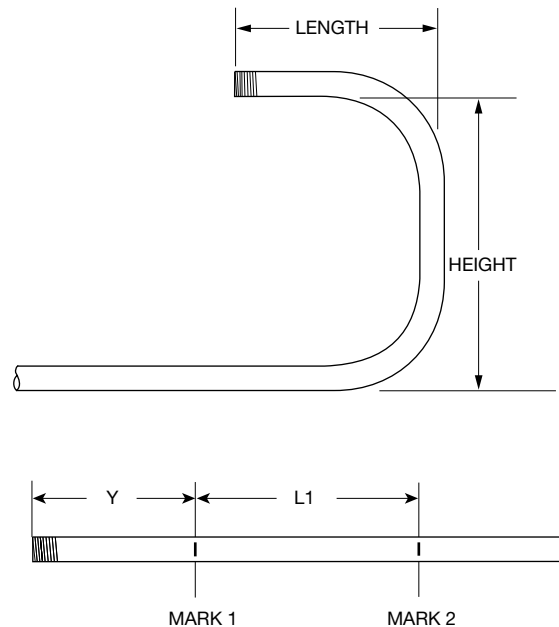
FOUR-BEND SADDLE

1. Select the size and type of conduit. Measure the height of the obstruction, the distance labeled **LENGTH**, and the distance labeled **STRAIGHT SECTION**. Determine the angle to be used.
2. Find the table that corresponds to the size and type of conduit selected in Step 1.
3. Under the column labeled **ANGLE**, find the appropriate angle. Find the row labeled **Z**. In the row at the top of the page, find the height (**H**) of the offset. The number shown at the intersection of the **Z** row and the appropriate **H** column is **Z**. Subtract **Z** from the **LENGTH**. Place the first bending mark this distance from the end of the conduit.
4. In the same column, find the row labeled **L1**. Place the second bending mark **L1** inches from the first bending mark.
5. In the same column, find the row labeled **L2**. Add **L2** to the **STRAIGHT SECTION**. Place the third bending mark this distance from the first bending mark.
6. Make the final bending mark **L1** inches from the third bending mark.
7. Bend the conduit.



U-BENDS

1. Select the size and type of conduit. Determine the **LENGTH** and the **HEIGHT**.
2. Find the table that corresponds to the size and type of conduit selected in Step 1.
3. Under the column labeled **ANGLE**, find 90° .
4. Find the row labeled **Y**. In the row at the top of the page, find the height (**H**) that corresponds to the **LENGTH**. The number shown at the intersection of the **Y** row and the appropriate **H** column is the distance **Y**. Place the bending mark **Y** inches from the end of the conduit.
5. Find the row labeled **L1**, and go to the right to find the height (**H**) that corresponds to the **HEIGHT**.
6. The number shown at the intersection of the **L1** row and the appropriate **H** column is **L1**. Place the second bending mark **L1** inches from the first mark.
7. Bend the conduit.



Additional Bending Tables

	DIM	ANGLE	2"	4"	6"	8"	10"	12"	15"	18"	24"	36"
1" EMT												
	Y	15	0.49	8.22	15.94	23.67	31.40	39.13	50.72	62.31	85.49	131.85
	L1	15	7.72	15.44	23.17	30.90	38.63	46.35	57.94	69.54	92.72	139.08
	L2	15	9.61	17.34	25.06	32.79	40.52	48.25	59.84	71.43	94.61	140.98
	Z	15	13.41	20.87	28.34	35.80	43.27	50.73	61.93	73.12	95.51	140.30
MINIMUM H = 1.54												
	Y	22.5		3.45	8.68	13.91	19.13	24.36	32.20	40.04	55.72	87.07
	L1	22.5	5.19	10.42	15.64	20.87	26.09	31.32	39.16	47.00	62.68	94.04
	L2	22.5	8.03	13.26	18.48	23.71	28.93	34.16	42.00	49.84	65.52	96.88
	Z	22.5	11.75	16.57	21.40	26.23	31.06	35.89	43.13	50.37	64.86	93.83
MINIMUM H = 2.65												
	Y	30		0.86	4.86	8.86	12.86	16.86	22.86	28.86	40.86	64.86
	L1	30	3.91	7.91	11.91	15.91	19.91	23.91	29.91	35.91	47.91	71.91
	L2	30	7.70	11.70	15.70	19.70	23.70	27.70	33.70	39.70	51.70	75.70
	Z	30	11.38	14.84	18.31	21.77	25.24	28.70	33.90	39.09	49.49	70.27
MINIMUM H = 3.96												
	Y	45			0.63	3.46	6.28	9.11	13.35	17.60	26.08	43.05
	L1	45			8.17	11.00	13.83	16.66	20.90	25.14	33.63	50.60
	L2	45			13.85	16.68	19.51	22.34	26.58	30.83	39.31	56.28
	Z	45			16.03	18.03	20.03	22.03	25.03	28.03	34.03	46.03
MINIMUM H = 7.09												
	Y	60				0.35	2.66	4.97	8.43	11.90	18.83	32.68
	L1	60					10.77	13.08	16.54	20.01	26.94	40.79
	L2	60					18.34	20.65	24.12	27.58	34.51	48.37
	Z	60					18.17	19.32	21.05	22.78	26.25	33.18
MINIMUM H = 10.73												
	Y	90						0.15	3.15	6.15	12.15	24.15
	L1	90								14.90	20.90	32.90
	L2	90								26.26	32.26	44.26
	Z	90								18.51	18.51	18.51
MINIMUM H = 18.51												
1-1/4" EMT												
	Y	15		6.43	14.15	21.88	29.61	37.34	48.93	60.52	83.70	130.06
	L1	15	7.71	15.44	23.17	30.90	38.62	46.35	57.94	69.53	92.72	139.08
	L2	15	9.95	17.67	25.40	33.13	40.86	48.58	60.17	71.77	94.95	141.31
	Z	15	14.70	22.16	29.63	37.09	44.56	52.02	63.22	74.41	96.80	141.59
MINIMUM H = 1.87												
	Y	22.5		1.79	7.02	12.25	17.47	22.70	30.54	38.38	54.06	85.41
	L1	22.5	5.18	10.41	15.64	20.86	26.09	31.31	39.15	46.99	62.67	94.03
	L2	22.5	8.53	13.76	18.98	24.21	29.44	34.66	42.50	50.34	66.02	97.38
	Z	22.5	13.21	18.04	22.87	27.70	32.52	37.35	44.59	51.84	66.32	95.29
MINIMUM H = 3.21												
	Y	30			3.22	7.22	11.22	15.22	21.22	27.22	39.22	63.22
	L1	30		7.90	11.90	15.90	19.90	23.90	29.90	35.90	47.90	71.90
	L2	30		12.36	16.36	20.36	24.36	28.36	34.36	40.36	52.36	76.36
	Z	30		16.49	19.95	23.41	26.88	30.34	35.54	40.74	51.13	71.91
MINIMUM H = 4.78												
	Y	45				1.72	4.55	7.38	11.62	15.87	24.35	41.32
	L1	45				10.95	13.78	16.60	20.85	25.09	33.57	50.54
	L2	45				17.64	20.47	23.30	27.54	31.78	40.27	57.24
	Z	45				20.05	22.05	24.05	27.05	30.05	36.05	48.05
MINIMUM H = 8.52												
	Y	60					0.76	3.07	6.54	10.00	16.93	30.79
	L1	60						12.94	16.40	19.87	26.80	40.65
	L2	60						21.87	25.33	28.80	35.72	49.58
	Z	60						21.76	23.49	25.23	28.69	35.62
MINIMUM H = 12.85												
	Y	90							0.73	3.73	9.73	21.73
	L1	90								14.34	20.34	32.34
	L2	90								27.73	33.73	45.73
	Z	90								22.04	22.04	22.04
MINIMUM H = 22.04												

Additional Bending Tables (cont'd)

	DIM	ANGLE	2"	4"	6"	8"	10"	12"	15"	18"	24"	36"
1-1/2" EMT												
	Y	15		5.20	12.93	20.65	28.38	36.11	47.70	59.29	82.47	128.84
	L1	15	7.71	15.44	23.17	30.90	38.62	46.35	57.94	69.53	92.72	139.08
	L2	15	9.97	17.70	25.43	33.15	40.88	48.61	60.20	71.79	94.97	141.34
	Z	15	15.49	22.96	30.42	37.89	45.35	52.81	64.01	75.21	97.60	142.38
MINIMUM H = 2.08												
	Y	22.5		0.70	5.93	11.16	16.38	21.61	29.45	37.29	52.97	84.32
	L1	22.5	5.18	10.41	15.63	20.86	26.09	31.31	39.15	46.99	62.67	94.03
	L2	22.5	8.57	13.79	19.02	24.25	29.47	34.70	42.54	50.38	66.06	97.41
	Z	22.5	14.02	18.85	23.67	28.50	33.33	38.16	45.40	52.64	67.13	96.10
MINIMUM H = 3.52												
	Y	30			2.19	6.19	10.19	14.19	20.19	26.19	38.19	62.19
	L1	30		7.89	11.89	15.89	19.89	23.89	29.89	35.89	47.89	71.89
	L2	30		12.41	16.41	20.41	24.41	28.41	34.41	40.41	52.41	76.41
	Z	30		17.31	20.77	24.23	27.70	31.16	36.36	41.56	51.95	72.73
MINIMUM H = 5.19												
	Y	45				0.75	3.58	6.41	10.65	14.90	23.38	40.35
	L1	45				10.94	13.77	16.60	20.84	25.09	33.57	50.54
	L2	45				17.71	20.54	23.37	27.61	31.85	40.34	57.31
	Z	45				20.90	22.90	24.90	27.90	30.90	36.90	48.90
MINIMUM H = 9.12												
	Y	60						2.12	5.58	9.04	15.97	29.83
	L1	60						12.93	16.39	19.86	26.79	40.64
	L2	60						21.95	25.42	28.88	35.81	49.67
	Z	60						22.64	24.37	26.10	29.57	36.50
MINIMUM H = 13.61												
	Y	90								2.75	8.75	20.75
	L1	90								14.30	20.30	32.30
	L2	90								27.84	33.84	45.84
	Z	90								23.00	23.00	23.00
MINIMUM H = 23.00												
2" EMT												
	Y	15		3.79	11.51	19.24	26.97	34.70	46.29	57.88	81.06	127.42
	L1	15	7.71	15.44	23.17	30.90	38.62	46.35	57.94	69.53	92.71	139.08
	L2	15	10.22	17.94	25.67	33.40	41.12	48.85	60.44	72.03	95.22	141.58
	Z	15	16.14	23.60	31.07	38.53	46.00	53.46	64.66	75.85	98.25	143.03
MINIMUM H = 2.25												
	Y	22.5			4.74	9.97	15.20	20.42	28.26	36.10	51.78	83.14
	L1	22.5	5.18	10.40	15.63	20.86	26.08	31.31	39.15	46.99	62.67	94.02
	L2	22.5	8.93	14.16	19.38	24.61	29.84	35.06	42.90	50.74	66.42	97.78
	Z	22.5	14.79	19.62	24.45	29.28	34.10	38.93	46.18	53.42	67.90	96.87
MINIMUM H = 3.81												
	Y	30			1.08	5.08	9.08	13.08	19.08	25.08	37.08	61.08
	L1	30		7.88	11.88	15.88	19.88	23.88	29.88	35.88	47.88	71.88
	L2	30		12.89	16.89	20.89	24.89	28.89	34.89	40.89	52.89	76.89
	Z	30		18.21	21.67	25.14	28.60	32.07	37.26	42.46	52.85	73.64
MINIMUM H = 5.64												
	Y	45					2.47	5.30	9.54	13.78	22.27	39.24
	L1	45				10.90	13.73	16.56	20.80	25.04	33.53	50.50
	L2	45				18.41	21.24	24.07	28.31	32.55	41.04	58.01
	Z	45				22.08	24.08	26.08	29.08	32.08	38.08	50.08
MINIMUM H = 9.95												
	Y	60						0.91	4.37	7.84	14.76	28.62
	L1	60						12.83	16.29	19.76	26.69	40.54
	L2	60						22.84	26.30	29.77	36.69	50.55
	Z	60						24.12	25.86	27.59	31.05	37.98
MINIMUM H = 14.89												
	Y	90								1.18	7.18	19.18
	L1	90									19.90	31.90
	L2	90									34.91	46.91
	Z	90									25.28	25.28
MINIMUM H = 25.28												

Additional Bending Tables (cont'd)

	DIM	ANGLE	2"	4"	6"	8"	10"	12"	15"	18"	24"	36"
1" IMC, Steel Rigid and Aluminum Rigid												
	Y	15	0.19	7.91	15.64	23.37	31.09	38.82	50.41	62.00	85.19	131.55
	L1	15	7.72	15.44	23.17	30.90	38.63	46.35	57.94	69.54	92.72	139.08
	L2	15	9.59	17.32	25.04	32.77	40.50	48.23	59.82	71.41	94.59	140.96
	Z	15	13.41	20.87	28.34	35.80	43.26	50.73	61.92	73.12	95.51	140.30
MINIMUM H = 1.54												
	Y	22.5		3.25	8.48	13.70	18.93	24.16	32.00	39.84	55.51	86.87
	L1	22.5	5.19	10.42	15.64	20.87	26.09	31.32	39.16	47.00	62.68	94.04
	L2	22.5	8.00	13.23	18.45	23.68	28.90	34.13	41.97	49.81	65.49	96.85
	Z	22.5	11.73	16.56	21.39	26.22	31.05	35.88	43.12	50.36	64.85	93.82
MINIMUM H = 2.64												
	Y	30		0.71	4.71	8.71	12.71	16.71	22.71	28.71	40.71	64.71
	L1	30	3.91	7.91	11.91	15.91	19.91	23.91	29.91	35.91	47.91	71.91
	L2	30	7.66	11.66	15.66	19.66	23.66	27.66	33.66	39.66	51.66	75.66
	Z	30	11.36	14.82	18.29	21.75	25.21	28.68	33.87	39.07	49.46	70.25
MINIMUM H = 3.95												
	Y	45			0.53	3.36	6.19	9.02	13.26	17.50	25.99	42.96
	L1	45			8.18	11.01	13.83	16.66	20.91	25.15	33.63	50.60
	L2	45			13.80	16.63	19.45	22.28	26.52	30.77	39.25	56.22
	Z	45			15.99	17.99	19.99	21.99	24.99	27.99	33.99	45.99
MINIMUM H = 7.06												
	Y	60				0.29	2.60	4.91	8.37	11.83	18.76	32.62
	L1	60					10.78	13.09	16.55	20.02	26.94	40.80
	L2	60					18.27	20.58	24.04	27.51	34.44	48.29
	Z	60					18.09	19.25	20.98	22.71	26.18	33.11
MINIMUM H = 10.67												
	Y	90						0.13	3.13	6.13	12.13	24.13
	L1	90								14.93	20.93	32.93
	L2	90								26.17	32.17	44.17
	Z	90								18.37	18.37	18.37
MINIMUM H = 18.37												
1-1/4" IMC, Steel Rigid and Aluminum Rigid												
	Y	15		6.00	13.72	21.45	29.18	36.90	48.50	60.09	83.27	129.63
	L1	15	7.71	15.44	23.17	30.90	38.62	46.35	57.94	69.53	92.72	139.08
	L2	15	9.93	17.65	25.38	33.11	40.84	48.56	60.16	71.75	94.93	141.29
	Z	15	14.83	22.29	29.76	37.22	44.69	52.15	63.35	74.54	96.93	141.72
MINIMUM H = 1.91												
	Y	22.5		1.46	6.69	11.91	17.14	22.37	30.21	38.05	53.72	85.08
	L1	22.5	5.18	10.41	15.64	20.86	26.09	31.31	39.15	46.99	62.67	94.03
	L2	22.5	8.50	13.73	18.95	24.18	29.41	34.63	42.47	50.31	65.99	97.35
	Z	22.5	13.33	18.16	22.99	27.82	32.64	37.47	44.72	51.96	66.44	95.41
MINIMUM H = 3.25												
	Y	30			2.94	6.94	10.94	14.94	20.94	26.94	38.94	62.94
	L1	30		7.90	11.90	15.90	19.90	23.90	29.90	35.90	47.90	71.90
	L2	30		12.32	16.32	20.32	24.32	28.32	34.32	40.32	52.32	76.32
	Z	30		16.60	20.06	23.53	26.99	30.45	35.65	40.85	51.24	72.02
MINIMUM H = 4.83												
	Y	45				1.50	4.33	7.16	11.40	15.64	24.13	41.10
	L1	45				10.95	13.78	16.61	20.85	25.09	33.58	50.55
	L2	45				17.59	20.42	23.25	27.49	31.73	40.22	57.19
	Z	45				20.14	22.14	24.14	27.14	30.14	36.14	48.14
MINIMUM H = 8.59												
	Y	60					0.57	2.88	6.34	9.81	16.73	30.59
	L1	60						12.95	16.41	19.88	26.80	40.66
	L2	60						21.80	25.26	28.73	35.66	49.51
	Z	60						21.83	23.56	25.29	28.76	35.68
MINIMUM H = 12.90												
	Y	90							0.58	3.58	9.58	21.58
	L1	90								14.37	20.37	32.37
	L2	90								27.65	33.65	45.65
	Z	90								22.04	22.04	22.04
MINIMUM H = 22.04												

Additional Bending Tables (cont'd)

	DIM	ANGLE	2"	4"	6"	8"	10"	12"	15"	18"	24"	36"
1-1/2" IMC, Steel Rigid and Aluminum Rigid												
	Y	15		4.75	12.48	20.21	27.93	35.66	47.25	58.84	82.03	128.39
	L1	15	7.71	15.44	23.17	30.90	38.62	46.35	57.94	69.53	92.72	139.08
	L2	15	9.95	17.68	25.40	33.13	40.86	48.58	60.18	71.77	94.95	141.31
	Z	15	15.62	23.08	30.55	38.01	45.48	52.94	64.14	75.33	97.73	142.51
MINIMUM H = 2.11												
	Y	22.5		0.36	5.59	10.82	16.04	21.27	29.11	36.95	52.63	83.98
	L1	22.5	5.18	10.41	15.64	20.86	26.09	31.31	39.15	46.99	62.67	94.03
	L2	22.5	8.53	13.76	18.98	24.21	29.44	34.66	42.50	50.34	66.02	97.38
	Z	22.5	14.13	18.96	23.79	28.62	33.45	38.27	45.52	52.76	67.24	96.22
MINIMUM H = 3.56												
	Y	30			1.90	5.90	9.90	13.90	19.90	25.90	37.90	61.90
	L1	30		7.90	11.90	15.90	19.90	23.90	29.90	35.90	47.90	71.90
	L2	30		12.36	16.36	20.36	24.36	28.36	34.36	40.36	52.36	76.36
	Z	30		17.41	20.87	24.34	27.80	31.27	36.46	41.66	52.05	72.83
MINIMUM H = 5.24												
	Y	45				0.53	3.36	6.18	10.43	14.67	23.15	40.12
	L1	45				10.95	13.78	16.60	20.85	25.09	33.57	50.54
	L2	45				17.65	20.47	23.30	27.55	31.79	40.27	57.24
	Z	45				20.98	22.98	24.98	27.98	30.98	36.98	48.98
MINIMUM H = 9.18												
	Y	60						1.92	5.39	8.85	15.78	29.64
	L1	60						12.94	16.40	19.87	26.80	40.65
	L2	60						21.87	25.34	28.80	35.73	49.58
	Z	60						22.69	24.42	26.15	29.62	36.54
MINIMUM H = 13.65												
	Y	90								2.61	8.61	20.61
	L1	90								14.34	20.34	32.34
	L2	90								27.74	33.74	45.74
	Z	90								22.97	22.97	22.97
MINIMUM H = 22.97												
2" IMC, Steel Rigid and Aluminum Rigid												
	Y	15		3.46	11.18	18.91	26.64	34.36	45.96	57.55	80.73	127.09
	L1	15	7.71	15.44	23.17	30.90	38.62	46.35	57.94	69.53	92.71	139.08
	L2	15	10.14	17.87	25.60	33.32	41.05	48.78	60.37	71.96	95.14	141.51
	Z	15	16.10	23.56	31.03	38.49	45.95	53.42	64.61	75.81	98.20	142.99
MINIMUM H = 2.23												
	Y	22.5			4.54	9.77	14.99	20.22	28.06	35.90	51.58	82.93
	L1	22.5	5.18	10.40	15.63	20.86	26.08	31.31	39.15	46.99	62.67	94.02
	L2	22.5	8.82	14.05	19.28	24.50	29.73	34.95	42.79	50.63	66.31	97.67
	Z	22.5	14.71	19.54	24.37	29.20	34.02	38.85	46.09	53.34	67.82	96.79
MINIMUM H = 3.78												
	Y	30			0.95	4.95	8.95	12.95	18.95	24.95	36.95	60.95
	L1	30		7.89	11.89	15.89	19.89	23.89	29.89	35.89	47.89	71.89
	L2	30		12.74	16.74	20.74	24.74	28.74	34.74	40.74	52.74	76.74
	Z	30		18.09	21.55	25.02	28.48	31.95	37.14	42.34	52.73	73.52
MINIMUM H = 5.58												
	Y	45					2.43	5.26	9.50	13.74	22.23	39.20
	L1	45				10.91	13.74	16.57	20.81	25.06	33.54	50.51
	L2	45				18.20	21.03	23.86	28.10	32.34	40.83	57.80
	Z	45				21.88	23.88	25.88	28.88	31.88	37.88	49.88
MINIMUM H = 9.81												
	Y	60						0.94	4.40	7.87	14.79	28.65
	L1	60						12.86	16.32	19.79	26.72	40.57
	L2	60						22.58	26.04	29.50	36.43	50.29
	Z	60						23.83	25.56	27.30	30.76	37.69
MINIMUM H = 14.64												
	Y	90								1.34	7.34	19.34
	L1	90									20.02	32.02
	L2	90									34.59	46.59
	Z	90									24.75	24.75
MINIMUM H = 24.27												

Maintenance

Refitting 1" to 2" Combination Shoe

The base 1" to 2" shoe can only be refitted in one position.

1. Slide the shoe onto the spindle and orient it so the EMT hook (silver) is about 90° clockwise of the sprocket spoke with two drive lug holes.
2. Fully slide on the shoe so the drive lugs engage into the sprocket holes.
3. Secure the shoe with the shoe retainer.

Replacing the Fuse

⚠ WARNING

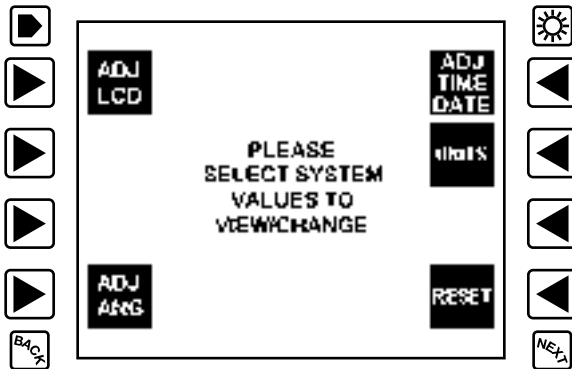
For continued protection against risk of fire and electric shock, replace **ONLY** with same manufacturer, type, and rating of fuse.

Failure to observe this warning could result in severe injury or death.

If the fuse needs to be replaced, use only a Cooper Bussmann GBB-30 Very Fast-Acting fuse, 1/4" x 1-1/4" (6.3 x 32 mm).

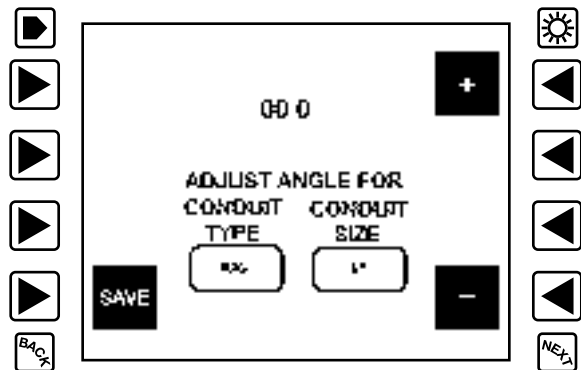
Adjusting the Bender Settings

1. From the home screen, press the button next to "SET UP" to display the screen below.



Note: Bender will actively prevent user from changing machine settings outside of -10 and -2 degrees.

2. From this screen, press the button next to the type of adjustment you want to make:
 - a. "ADJ LCD" displays a screen to change the contrast of the LCD on the bender. Press "+" to increase the contrast; press "-" to decrease the contrast.
 - b. "ADJ TIME DATE" displays a screen to set the time and date as stored in the 855GX. This setting is for the battery-operated real-time clock for the system. This clock is used for setting the time and date stamp when saving files to a USB thumb drive.
 - c. "UNITS" displays a screen to switch from inches to centimeters.
 - d. "RESET" returns the 855GX to its original factory settings, including erasing any locally stored bend programs.
 - e. "ADJ ANG" displays the screen below, which adjusts the angle slightly to correct for the particular conduit being used. Press "+" and "-" to adjust the value. When the desired value is obtained, press "SAVE" to permanently store the value into the bender. The conduit type and size being adjusted appear on the screen. If the conduit type and size shown do not match what you want to adjust the settings for, then either load in that type of conduit for smart auto sensing, or go back and manually set the bender to the particular conduit type and size you want to adjust.



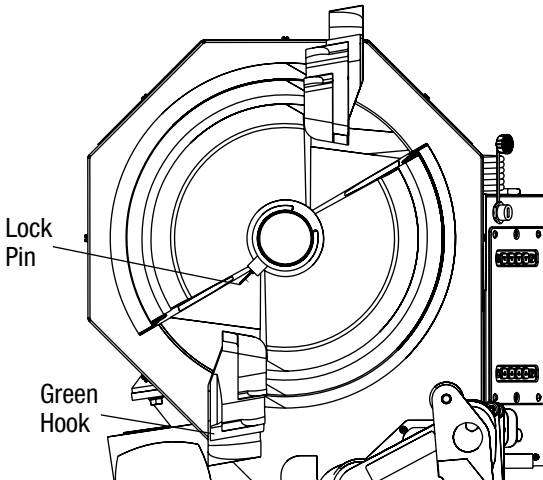
For example, if the particular size you are bending is consistently overbent by 2°, press "-" until -2° is displayed. Likewise, press "+" if the conduit is consistently underbent.

Maintenance (cont'd)

Zeroing the 855DX

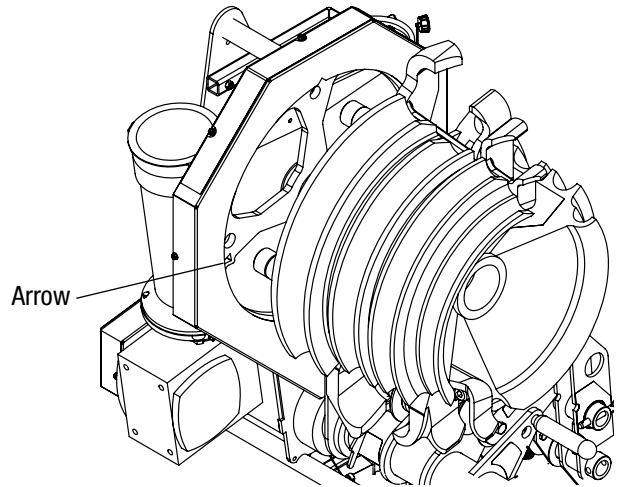
The shoe timing is set at the factory and should never need to be adjusted unless the encoder assembly is removed.

1. Pivot the bending head to the vertical bending position.
2. Press the **BEND** or **UNLOAD** button until the green IMC/rigid hook is in the loading position (or -5°), as shown below.

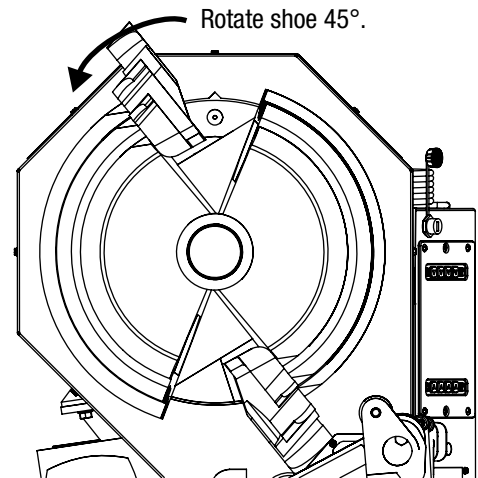


*Note: The bender can be zeroed without completely removing the shoe **only if the bender is on a level surface.***

3. To zero the bender without completely removing the shoe, follow these steps; otherwise, skip to step 4.
 - a. Check to make sure the bender is on a level surface and the shoe will not slide off after it is unlocked from the bender. If the bender is not on a level surface, skip to step 4.
 - b. Check that the spoke with the arrow is at the 3 o'clock position, as shown below.
 - c. Remove the lock collar, and slide the shoe 1" away from the sprocket so the drive bolts clear the sprocket.



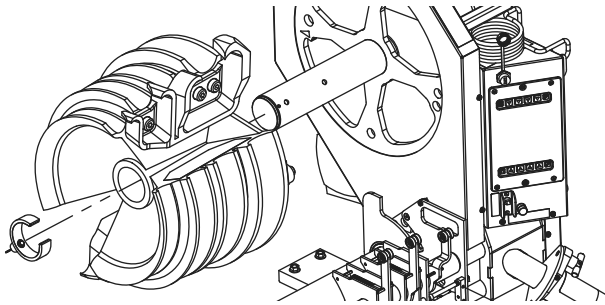
- d. Being careful not to impact the rollers with the shoe hooks, carefully rotate the shoe 45° counterclockwise so the drive hole and round centering hub behind the sprocket are visible at the 12 o'clock position.



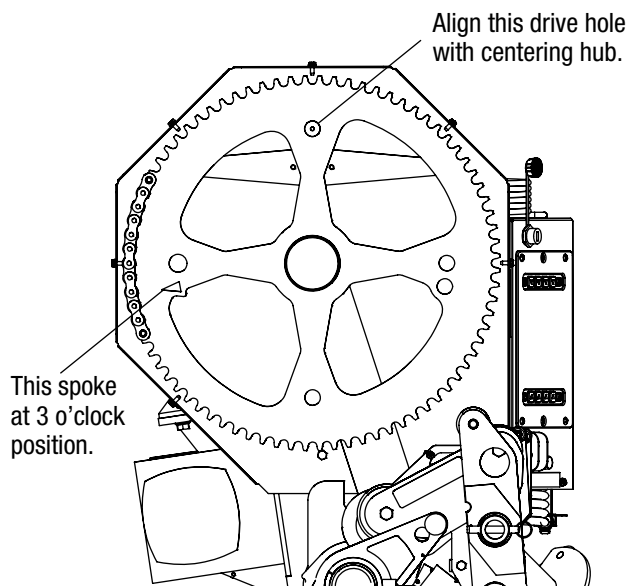
- e. Continue to step 5.

Maintenance (cont'd)

4. Completely remove the shoe by following these steps.
 - a. Remove the lock collar, and slide the shoe 1" away from the sprocket.
 - b. After the shoe is unlocked, lift and remove the shoe by performing a two-person lift, with one person on each side of the shoe.

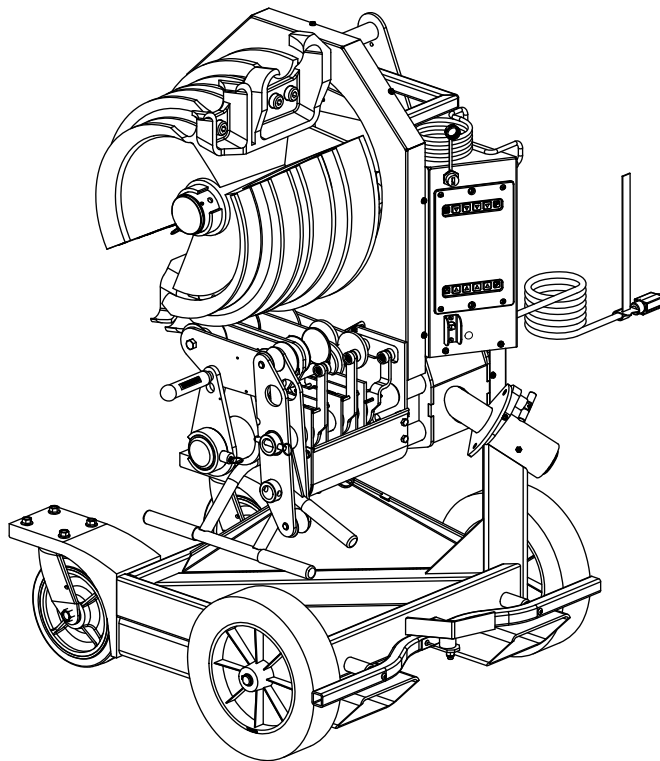


5. Using the **BEND** or **UNLOAD** button, accurately align the drive hole at the 12 o'clock position with the round centering hub behind the sprocket.



6. To reset and zero the bender, first press and hold the **CLEAR** button on the pendant, and then in addition press and hold the **JOG** button. Continue to hold both buttons until the pendant displays "--", which indicates the bender has been successfully reset and zeroed. The buttons must be held for approximately 10 seconds.
7. Reinstall the shoe and lock collar.

MANUAL DE INSTRUCCIONES



Español.....	33
Français.....	65

Dobladora eléctrica 855GX IntelliBENDER®



Lea y entienda todas las instrucciones y la información de seguridad de este manual antes de utilizar o de reparar esta máquina.

Registre este producto en www.greenlee.com

Índice

Descripción	34
Seguridad	34
Objetivo de este manual.....	34
Información de seguridad importante	35–37
Instrucciones de conexión a tierra	38
Especificaciones	38
Identificación	39
Características	40
Cómo transportar la dobladora y el cabezal de plegado giratorio	41
Configuración	42
Funcionamiento.....	42–51
Selección manual del tipo y diámetro del conducto	44
Plegado programado básico	44
Plegado totalmente programado	45–47
Cargar archivo desde USB	48
Solución de problemas de software BendWorks™	49–50
Ajuste de compresión	51
Plegado de conducto recubierto de PVC opcional	51
Glosario de plegado ilustrado	52
Instrucciones de plegado	53–54
Instrucciones de plegado adicionales.....	55–57
Tablas de plegado adicionales	58–61
Mantenimiento.....	62–64

Descripción

La dobladora eléctrica 855GX IntelliBender® de Greenlee ha sido diseñada para plegar tubería portacables y tubos de 1 a 2 in. Esta dobladora tiene capacidad para alojar los siguientes tipos de tubos y tuberías portacables:

- Tubería eléctrica metálica
- Tubería portacables metálica intermedia
- Conducto rígido
- Rígida de aluminio
- Tubería portacables rígida con recubrimiento de PVC
- Tubo calibre 40
- Tubería rígida de acero inoxidable

La dobladora 855GX incluye una zapata para doblar tubería EMT, IMC y tubería portacables rígida. Además, hay disponibles zapatas y soportes de rodillos para doblar tubería portacables con revestimiento de PVC.

Seguridad

Es fundamental observar métodos seguros al utilizar y dar mantenimiento a herramientas y equipos Greenlee. Este manual de instrucciones y todas las marcas en la herramienta le ofrecen la información necesaria para evitar riesgos y hábitos poco seguros relacionados con su uso. Siga toda la información sobre seguridad que se proporciona.

Objetivo de este manual

Este manual tiene como propósito familiarizar a todo el personal con los procedimientos de operación y mantenimiento seguros para la dobladora eléctrica 855GX de Greenlee.

Este manual debe estar disponible para todo el personal que lo necesite.

Puede obtener copias adicionales de manera gratuita, previa solicitud en www.greenlee.com.



¡No desechar este producto ni tirarlo a la basura!

Para información sobre reciclaje,
visite www.greenlee.com.

Todas las especificaciones son nominales y pueden cambiar si se realizan mejoras en el diseño. Greenlee Tools, Inc. no se hace responsable de los daños que puedan surgir de la mala aplicación o el uso indebido de sus productos.

IntelliBENDER y BendWorks son marcas comerciales registradas de Greenlee Tools, Inc.

GUARDE ESTE MANUAL

INFORMACIÓN DE SEGURIDAD IMPORTANTE



SÍMBOLO DE ALERTA DE SEGURIDAD

Este símbolo se utiliza para indicar un riesgo o una práctica poco segura que podría ocasionar lesiones o daños materiales. La palabra que está al lado del símbolo indica la gravedad del peligro, tal y como se muestra a continuación. El mensaje que sigue a esta palabra proporciona información para prevenir o evitar el peligro.

⚠ PELIGRO

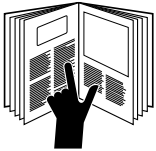
Peligros inmediatos que, si no se evitan, CAUSARÁN lesiones graves o fatales.

⚠ ADVERTENCIA

Peligros que, si no se evitan, PUEDEN CAUSAR lesiones graves o fatales.

⚠ ATENCIÓN

Peligros o prácticas no seguras que, si no se evitan, PODRÍAN CAUSAR lesiones o daños materiales.



⚠ PELIGRO

Lea y entienda todas las instrucciones y la información de seguridad de este manual antes de utilizar o de reparar la máquina.

No prestar atención a esta advertencia causará lesiones graves o fatales.



⚠ PELIGRO

No utilice esta herramienta en un entorno peligroso. Algunos ejemplos de entornos peligrosos se producen alrededor de líquidos, gases u otros materiales inflamables. El uso de esta herramienta en entornos peligrosos puede resultar en incendio o explosión.

No prestar atención a esta advertencia causará lesiones graves o fatales.

⚠ ADVERTENCIA



Peligro de descarga eléctrica:

- Revise minuciosamente el cable de alimentación antes de utilizarlo. Repare o reemplace el cable si está dañado.
- Conecte el cable de alimentación a un receptáculo de 120 voltios y 20 amperios únicamente en un circuito de falla a tierra protegido. Consulte "Instrucciones de puesta a tierra".
- No modifique el cable de alimentación ni el enchufe.
- Desconecte la unidad de la fuente de alimentación antes de darle mantenimiento.

No prestar atención a esta advertencia puede causar lesiones graves o fatales.

⚠ ADVERTENCIA

Para obtener protección continua contra riesgos de incendio y electrocución, reemplace el fusible SOLAMENTE con fusibles del mismo fabricante, tipo y clasificación. Consulte la sección "Mantenimiento" de este manual.

No prestar atención a esta advertencia puede causar lesiones graves o fatales.

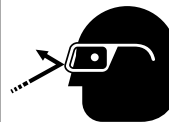


⚠ ADVERTENCIA

- No utilice esta herramienta en un entorno peligroso. No utilice herramientas eléctricas en lugares húmedos o mojados, ni las exponga a la lluvia. Mantenga el área de trabajo bien iluminada.

- No sumerja el interruptor colgante en agua ni en ningún otro líquido.

No prestar atención a estas advertencias puede causar lesiones graves o fatales.



⚠ ADVERTENCIA

Use siempre gafas de seguridad. Los anteojos de uso diario solamente tienen lentes resistentes al impacto; NO son gafas de seguridad. Al usar la herramienta en entornos polvorientos, use una máscara o una mascarilla contra polvo.

No usar protección para los ojos podría exponerlo a lesiones oculares graves si salen partículas despedidas.

INFORMACIÓN DE SEGURIDAD IMPORTANTE



⚠️ ADVERTENCIA


- Mantenga las guardas en posición y en buen estado de funcionamiento.
- Retire todas las herramientas de la dobladora antes de accionarla. Fórmese el hábito de verificar que todas las herramientas hayan sido retiradas de la dobladora antes de encenderla.

No prestar atención a estas advertencias puede causar lesiones graves o fatales.

⚠️ ADVERTENCIA

- Reduzca el riesgo del arranque inadvertido. Asegúrese de que el interruptor esté en la posición OFF (Apagado) antes de enchufar la unidad.
- Nunca deje una herramienta desatendida mientras esté funcionando. Apague el interruptor. No deje la herramienta desatendida antes de que ésta se detenga por completo.
- Desconecte las herramientas antes de darles mantenimiento y al cambiar accesorios como zapatas, rodillos y similares. Si se activa accidentalmente, podría ocasionar lesiones graves.

No prestar atención a estas advertencias puede causar lesiones graves o fatales.



⚠️ ADVERTENCIA

Cordones prolongadores:


- Utilice solamente cordones prolongadores trifilares 12 AWG con enchufes de puesta a tierra de tres clavijas y receptáculos de tres orificios que funcionen con el enchufe de la herramienta.
- No utilice cordones prolongadores de longitud mayor de 30 m (100 pies).
- Repare o reemplace cordones prolongadores dañados.

No prestar atención a estas advertencias puede causar lesiones graves o fatales.

⚠️ ADVERTENCIA

- Nunca se pare en la herramienta. Si la herramienta se vuelca pueden ocurrir lesiones graves.
- No se extienda demasiado. Mantenga una postura correcta y el equilibrio en todo momento.

No prestar atención a estas advertencias puede causar lesiones graves o fatales.



⚠️ ADVERTENCIA

Puntos de pinzamiento:

- Mantenga las manos alejadas de las zapatas de plegado, rodillos y tubería portacables cuando se esté utilizando la dobladora.
- Proporcione apoyo a la tubería portacables al descargarla. La tubería portacables puede soltarse y caerse si no se le proporciona apoyo apropiado.

No prestar atención a estas advertencias puede causar lesiones graves o fatales.

⚠️ ADVERTENCIA

Ajuste el espacio de las horquillas para adaptarlo a los tubos para horquillas en la dobladora. Asegúrese que el freno esté accionado antes de introducir las horquillas en los tubos de horquillas.

No prestar atención a esta advertencia puede causar lesiones graves o fatales.

⚠️ ATENCIÓN

- Seleccione el tipo y diámetro de tubería portacables apropiados antes de doblar.
- Seleccione el canal de zapata y rodillo de soporte apropiados para el tipo y diámetro de tubería portacables antes de doblar.
- No doble tuberías portacables más de 96 grados. El doblado excesivo puede resultar en la colisión de la otra zapata con la tubería.

No prestar atención a estas precauciones podría causar daños personales o materiales.

INFORMACIÓN DE SEGURIDAD IMPORTANTE

⚠ ATENCIÓN

- El tubo portacables se mueve rápidamente conforme se dobla. La trayectoria del tubo portacables debe estar libre de obstáculos. Antes de comenzar a doblar, asegúrese que el espacio libre sea el adecuado.
- Use ropa de trabajo apropiada. No use ropa suelta, guantes, corbatas, anillos, brazaletes ni otro tipo de joyería que pueda quedar atrapada en las partes en movimiento. Se recomienda el uso de calzado antideslizante. Use mallas para el cabello que le permitan contener el cabello largo.
- No fuerce los rodillos ni modifique la herramienta. La máquina hará mejor el trabajo y de forma más segura si se opera a la velocidad para la cual está diseñada.
- Use la herramienta correcta. No fuerce la herramienta ni los accesorios para realizar un trabajo para el cual la máquina no ha sido diseñada.
- Utilice esta máquina solo para los fines para los que el fabricante la ha diseñado. Si se utiliza de una manera distinta a la prescrita en este manual, podrían ocasionarse lesiones o daños materiales.

No prestar atención a estas precauciones podría causar daños personales o materiales.

⚠ ATENCIÓN

- Mantenga el área de trabajo limpia. Las áreas y bancos desordenados propician accidentes.
- Mantenga alejados a los niños. Todos los visitantes deberán mantenerse a una distancia segura lejos del área de trabajo.
- Proteja a los niños contra los riesgos en el taller con candados, interruptores maestros o retirando las llaves de arranque.

No prestar atención a estas precauciones podría causar daños personales o materiales.

⚠ ATENCIÓN

- Revise minuciosamente la dobladora antes de utilizarla. Reemplace los componentes desgastados, dañados o faltantes con piezas de repuesto de Greenlee. Una máquina dañada o montada de forma incorrecta puede romperse y golpear a los que estén a su alrededor.
- Dé mantenimiento cuidadoso a las herramientas. Mantenga la herramienta limpia para lograr un desempeño mejor y más seguro. Siga las instrucciones para lubricar y cambiar los accesorios.
- Verifique que no haya partes dañadas. Antes de seguir utilizando la herramienta, cualquier guarda de protección u otra pieza que esté dañada deberá ser inspeccionada cuidadosamente para determinar que funcionará correctamente y que realizará el trabajo para el cual está diseñada. Verifique la alineación de las piezas móviles, que no haya atascamiento de las piezas móviles, piezas rotas, defectos de montaje y cualquier otra condición que pueda afectar su funcionamiento. Una guarda de protección u otra pieza que esté dañada deberá ser debidamente reparada o reemplazada.
- Utilice accesorios recomendados. Consulte el manual de instrucciones para determinar los accesorios recomendados. El uso de accesorios inapropiados puede ocasionar el riesgo de lesiones a personas.
- Algunas piezas y accesorios de las dobladoras son pesadas y podría necesitarse más de una persona para levantarla y montarla.

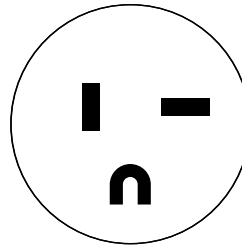
No prestar atención a estas precauciones podría causar daños personales o materiales.

Nota: Mantenga todas las marcas y pegatinas limpias y legibles, y sustitúyalas cuando sea necesario.

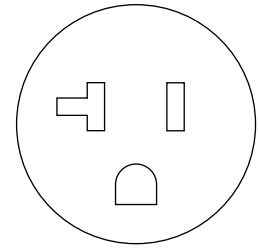
Instrucciones de conexión a tierra

	⚠ ADVERTENCIA
	<p>Peligro de descarga eléctrica:</p> <ul style="list-style-type: none"> • No modifique el enchufe que se suministra con la máquina. • Conecte esta herramienta a un receptáculo puesto a tierra en un circuito de falla a tierra (GFCI) protegido de 20 amperios. <p>No prestar atención a estas advertencias puede causar lesiones graves o fatales.</p>

Enchufe y receptáculo de 20 A/120 V



Enchufe



Receptáculo

Esta herramienta debe estar puesta a tierra. En caso de fallo o avería, la conexión a tierra proporciona una vía de menor resistencia para la corriente eléctrica. Esta vía de menor resistencia se utiliza para reducir el riesgo de descargas eléctricas.

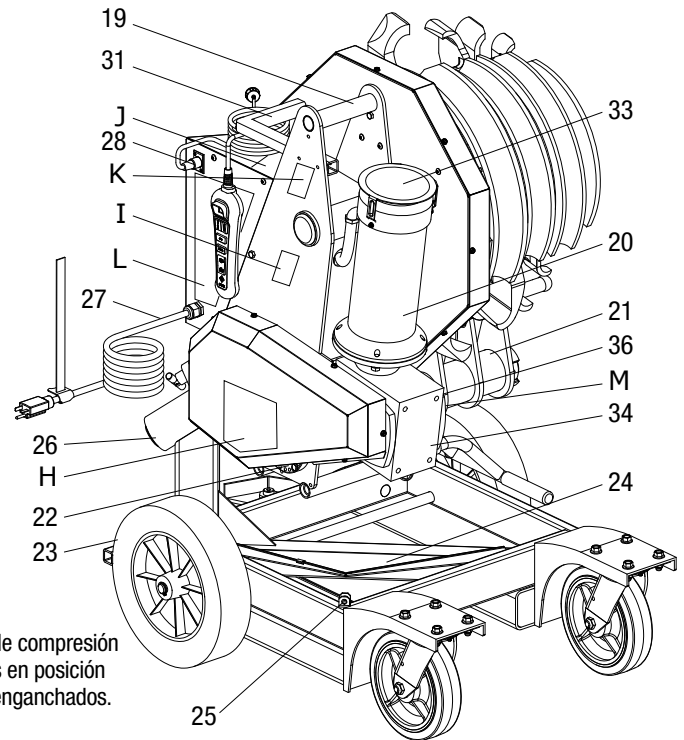
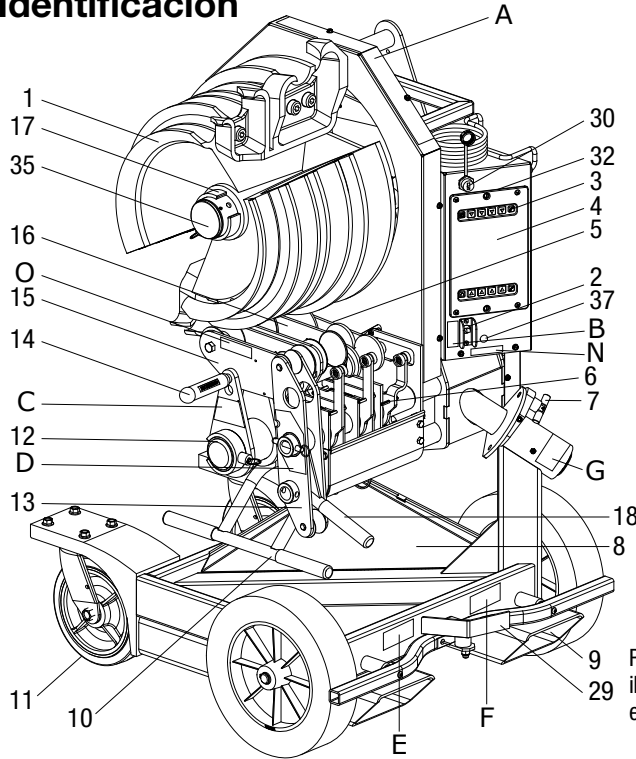
El cordón eléctrico de esta herramienta incluye un conductor de puesta a tierra y un enchufe de puesta a tierra, tal como se muestra. No modifique el enchufe. Conecte el enchufe en el receptáculo con protección GFCI correspondiente que esté montado y conectado a tierra de forma adecuada, de conformidad con todas las ordenanzas y códigos locales y nacionales.

No utilice ningún adaptador.

No modifique el enchufe suministrado. Si no cabe en el tomacorriente, haga que un electricista cualificado instale el tomacorriente adecuado. La conexión indebida del conductor a tierra del equipo puede provocar un riesgo de electrocución. El conductor con aislamiento con un forro verde con franjas amarillas o sin ellas es el conductor de conexión a tierra del equipo. Si es necesario reparar o reemplazar el cordón eléctrico o el enchufe, no conecte el conductor de puesta a tierra del equipo a un terminal energizado. Consulte con un electricista cualificado o personal de mantenimiento si no entiende completamente las instrucciones de conexión a tierra, o si tiene dudas en cuanto a si la herramienta está debidamente conectada a tierra.

Especificaciones

Altura (posición vertical de plegado)	117,1 cm (46,1 in)
Ancho	74,7 cm (29,4 in)
Profundidad (posición vertical de plegado)	84 cm (33,0 in)
Masa/Peso (dobladora con zapatas y soportes de rodillo)	230 kg (507 lb)
Fuente de alimentación	Receptáculo protegido contra circuitos de fallos de conexión a tierra de 120 V CA, 20 A
Condiciones de operación	
Temperatura	-20 °C a 49 °C (-5 °F a 120 °F)
Humedad relativa	0% a 98%
Capacidad	Tubería portacables de 1 a 2 in, tubería 40

Identificación

Características

1. Zapata de 1 a 2 in para tubería portacables EMT/IMC/rígida
2. Interruptor/disyuntor principal eléctrico (encendido-apagado)
3. Botones selectores de plegado programado
4. Pantalla de cristal líquido (LCD) con luz de fondo
5. Soporte de rodillo de 2 in
6. Palanca de accionamiento para determinación de diámetro de tuberías portacables
7. Bloqueo de retención de giro de cabeza de plegado
8. Área de almacenamiento
9. Tubo de horquilla
10. Empuñadura de transporte
11. Ruedecillas giratorias
12. Retenedor de apoyo del rodillo
13. Soporte de rodillo de 1 in
14. Empuñadura de accionamiento del rodillo
15. Apoyo del rodillo de 1-1/4 in
16. Apoyo del rodillo de 1-1/2 in
17. Retenedor de zapata
18. Empuñadura inferior de pivote
19. Barra de izado con grúa
20. Motor
21. Soporte de bobina
22. Ajuste de compresión
23. Ruedas traseras
24. Tapadera de almacenamiento
25. Lengüeta de bloqueo de almacenamiento
26. Cabezal giratorio de plegado

27. Cordón eléctrico con correa de amarra
28. Receptáculo colgante
29. Freno
30. Puerto USB
31. Empuñadora superior del pivote
32. Protector de LCD
33. Protector del motor contra partículas
34. Caja de engranajes
35. Codificador absoluto
36. Palanca de liberación de rodillo de compresión
37. Portafusibles

Calcomanías

- A. Curvado
- B. Interruptor automático
- C. Rodillos de enganche
- D. Rodillo EMT/IMC de 1 in
- E. Freno
- F. Tubo de horquilla
- G. Pivote
- H. Apriete
- I. Identificación
- J. Instrucción
- K. Elevación
- L. Advertencia
- M. Liberación de apoyo
- N. Advertencia de fusible
- O. Elevar rodillos

Características

- Plegado con una zapata de tubería portacables EMT, IMC y rígida de 1 a 2 in.
- Capacidad de plegado de tubería portacables de 1/2 a 2 in con recubrimiento de PVC con el grupo de zapatas opcional.
- Cuatro ruedas grandes para fácil transporte.
- Altura de trabajo a la altura de la cintura.
- Sistema patentado de rodillos se ajusta automáticamente entre la tubería portacables IMC y la EMT.
- Sistema de detección de diámetro y tipo de tubería portacables con patente en trámite permite la carga rápida y el plegado hasta un ángulo deseado.
- No es necesario el afinado de ajuste ni preparación inicial, simplemente cargue la tubería portacables y pliéguela.
- La dobladora compensa automáticamente el efecto de resistencia al plegado, simplemente doble la pieza según el ángulo deseado.
- El ajuste de compresión permite variaciones en la tubería portacables.
- La pantalla brillante de contraste ajustable de LCD permite programar fácilmente los datos de entrada de plegado y las ilustraciones dimensionales para hacer las marcas en la tubería portacables.
- La memoria programable detendrá la dobladora en cualquier ángulo programado.
- Con un solo pulso se puede preseleccionar ángulos frecuentes.
- La pantalla digital muestra el ángulo de plegado en el colgante.
- La computadora proporcionará las dimensiones de las marcas de alineación para codos, vueltas, desviaciones, sillas de tres y cuatro codos y dobleces en U para cualquier altura, longitud y ángulo. Programada para realizar transferencias a otras plegadoras 855GX. Los plegados programados pueden cargarse también a dobladoras desde dobladoras programadas en computadora. Los datos de plegado pueden guardarse en una unidad de memoria a través del puerto USB.
- Programada para realizar transferencias a otras plegadoras 855GX.
- Los plegados programados pueden cargarse también a dobladoras desde dobladoras programadas en computadora.
- Los datos de plegado pueden guardarse en una unidad de memoria a través del puerto USB.
- El control colgante desmontable con patente pendiente evita el uso no autorizado de la dobladora. El control colgante incluye un dispositivo a prueba de tirones del cordón e imanes fuertes de tierra rara para sujetarse a superficies de acero.
- Área de almacenamiento con llave para el control colgante, manual de instrucciones, etc.
- La barra de elevación permite izar el equipo con facilidad.
- Los tubos para horquilla suministrados permiten mover fácilmente el equipo con un montacargas.
- La empuñadura de altura ajustable permite la movilidad fácil y práctica.
- El freno de la rueda trasera permite fijar con seguridad la dobladora en los sitios durante el uso.
- Las zapatas de plegado y los rodillos cuentan con retenedores de liberación rápida.
- La clavija de bloqueo de liberación rápida permite girar fácilmente la dobladora entre las posiciones verticales y horizontales.

Cómo transportar la dobladora y el cabezal de plegado giratorio

Consulte la sección "Identificación" de este manual.

Para transportar la dobladora sobre el piso:

1. Gire el cabezal de plegado hasta la posición de plegado horizontal.
2. Empuje la empuñadura inferior giratoria (18) para eliminar la carga previa de la clavija de retención a la vez que extrae la clavija de retención (7).
3. Gire el cabezal de plegado según se muestra a continuación hasta que enganche en la posición horizontal.
4. Retire las clavijas de bloqueo de la empuñadura y eleve la empuñadura hasta la altura deseada.
5. Invierta los pasos 1 al 4 para regresar el cabezal de plegado hasta la posición vertical.

Para transportar la dobladora con un montacargas:

Introduzca las horquillas en los tubos (9) y levante la unidad.

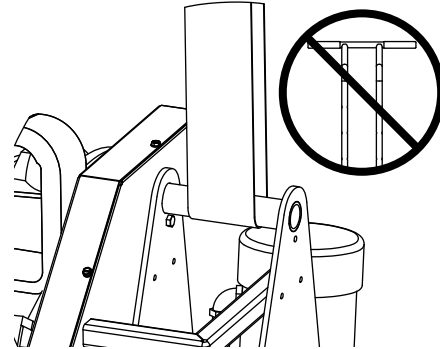
ADVERTENCIA

Ajuste el espacio de las horquillas para adaptarlo a los tubos para horquillas en la dobladora. Asegúrese que el freno esté accionado antes de introducir las horquillas en los tubos de horquillas.

No prestar atención a esta advertencia puede causar lesiones graves o fatales.

Para transportar la dobladora con una grúa:

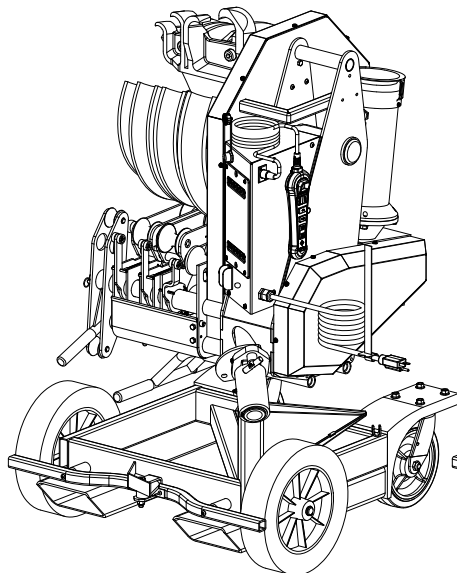
1. Gire el cabezal de plegado hasta la posición de plegado vertical.
2. Confirme que la zapata y los retenedores de los apoyos del rodillo (12, 17) estén en posición y bloqueados.
3. Utilice una eslinga alrededor de la barra de izado (19) para soportar el peso completo. **NO USE LAS EMPUÑADURAS.** Levante la unidad solamente cuando el cabezal esté en posición vertical.



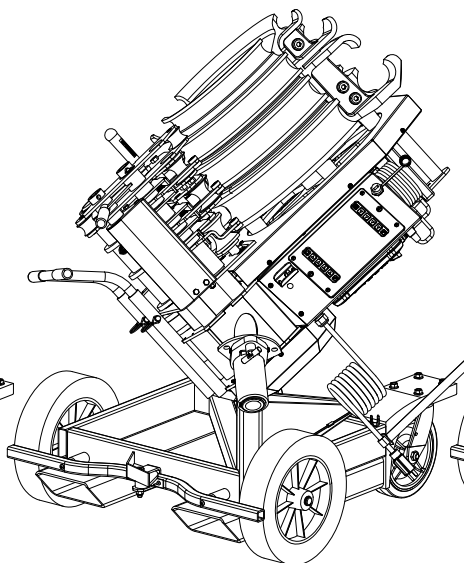
Para transportar la dobladora en un remolque

1. Gire la dobladora hasta la posición de plegado horizontal.
2. Coloque la dobladora en el remolque de forma tal que las ruedas de la dobladora queden paralelas al eje del remolque. De esta manera, la dobladora resistirá el movimiento si el remolque tiene arranques y paradas repentinos.
3. Coloque bloqueos contra las ruedas de la dobladora para resistir el movimiento.
4. Coloque correas alrededor de la zapata de la dobladora y ganchos para fijar la dobladora al remolque. Apriete las correas para evitar que la dobladora se mueva.

NOTA: El freno de la rueda de la dobladora no la asegurará adecuadamente para su transporte.



Posición de plegado vertical



Posición de plegado horizontal

Configuración

	⚠ADVERTENCIA
	<p>Use siempre gafas de seguridad. Los anteojos de uso diario solamente tienen lentes resistentes al impacto; NO son gafas de seguridad. Al usar la herramienta en entornos polvorientos, use una máscara o mascarilla contra polvo.</p> <p>No usar protección para los ojos podría exponerlo a lesiones oculares graves si salen partículas despedidas.</p>


Consulte la sección “Identificación” de este manual.

1. Coloque la dobladora de manera que haya espacio para cargar la tubería portacables y engranar la barra de freno de la rueda trasera.
2. Coloque la dobladora en la posición deseada de plegado vertical u horizontal.
3. Enchufe la dobladora en un tomacorrientes de 20 A, conectado a tierra.
4. Enchufe el interruptor colgante en el receptáculo colgante (28).

Funcionamiento

	⚠PELIGRO
	<p>No utilice esta herramienta en un entorno peligroso. Algunos ejemplos de entornos peligrosos se producen alrededor de líquidos, gases u otros materiales inflamables. El uso de esta herramienta en entornos peligrosos puede resultar en incendio o explosión.</p> <p>No prestar atención a esta advertencia causará lesiones graves o fatales.</p>

	⚠ADVERTENCIA
	<p>Peligro de descarga eléctrica:</p> <ul style="list-style-type: none"> • Revise minuciosamente el cable de alimentación antes de utilizarlo. Repare o reemplace el cable si está dañado. • Conecte el cable de alimentación a un receptáculo de 120 voltios y 20 amperios únicamente en un circuito de falla a tierra protegido. Consulte “Instrucciones de puesta a tierra”. • No modifique el cable de alimentación ni el enchufe. • Desconecte la unidad de la fuente de alimentación antes de darle mantenimiento. <p>No prestar atención a esta advertencia puede causar lesiones graves o fatales.</p>

	⚠ADVERTENCIA
	<p>Puntos de pinzamiento:</p> <ul style="list-style-type: none"> • Mantenga las manos alejadas de las zapatas de plegado, rodillos y tubería portacables cuando se esté utilizando la dobladora. • Proporcione apoyo a la tubería portacables al descargarla. La tubería portacables puede soltarse y caerse si no se le proporciona apoyo apropiado. <p>No prestar atención a estas advertencias puede causar lesiones graves o fatales.</p>

⚠ADVERTENCIA
<p>Desconecte las herramientas antes de darles mantenimiento y al cambiar accesorios como zapatas, rodillos y similares. Si se activa accidentalmente, podría ocasionar lesiones graves.</p> <p>No prestar atención a esta advertencia puede causar lesiones graves o fatales.</p>

Funcionamiento (cont.)

⚠ ATENCIÓN

Use ropa de trabajo apropiada. No use ropa suelta, guantes, corbatas, anillos, brazaletes ni otro tipo de joyería que pueda quedar atrapada en las partes en movimiento. Se recomienda el uso de calzado antideslizante. Use mallas para el cabello que le permitan contener el cabello largo.

De no observarse esta precaución podrían sufrirse graves lesiones o daños materiales.

Consulte la sección "Identificación" de este manual.

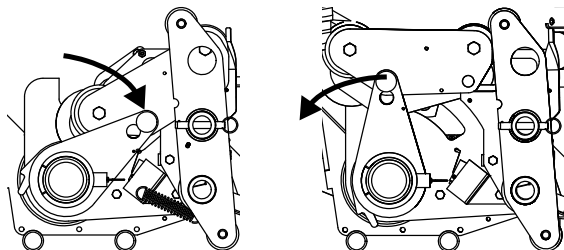
1. Encienda el interruptor principal (2).
2. Use el botón **BEND** (Plegar) o **UNLOAD** (Descargar) para orientar la zapata de manera que los ganchos del tipo de tubería portacables a plegar se encuentren alrededor de la posición de las 7 en punto (aproximadamente -5°). (Los ganchos plateados son para EMT; los ganchos verdes son para IMC y rígida).

La dobladora se detiene automáticamente en la posición de carga (aproximadamente -5°). Para continuar más allá de la posición de carga, suelte el botón **BEND** (Plegar) o **UNLOAD** (Descargar) y luego vuelva a presionarlos según sea necesario.

La dobladora impide activamente el funcionamiento en ciertos ángulos mientras los soportes del rodillo están hacia arriba. Esto tiene el objetivo de evitar que los ganchos de las zapatas dañen los soportes del rodillo. Cuando los soportes del rodillo están arriba y los ganchos están cerca o dentro de los soportes del rodillo, el colgante parpadeará "UP" (Arriba) dos veces. Cuando el colgante parpadea "UP" (Arriba), la dobladora suele poder moverse en la dirección opuesta presionando **BEND** (Plegar) o **UNLOAD** (Descargar). Si la dobladora no se mueve en ninguna dirección y continúa parpadeando "UP" (Arriba), los soportes del rodillo deben estar completamente retraídos antes de que pueda moverse la dobladora.

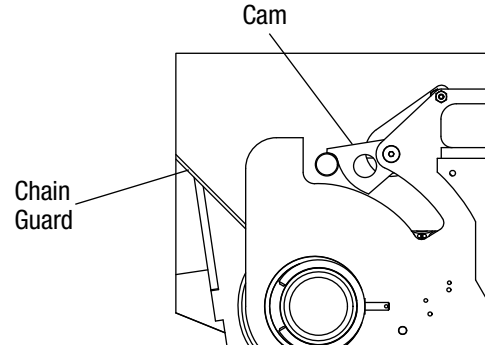
Nota: La dobladora evitará activamente que el usuario cambie la configuración de la máquina fuera de -10 y -2 grados.

3. Cargue la tubería portacables de manera que la marca de plegado quede alineada con el borde frontal del gancho.
4. Doble la tubería portacables.
 - a. Para tubería portacables EMT o IMC de 1-1/4, 1-1/2, y 2 in, use la empuñadura para activar el rodillo (14) para elevar los rodillos desde la posición retraída hasta la posición vertical (engranado), según se muestra a continuación.

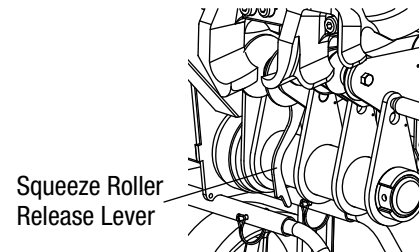


Rodillos de compresión retraídos Rodillos de compresión activados

Nota: Levantar el extremo de un tramo largo de conducto portacables ayudará a enganchar los rodillos. La leva deberá sujetar los rodillos en la posición vertical según se muestra a continuación.



Nota: Para retraer los rodillos sin plegar después de que la excéntrica los sujete en posición, accione la palanca varias veces debajo del rodillo dividido de 2 in. Si esto no libera la leva, levante el extremo de la tubería portacables mientras acciona repetidamente la palanca de liberación. De lo contrario, avance la zapata hacia adelante lo suficiente para que la leva se libere y después descargue la unidad.




- b. Para todo otro tipo de tubería portacables, pulse **BEND** (Plegar) a la vez que se asegura que la marca de plegado permanezca en el frente del gancho hasta que la tubería portacables haga contacto con el rodillo de cola. Si dobla IMC de 1 in, gire el rodillo de apoyo para que el rodillo IMC quede hacia arriba.
5. Continúe pulsando **BEND** (Plegar) hasta alcanzar el ángulo de plegado deseado que se muestra en la pantalla colgante. El ángulo mostrado en la pantalla colgante y en la pantalla LCD será el ángulo del pliegue después de que la tubería portacables se enderece un poco (sujeto a variaciones en la tubería portacables). Use **BEND** (Plegar) o **JOG** (Avanzar a saltos) para tratar de alcanzar un ángulo específico. **JOG** (Avanzar a saltos) hará avanzar la zapata aproximadamente 1/2°.
 6. Pulse **UNLOAD** (Descargar) para liberar la tubería portacables.
 7. Gire la tubería portacables para liberarla del gancho y retirarla de la zapata.

Funcionamiento (cont.)

Selección manual del tipo y diámetro del conducto

La dobladora 855GX puede detectar automáticamente tuberías portacables EMT, IMC y rígidas y también determinar los diámetros de tuberías portacables de 1, 1-1/4, 1-1/2 y 2 in. Al plegar estos tipos de tubería portacables, se recomienda usar el modo automático. Sin embargo, en algunos casos quizá desee establecer manualmente la dobladora según el tipo de tubería portacables a utilizar (por ejemplo, tubería portacables rígida con recubrimiento de PVC).

Para ajustar manualmente la dobladora, siga estos pasos:

1. Desde la pantalla inicial, oprima el botón junto a “SET UP” (Ajuste).
2. Desde la pantalla de configuración, oprima el botón junto a “MAN SET” (Ajuste manual).
3. Seleccione el tipo de tubería portacables a ser utilizado. (Al seleccionar “AUTO” [Automático] la dobladora regresa al modo automático, donde el tipo de tubería se determina automáticamente).
4. Pulse **NEXT** (Siguiendo) para avanzar a la pantalla que le permite seleccionar el diámetro de la tubería portacables.
5. Seleccione el diámetro de la tubería portacables a utilizar. (Al seleccionar “AUTO” [Automático] la dobladora regresa al modo automático, donde el tamaño de tubería se determina automáticamente).
6. Presione **NEXT** (Siguiendo) para regresar a la pantalla de ajuste o  para regresar a la pantalla inicial.

Plegado programado básico

Usted puede establecer previamente un ángulo en la memoria de la computadora y la dobladora se detendrá automáticamente en ese ángulo.

Nota: El ángulo tendrá incorporado el valor de resistencia al plegado.

1. Seleccionar el ángulo.
 - a. Use **ANGLE SELECT▲** (Seleccionar ángulo) o **ANGLE SELECT▼** (Seleccionar ángulo) en el control colgante para cambiar el ángulo programado. Una sola pulsación cambia el ángulo en 1°. Al mantener presionada la tecla **ANGLE SELECT** (Seleccionar ángulo) cambia el ángulo rápidamente en incrementos de 5°. Al presionar **CLEAR** (Borrar), se restablece el ángulo programado de vuelta a 0°. Este ángulo permanecerá en la memoria hasta que se presione **CLEAR** (Borrar), se seleccione un nuevo ángulo, o se interrumpa la alimentación eléctrica.
 - b. Use uno de los ángulos frecuentes mostrados en la pantalla de LCD (4). Para seleccionar un ángulo por medio de este método, presione el botón selector (3) junto al ángulo deseado que se muestra en la pantalla. Este ángulo permanecerá en la memoria hasta que se presione **CLEAR** (Borrar), se seleccione un nuevo ángulo, o se interrumpa la alimentación eléctrica.

El ángulo programado permanecerá en la pantalla del control colgante durante aproximadamente dos segundos y después regresará a la posición actual de la zapata. Además, el ángulo programado puede verse en la pantalla inicial LCD en la casilla “STOP ANGLE” (Ángulo de tope).

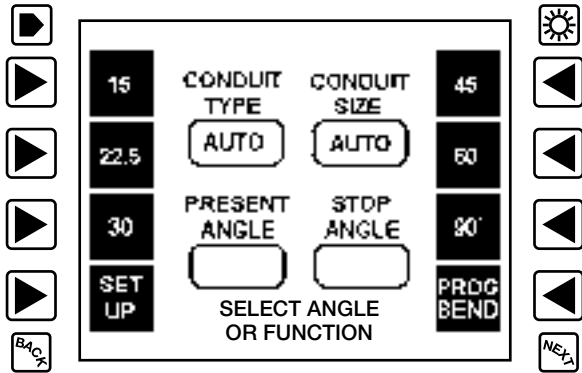
2. Pulse **BEND** (Plegar) hasta que la dobladora se detenga. La dobladora puede aminorar la velocidad antes de alcanzar el ángulo seleccionado. Esto es normal. Cuando la dobladora se detiene en la curva programada, la pantalla colgante parpadea dos veces con el ángulo programado. Para continuar con un pliegue, restablezca el ángulo programado con el botón **CLEAR** (Borrar) o aumente el ángulo programado para que sea mayor que el ángulo real de la zapata con el botón **ANGLE SELECT▲** (Seleccionar ángulo).


Funcionamiento (cont.)

Plegado totalmente programado

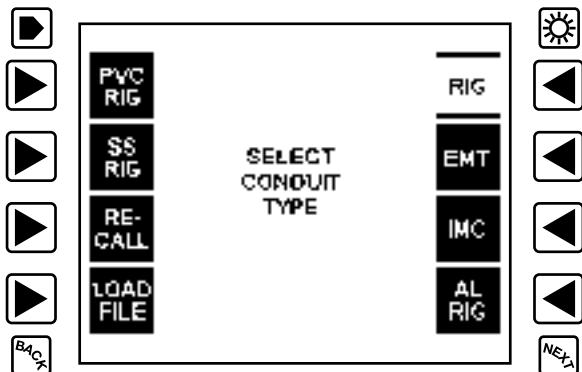
La computadora puede también utilizarse para ayudar a distribuir los pliegues.

1. Presione el botón junto a "PROG BEND" (Plegado programado) para comenzar a programar un plegado.



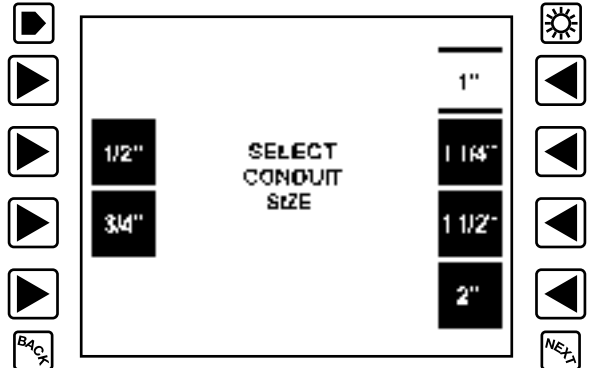
Nota: Presione el botón inicial  en cualquier momento para regresar a la pantalla inicial que se muestra arriba.

2. Presione el botón junto al tipo de tubería portacables que se muestra en la pantalla LCD que usted utilizará o presione el botón junto a "LOAD FILE" (Cargar archivo) para recuperar un pliegue guardado desde una unidad de memoria USB. (Consulte la página 16) Presione **NEXT** (Siguiente) para avanzar o **BACK** (Regresar) para retroceder a la pantalla anterior.



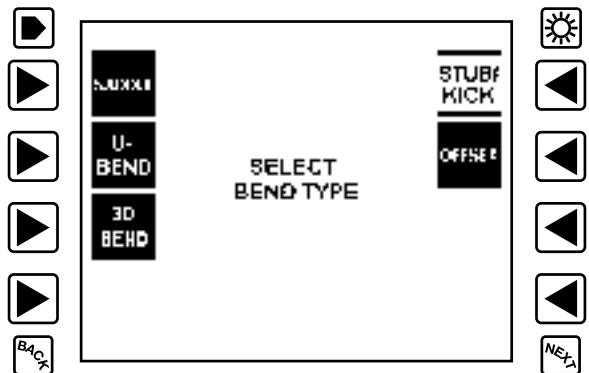
Consulte la sección "Cargar archivo desde USB" después de "Plegado totalmente programado" si desea obtener instrucciones para cargar los pliegues guardados.

3. Presione el botón junto al diámetro de tubería portacables mostrado en la pantalla LCD que usted utilizará. Presione **NEXT** (Siguiente) para avanzar o **BACK** (Regresar) para retroceder a la pantalla anterior.



Nota: "1/2" y "3/4" aparecen en pantalla solamente cuando en el paso 2 se selecciona el tipo de tubería portacables "PVC RIG".

4. Presione el botón junto al tipo de pliegue que usted intenta realizar.
 - a. Seleccione "STUB/KICK" (Codos/Vueltas) para determinar los pliegues o las desviaciones.
 - b. Al seleccionar "OFFSET" (Compensación) y **NEXT** (Siguiente) aparecerá una nueva ventana desde la cual puede seleccionar si desea medir la longitud desde el extremo de la tubería portacables hasta el inicio del primer pliegue o hasta el final del segundo pliegue.
 - c. Al seleccionar "SADDLE" (Silla) y **NEXT** (Siguiente) aparecerá una nueva ventana desde la cual puede seleccionar una silla de tres pliegues o de cuatro pliegues.
 - d. Seleccione "U-BEND" (Pliegue en forma de U) para realizar pliegues en U de 90° uno tras otro.



5. Presione **NEXT** (Siguiente) para avanzar o **BACK** (Regresar) para retroceder a la pantalla anterior.

Funcionamiento (cont.)

Plegado totalmente programado (cont.)

6. Introduzca las dimensiones del pliegue.

Codos y vueltas:

Pulse el botón junto a "HT" (altura) si aún no está resaltada con un asterisco. Use los botones junto a +↑ y -↓ para aumentar o reducir la altura hasta alcanzar el valor deseado. Una sola pulsación del botón cambiará el valor en 1/8 in. Al mantener el botón presionado, los valores cambiarán rápidamente. Presione el botón junto a "A" (ángulo). Seleccione el ángulo deseado de la manera antes descrita. El ángulo cambia en incrementos de 1/2°.

Desviaciones:

Pulse el botón junto a "HT" (altura) si aún no está resaltada con un asterisco. Use los botones junto a +↑ y -↓ para aumentar o reducir la altura hasta alcanzar el valor deseado. Una sola pulsación del botón cambiará el valor en 1/8 in. Al mantener el botón presionado, los valores cambiarán rápidamente. Presione el botón junto a "L" (longitud). Seleccione la longitud deseada de la manera antes descrita. El ángulo cambia en incrementos de 1/8 in. Presione el botón junto a "A" (ángulo). Seleccione el ángulo deseado de la manera antes descrita. El ángulo cambia en incrementos de 1/2°.

Sillas:

Pulse el botón junto a "HT" (altura) si aún no está resaltada con un asterisco. Use los botones junto a +↑ y -↓ para aumentar o reducir la altura hasta alcanzar el valor deseado. Una sola pulsación del botón cambiará el valor en 1/8 in. Al mantener el botón presionado, los valores cambiarán rápidamente. Presione el botón junto a "L" (longitud). Seleccione la longitud deseada de la manera antes descrita. El ángulo cambia en incrementos de 1/8 in. Presione el botón junto a "A" (ángulo). Seleccione el ángulo deseado de la manera antes descrita. El ángulo cambia en incrementos de 1/2°.

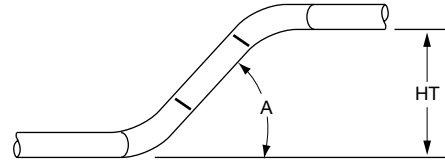
Pliegues en forma de U:

Pulse el botón junto a "HT" (altura) si aún no está resaltada con un asterisco. Use los botones junto a +↑ y -↓ para aumentar o reducir la altura hasta alcanzar el valor deseado. Una sola pulsación del botón cambiará el valor en 1/8 in. Al mantener el botón presionado, los valores cambiarán rápidamente. Presione el botón junto a "L" (longitud). Seleccione la longitud deseada de la manera antes descrita. El ángulo cambia en incrementos de 1/8 in.

Pliegues en 3D:

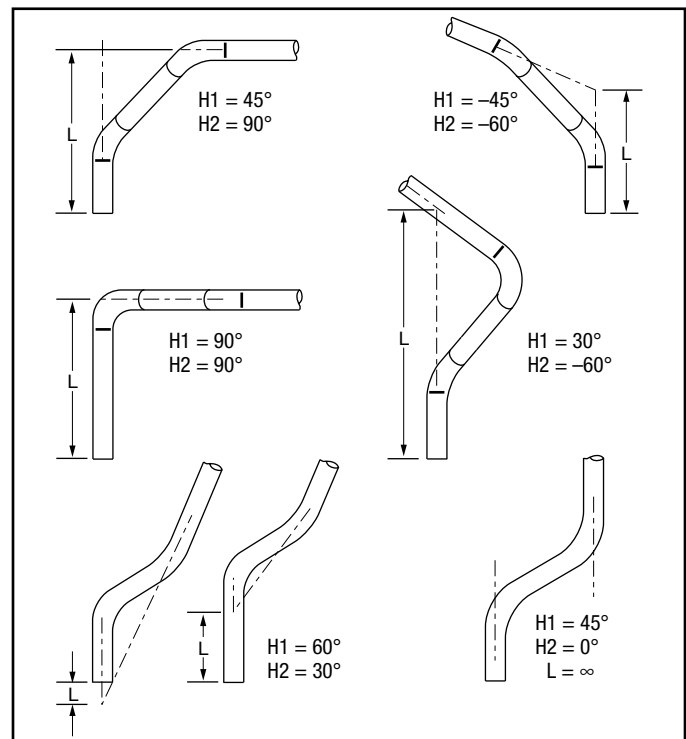
Un pliegue en 3D es lo mismo que un pliegue de desviación, excepto que hay un cambio adicional de dirección a la derecha o a la izquierda. Introduzca la altura deseada presionando el botón junto a "HT" (altura) si aún no está resaltado con un asterisco. Use los botones a la par de +↑ y -↓ para aumentar o reducir el valor de la altura. Una sola pulsación del botón cambiará la altura en 1/8 in. Al mantener el botón presionado, los valores cambiarán rápidamente. Seleccione el ángulo

de elevación presionando el botón junto a "A" (ángulo). Seleccione el valor del ángulo de la manera antes descrita. El ángulo cambia en incrementos de 1/2°.



Seleccione los ángulos de doblez horizontal presionando el botón junto a "H1" y ajuste el valor según lo descrito anteriormente; repita el procedimiento para el botón "H2". Los ángulos horizontales aparecen según se ven directamente desde arriba. Consulte la ilustración "Vistas superiores de los pliegues" más adelante para ver ejemplos. Los ángulos positivos representan pliegues hacia la derecha. Los ángulos negativos representan pliegues hacia la izquierda.

Seleccione la longitud presionando el botón junto a "L" (longitud). Seleccione el valor de "L" (longitud) según las instrucciones anteriores. Todos los valores para "L" (longitud) tienen como referencia la línea central de la tubería portacables. La longitud se define como el punto donde las líneas de mira del primero y segundo tramo se interceptan entre sí hasta el otro extremo de la tubería portacables, visto directamente desde arriba. Las ilustraciones siguientes ofrecen ejemplos.

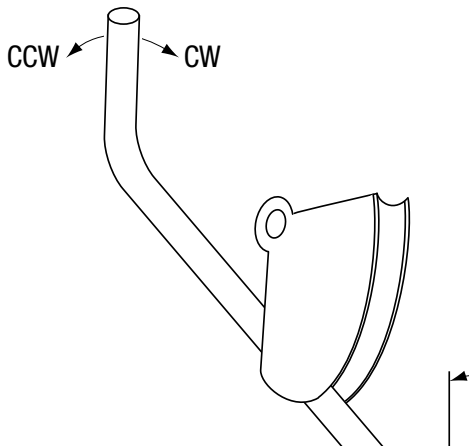


Funcionamiento (cont.)

Plegado totalmente programado (cont.)

Vistas superiores de pliegues

Los pasos 7-10 son los mismos para un plegado 3D como para un plegado de compensación, con la siguiente excepción: después de hacer el primer pliegue recibirá instrucciones para girar la tubería portacables en algún ángulo hacia la izquierda o hacia la derecha. Hacia la derecha significa empujar el tramo plegado hacia la parte trasera de la dobladora y a la izquierda significa empujar el tramo doblado hacia el frente de la dobladora.



Nota: Colocar un transportador en el extremo libre de la tubería portacables antes de hacer el primer pliegue y eso le ayudará a saber qué tanto girar la tubería portacables.

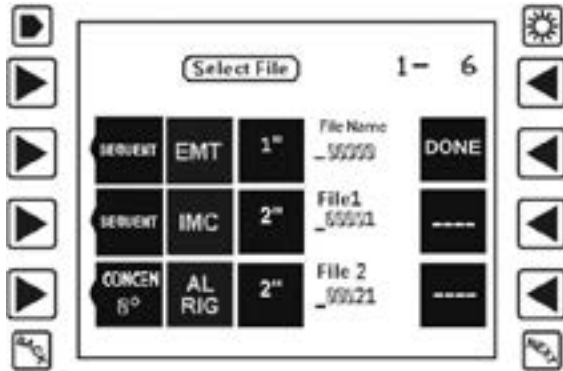
7. Presione **NEXT** (Siguiendo) para avanzar o **BACK** (Regresar) para retroceder a la pantalla anterior.
8. Coloque una cinta de medir y haga marcas en las distancias mostradas.
9. Presione "SAVE" (Guardar) para guardar el pliegue programado en la memoria local de la dobladora; o presione "SAVE USB" (Guardar USB) para guardar el pliegue programado en una unidad de memoria USB; o presione **NEXT** (Siguiendo) para continuar realizando el pliegue programado; o presione **BACK** (Regresar) para regresar a la pantalla anterior.
10. Cargue la tubería portacables y alinee el frente del gancho con la primera marca. Pulse **BEND** (Plegar) hasta que la dobladora se detenga. La pantalla mostrará el ángulo de parada y el ángulo de plegado real. Descargue la tubería portacables y vuelva a cargarla alineando la segunda marca. Pulse **BEND** (Plegar) hasta que la dobladora se detenga. Repita el procedimiento según sea necesario hasta que en la pantalla aparezca "BENDING COMPLETE" (Pliegue terminado).

Funcionamiento (cont.)

Cargar archivo desde USB

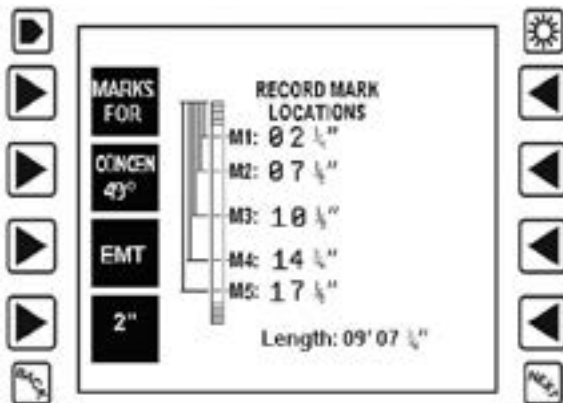
1. Pulse el botón situado junto al pliegue que desee iniciar. El número de páginas aparece en la parte superior derecha. Para desplazarse por la lista de pliegues guardados, pulse los botones **NEXT** (Siguiente) y **BACK** (Regresar).

Si presiona **BACK** (Regresar) en la página 1, volverá a la pantalla anterior.

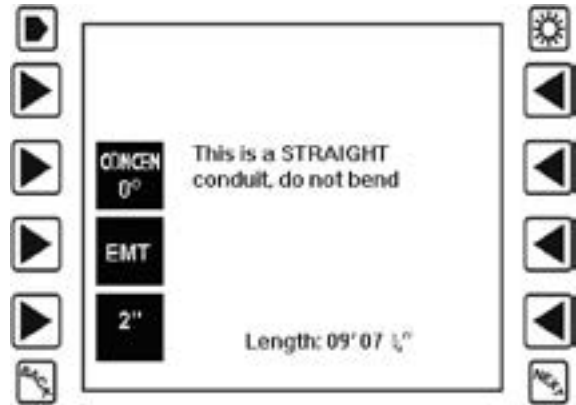


Notas:

- Los conductos rectos se etiquetarán como "CONCEN 0°".
 - Los pliegues completados se etiquetarán como "DONE" (Listo).
2. Aparecerá un resumen de todos los pliegues, con un máximo de cinco pliegues por página. En la parte inferior está la longitud total del conducto. Pulse el botón **NEXT** (Siguiente) para continuar con las instrucciones de plegado individuales, o pulse el botón **BACK** (Regresar) para volver a la pantalla de selección de archivos.

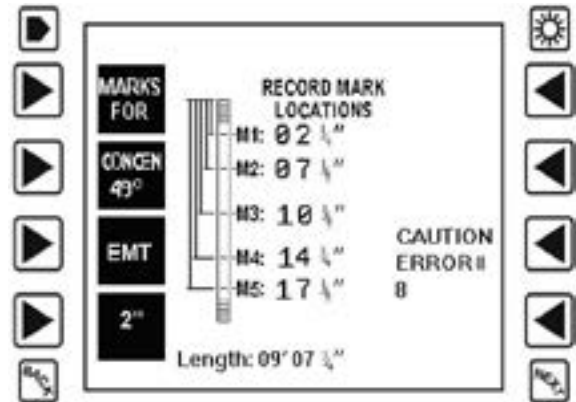


Nota: Un pliegue con la etiqueta "CONCEN 0°" indica que no hay pliegues por hacer. Seleccione **BACK** (Regresar) para volver a la pantalla de selección de archivos.



Solución de problemas de software BendWorks™

Cuando el software BendWorks™ encuentra cualquiera de los errores de la tabla de la página siguiente, envía un código de error a un archivo CSV. Cada error tiene un número y un código de error.



Funcionamiento (cont.)
Solución de problemas de software BendWorks™

Errores de proceso		Código de error	Explicación del error
1	La longitud de plegado más la cola del cabezal supera la longitud nominal predeterminada	ErrorCode.BendLengthPlusHeadTailExceedsDefaultNominalLength, 1	La longitud de plegado + D + X + la cola no pueden ser mayores que la longitud nominal predeterminada.
2	Radio de plegado demasiado grande	ErrorCode.BendRadiusTooBig, 2	El radio de plegado no puede ser demasiado grande.
3	El pliegue abarca varios segmentos	ErrorCode.BendSpansMultipleSegments, 4	Un pliegue no puede abarcar varios segmentos de conducto.
4	Pliegue concéntrico y normal	ErrorCode.ConcentricAndNormalBend, 8	No se puede tener pliegue un concéntrico/de segmento y un pliegue normal en el mismo conducto.
5	Radio de plegado concéntrico demasiado pequeño	ErrorCode.ConcentricBendRadiusTooSmall, 16	El radio de plegado concéntrico no puede ser demasiado pequeño.
45	Longitud del conducto demasiado pequeña entre pliegues	ErrorCode.ConduitLengthTooSmallBetweenBends, 17592186044416	La longitud del conducto entre dos pliegues no puede ser inferior a la longitud del acoplamiento.
6	El segmento tiene más de 5 pliegues	ErrorCode.SegmentHasMoreThan5Bends, 32	Un segmento de conductos no puede tener más de 5 pliegues, con la excepción de los arcos concéntricos.
7	Longitud del segmento corto	ErrorCode.ShortSegmentLength, 64	Conducto más corto que la longitud mínima preferida.
8	La longitud total del segmento supera la longitud nominal predeterminada	ErrorCode.TotalSegmentLengthExceedsDefaultNominalLength, 128	La longitud del tramo del conducto supera la longitud nominal predeterminada.

Errores de advertencia			Explicación del error
23	Prefijo de marca utilizado	ErrorCode.MarkPrefixUsed, 4194304	Se ha utilizado el prefijo de marca.
24	El ángulo total de los pliegues supera 360 grados	ErrorCode.TotalAngleOfBendsExceed360, 8388608	Los ángulos de pliegue totales superan los 360 grados.
25	El ángulo total de los pliegues supera el ángulo total máximo	ErrorCode.TotalAngleOfBendsExceedsMaxTotalAngle, 16777216	Los ángulos de pliegue totales superan el ángulo de pliegue máximo permitido.
26	La longitud total del tramo del conducto supera el máximo	ErrorCode.TotalLengthOfConduitRunExceedsMax, 33554432	La longitud total del tramo del conducto supera la longitud máxima permitida.

Funcionamiento (cont.)
Solución de problemas de software BendWorks™ (cont.)

Errores previos al proceso			Explicación del error
36	Ángulo de pliegue demasiado grande	ErrorCode.BendAngleToolSmall, 34359738368	El ángulo de pliegue no puede ser superior a 90 grados.
37	Ángulo de pliegue demasiado pequeño	ErrorCode.BendRadiusTooSmall, 68719476736	El ángulo de pliegue no puede ser menor a 5 grados.
39	Distancia demasiado pequeña desde el final de la tubería hasta el final de la tubería	ErrorCode.DistanceTooSmallFromEndOfLastBendToEndOfPipe, 274877906944	La distancia desde el final del último pliegue hasta el final del tramo no puede ser más corta que la profundidad de acoplamiento.
40	Distancia demasiado pequeña desde el inicio de la tubería hasta el inicio de la primera curva	ErrorCode.DistanceTooSmallFromStartOfPipeToStartOfFirstBend, 549755813888	La distancia desde el inicio del tramo hasta el inicio del primer pliegue no puede ser más corta que la profundidad de acoplamiento.
41	Tramo de bucle	ErrorCode.LoopRun, 1099511627776	El conducto está en bucle.
42	Múltiples dobladoras no admitidas	ErrorCode.MultipleBendersNotSupported, 2199023255552	No se admiten múltiples dobladoras.
43	Tipo no admitido	ErrorCode.TypeNotSupported, 4398046511104	No se admite el tipo de conducto.
44	Pliegues contiguos	ErrorCode.BacktoBackBends, 8796093022208	El tramo de conducto no puede tener pliegues contiguos. La distancia entre dos pliegues no puede ser 0.

Mensajes informativos			Explicación del error
55	No hay división válida desde ninguna de las dos direcciones	ErrorCode.NoValidSplitFromEitherDirection, 18014398509482000	No hay división desde ninguna de las dos direcciones.

Funcionamiento (cont.)

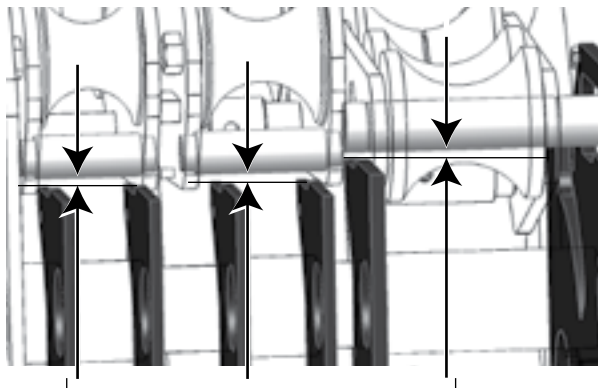
Ajuste de compresión

La compresión se ajusta en la fábrica y normalmente no requiere ajustes posteriores.

Al plegar tubería EMT o IMC de 1-1/4, 1-1/2 o 2 in, la cantidad de compresión aplicada a la tubería portacables puede ser ajustada para compensar las variaciones de la tubería portacables. La compresión está ajustada correctamente si el eje de apoyo no hace contacto con las placas de apoyo durante el pliegue de tubería EMT, según lo indican las partes sombreadas a continuación. El eje no deberá estar a más de aproximadamente 1/4 in (6 mm) arriba de la superficie plana inferior.

La compresión puede verificarse cargando tubería portacables EMT y avanzando la zapata hasta que la tubería portacables comience a plegarse. Si los ejes de apoyo hacen contacto con las placas o se encuentran a más de 1/4 in (6 mm) de las placas, descargue la tubería portacables y ajuste la compresión según se describe.

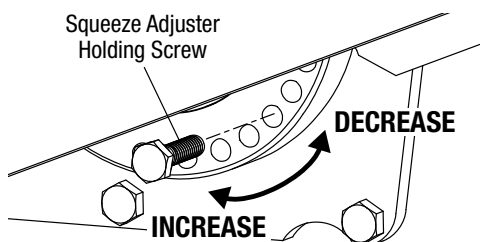
- Si el eje hace contacto, **aumente** la compresión.
- Si el eje se encuentra a más de 1/4 in (6 mm), **reduzca** la compresión.



Separación máxima de 1/4 in (6 mm) entre el eje y la parte superior de las placas laterales

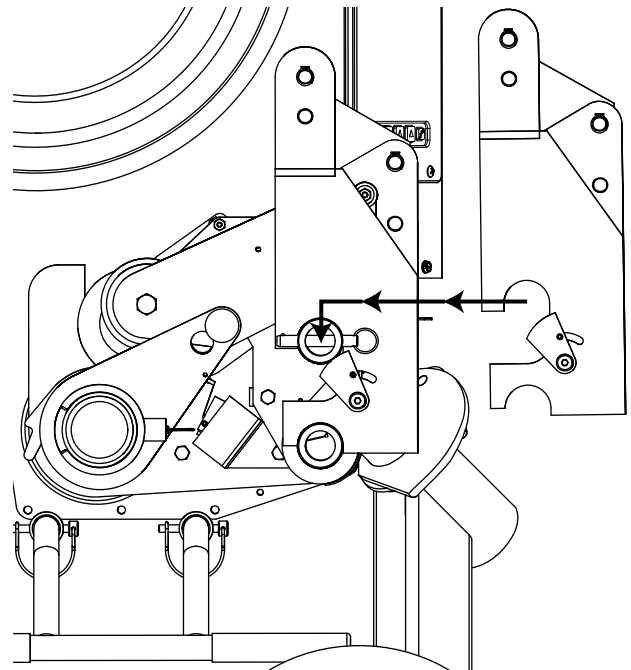
Para ajustar la compresión:

1. Desenchufe la dobladora.
2. Retire el tornillo (consulte la ilustración a continuación).
3. Gire el ajustador de compresión:
 - Si el eje hace contacto con las placas de apoyo, **aumente** la compresión girando a la derecha el ajustador de compresión.
 - Si el eje queda demasiado alto sobre las placas de apoyo, **reduzca** la compresión girando a la izquierda el ajustador de compresión.

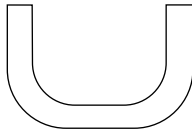


Plegado de conducto recubierto de PVC opcional

1. Desconecte la alimentación eléctrica a la dobladora.
2. Coloque la cabeza dobladora en la posición vertical.
3. Retire el retenedor de la zapata tirando del anillo de la clavija de detención, y extraiga el retenedor del usillo.
4. Tire y extraiga la zapata.
5. **Para conducto recubierto de PVC de 1-1/2 y 2 in:** Instale la zapata y comience a plegar. No se requiere cambiar rodillos.
5. **Para conducto recubierto de PVC de 1/2 a 1-1/4 in:** Continúe en el paso 6 y consulte la ilustración a continuación.
6. Retire el apoyo del rodillo de 1 in y baje la empuñadura giratoria.
7. Instale el apoyo del rodillo de tubería portacables con recubrimiento de PVC deslizándolo entre los rodillos existentes desde el lado derecho de la dobladora y dejándolo caer de manera que enganche en los tubos de apoyo del rodillo del bastidor de la dobladora.
8. Instale la zapata de 1/2 a 1-1/4 in y siga las instrucciones de plegado de PVC.

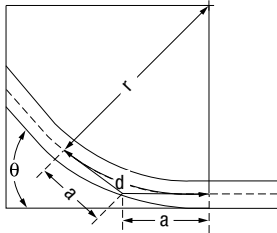


Instalación de soporte de rodillo rígido recubierto de PVC de 1/2 a 1-1/4 in

Glosario de plegado ilustrado


doblez contiguo: cualquier doblez en forma de U formado por dos dobleces paralelos de 90° con una sección recta de tubo portacables o tubería entre los dobleces.

distancia de centro a centro: la distancia entre los dobleces sucesivos que conforman una desviación o silla de tres dobleces.

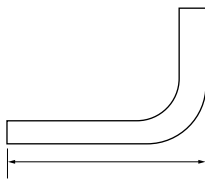


longitud desarrollada: la longitud real del tubo que será doblado; consulte la distancia "d" en la ilustración a la izquierda.

ganancia: la diferencia entre la distancia de línea recta ($a + a$) y la distancia radial más corta, (d) donde:

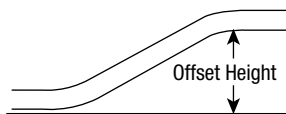
q = ángulo de doblez

r = el radio de plegado de eje longitudinal de la zapata de plegado



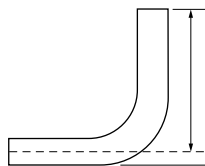
desviación: plegado sencillo menor de 90°

longitud de la pata: la distancia desde el extremo de una sección recta de la tubería portacables o tubo hasta el plegado; medida desde el extremo hasta el borde exterior de la tubería portacables o tubo.



plegado de compensación: dos plegados opuestos con el mismo grado de plegado; utilizado para esquivar un obstáculo.

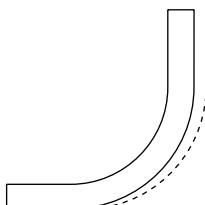
altura de compensación: la distancia entre las dos patas de un plegado de compensación, medida de forma perpendicular a las dos patas; conocido también como cantidad de compensación o profundidad de compensación.



elevación: la distancia desde el extremo de una sección recta de la tubería portacables o tubo hasta el plegado; medida desde el extremo hasta el eje longitudinal de la tubería portacables o tubo. Conocido también como codo o saliente.

silla: una combinación de tres o cuatro plegados; utilizado para esquivar un obstáculo.

contracción: la cantidad de tubería portacables "que se pierde" cuando se tiende un plegado de compensación trabajando hacia el obstáculo.



resistencia al doblez: la cantidad, medida en grados, que un tubo portacables o tubería tiende a enderezarse luego del doblez.

Instrucciones de plegado

CODOS DE 90°

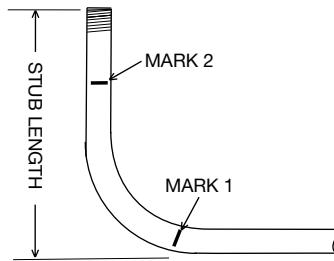
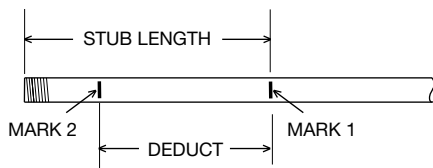
1. Mida la longitud necesaria del codo.
2. Consulte la fórmula de longitud mínima del codo en la tabla de deducción. El codo necesario debe ser igual o más largo que la longitud mínima del codo.
3. Mida y marque la longitud del codo en la tubería portacables. Esta es la marca 1. Reste la deducción de esta marca y haga una marca nueva. Esta es la marca 2.
4. Alinee la marca 2 con el borde frontal del gancho y doble la tubería portacables.

Nota: La zapata hace pliegues de hasta 90° como máximo.

Tabla de deducción

DIÁMETRO DE LA TUBERÍA PORTACABLES		1	1-1/4	1-1/2	2
DEDUCCIÓN	ACERO RÍGIDO	11-7/8	14-3/8	15-3/8	16-5/8
	EMT	11-7/8	14-3/8	15-3/8	16-7/8
	IMC	11-7/8	14-3/8	15-3/8	16-5/8
	ALUM. RÍGIDO	11-7/8	14-3/8	15-3/8	16-5/8
LONGITUD MÍNIMA DEL CODO = DEDUCCIÓN MÁS 2 PULGADAS					

Las cifras son aproximadas



Instrucciones de plegado (cont.)

Desviaciones

1. Mida la altura y la longitud del obstáculo. Seleccione el ángulo que se va a utilizar.
2. Consulte la tabla de compensación. La altura del obstáculo debe ser igual o mayor que la compensación mínima.
3. Consulte la Tabla X para encontrar la dimensión X. Consulte la tabla de compensación para encontrar la distancia centro a centro.
Nota: Si no se muestra la distancia centro a centro, calcúlela utilizando los multiplicadores que aparecen en la tabla de compensación.
4. Haga una marca en la tubería portacables tal como se muestra.
5. Introduzca la tubería portacables en la dobladora. Alinee la marca 1 con el borde frontal del gancho y doble la tubería portacables.
6. Alinee la marca de plegado 2 con el borde frontal del gancho. Sin retirar la tubería portacables de la dobladora, gire la tubería portacables 180°. Haga el segundo pliegue.

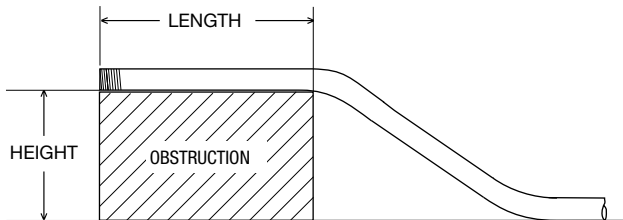
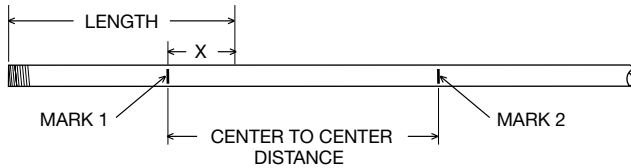


Tabla de compensación

COMPEN- SACIÓN	Ángulo acabado					
	15°		30°		45°	
	Diámetro máx. de los conductos	Centro a centro	Tamaño máx. de los conductos	Centro a centro	Diámetro máx. de los conductos	Centro a centro
2	1-1/4	7-3/4				
4	2	15-7/16	1	7-15/16		
6	2	23-3/16	2	11-15/16		
8	2	30-15/16	2	15-15/16	1	11-5/16
10	2	38-5/8	2	19-15/16	2	14-1/8
12	2	46-3/8	2	23-15/16	2	16-15/16
14	2	54-1/16	2	27-15/16	2	19-13/16
16	2	61-13/16	2	31-15/16	2	22-5/8
18	2	69-9/16	2	35-15/16	2	25-7/16
20	2	77-1/4	2	39-15/16	2	28-1/4
22	2	85	2	43-15/16	2	31-1/8

DISTANCIA CENTRO A CENTRO = ALTURA DE COMPENSACIÓN x MULTIPLICADOR					
ÁNGULO DE COMPENSACIÓN	10°	15°	22-1/2°	30°	45°
MULTIPLICADOR	5,8	3,9	2,6	2,0	1,4

Las cifras son aproximadas

Tabla X

DIÁMETRO DEL CONDUCTO	1	1-1/4	1-1/2	2
"X"	4-1/16	5-1/16	5-13/16	6-1/8

Las cifras son aproximadas

Eje de radio de plegado de las curvadoras

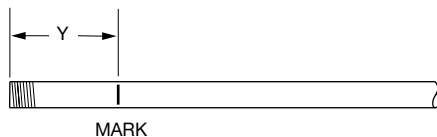
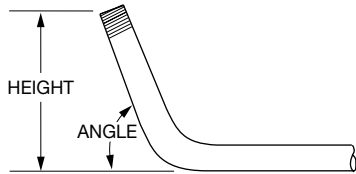
TAMAÑO DE ZAPATA	EMT		IMC/RÍGIDOS	
	in	mm	in	mm
1	7	177,8	6-15/16	176,2
1-1/4	8-13/16	223,8	8-3/4	222,3
1-1/2	8-3/8	212,7	8-1/4	209,6
2	9-1/4	235,0	9	228,6

Instrucciones de plegado adicionales

Las siguientes ilustraciones y tablas de plegado tienen como propósito proporcionar la información necesaria para obtener los tipos de plegados más comunes. Las tablas de plegado incluyen información para hacer marcas en la tubería portacables.

CODOS

1. Seleccione el diámetro y tipo de tubería portacables. Determine la altura del codo y el ángulo que se va a utilizar.
2. Encuentre la tabla que corresponda al tamaño y tipo de tubería portacables seleccionada en el paso 1.
3. Bajo la columna titulada **ÁNGULO**, encuentre el ángulo apropiado.
4. Encuentre la fila titulada **Y**. En la fila de la parte superior de la página, encuentre la altura (**A**) del codo. El número mostrado donde se intersectan la fila **Y** y la columna **A** es la distancia **Y**. Coloque la marca de plegado a **Y** centímetros del extremo de la tubería portacables.
5. Doble la tubería portacables.



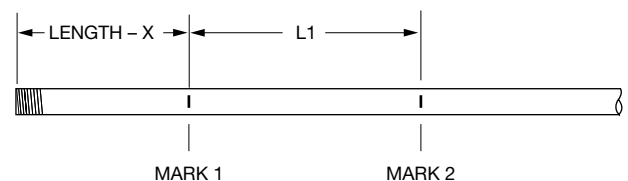
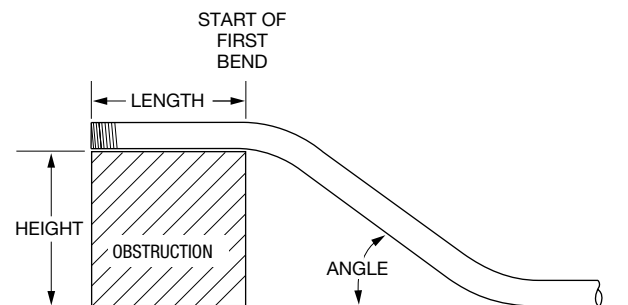
COMPENSACIONES

Se utiliza una desviación para encaminar el tubo portacables alrededor de un obstáculo. Para realizar una desviación, se requieren dos dobleces iguales. La distancia entre dos dobleces es la distancia centro a centro.

Al sobrepasar un obstáculo, será necesario determinar la ubicación del primer doblez. Entonces, se utiliza la distancia centro a centro para determinar la ubicación del segundo doblez. Al avanzar hacia un obstáculo, será necesario determinar la ubicación del segundo doblez. Entonces, se utiliza la distancia centro a centro para determinar la ubicación del primer doblez.

Para sobrepasar un obstáculo

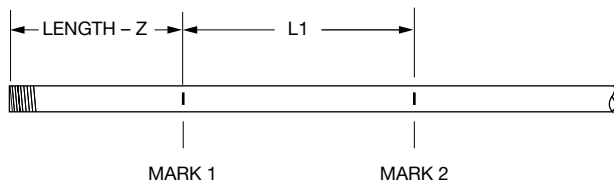
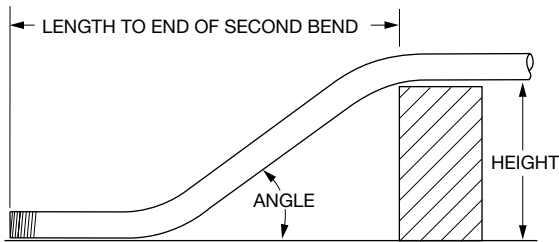
1. Seleccione el diámetro y tipo de tubería portacables. Mida la altura del obstáculo y la distancia titulada **LONGITUD**. Determine el ángulo que se va a utilizar.
2. Encuentre la tabla que corresponda al tamaño y tipo de tubería portacables seleccionada en el paso 1.
3. A la derecha del diámetro y tipo de tubo portacables, encuentre la dimensión titulada **X**. Reste **X** de **LONGITUD**. Coloque la primera marca de plegado a esta distancia del extremo del tubo portacables.
4. Bajo la columna titulada **ÁNGULO**, encuentre el ángulo apropiado. Encuentre la fila titulada **L1**. En la fila de la parte superior de la página, encuentre la altura (**A**) de la desviación. El número mostrado donde se intersectan la fila **L1** y la columna **A** es **L1**. Coloque la segunda marca de plegado a **L1** pulgadas de la primera marca de plegado.
5. Doble la tubería portacables.



Instrucciones de plegado adicionales (cont.)

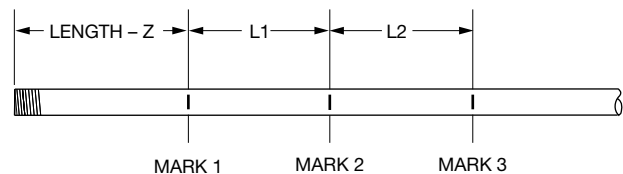
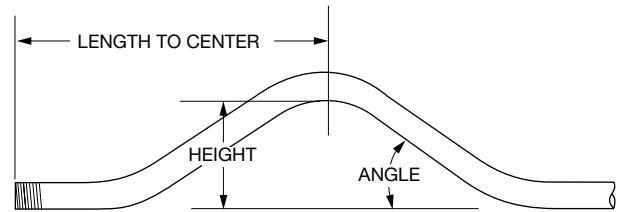
Cómo avanzar hacia un obstáculo

1. Seleccione el diámetro y tipo de tubería portacables. Mida la altura del obstáculo y la distancia titulada **LONGITUD HASTA EL EXTREMO DEL SEGUNDO DOBLEZ**. Determine el ángulo que se va a utilizar.
2. Encuentre la tabla que corresponda al tamaño y tipo de tubería portacables seleccionada en el Paso 1.
3. Bajo la columna titulada **ÁNGULO**, encuentre el ángulo apropiado. Encuentre la fila titulada **Z**. En la fila de la parte superior de la página, encuentre la altura (**A**) de la desviación. El número mostrado donde se cruzan la fila **Z** y la columna **A** es **Z**. Reste **Z** de **LONGITUD HACIA EL EXTREMO DEL SEGUNDO PLIEGUE**. Coloque la primera marca de plegado a esta distancia del extremo del tubo portacables.
4. En la misma columna, encuentre la fila titulada **L1**. Coloque la segunda marca de plegado a **L1** pulgadas de la primera marca de plegado.
5. Doble la tubería portacables.



SILLA DE TRES PLEGADOS

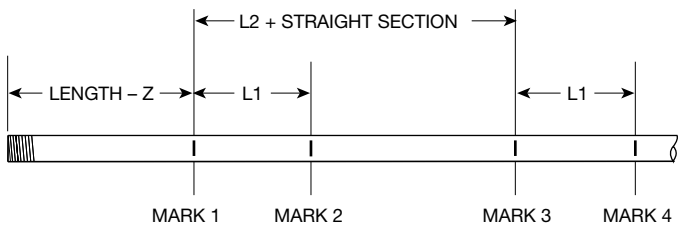
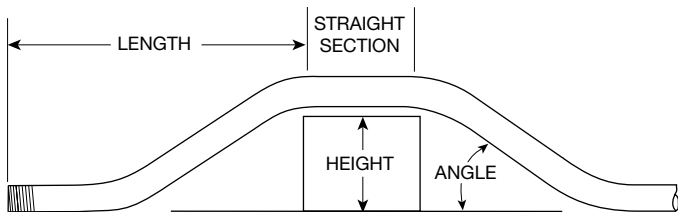
1. Seleccione el diámetro y tipo de tubería portacables. Mida la altura del obstáculo y la distancia desde el extremo del tubo portacables al centro (**LONGITUD AL CENTRO**) del doblez. Determine el ángulo que se va a utilizar.
2. Encuentre la tabla que corresponda al tamaño y tipo de tubería portacables seleccionada en el paso 1.
3. Bajo la columna titulada **ÁNGULO**, encuentre el ángulo apropiado. Encuentre la fila titulada **Z**. En la fila de la parte superior de la página, encuentre la altura (**A**) de la desviación. El número mostrado donde se intersectan la fila **Z** y la columna **A** apropiada es **Z**. Reste **Z** de **LONGITUD HASTA EL CENTRO**. Coloque la primera marca de plegado a esta distancia del extremo del tubo portacables.
4. En la misma columna, encuentre la fila titulada **L1**. Coloque la segunda marca de plegado a **L1** pulgadas de la primera marca de plegado.
5. En la misma columna, encuentre la fila titulada **L2**. Coloque la tercera marca de plegado a **L2** pulgadas de la segunda marca de plegado.
6. Doble la tubería portacables.



Instrucciones de plegado adicionales (cont.)

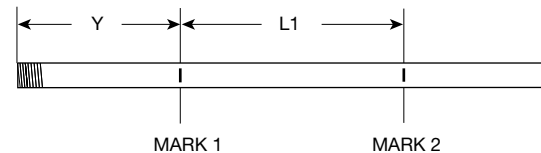
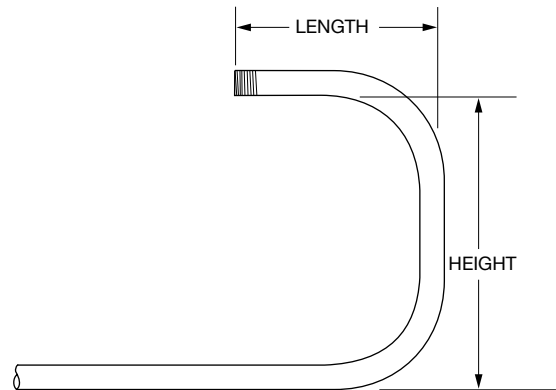
SILLA DE CUATRO PLEGADOS

1. Seleccione el diámetro y tipo de tubería portacables. Mida la altura del obstáculo, la distancia titulada LONGITUD, y la distancia titulada SECCIÓN RECTA. Determine el ángulo que se va a utilizar.
2. Encuentre la tabla que corresponda al tamaño y tipo de tubería portacables seleccionada en el paso 1.
3. Bajo la columna titulada **ÁNGULO**, encuentre el ángulo apropiado. Encuentre la fila titulada **Z**. En la fila de la parte superior de la página, encuentre la altura (**A**) de la desviación. El número mostrado donde se intersectan la fila **Z** y la columna **A** apropiada es **Z**. Reste **Z** de **LONGITUD**. Coloque la primera marca de plegado a esta distancia del extremo del tubo portacables.
4. En la misma columna, encuentre la fila titulada **L1**. Coloque la segunda marca de plegado a **L1** pulgadas de la primera marca de plegado.
5. En la misma columna, encuentre la fila titulada **L2**. Añada **L2** a la **SECCIÓN RECTA**. Coloque la tercera marca de plegado a esta distancia de la primera marca de plegado.
6. Coloque la última marca de plegado a **L1** pulgadas de la tercera marca de plegado.
7. Doble la tubería portacables.



PLEGADOS EN FORMA DE U

1. Seleccione el diámetro y tipo de tubería portacables. Determine la **LONGITUD** y la **ALTURA**.
2. Encuentre la tabla que corresponda al tamaño y tipo de tubería portacables seleccionada en el paso 1.
3. Bajo la columna titulada **ÁNGULO**, encuentre **90°**.
4. Encuentre la fila titulada **Y**. En la fila de la parte superior de la página, encuentre la altura (**A**) que corresponde a la **LONGITUD**. El número mostrado donde se intersectan la fila **Y** y la columna **A** apropiada es la distancia **Y**. Coloque la marca de plegado a **Y** milímetros del extremo de la tubería portacables.
5. Encuentre la fila titulada **L1**; luego vaya a la derecha y encuentre la altura (**A**) que corresponde a la **ALTURA**.
6. El número mostrado donde se intersectan la fila **L1** y la columna **A** apropiada es **L1**. Coloque la segunda marca de plegado a **L1** pulgadas de la primera marca.
7. Doble la tubería portacables.



Tablas de plegado adicionales

	DIM.	ÁNGULO	2 in	4 in	6 in	8 in	10 in	12 in	15 in	18 in	24 in	36 in
EMT de 1 in												
	Y	15	0,49	8,22	15,94	23,67	31,40	39,13	50,72	62,31	85,49	131,85
	L1	15	7,72	15,44	23,17	30,90	38,63	46,35	57,94	69,54	92,72	139,08
	L2	15	9,61	17,34	25,06	32,79	40,52	48,25	59,84	71,43	94,61	140,98
	Z	15	13,41	20,87	28,34	35,80	43,27	50,73	61,93	73,12	95,51	140,30
ALTURA MÍNIMA = 1,54												
	Y	22,5		3,45	8,68	13,91	19,13	24,36	32,20	40,04	55,72	87,07
	L1	22,5	5,19	10,42	15,64	20,87	26,09	31,32	39,16	47,00	62,68	94,04
	L2	22,5	8,03	13,26	18,48	23,71	28,93	34,16	42,00	49,84	65,52	96,88
	Z	22,5	11,75	16,57	21,40	26,23	31,06	35,89	43,13	50,37	64,86	93,83
ALTURA MÍNIMA = 2,65												
	Y	30		0,86	4,86	8,86	12,86	16,86	22,86	28,86	40,86	64,86
	L1	30	3,91	7,91	11,91	15,91	19,91	23,91	29,91	35,91	47,91	71,91
	L2	30	7,70	11,70	15,70	19,70	23,70	27,70	33,70	39,70	51,70	75,70
	Z	30	11,38	14,84	18,31	21,77	25,24	28,70	33,90	39,09	49,49	70,27
ALTURA MÍNIMA = 3,96												
	Y	45			0,63	3,46	6,28	9,11	13,35	17,60	26,08	43,05
	L1	45			8,17	11,00	13,83	16,66	20,90	25,14	33,63	50,60
	L2	45			13,85	16,68	19,51	22,34	26,58	30,83	39,31	56,28
	Z	45			16,03	18,03	20,03	22,03	25,03	28,03	34,03	46,03
ALTURA MÍNIMA = 7,09												
	Y	60				0,35	2,66	4,97	8,43	11,90	18,83	32,68
	L1	60					10,77	13,08	16,54	20,01	26,94	40,79
	L2	60					18,34	20,65	24,12	27,58	34,51	48,37
	Z	60					18,17	19,32	21,05	22,78	26,25	33,18
ALTURA MÍNIMA = 10,73												
	Y	90						0,15	3,15	6,15	12,15	24,15
	L1	90								14,90	20,90	32,90
	L2	90								26,26	32,26	44,26
	Z	90								18,51	18,51	18,51
ALTURA MÍNIMA = 18,51												
EMT de 1-1/4 in												
	Y	15		6,43	14,15	21,88	29,61	37,34	48,93	60,52	83,70	130,06
	L1	15	7,71	15,44	23,17	30,90	38,62	46,35	57,94	69,53	92,72	139,08
	L2	15	9,95	17,67	25,40	33,13	40,86	48,58	60,17	71,77	94,95	141,31
	Z	15	14,70	22,16	29,63	37,09	44,56	52,02	63,22	74,41	96,80	141,59
ALTURA MÍNIMA = 1,87												
	Y	22,5		1,79	7,02	12,25	17,47	22,70	30,54	38,38	54,06	85,41
	L1	22,5	5,18	10,41	15,64	20,86	26,09	31,31	39,15	46,99	62,67	94,03
	L2	22,5	8,53	13,76	18,98	24,21	29,44	34,66	42,50	50,34	66,02	97,38
	Z	22,5	13,21	18,04	22,87	27,70	32,52	37,35	44,59	51,84	66,32	95,29
ALTURA MÍNIMA = 3,21												
	Y	30			3,22	7,22	11,22	15,22	21,22	27,22	39,22	63,22
	L1	30		7,90	11,90	15,90	19,90	23,90	29,90	35,90	47,90	71,90
	L2	30		12,36	16,36	20,36	24,36	28,36	34,36	40,36	52,36	76,36
	Z	30		16,49	19,95	23,41	26,88	30,34	35,54	40,74	51,13	71,91
ALTURA MÍNIMA = 4,78												
	Y	45				1,72	4,55	7,38	11,62	15,87	24,35	41,32
	L1	45				10,95	13,78	16,60	20,85	25,09	33,57	50,54
	L2	45				17,64	20,47	23,30	27,54	31,78	40,27	57,24
	Z	45				20,05	22,05	24,05	27,05	30,05	36,05	48,05
ALTURA MÍNIMA = 8,52												
	Y	60					0,76	3,07	6,54	10,00	16,93	30,79
	L1	60						12,94	16,40	19,87	26,80	40,65
	L2	60						21,87	25,33	28,80	35,72	49,58
	Z	60						21,76	23,49	25,23	28,69	35,62
ALTURA MÍNIMA = 12,85												
	Y	90							0,73	3,73	9,73	21,73
	L1	90								14,34	20,34	32,34
	L2	90								27,73	33,73	45,73
	Z	90								22,04	22,04	22,04
ALTURA MÍNIMA = 22,04												

Tablas de plegado adicionales (cont.)

	DIM.	ÁNGULO	2 in	4 in	6 in	8 in	10 in	12 in	15 in	18 in	24 in	36 in
EMT de 1-1/2 in												
	Y	15		5,20	12,93	20,65	28,38	36,11	47,70	59,29	82,47	128,84
	L1	15	7,71	15,44	23,17	30,90	38,62	46,35	57,94	69,53	92,72	139,08
	L2	15	9,97	17,70	25,43	33,15	40,88	48,61	60,20	71,79	94,97	141,34
	Z	15	15,49	22,96	30,42	37,89	45,35	52,81	64,01	75,21	97,60	142,38
ALTURA MÍNIMA = 2,08												
	Y	22,5		0,70	5,93	11,16	16,38	21,61	29,45	37,29	52,97	84,32
	L1	22,5	5,18	10,41	15,63	20,86	26,09	31,31	39,15	46,99	62,67	94,03
	L2	22,5	8,57	13,79	19,02	24,25	29,47	34,70	42,54	50,38	66,06	97,41
	Z	22,5	14,02	18,85	23,67	28,50	33,33	38,16	45,40	52,64	67,13	96,10
ALTURA MÍNIMA = 3,52												
	Y	30			2,19	6,19	10,19	14,19	20,19	26,19	38,19	62,19
	L1	30		7,89	11,89	15,89	19,89	23,89	29,89	35,89	47,89	71,89
	L2	30		12,41	16,41	20,41	24,41	28,41	34,41	40,41	52,41	76,41
	Z	30		17,31	20,77	24,23	27,70	31,16	36,36	41,56	51,95	72,73
ALTURA MÍNIMA = 5,19												
	Y	45				0,75	3,58	6,41	10,65	14,90	23,38	40,35
	L1	45				10,94	13,77	16,60	20,84	25,09	33,57	50,54
	L2	45				17,71	20,54	23,37	27,61	31,85	40,34	57,31
	Z	45				20,90	22,90	24,90	27,90	30,90	36,90	48,90
ALTURA MÍNIMA = 9,12												
	Y	60						2,12	5,58	9,04	15,97	29,83
	L1	60						12,93	16,39	19,86	26,79	40,64
	L2	60						21,95	25,42	28,88	35,81	49,67
	Z	60						22,64	24,37	26,10	29,57	36,50
ALTURA MÍNIMA = 13,61												
	Y	90								2,75	8,75	20,75
	L1	90								14,30	20,30	32,30
	L2	90								27,84	33,84	45,84
	Z	90								23,00	23,00	23,00
ALTURA MÍNIMA = 23,00												
EMT de 2 in												
	Y	15		3,79	11,51	19,24	26,97	34,70	46,29	57,88	81,06	127,42
	L1	15	7,71	15,44	23,17	30,90	38,62	46,35	57,94	69,53	92,71	139,08
	L2	15	10,22	17,94	25,67	33,40	41,12	48,85	60,44	72,03	95,22	141,58
	Z	15	16,14	23,60	31,07	38,53	46,00	53,46	64,66	75,85	98,25	143,03
ALTURA MÍNIMA = 2,25												
	Y	22,5			4,74	9,97	15,20	20,42	28,26	36,10	51,78	83,14
	L1	22,5	5,18	10,40	15,63	20,86	26,08	31,31	39,15	46,99	62,67	94,02
	L2	22,5	8,93	14,16	19,38	24,61	29,84	35,06	42,90	50,74	66,42	97,78
	Z	22,5	14,79	19,62	24,45	29,28	34,10	38,93	46,18	53,42	67,90	96,87
ALTURA MÍNIMA = 3,81												
	Y	30			1,08	5,08	9,08	13,08	19,08	25,08	37,08	61,08
	L1	30		7,88	11,88	15,88	19,88	23,88	29,88	35,88	47,88	71,88
	L2	30		12,89	16,89	20,89	24,89	28,89	34,89	40,89	52,89	76,89
	Z	30		18,21	21,67	25,14	28,60	32,07	37,26	42,46	52,85	73,64
ALTURA MÍNIMA = 5,64												
	Y	45					2,47	5,30	9,54	13,78	22,27	39,24
	L1	45				10,90	13,73	16,56	20,80	25,04	33,53	50,50
	L2	45				18,41	21,24	24,07	28,31	32,55	41,04	58,01
	Z	45				22,08	24,08	26,08	29,08	32,08	38,08	50,08
ALTURA MÍNIMA = 9,95												
	Y	60						0,91	4,37	7,84	14,76	28,62
	L1	60						12,83	16,29	19,76	26,69	40,54
	L2	60						22,84	26,30	29,77	36,69	50,55
	Z	60						24,12	25,86	27,59	31,05	37,98
ALTURA MÍNIMA = 14,89												
	Y	90								1,18	7,18	19,18
	L1	90									19,90	31,90
	L2	90									34,91	46,91
	Z	90									25,28	25,28
ALTURA MÍNIMA = 25,28												

Tablas de plegado adicionales (cont.)

	DIM.	ÁNGULO	2 in	4 in	6 in	8 in	10 in	12 in	15 in	18 in	24 in	36 in
Tubería portacables de 1 in IMC, de acero rígido y de aluminio rígido												
	Y	15	0,19	7,91	15,64	23,37	31,09	38,82	50,41	62,00	85,19	131,55
	L1	15	7,72	15,44	23,17	30,90	38,63	46,35	57,94	69,54	92,72	139,08
	L2	15	9,59	17,32	25,04	32,77	40,50	48,23	59,82	71,41	94,59	140,96
	Z	15	13,41	20,87	28,34	35,80	43,26	50,73	61,92	73,12	95,51	140,30
ALTURA MÍNIMA = 1,54												
	Y	22,5		3,25	8,48	13,70	18,93	24,16	32,00	39,84	55,51	86,87
	L1	22,5	5,19	10,42	15,64	20,87	26,09	31,32	39,16	47,00	62,68	94,04
	L2	22,5	8,00	13,23	18,45	23,68	28,90	34,13	41,97	49,81	65,49	96,85
	Z	22,5	11,73	16,56	21,39	26,22	31,05	35,88	43,12	50,36	64,85	93,82
ALTURA MÍNIMA = 2,64												
	Y	30		0,71	4,71	8,71	12,71	16,71	22,71	28,71	40,71	64,71
	L1	30	3,91	7,91	11,91	15,91	19,91	23,91	29,91	35,91	47,91	71,91
	L2	30	7,66	11,66	15,66	19,66	23,66	27,66	33,66	39,66	51,66	75,66
	Z	30	11,36	14,82	18,29	21,75	25,21	28,68	33,87	39,07	49,46	70,25
ALTURA MÍNIMA = 3,95												
	Y	45		0,53	3,36	6,19	9,02	13,26	17,50	25,99	42,96	
	L1	45		8,18	11,01	13,83	16,66	20,91	25,15	33,63	50,60	
	L2	45		13,80	16,63	19,45	22,28	26,52	30,77	39,25	56,22	
	Z	45		15,99	17,99	19,99	21,99	24,99	27,99	33,99	45,99	
ALTURA MÍNIMA = 7,06												
	Y	60				0,29	2,60	4,91	8,37	11,83	18,76	32,62
	L1	60					10,78	13,09	16,55	20,02	26,94	40,80
	L2	60					18,27	20,58	24,04	27,51	34,44	48,29
	Z	60					18,09	19,25	20,98	22,71	26,18	33,11
ALTURA MÍNIMA = 10,67												
	Y	90						0,13	3,13	6,13	12,13	24,13
	L1	90								14,93	20,93	32,93
	L2	90								26,17	32,17	44,17
	Z	90								18,37	18,37	18,37
ALTURA MÍNIMA = 18,37												
Tubería portacables de 1-1/4 in IMC, de acero rígido y de aluminio rígido												
	Y	15		6,00	13,72	21,45	29,18	36,90	48,50	60,09	83,27	129,63
	L1	15	7,71	15,44	23,17	30,90	38,62	46,35	57,94	69,53	92,72	139,08
	L2	15	9,93	17,65	25,38	33,11	40,84	48,56	60,16	71,75	94,93	141,29
	Z	15	14,83	22,29	29,76	37,22	44,69	52,15	63,35	74,54	96,93	141,72
ALTURA MÍNIMA = 1,91												
	Y	22,5		1,46	6,69	11,91	17,14	22,37	30,21	38,05	53,72	85,08
	L1	22,5	5,18	10,41	15,64	20,86	26,09	31,31	39,15	46,99	62,67	94,03
	L2	22,5	8,50	13,73	18,95	24,18	29,41	34,63	42,47	50,31	65,99	97,35
	Z	22,5	13,33	18,16	22,99	27,82	32,64	37,47	44,72	51,96	66,44	95,41
ALTURA MÍNIMA = 3,25												
	Y	30			2,94	6,94	10,94	14,94	20,94	26,94	38,94	62,94
	L1	30		7,90	11,90	15,90	19,90	23,90	29,90	35,90	47,90	71,90
	L2	30		12,32	16,32	20,32	24,32	28,32	34,32	40,32	52,32	76,32
	Z	30		16,60	20,06	23,53	26,99	30,45	35,65	40,85	51,24	72,02
ALTURA MÍNIMA = 4,83												
	Y	45			1,50	4,33	7,16	11,40	15,64	24,13	41,10	
	L1	45			10,95	13,78	16,61	20,85	25,09	33,58	50,55	
	L2	45			17,59	20,42	23,25	27,49	31,73	40,22	57,19	
	Z	45			20,14	22,14	24,14	27,14	30,14	36,14	48,14	
ALTURA MÍNIMA = 8,59												
	Y	60				0,57	2,88	6,34	9,81	16,73	30,59	
	L1	60					12,95	16,41	19,88	26,80	40,66	
	L2	60					21,80	25,26	28,73	35,66	49,51	
	Z	60					21,83	23,56	25,29	28,76	35,68	
ALTURA MÍNIMA = 12,90												
	Y	90						0,58	3,58	9,58	21,58	
	L1	90							14,37	20,37	32,37	
	L2	90							27,65	33,65	45,65	
	Z	90							22,04	22,04	22,04	
ALTURA MÍNIMA = 22,04												

Tablas de plegado adicionales (cont.)

	DIM.	ÁNGULO	2 in	4 in	6 in	8 in	10 in	12 in	15 in	18 in	24 in	36 in
Tubería portacables de 1-1/2 in IMC, de acero rígido y de aluminio rígido												
	Y	15		4,75	12,48	20,21	27,93	35,66	47,25	58,84	82,03	128,39
	L1	15	7,71	15,44	23,17	30,90	38,62	46,35	57,94	69,53	92,72	139,08
	L2	15	9,95	17,68	25,40	33,13	40,86	48,58	60,18	71,77	94,95	141,31
	Z	15	15,62	23,08	30,55	38,01	45,48	52,94	64,14	75,33	97,73	142,51
ALTURA MÍNIMA = 2,11												
	Y	22,5		0,36	5,59	10,82	16,04	21,27	29,11	36,95	52,63	83,98
	L1	22,5	5,18	10,41	15,64	20,86	26,09	31,31	39,15	46,99	62,67	94,03
	L2	22,5	8,53	13,76	18,98	24,21	29,44	34,66	42,50	50,34	66,02	97,38
	Z	22,5	14,13	18,96	23,79	28,62	33,45	38,27	45,52	52,76	67,24	96,22
ALTURA MÍNIMA = 3,56												
	Y	30		1,90	5,90	9,90	13,90	19,90	25,90	37,90	61,90	
	L1	30		7,90	11,90	15,90	19,90	23,90	29,90	35,90	47,90	71,90
	L2	30		12,36	16,36	20,36	24,36	28,36	34,36	40,36	52,36	76,36
	Z	30		17,41	20,87	24,34	27,80	31,27	36,46	41,66	52,05	72,83
ALTURA MÍNIMA = 5,24												
	Y	45			0,53	3,36	6,18	10,43	14,67	23,15	40,12	
	L1	45			10,95	13,78	16,60	20,85	25,09	33,57	50,54	
	L2	45			17,65	20,47	23,30	27,55	31,79	40,27	57,24	
	Z	45			20,98	22,98	24,98	27,98	30,98	36,98	48,98	
ALTURA MÍNIMA = 9,18												
	Y	60					1,92	5,39	8,85	15,78	29,64	
	L1	60					12,94	16,40	19,87	26,80	40,65	
	L2	60					21,87	25,34	28,80	35,73	49,58	
	Z	60					22,69	24,42	26,15	29,62	36,54	
ALTURA MÍNIMA = 13,65												
	Y	90							2,61	8,61	20,61	
	L1	90							14,34	20,34	32,34	
	L2	90							27,74	33,74	45,74	
	Z	90							22,97	22,97	22,97	
ALTURA MÍNIMA = 22,97												
Tubería portacables de 2 in IMC, de acero rígido y de aluminio rígido												
	Y	15		3,46	11,18	18,91	26,64	34,36	45,96	57,55	80,73	127,09
	L1	15	7,71	15,44	23,17	30,90	38,62	46,35	57,94	69,53	92,71	139,08
	L2	15	10,14	17,87	25,60	33,32	41,05	48,78	60,37	71,96	95,14	141,51
	Z	15	16,10	23,56	31,03	38,49	45,95	53,42	64,61	75,81	98,20	142,99
ALTURA MÍNIMA = 2,23												
	Y	22,5		4,54	9,77	14,99	20,22	28,06	35,90	51,58	82,93	
	L1	22,5	5,18	10,40	15,63	20,86	26,08	31,31	39,15	46,99	62,67	94,02
	L2	22,5	8,82	14,05	19,28	24,50	29,73	34,95	42,79	50,63	66,31	97,67
	Z	22,5	14,71	19,54	24,37	29,20	34,02	38,85	46,09	53,34	67,82	96,79
ALTURA MÍNIMA = 3,78												
	Y	30		0,95	4,95	8,95	12,95	18,95	24,95	36,95	60,95	
	L1	30		7,89	11,89	15,89	19,89	23,89	29,89	35,89	47,89	71,89
	L2	30		12,74	16,74	20,74	24,74	28,74	34,74	40,74	52,74	76,74
	Z	30		18,09	21,55	25,02	28,48	31,95	37,14	42,34	52,73	73,52
ALTURA MÍNIMA = 5,58												
	Y	45				2,43	5,26	9,50	13,74	22,23	39,20	
	L1	45				10,91	13,74	16,57	20,81	25,06	33,54	50,51
	L2	45				18,20	21,03	23,86	28,10	32,34	40,83	57,80
	Z	45				21,88	23,88	25,88	28,88	31,88	37,88	49,88
ALTURA MÍNIMA = 9,81												
	Y	60					0,94	4,40	7,87	14,79	28,65	
	L1	60					12,86	16,32	19,79	26,72	40,57	
	L2	60					22,58	26,04	29,50	36,43	50,29	
	Z	60					23,83	25,56	27,30	30,76	37,69	
ALTURA MÍNIMA = 14,64												
	Y	90							1,34	7,34	19,34	
	L1	90								20,02	32,02	
	L2	90								34,59	46,59	
	Z	90								24,75	24,75	
ALTURA MÍNIMA = 24,27												

Mantenimiento

Reconversión de zapata combinada de 1 a 2 in

La zapata base de 1 a 2 in puede reconvertirse solamente en una posición.

1. Deslice la zapata en el husillo y oriéntela de manera que el gancho EMT (plateado) se encuentre aproximadamente a 90° hacia la derecha del diente del piñón con dos orificios de orejetas de impulsión.
2. Deslice completamente la zapata para que las orejetas de impulsión enganchen en los orificios del piñón.
3. Fije la zapata con el retenedor de zapata.

Cómo reemplazar el fusible

⚠️ ADVERTENCIA

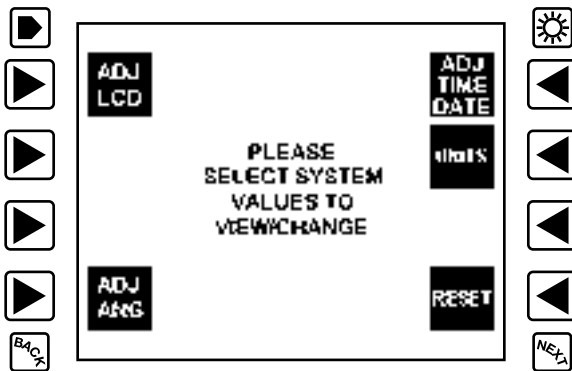
Para obtener protección continua contra riesgos de incendio y electrocución, reemplace el fusible **SOLAMENTE** con fusibles del mismo fabricante, tipo y clasificación.

No prestar atención a esta advertencia puede causar lesiones graves o fatales.

Si es necesario reemplazar el fusible, use solamente un fusible Cooper Bussmann GBB-30 de accionamiento muy rápido, de 6,3 x 32 mm (1/4 x 1-1/4 in).

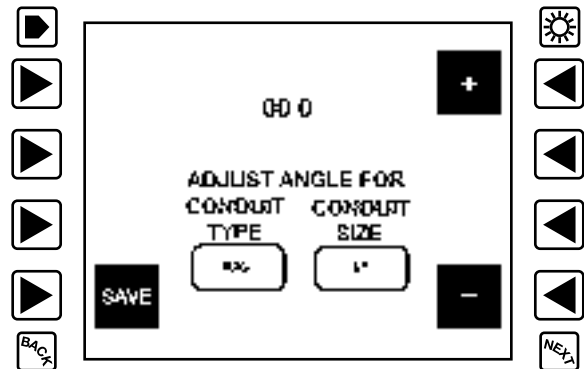
Cómo realizar ajustes en la dobladora

1. Desde la pantalla inicial, presione el botón junto a "SET UP" (Ajuste) para que aparezca la pantalla siguiente.



Nota: La dobladora evitará activamente que el usuario cambie la configuración de la máquina fuera de -10 y -2 grados.

2. Desde esta pantalla, presione el botón junto al tipo de ajuste que usted desea realizar:
 - a. "ADJ LCD" (Ajuste LCD) muestra una pantalla para cambiar el contraste de la pantalla LCD en la dobladora. Presione "+" para aumentar el contraste; presione "-" para reducir el contraste.
 - b. "ADJ TIME DATE" (Ajuste hora fecha) muestra una pantalla que permite ajustar la hora y la fecha en la memoria de la 855GX. Este ajuste es para el reloj en tiempo real accionado por baterías para el sistema. Este reloj se utiliza para ajustar la hora y la fecha en el sello para guardar archivos en la unidad de memoria USB.
 - c. "UNITS" (Unidades) muestra una pantalla para cambiar las unidades de pulgadas a centímetros.
 - d. "RESET" (Restablecer) devuelve la 855GX a los ajustes originales de fábrica, incluyendo el borrado de cualquier programa de plegado almacenado localmente.
 - e. "ADJ ANG" (Ajuste ángulo) muestra la pantalla que aparece a continuación, la cual ajusta el ángulo levemente para corregir según la tubería portacables particular que se está utilizando. Presione "+" y "-" para ajustar el valor. Cuando se obtiene el valor deseado, presione "SAVE" (Guardar) para almacenar permanentemente el valor en la dobladora. El tipo y diámetro de tubería portacables que se está ajustando aparece en la pantalla. Si el tipo y diámetro de tubería portacables mostrados no corresponden con los parámetros que usted desea ajustar, entonces cargue ese tipo de tubería portacables para la detección automática inteligente, o regrese y establezca manualmente la dobladora según ese tipo y diámetro particular de tubería portacables que usted desea ajustar.



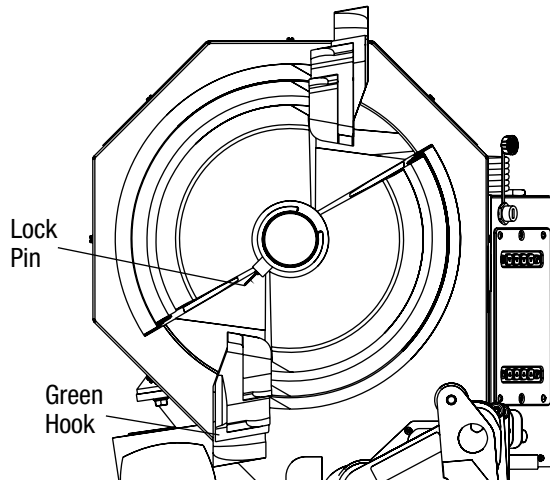
Por ejemplo, si el diámetro particular que usted está plegando resulta constantemente con un exceso de 2°, presione "-" hasta que aparezca -2°. De la misma manera, presione "+" si el pliegue en la tubería portacables es constantemente menor que lo deseado.

Mantenimiento (cont.)

Cómo poner a 0 la 855DX

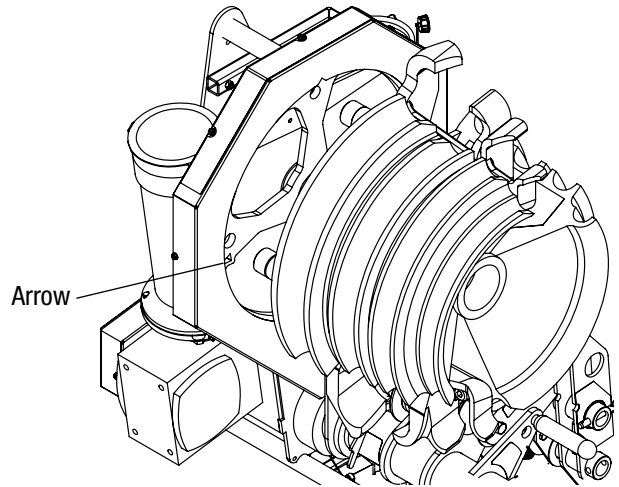
La temporización de la zapata se establece en fábrica y nunca necesitará ajuste a menos que se retire el conjunto del codificador.

1. Gire el cabezal de plegado hasta la posición de plegado vertical.
2. Pulse el botón **BEND** (Plegar) o **UNLOAD** (Descargar) hasta que el gancho verde IMC/rígido esté en la posición de carga (o -5°), como se muestra a continuación.

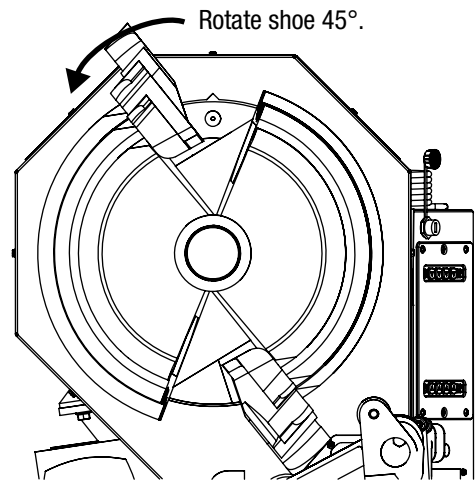


Nota: La dobladora se puede poner a cero sin quitar completamente la zapata solo si la dobladora está en una superficie nivelada.

3. Para poner a cero la dobladora sin quitar completamente la zapata, siga estos pasos; de lo contrario, continúe en el paso 4.
 - a. Compruebe que la dobladora está en una superficie nivelada y que la zapata no se deslizará después de que se haya desbloqueado desde la dobladora. Si la dobladora no está en una superficie nivelada, continúe en el paso 4.
 - b. Compruebe que el diente con la flecha esté en posición de las 3 en punto, según se muestra a continuación.
 - c. Retire el collar de bloqueo y deslice la zapata a 1 in de distancia de la rueda dentada para que los tornillos de la unidad despejen la rueda dentada.



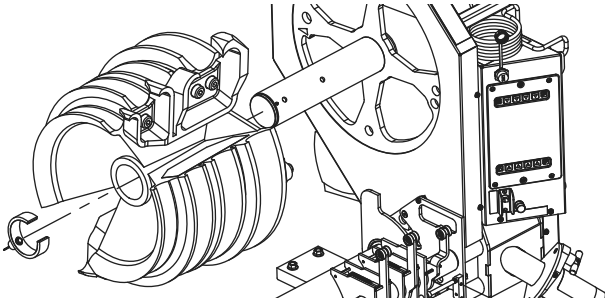
- d. Teniendo cuidado de no impactar los rodillos con los ganchos de la zapata, gire cuidadosamente la zapata 45° en sentido contrario a las agujas del reloj para que el orificio de accionamiento y el cubo de centrado redondo detrás de la rueda dentada sean visibles en la posición de las 12 en punto.



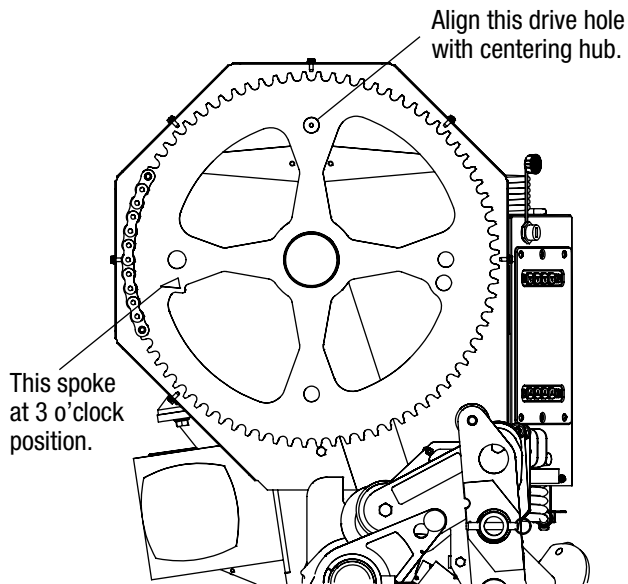
- e. Continúe en el paso 5.

Mantenimiento (cont.)

4. Retire completamente la zapata siguiendo estos pasos.
 - a. Retire el collar de bloqueo y deslice la zapata a 1 in de distancia de la rueda dentada.
 - b. Después de desbloquear la zapata, levante y retire la zapata realizando un elevador para dos personas, con una persona a cada lado de la zapata.

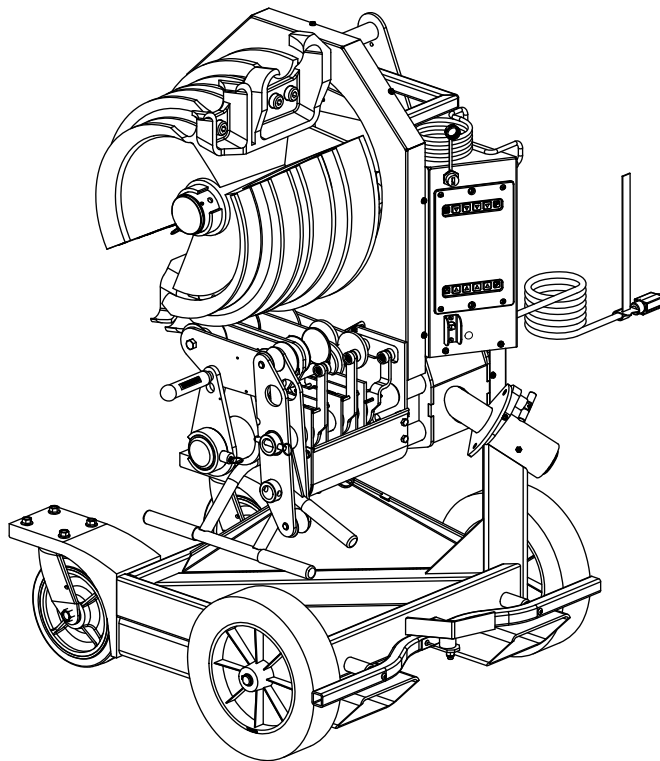


5. Con el botón **BEND** (Plegar) o **UNLOAD** (Descargar), alinee con exactitud el orificio de impulsión en la posición de las 12 en punto con la masa circular de centrado detrás del piñón.



6. Para restablecer y poner a cero la dobladora, primero mantenga presionado el botón **CLEAR** (Borrar) en el colgante, y luego presione y mantenga presionado el botón **JOG** (Avanzar a saltos). Continúe presionando ambos botones hasta que el colgante muestre "--", lo que indica que la dobladora se ha restablecido correctamente y se ha puesto a cero. Los botones deben mantenerse presionado durante aproximadamente 10 segundos.
7. Vuelva a instalar la zapata y el collarín de bloqueo.

MANUEL D'INSTRUCTIONS



Español..... 33
Français..... 65

Cintreuse électrique IntelliBENDER® 855GX



Veillez lire et comprendre toutes les instructions et tous les renseignements de sécurité du présent manuel avant d'utiliser cet outil ou d'en effectuer l'entretien.

Enregistrez ce produit sur www.greenlee.com

Table des matières

Description	66
Sécurité	66
Objet du manuel	66
Informations de sécurité importantes.....	67-69
Instructions de mise à la terre	70
Spécifications	70
Identification	71
Caractéristiques	72
Transport de la cintreuse et de la tête de cintrage pivotante	73
Configuration	74
Fonctionnement	74-83
Sélection manuelle du type et de la taille des conduits	76
Cintrage programmé de base	76
Cintrage entièrement programmé	77-79
Charger un fichier à partir d'un support USB	80
Dépannage du logiciel BendWorks™	81-82
Réglage de la pression	83
Cintrage optionnel pour conduit revêtu de PVC	83
Glossaire de cintrage illustré	80
Instructions de cintrage	85 - 86
Instructions de cintrage supplémentaires	87 - 88
Tableaux de cintrage supplémentaires	90 - 93
Entretien	94 - 96

Description

La cintreuse électrique IntelliBENDER® 855GX de Greenlee est conçue pour le cintrage de conduits et de tuyaux de 1 à 2 po. Cette cintreuse est capable d'accepter les types de conduits et tuyaux suivants :

- Tube métallique pour conduit électrique
- Conduit métallique intermédiaire
- Conduites rigides
- Aluminium rigide
- Conduit rigide revêtu de PVC
- Tuyau de nomenclature 40
- Acier inoxydable rigide

La 855GX comprend un sabot pour cintrer les conduits EMT, IMT et rigides. En complément, des sabots et supports de galets sont disponibles pour cintrer des conduits revêtus de PVC.

Sécurité

Lors de l'utilisation et de l'entretien des outils et de l'équipement de Greenlee, la sécurité est essentielle. Les instructions de ce manuel et celles inscrites sur l'outil fournissent des renseignements qui permettent d'éviter les dangers et les manipulations dangereuses liés à l'utilisation de cet outil. Veuillez respecter toutes les informations de sécurité fournies.

Objet du manuel

Ce manuel a pour objet de familiariser tout le personnel avec les procédures préconisées pour une utilisation et un entretien sans danger de la cintreuse électrique 855GX de Greenlee.

Mettre ce manuel à la disposition de tout le personnel.

Des manuels de remplacement peuvent être obtenus sur demande sans frais sur www.greenlee.com.



Ne pas éliminer ni jeter ce produit! Pour obtenir des renseignements sur le recyclage, rendez-vous sur www.greenlee.com.

Toutes les caractéristiques sont nominales et peuvent changer lorsque des améliorations sont apportées à la conception. Greenlee Tools, Inc. décline toute responsabilité quant aux dommages résultant d'un emploi inadéquat ou d'un mauvais usage de ses produits.

IntelliBENDER et BendWorks sont des marques déposées de Greenlee Tools, Inc.

CONSERVER CE MANUEL

INFORMATIONS DE SÉCURITÉ IMPORTANTES



SYMBOLE D'AVERTISSEMENT DE SÉCURITÉ

Ce symbole met en garde contre les risques ou les pratiques dangereuses pouvant causer des blessures ou des dommages matériels. Le mot indicateur, défini ci-dessous, indique la gravité du danger. Le message après le mot indicateur fournit de l'information qui permet de prévenir ou d'éviter le danger.

⚠ DANGER

Danger immédiat qui, s'il n'est pas évité, ENTRAÎNERA des blessures graves, voire mortelles.

⚠ AVERTISSEMENT

Danger qui, s'il n'est pas évité, POURRAIT entraîner des blessures graves, voire mortelles.

⚠ ATTENTION

Danger ou pratiques dangereuses qui, à défaut d'être évités, PEUVENT entraîner des blessures ou des dommages matériels.



⚠ DANGER

Veillez lire et comprendre toutes les instructions et tous les renseignements de sécurité du présent manuel avant d'utiliser cet outil ou d'en effectuer l'entretien.

Le non-respect de cette mise en garde entraînera des blessures graves, voire mortelles.



⚠ DANGER

Ne pas utiliser cet outil dans un environnement dangereux. Ces dangers comprennent notamment les liquides, gaz et autres matières inflammables. L'utilisation de cet outil dans un environnement dangereux peut provoquer un incendie ou une explosion.

Le non-respect de cette mise en garde entraînera des blessures graves, voire mortelles.

⚠ AVERTISSEMENT

Danger de décharge électrique:

- Inspecter le cordon d'alimentation avant utilisation. Réparer ou remplacer le cordon électrique s'il est endommagé.
- Brancher le cordon électrique uniquement sur une prise de courant de 120 V, 20 A installée sur un circuit protégé par un disjoncteur différentiel. Voir la section «Instructions de mise à la terre».
- Ne pas modifier le cordon d'alimentation ou la prise.
- Débrancher l'outil de l'alimentation avant entretien.

Le non-respect de cette mise en garde peut entraîner des blessures graves, voire mortelles.



⚠ AVERTISSEMENT

Pour maintenir la protection contre les risques d'incendie et d'électrocution, utiliser UNIQUEMENT des fusibles de mêmes marque, type et valeur nominale. Se reporter à la section «Entretien» du présent manuel.

Le non-respect de cette mise en garde peut entraîner des blessures graves, voire mortelles.

⚠ AVERTISSEMENT

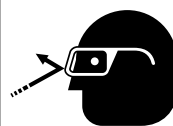


- Ne pas utiliser dans un environnement dangereux. Ne pas utiliser d'outillage électrique dans des endroits humides ou mouillés ni l'exposer à la pluie. Garder la zone de travail bien éclairée.

- Ne pas immerger la télécommande à fil dans l'eau ou tout autre liquide.

Le non-respect de ces mises en garde peut entraîner des blessures graves, voire mortelles.

⚠ AVERTISSEMENT




Toujours porter des lunettes de sécurité. Les lunettes correctrices courantes ont des verres antichoc seulement; ce ne sont PAS des lunettes de sécurité. Pour l'utilisation dans un environnement poussiéreux, porter un masque anti-poussière.

L'absence de protection oculaire peut entraîner des lésions oculaires graves causées par des projections de débris.

INFORMATIONS DE SÉCURITÉ IMPORTANTES


	<p>⚠ AVERTISSEMENT</p> <ul style="list-style-type: none"> • Maintenir les dispositifs de protection en place et en état de fonctionnement. • Enlever tous les outils de la cintreuse avant de l'utiliser. Prendre l'habitude de vérifier que tous les outils ont été enlevés de la cintreuse avant de la mettre en marche. <p>Le non-respect de ces mises en garde peut entraîner des blessures graves, voire mortelles.</p>
---	---

<p>⚠ AVERTISSEMENT</p> <ul style="list-style-type: none"> • Réduire le risque de démarrage intempestif. Vérifier que l'interrupteur est en position d'arrêt avant de brancher l'outil. • Ne jamais laisser l'outil en marche sans surveillance. Mettre hors tension. Ne pas laisser l'outil sans surveillance jusqu'à ce qu'il soit à l'arrêt complet. • Débrancher l'outil avant tout entretien et pour changer des accessoires tels que les sabots, galets et autres. Le démarrage accidentel pourrait entraîner des blessures graves. <p>Le non-respect de ces mises en garde peut entraîner des blessures graves, voire mortelles.</p>
--

	<p>⚠ AVERTISSEMENT</p> <p>Rallonges:</p> <ul style="list-style-type: none"> • N'utiliser que des rallonges à trois fils de 12 AWG qui ont des fiches de type mise à la terre tripolaires et des prises à trois trous compatibles avec la fiche de l'outil. • N'utiliser aucune rallonge de plus de 30 m (100 pi). • Réparer ou remplacer les rallonges endommagées. <p>Le non-respect de ces mises en garde peut entraîner des blessures graves, voire mortelles.</p>
--	---

<p>⚠ AVERTISSEMENT</p> <ul style="list-style-type: none"> • Ne jamais se tenir debout sur l'outil. Des blessures graves peuvent se produire si l'outil est incliné. • Ne pas tendre le bras trop loin. Garder toujours une position assurant un équilibre parfait. <p>Le non-respect de ces mises en garde peut entraîner des blessures graves, voire mortelles.</p>

<p>⚠ AVERTISSEMENT</p> <p>Ajuster l'écartement de la fourche à celui des tubes de fourche de la cintreuse. Vérifier que le frein est serré avant d'insérer les fourches dans les tubes de fourche.</p> <p>Le non-respect de cette mise en garde peut entraîner des blessures graves, voire mortelles.</p>
--

	<p>⚠ AVERTISSEMENT</p> <p>Points de pincement :</p> <ul style="list-style-type: none"> • Tenir les mains à l'écart du sabot de cintrage, des galets et du conduit durant l'utilisation de la cintreuse. • Soutenir le conduit lors de son déchargement. Le conduit peut se détacher et chuter s'il n'est pas correctement soutenu. <p>Le non-respect de ces mises en garde peut entraîner des blessures graves, voire mortelles.</p>
---	---

<p>⚠ ATTENTION</p> <ul style="list-style-type: none"> • Sélectionner la taille et le type de conduit appropriés avant le cintrage. • Sélectionner la gorge de sabot et le galet de support qui conviennent au type et à la taille de conduit avant de procéder au cintrage. • Ne pas cintrer de conduit à plus de 96 degrés. Un sur-cintrage peut provoquer la collision de l'autre crochet de sabot avec le conduit. <p>Le non-respect de ces précautions peut entraîner des blessures ou des dommages matériels.</p>
--

INFORMATIONS DE SÉCURITÉ IMPORTANTES

⚠ ATTENTION

- Le conduit se déplace rapidement durant le cintrage. Le passage du conduit doit être dégagé de tout obstacle. S'assurer que l'espace disponible est suffisant avant de démarrer le cintrage.
- Porter une tenue adaptée. Ne porter aucun(e) vêtement ample, gant, cravate, bague, bracelet ou autre bijou susceptible d'être happé(e) par les pièces mobiles. Il est conseillé de porter des chaussures antidérapantes. Porter un couvre-chef recouvrant les cheveux longs.
- Ne pas forcer les rouleaux ni modifier l'outil. Il fera le travail de manière plus efficace et sécuritaire à la vitesse pour laquelle il a été conçu.
- Utiliser le bon outil. Ne pas forcer l'outil ou l'accessoire à faire un travail pour lequel il n'a pas été conçu.
- Utiliser cet outil pour l'usage prévu par le fabricant uniquement. Toute utilisation autre que celle qui est décrite dans ce manuel peut entraîner des blessures ou des dommages matériels.

Le non-respect de ces précautions peut entraîner des blessures ou des dommages matériels.

⚠ ATTENTION

- Garder l'aire de travail propre. Ranger les aires de travail et les établis pour prévenir les accidents.
- Tenir les enfants à l'écart. Tous les visiteurs doivent être tenus à l'écart de la zone de travail.
- Rendre la conception de l'atelier à l'épreuve des enfants à l'aide de cadenas, d'interrupteurs principaux ou retirer les clés de contact.

Le non-respect de ces précautions peut entraîner des blessures ou des dommages matériels.


⚠ ATTENTION

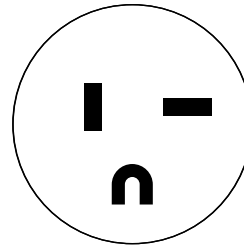
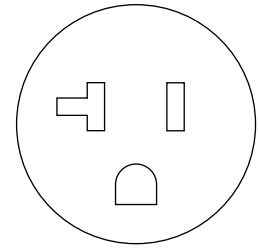
- Contrôler la cintreuse avant utilisation. Remplacer les pièces usées, endommagées ou manquantes par des pièces de rechange Greenlee. Un élément endommagé ou mal assemblé peut se casser et blesser les personnes à proximité.
- Assurer un entretien approprié des outils. Garder l'outil propre pour assurer un fonctionnement optimal et sans danger. Suivre les consignes de lubrification et de changement d'accessoires.
- Vérifier qu'aucune pièce n'est endommagée. Avant de poursuivre l'utilisation de l'outil, toute protection ou autre pièce endommagée doit être contrôlée avec soin pour déterminer si elle fonctionnera correctement et remplira sa fonction. Vérifier le bon alignement des pièces mobiles, les montures, l'absence de pièces grippées ou cassées ou de tout autre problème susceptible d'entraver le bon fonctionnement de l'outil. Tout dispositif de protection ou toute pièce endommagée doit être réparé(e) de façon appropriée ou remplacé(e).
- N'utiliser que les accessoires recommandés. Voir les accessoires recommandés dans le manuel d'instructions. L'utilisation d'un accessoire inadéquat peut entraîner un risque de blessure pour les personnes.
- En raison de leur poids, le levage et l'assemblage de certains accessoires et pièces de la cintreuse peuvent nécessiter plus d'une personne.

Le non-respect de ces précautions peut entraîner des blessures ou des dommages matériels.

Remarque : conserver toutes les décalcomanies dans un état propre et lisible; les remplacer au besoin.

Instructions de mise à la terre

	⚠ AVERTISSEMENT
	<p>Danger de décharge électrique:</p> <ul style="list-style-type: none"> • Ne pas modifier la fiche fournie avec l'outil. • Brancher cet outil sur une prise raccordée à la terre, alimentée par un circuit de 20 A protégé par un disjoncteur différentiel. <p>Le non-respect de ces mises en garde peut entraîner des blessures graves, voire mortelles.</p>

Fiche et prise : 20 A / 120 V

Fiche

Prise

Cet outil doit être mis à la terre. En cas de mauvais fonctionnement ou de panne, la mise à la terre offre un circuit de moindre résistance au courant électrique. Ce chemin de moindre résistance est destiné à réduire le risque d'électrocution.

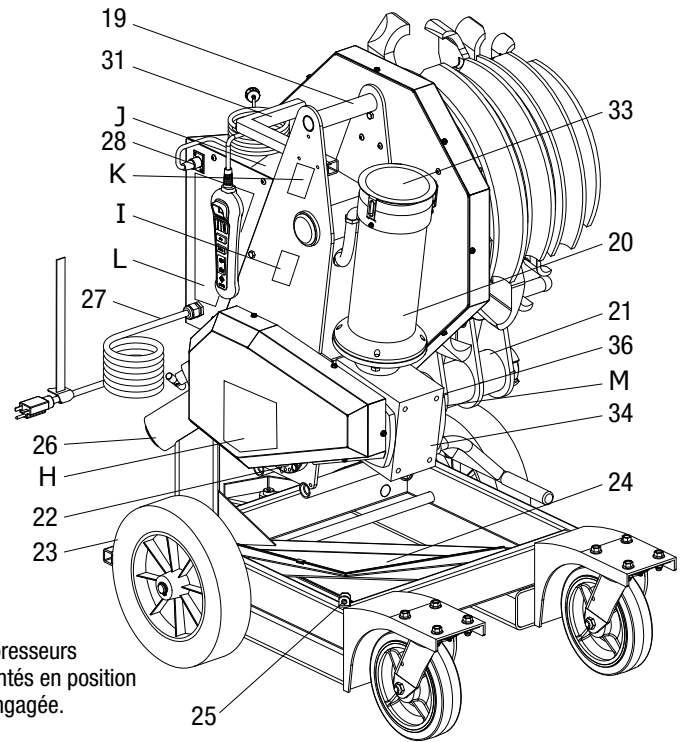
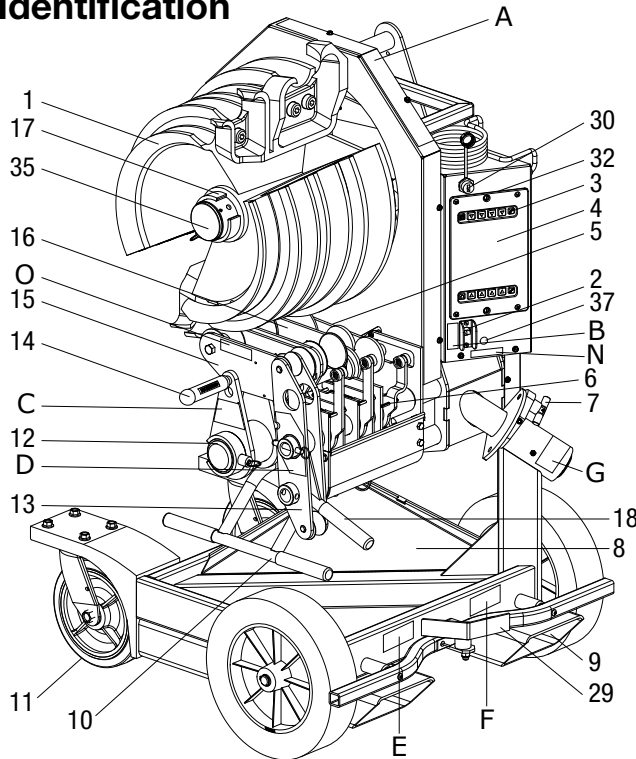
Le cordon électrique de cet outil comporte un conducteur de mise à la terre et une fiche de mise à la terre, tel qu'il est indiqué. Ne pas modifier la fiche. Brancher la fiche sur une prise correspondante protégée par un DDFT, qui a été correctement installée et mise à la terre en conformité avec tout code et règlement national et/ou local en vigueur.

N'utiliser aucun adaptateur.

Ne pas modifier la fiche fournie. Si elle ne passe pas dans la prise, faire installer une prise appropriée par un électricien qualifié. Le raccordement incorrect du conducteur de mise à la terre peut présenter un risque d'électrocution. Le conducteur dont la gaine isolante a une surface extérieure verte avec ou sans bandes jaunes est le conducteur de mise à la terre. Si le cordon électrique ou sa fiche doivent être réparés ou changés, ne pas raccorder le conducteur de mise à la terre à une borne sous tension. S'adresser à un électricien ou à un personnel d'entretien qualifié si les consignes de mise à la terre ne sont pas complètement comprises ou en cas de doute concernant la mise à la terre appropriée de l'outil.

Caractéristiques

Hauteur (en position de cintrage vertical).....	117,1 cm (46,1 po)
Largeur.....	74,7 cm (29,4 po)
Profondeur (en position de cintrage vertical)	84 cm (33,0 po)
Masse / poids (cintreuse avec sabots et supports de galet)	230 kg (507 lb)
Alimentation.....	120 VCA, Prise protégée par un DDFT de 20 A
Conditions d'utilisation	
Température.....	- 20 °C à 49 °C (-5 °F à 120 °F)
Humidité relative	0% à 98%
Capacité	Conduit de 25,4 mm (1 po) à 50,1 mm (2 po), tuyau de nomenclature 40

Identification


Galets presseurs représentés en position levée/engagée.

Caractéristiques techniques

1. Sabot de 1 po à 2 in pour EMT / IMC / conduit rigide
2. Interrupteur / disjoncteur principal d'alimentation (marche-arrêt)
3. Touches de programmation du cintrage
4. Afficheur ACL rétroéclairé
5. Support de galet de 2 in
6. Levier à déclenchement pour la détermination de la taille de conduit
7. Verrouillage de la détente du pivotement de la tête de cintrage
8. Lieu de rangement
9. Tube de fourche
10. Poignée de transport
11. Roulettes pivotantes
12. Collier de retenue du support de galet
13. Support de galet de 1 in
14. Poignée d'engagement du galet
15. Support de galet de 1-1/4 in
16. Support de galet de 1-1/2 in
17. Collier de retenue du sabot
18. Poignée de pivot inférieure
19. Barre de levage pour palan
20. Moteur
21. Support de rouleau
22. Réglage de la pression
23. Roues arrière
24. Couvercle du rangement
25. Taquet de verrouillage du rangement
26. Pivot de tête de cintrage

27. Cordon électrique à courroie d'attache
28. Prise pour télécommande
29. Frein
30. Port USB
31. Poignée de pivot supérieure
32. Protection de l'ACL
33. Capot protecteur du moteur
34. Boîte d'engrenages
35. Codeur absolu
36. Levier de relâchement de la pression du galet
37. Porte-fusible

Autocollants

- A. Cintrage
- B. Disjoncteur
- C. Galets d'engagement
- D. Galet EMT / IMC de 1 in
- E. Frein
- F. Tube de fourche
- G. Pivot
- H. Pression
- I. Identification
- J. Instruction
- K. Levage
- L. Avertissement
- M. Dégagement du support
- N. Avertissement de fusible
- O. Galets de levage

Caractéristiques techniques

- Cintrage à sabot unique pour les conduits EMT, IMC et rigide de 25,4 mm (1 po) à 50,1 mm (2 po).
- Possibilité de cintrage de conduits de 12,7 mm (1/2 po) à 50,1 mm (2 po) revêtus de PVC avec un groupe de sabots optionnel.
- Quatre grandes roues pour un déplacement facile.
- Hauteur de travail au niveau de la taille.
- Système de galet breveté s'ajustant automatiquement aux conduits IMC et EMT.
- Brevet en instance du système de détection du type et de la taille du conduit permettant la rapidité du chargement et du cintrage à l'angle désiré.
- Pas de remise à zéro ou de réglage initial—charger simplement le conduit et cintrer.
- La cintreuse compense automatiquement le retour élastique—cintrer tout simplement à l'angle désiré.
- Le réglage de la pression s'accommode de variations dans les conduits.
- Écran ACL lumineux à contraste réglable pour la programmation facile des paramètres de cintrage et illustrations dimensionnelles pour faire des marques sur le conduit.
- Mémoire programmable pour arrêter la cintreuse à tout angle programmé.
- Angles courants présélectionnés à l'aide d'une seule touche.
- Afficheur numérique montrant l'angle de cintrage sur la télécommande.
- Ordinateur donnant les dimensions pour les marques d'alignement des colonnes, des coudes, des décalages, des dos d'ânes à trois et quatre coudes et des cintrages en U pour toute hauteur, longueur et tout angle. Programmé pour des transferts à d'autres cintreuses 855GX. Les cintrages programmés peuvent aussi être téléchargés vers la cintreuse depuis des cintrages programmés sur ordinateur. Les cintrages peuvent être sauvegardés sur une clé USB.
- Programmé pour des transferts à d'autres cintreuses 855GX.
- Cintrages programmés pouvant aussi être téléchargés vers la cintreuse depuis des cintrages programmés sur ordinateur.
- Cintrages pouvant être sauvegardés sur clé par le port USB.
- Télécommande amovible (brevet en instance) empêchant l'utilisation non autorisée de la cintreuse. Télécommande munie d'un soutien de câble et d'aimants en terre rare pour la maintenir sur des surfaces en acier.
- Rangement verrouillable pour la télécommande, le manuel d'instructions, etc.
- Barre de levage pour un accrochage facile sous un palan.
- Tubes de fourches incorporés pour un transport facile sur chariot élévateur.
- Poignée réglable en hauteur pour un déplacement facile et confortable.
- Frein de roue arrière pour assurer l'immobilisation pendant l'utilisation.
- Colliers de retenue à dégagement rapide pour le sabot de cintrage et les galets.
- Goupille de verrouillage à dégagement rapide permettant de faire pivoter facilement la cintreuse entre les positions verticale et horizontale.

Transport de la cintreuse et de la tête de cintrage pivotante

Voir la section « Identification » de ce manuel.

Pour déplacer la cintreuse sur le sol :

1. Faire pivoter la tête de cintrage en position de cintrage horizontal.
2. Enfoncer la poignée de pivot inférieure (18) pour enlever la précharge sur la goupille à détente (7) tout en dégageant celle-ci.
3. Faire pivoter la tête de cintrage comme illustré ci-dessous jusqu'au verrouillage en position horizontale.
4. Enlever les goupilles de verrouillage de la poignée et relever la poignée jusqu'à la hauteur désirée.
5. Inverser les étapes de 1 à 4 pour remettre la tête de cintrage dans sa position verticale.

Pour transporter la cintreuse avec un chariot élévateur :

Insérer les fourches dans les tubes de fourche (9) et soulever.

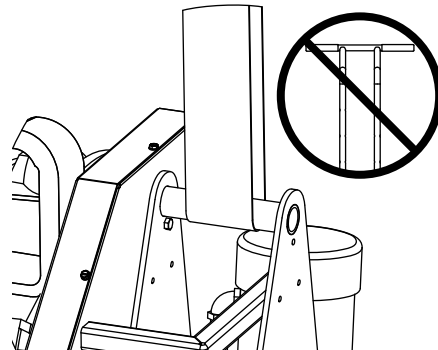
AVERTISSEMENT

Ajuster l'écartement de la fourche à celui des tubes de fourche de la cintreuse. Vérifier que le frein est serré avant d'insérer les fourches dans les tubes de fourche.

Le non-respect de cette mise en garde peut entraîner des blessures graves, voire mortelles.

Pour transporter la cintreuse avec une grue :

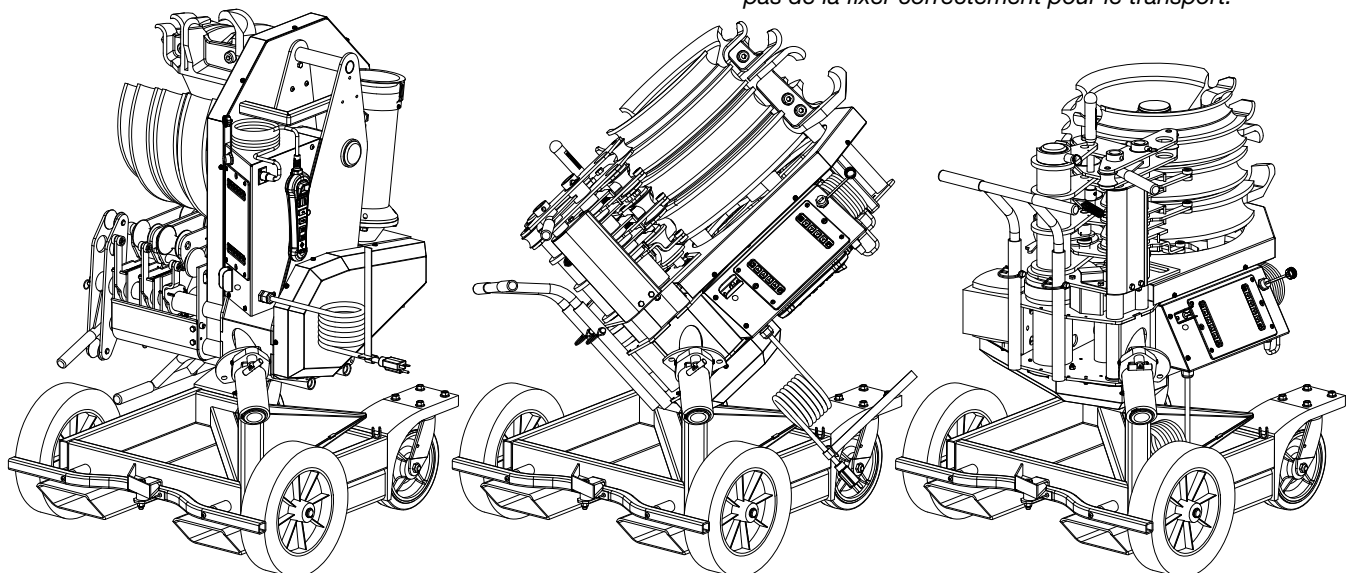
1. Faire pivoter la tête de cintrage en position de cintrage verticale.
2. Confirmer que le sabot et les colliers de retenue du support de galet (12, 17) sont en place et verrouillés.
3. Passer une élingue autour de la barre de levage (19) pour supporter le poids total. **NE PAS UTILISER LES POIGNÉES.** Soulever uniquement avec la tête en position verticale.



Pour transporter la cintreuse sur une remorque

1. Faire pivoter la tête de cintrage en position de cintrage horizontal.
2. Positionner la cintreuse sur la remorque de sorte que les roues de la cintreuse soient parallèles à l'essieu de la remorque. Ce faisant, la cintreuse résiste aux mouvements si la remorque a subi des démarrages et des arrêts soudains.
3. Placer les blocs contre les roues de la cintreuse pour résister aux mouvements.
4. Fixer les sangles entourant la chaussure et les crochets de la cintreuse pour la fixer à la remorque. Serrer les sangles pour fixer le variateur de mouvement de la cintreuse.

IMPORTANT : le frein de roue de la cintreuse ne permet pas de la fixer correctement pour le transport.



Position de cintrage vertical

Position de cintrage horizontal

Configuration


	⚠ AVERTISSEMENT
	<p>Toujours porter des lunettes de sécurité. Les lunettes correctrices courantes ont des verres antichoc seulement; ce ne sont PAS des lunettes de sécurité. Pour utiliser dans un environnement poussiéreux, porter un masque anti-poussière.</p> <p>L'absence de protection oculaire peut entraîner des lésions oculaires graves causées par des projections de débris.</p>


Voir la section « Identification » de ce manuel.

1. Positionner la cintreuse de manière à avoir de la place pour charger le conduit et serrer le frein de roue arrière.
2. Placer la cintreuse dans la position de cintrage verticale ou horizontale souhaitée.
3. Brancher la cintreuse dans une prise de 20 A avec terre.
4. Brancher la télécommande à fil dans la prise de télécommande (28).

Fonctionnement

	⚠ DANGER
	<p>Ne pas utiliser cet outil dans un environnement dangereux. Ces dangers comprennent notamment les liquides, les gaz et autres matières inflammables. L'utilisation de cet outil dans un environnement dangereux peut provoquer un incendie ou une explosion.</p> <p>Le non-respect de cette mise en garde entraînera des blessures graves, voire mortelles.</p>

	⚠ AVERTISSEMENT
	<p>Danger de décharge électrique :</p> <ul style="list-style-type: none"> • Inspecter le cordon d'alimentation avant utilisation. Réparer ou remplacer le cordon électrique s'il est endommagé. • Brancher le cordon électrique uniquement sur une prise de courant de 120 V, 20 A installée sur un circuit protégé par un disjoncteur différentiel. Voir la section «Instructions de mise à la terre». • Ne pas modifier le cordon d'alimentation ou la prise. • Débrancher l'outil de l'alimentation avant entretien. <p>Le non-respect de cette mise en garde peut entraîner des blessures graves, voire mortelles.</p>

	⚠ AVERTISSEMENT
	<p>Points de pincement :</p> <ul style="list-style-type: none"> • Tenir les mains à l'écart du sabot de cintrage, des galets et du conduit durant l'utilisation de la cintreuse. • Soutenir le conduit lors de son déchargement. Le conduit peut se détacher et chuter s'il n'est pas correctement soutenu. <p>Le non-respect de ces mises en garde peut entraîner des blessures graves, voire mortelles.</p>

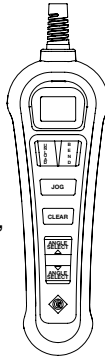
⚠ AVERTISSEMENT
<p>Débrancher l'outil avant tout entretien et pour changer les sabots, les galets et autres accessoires. Le démarrage accidentel pourrait entraîner des blessures graves.</p> <p>Le non-respect de cette mise en garde peut entraîner des blessures graves, voire mortelles.</p>

Utilisation (suite)
⚠ ATTENTION

Porter une tenue adaptée. Ne porter aucun(e) vêtement ample, gant, cravate, bague, bracelet ou autre bijou susceptible d'être happé(e) par les pièces mobiles. Il est conseillé de porter des chaussures antidérapantes. Porter un couvre-chef recouvrant les cheveux longs. Le non-respect de cette précaution peut entraîner des blessures ou des dégâts matériels.

Voir la section « Identification » de ce manuel.

1. Mettre l'interrupteur d'alimentation (2) en position de marche.
2. Utiliser le bouton **BEND** (Cintrer) ou **UNLOAD** (Décharger) pour orienter le sabot afin que les crochets du type de conduit à cintrer soient situés environ à une position de 7 heures (approximativement -5°). (Les crochets argentés correspondent aux EMT ; les crochets verts correspondent aux IMC et aux conduits rigides.)

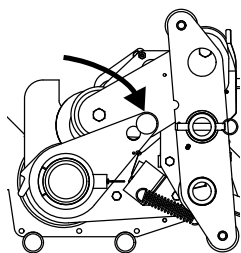
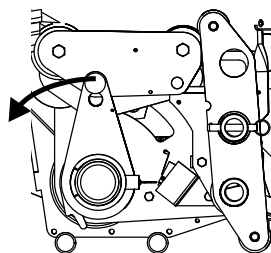


La cintreuse s'arrête automatiquement à la position de charge (approximativement -5°). Pour poursuivre au-delà de la position de charge, relâcher le bouton **BEND** (Cintrer) ou **UNLOAD** (Décharger), puis appuyer **BEND** (Cintrer) ou **UNLOAD** (Décharger), selon le besoin.

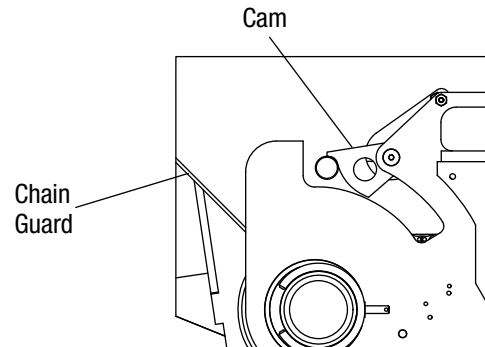
La cintreuse empêche activement le fonctionnement à certains angles si les supports à rouleaux sont en place. Cela permet d'éviter que les crochets de la chaussure n'endommagent les supports des rouleaux. Lorsque les supports de rouleaux sont montés et que les crochets sont à proximité ou à l'intérieur des supports de rouleaux, le pendentif clignotera «VERS LE HAUT» à deux reprises. Lorsque le temps de suspension clignote, la cintreuse peut souvent être déplacée dans la direction opposée en appuyant sur **BEND** (Cintrer) ou **UNLOAD** (Décharger). Si la cintreuse ne bouge pas dans une direction quelconque et continue à clignoter «VERS LE HAUT», les supports de rouleaux doivent être entièrement rétractés avant que la cintreuse ne se déplace.

Important: la cintreuse empêche activement l'utilisateur de modifier les paramètres de la machine en dehors de -10 et -2 degrés.

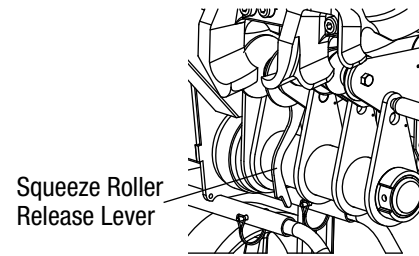
3. Charger le conduit en alignant le repère de cintrage avec le bord avant du crochet.
4. Cintrer le conduit.
 - a. Pour les conduits EMT et IMC de 31,75 mm (1-1/4 po), 38,1 mm (1-1/2 po) et 50,8 mm (2 po), utiliser la poignée d'engagement (14) du galet pour relever les galets de la position rétractée à la position levée (engagée), comme illustré ci-dessous.


Galets de pression rétractés

Galets de pression engagés

Remarque : Soulever l'extrémité d'un conduit de grande longueur aide à engager les galets. La came devrait tenir les galets en position relevée, comme illustré ci-dessous.



Remarque : Pour rétracter les galets sans cintrer une fois que la came les verrouille en place, pomper à plusieurs reprises sur le levier situé en dessous du galet fendu de 2 pouces. Si cela ne suffit pas à relâcher la came, soulever l'extrémité du conduit tout en pompant sur le levier de désengagement. Sinon, faire avancer le sabot juste assez pour obtenir le désengagement de la came, et décharger.


Squeeze Roller Release Lever


- b. Pour tout autre conduit, appuyer sur **BEND** (cintrer) tout en s'assurant que le repère de cintrage reste sur l'avant du crochet jusqu'à ce que le conduit vienne au contact du galet arrière. Pour le cintrage de conduit IMC de 1 in, faire pivoter le galet de support de manière à avoir le galet d'IMC en position haute.
5. Continuer à appuyer sur **BEND** (Cintrer) pour atteindre l'angle de cintrage souhaité affiché sur la télécommande. L'angle affiché sur la télécommande et sur l'écran ACL sera l'angle de cintrage après le retour élastique (sujet à variations en fonction des conduits). Utiliser **BEND** (Cintrer) ou **JOG** (Marche par à-coups) pour avancer progressivement jusqu'à un angle donné. La commande **JOG** (Marche par à-coups) fera avancer le sabot d'environ 1/2°.
 6. Appuyer sur **UNLOAD** (Décharger) pour libérer le conduit.
 7. Faire tourner le conduit pour le dégager du crochet et le sortir du sabot.

Utilisation (suite)

Sélection manuelle du type et de la taille des conduits

Le 855GX peut détecter automatiquement les conduits EMT, IMC et rigides, et déterminer les tailles de conduits de 25 mm (1 po), 31,75 mm (1-1/4 po), 38,1 mm (1-1/2 po) et 50,1 mm (2 po). Pour le cintrage de ces types de conduits, l'utilisation du mode automatique est conseillée. Toutefois, dans certains cas, il peut être préférable de régler manuellement la cintreuse pour le type de conduit utilisé (par exemple, des conduits rigides revêtus de PVC).

Pour régler manuellement la cintreuse, suivre les étapes ci-dessous :

1. Depuis l'écran initial, appuyer sur le bouton indiqué « SET UP (Configurer) ».
2. Depuis l'écran de réglage, appuyer sur le bouton indiqué « MAN SET (Config. opérateur) ».
3. Sélectionner le type de conduit à utiliser. (Sélectionner « AUTO (Automatique) » fera revenir la cintreuse en mode auto, où le type est automatiquement déterminé.)
4. Appuyer sur **NEXT** (Suivant) pour avancer jusqu'à l'écran afin de sélectionner les tailles de conduit.
5. Sélectionner la taille de conduit à utiliser. (Sélectionner « AUTO (Automatique) » fera revenir la cintreuse en mode auto, où la taille est automatiquement déterminée.)
6. Appuyer sur **NEXT** (Suivant) pour revenir à l'écran de réglage, ou sur  pour revenir à l'écran initial.

Cintrage programmé de base

Il est possible de préréglager un angle dans la mémoire de l'ordinateur et la cintreuse s'arrêtera automatiquement à cet angle.

Remarque : L'angle comprend le retour élastique.

1. Sélectionner l'angle.
 - a. Utiliser **ANGLE SELECT** (Sélection d'angle) ▲ ou **ANGLE SELECT** (Sélection d'angle) ▼ sur la télécommande pour changer l'angle programmé. Une pression unique change l'angle de 1°. Presser en continu une touche **ANGLE SELECT** (Sélection d'angle) change l'angle rapidement par incréments de 5°. Appuyer sur **CLEAR** (Effacer) pour remettre l'angle programmé à 0°. Cet angle restera en mémoire jusqu'à ce que la touche **CLEAR** (Effacer) soit enfoncée, qu'un nouvel angle soit sélectionné ou que l'alimentation secteur soit coupée.
 - b. Utilisation d'un des angles courants indiqués sur l'écran ACL (4). Pour sélectionner un angle avec cette méthode, appuyer sur le bouton de sélection (3) proche de l'angle souhaité indiqué par l'afficheur. Cet angle restera en mémoire jusqu'à ce que la touche **CLEAR** (Effacer) soit enfoncée, qu'un nouvel angle soit sélectionné ou que l'alimentation secteur soit coupée.

L'angle programmé restera sur l'afficheur de la télécommande pendant approximativement deux secondes et retournera ensuite à la position présente du sabot. L'angle programmé peut aussi être vu sur l'écran initial de l'ACL, dans la boîte « STOP ANGLE (Angle d'arrêt) ».

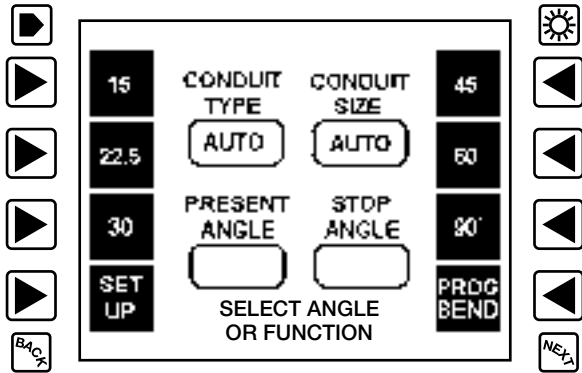
2. Appuyer sur **BEND** (Cintrer) jusqu'à l'arrêt de la cintreuse. La cintreuse peut ralentir avant d'atteindre l'angle sélectionné. Cela est normal. Lorsque la cintreuse s'arrête au niveau du pli programmé, l'écran de suspension clignote deux fois avec l'angle programmé. Pour poursuivre un coude, remettre à zéro l'angle programmé à l'aide de la touche **CLEAR** (Effacer) ou augmenter l'angle programmé pour qu'il soit supérieur à l'angle de la chaussure avec la touche **ANGLE SELECT** (Sélection d'angle) ▲.


Utilisation (suite)

Cintrage entièrement programmé

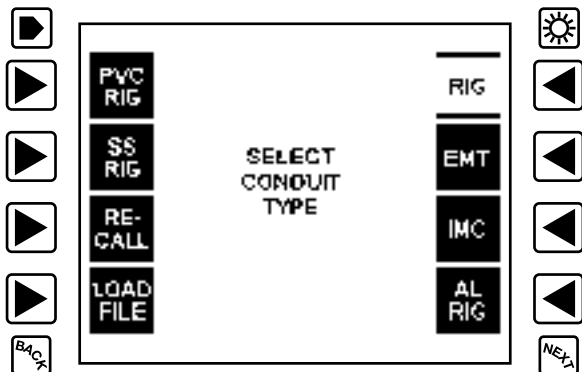
L'ordinateur peut aussi être utilisé pour aider à préparer des cintrages.

- Appuyer sur le bouton indiqué « PROG BEND (Prog. cintrage) » pour démarrer la programmation d'un cintrage.



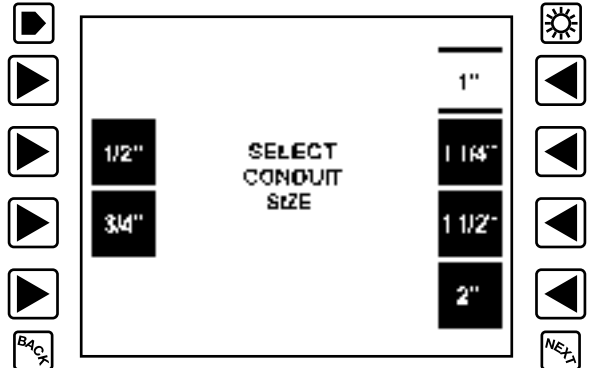
Important : Appuyer sur le bouton de l'écran initial , à tout moment, pour retourner à l'écran initial, comme illustré ci-dessus.

- Appuyer sur le bouton proche du type de conduit à cintrer montré sur l'écran ACL, ou appuyer sur le bouton indiqué « LOAD FILE (Charger fichier) » pour rappeler un cintrage sauvegardé sur une clé USB. (Voir page 16) Appuyer sur **NEXT** (Suivant) pour continuer ou **BACK** (Précédent) pour revenir à l'écran précédent.



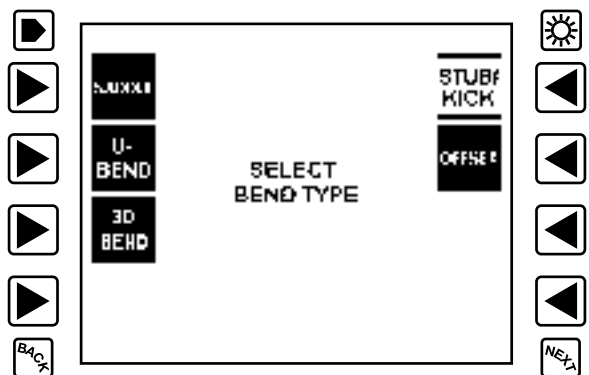
Voir la section «Load File from USB» (chargement du fichier à partir de l'USB), après « Fully Programmed Bending » (cintrage entièrement programmé), pour des instructions sur le chargement de coudes enregistrés.

- Appuyer sur le bouton proche de la taille du conduit à cintrer indiqué sur l'écran ACL. Appuyer sur **NEXT** (Suivant) pour continuer ou **BACK** (Précédent) pour revenir à l'écran précédent.



Important : « 1/2 » et « 3/4 » sont affichés seulement lorsque le type de conduit « PVC RIG (Gaine PVC) » est sélectionné au cours de l'étape 2.

- Appuyer sur le bouton indiquant le type de cintrage à obtenir.
 - Sélectionner « STUB/KICK (Colonne/Coude) » pour des colonnes ou des angles inférieurs à 90°.
 - La sélection de « OFFSET (Décalage) » et **NEXT** (Suivant) affichera une nouvelle fenêtre permettant de choisir si la longueur est comptée depuis le bout du conduit jusqu'au début du premier coude ou jusqu'à la fin du deuxième coude.
 - La sélection de « SADDLE (Dos d'âne) » et de **NEXT** (Suivant) affichera une nouvelle fenêtre permettant de choisir entre un dos d'âne à trois ou à quatre coudes.
 - Sélectionner « U-BEND (Cintrage en U) » pour des cintrages en U avec deux coudes de 90° dos à dos.



- Appuyer sur **NEXT** (Suivant) pour continuer ou **BACK** (Précédent) pour revenir à l'écran précédent.

Utilisation (suite)

Cintrage entièrement programmé (suite)

6. Entrer les dimensions du coude.

Colonnes et coudes :

Appuyer sur le bouton indiqué « HT » (hauteur) s'il n'est pas déjà en surbrillance avec un astérisque. Utiliser les boutons indiqués +↑ et -↓ pour augmenter ou diminuer la hauteur, jusqu'à la valeur souhaitée. Une pression unique sur le bouton change la valeur de 3,17 mm (1/8 po). Maintenir le bouton enfoncé fait changer rapidement les valeurs. Appuyer sur le bouton indiqué « A » (angle). Sélectionner l'angle souhaité comme ci-dessus. L'angle change par incréments de 1/2°.

Décalages :

Appuyer sur le bouton indiqué « HT » (hauteur) s'il n'est pas déjà en surbrillance avec un astérisque. Utiliser les boutons indiqués +↑ et -↓ pour augmenter ou diminuer la hauteur, jusqu'à la valeur souhaitée. Une pression unique sur le bouton change la valeur de 3,17 mm (1/8 po). Maintenir le bouton enfoncé fait changer rapidement les valeurs. Appuyer sur le bouton indiqué « L » (longueur). Sélectionner la longueur souhaitée comme ci-dessus. La longueur change par incréments de 3,17 mm (1/8 po). Appuyer sur le bouton indiqué « A » (angle). Sélectionner l'angle souhaité comme ci-dessus. L'angle change par incréments de 1/2°.

Dos d'ânes :

Appuyer sur le bouton indiqué « HT » (hauteur) s'il n'est pas déjà en surbrillance avec un astérisque. Utiliser les boutons indiqués +↑ et -↓ pour augmenter ou diminuer la hauteur jusqu'à la valeur souhaitée. Une pression unique sur le bouton change la valeur de 3,17 mm (1/8 po). Maintenir le bouton enfoncé fait changer rapidement les valeurs. Appuyer sur le bouton indiqué « L » (longueur). Sélectionner la longueur souhaitée comme ci-dessus. La longueur change par incréments de 3,17 mm (1/8 po). Appuyer sur le bouton indiqué « A » (angle). Sélectionner l'angle souhaité comme ci-dessus. L'angle change par incréments de 1/2°.

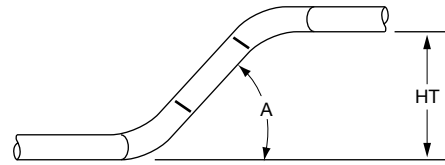
Cintrages en U :

Appuyer sur le bouton indiqué « HT » (hauteur) s'il n'est pas déjà en surbrillance avec un astérisque. Utiliser les boutons indiqués +↑ et -↓ pour augmenter ou diminuer la hauteur, jusqu'à la valeur souhaitée. Une pression unique sur le bouton change la valeur de 3,17 mm (1/8 po). Maintenir le bouton enfoncé fait changer rapidement les valeurs. Appuyer sur le bouton indiqué « L » (longueur). Sélectionner la longueur souhaitée comme ci-dessus. La longueur change par incréments de 3,17 mm (1/8 po).

Cintrages en 3D :

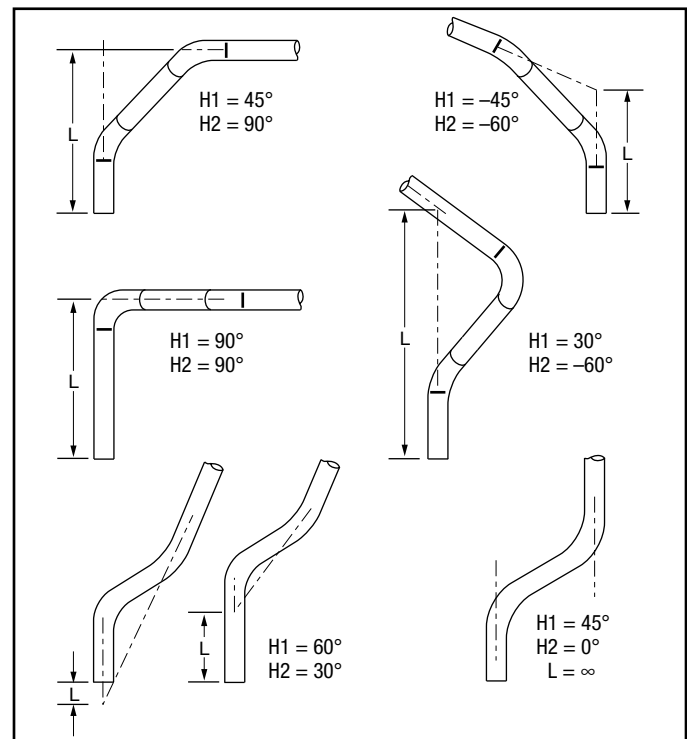
Un cintrage en 3D est le même qu'un décalage, à l'exception d'un changement additionnel de direction sur la droite et / ou sur la gauche. Entrer la hauteur souhaitée en appuyant sur le bouton indiqué « HT » s'il n'est pas déjà en surbrillance avec un astérisque. Utiliser les boutons indiqués +↑ et -↓ pour augmenter ou diminuer la valeur de la hauteur. Une pression unique sur le bouton

change la hauteur de 3,17 mm (1/8 po). Maintenir le bouton enfoncé fait changer rapidement les valeurs. Sélectionner l'angle d'élevation en appuyant sur le bouton indiqué « A ». Sélectionner la valeur de l'angle comme ci-dessus. L'angle change par incréments de 1/2°.



Sélectionner les angles de cintrage horizontal en appuyant sur le bouton indiqué « H1 » et en ajustant les valeurs comme ci-dessus ; répéter l'opération pour le bouton « H2 ». Les angles horizontaux sont considérés comme vus directement du dessus. Voir, ci-dessous, les illustrations de « Cintrages vus de dessus ». Les angles positifs représentent des coudes vers la droite. Les angles négatifs représentent des coudes vers la gauche.

Sélectionner la longueur en appuyant sur le bouton indiqué « L ». Sélectionner la valeur de « L » comme ci-dessus. Toutes les valeurs de « L » sont considérées pour la fibre neutre du conduit. La longueur est définie comme allant de l'endroit où les lignes de vue de la première et la troisième branche se croisent jusqu'au bout du conduit, étant vu directement du dessus. Voir les illustrations suivantes pour des exemples.

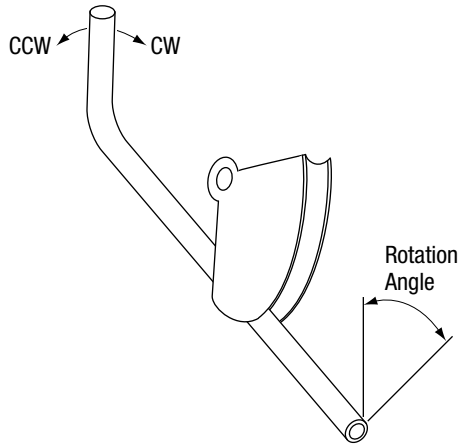


Cintrages vus de dessus

Utilisation (suite)

Cintrage entièrement programmé (suite)

Les étapes 7 à 10 sont les mêmes pour la réalisation du coude 3D et du coude décalé, avec l'exception suivante : après avoir réalisé le premier coude, il y aura une instruction pour faire tourner le conduit d'un certain angle dans le sens antihoraire ou horaire. Le sens horaire signifie pousser la branche cintrée vers l'arrière de la cintreuse alors que le sens antihoraire signifie pousser la branche vers l'avant de la cintreuse.



Important : placer un rapporteur sur l'extrémité du conduit avant d'exécuter le premier coude aidera à déterminer jusqu'où faire tourner le conduit.

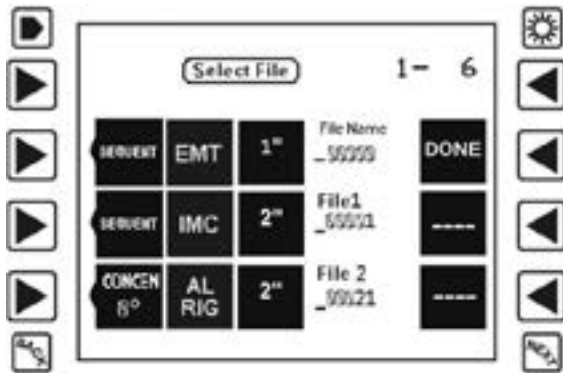
7. Appuyer sur **NEXT** (Suivant) pour continuer ou **BACK** (Précédent) pour revenir à l'écran précédent.
8. Placer un mètre ruban et faire des marques aux distances affichées.
9. Appuyer sur « **SAVE** (Enregistrer) » pour sauvegarder le cintrage programmé dans la mémoire locale de la cintreuse ; ou appuyer sur « **SAVE USB** (Enregistrer sur clé USB) » pour sauvegarder le cintrage programmé sur une clé USB ; ou appuyer sur **NEXT** (Suivant) pour procéder au cintrage programmé ; ou appuyer sur **BACK** (Précédent) pour revenir à l'écran précédent.
10. Charger le conduit et aligner l'avant du crochet avec la première marque. Appuyer sur **BEND** (Cintrer) jusqu'à l'arrêt de la cintreuse. L'affichage montre à la fois l'angle programmé et l'angle réalisé. Décharger le conduit et le recharger en l'alignant avec la deuxième marque. Appuyer sur **BEND** (Cintrer) jusqu'à l'arrêt de la cintreuse. Répéter selon les besoins jusqu'à ce que l'écran affiche « **BENDING COMPLETE** (Cintrage terminé) ».

Utilisation (suite)

Charger un fichier à partir d'un support USB

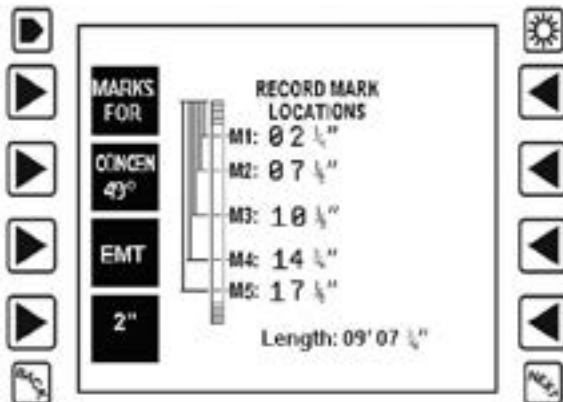
- Appuyer sur le bouton situé à côté du pli que vous souhaitez commencer. Le nombre de pages apparaît en haut à droite. Pour faire défiler la liste des plis enregistrés, appuyez sur les touches **NEXT** (Suivant) et **BACK** (Précédent).

En appuyant sur la touche **BACK** (Précédent) à la page 1, vous revenez à l'écran précédent.

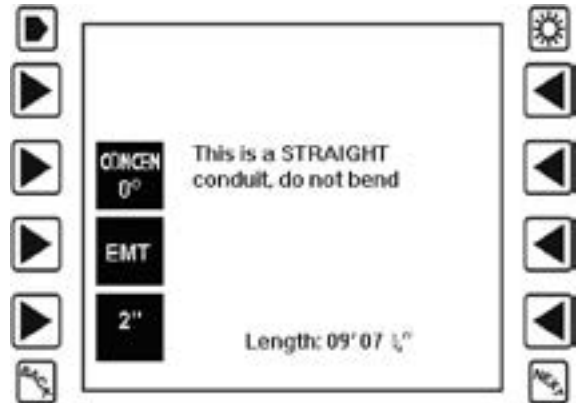


Remarques :

- Les conduits droits seront étiquetés « CONCEN 0° ».
 - Les plis terminés seront étiquetés « DONE (Terminé) ».
- Un résumé s'affiche pour tous les coudes, avec un maximum de cinq coudes par page. La longueur totale du conduit s'affiche en bas. Appuyer sur la touche **NEXT** (Suivant) pour continuer d'utiliser les instructions de pliage individuelles, ou sur la touche **BACK** (Précédent) pour revenir à l'écran de sélection du fichier.

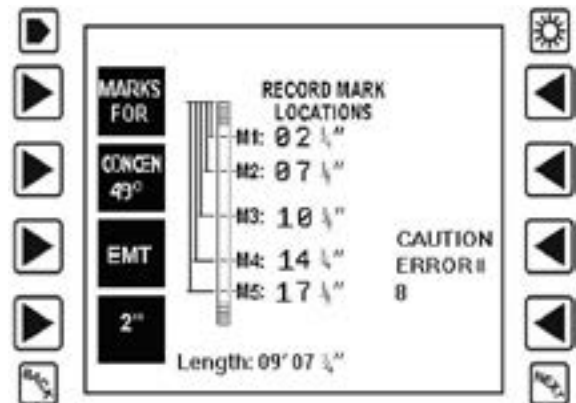


*Important : Un pli avec l'étiquette "CONCEN 0 °" indique qu'il n'y a pas de coudes à effectuer. Choisir **BACK** (Précédent) pour revenir à l'écran de sélection du fichier.*



Dépannage du logiciel BendWorks™

Lorsque le logiciel BendWorks™ rencontre l'une des erreurs contenues dans le tableau à la page suivante, il envoie un code d'erreur à un fichier CSV. Chaque erreur comporte la mention Erreur # et un Code d'erreur.



Utilisation (suite)
Dépannage du logiciel BendWorks™

Erreurs de procédé		Code d'erreur	Explication de l'erreur
1	La longueur du coude plus la queue de la tête dépasse la longueur nominale par défaut	CodeErreur. BendLengthPlusHeadTailExceedsDefaultNominalLength, 1	La longueur du pli + D + X + la queue ne peut pas être supérieure à la longueur nominale par défaut.
2	Rayon de courbure trop grand	CodeErreur. BendRadiusTooBig, 2	Impossible d'obtenir un trop grand rayon de courbure
3	La courbure s'étend sur plusieurs segments	CodeErreur. BendSpansMultipleSegments, 4	Un coude ne peut pas couvrir plusieurs segments de conduits.
4	Courbe concentrique et pliage normal	CodeErreur. ConcentricAndNormalBend, 8	Impossible d'avoir un coude concentrique/segment et une courbure normale dans le même conduit.
5	Rayon de courbure concentrique trop petit	CodeErreur. ConcentricBendRadiusTooSmall, 16	Impossible d'obtenir un rayon de courbure concentrique trop petit.
45	Longueur de conduit trop petite entre les coudes	CodeErreur. ConduitLengthTooSmallBetweenBends, 17592186044416	La longueur de conduit entre deux courbures ne peut pas être inférieure à la longueur de couplage.
6	Le segment comporte plus de 5 plis	CodeErreur. SegmentHasMoreThan5Bends, 32	Un segment de conduits ne peut pas avoir plus de 5 plis, à l'exception des arcs concentriques.
7	Longueur de segment court	CodeErreur. ShortSegmentLength, 64	Le conduit est plus court que la longueur minimale recommandée.
8	La longueur totale du segment dépasse la longueur nominale par défaut	CodeErreur. TotalSegmentLengthExceedsDefaultNominalLength, 128	La longueur d'exécution du conduit dépasse la longueur nominale par défaut.

Erreurs d'avertissement			Explication de l'erreur
23	Marquer le préfixe utilisé	CodeErreur. MarkPrefixUsed, 4194304	Le préfixe de marquage a été utilisé.
24	L'angle total des coudes dépasse 360 degrés	CodeErreur.TotalAngleOfBendsExceed360, 8388608	Les angles de pliage totaux dépassent 360 degrés.
25	L'angle total des coudes dépasse l'angle maximal	CodeErreur. TotalAngleOfBendsExceedsMaxTotalAngle, 16777216	Les angles de pliage totaux dépassent l'angle de courbure maximal autorisé.
26	La longueur totale du conduit dépasse le maximum.	CodeErreur. TotalLengthOfConduitRunExceedsMax, 33554432	La longueur totale du conduit dépasse le maximum autorisé.

Utilisation (suite)
Dépannage du logiciel BendWorks™ (suite)

Erreurs de procédé			Explication de l'erreur
36	Angle de coude trop grand	CodeErreur. BendAngleToolSmall, 34359738368	L'angle de pliage ne peut pas être supérieur à 90 °.
37	Angle de coude trop petit	CodeErreur. BendRadiusTooSmall, 68719476736	L'angle de pliage ne peut pas être inférieur à 5 °.
39	Distance trop petite entre l'extrémité de la dernière courbure et la fin de la conduite	CodeErreur. DistanceTooSmallFromEndOfLastBendToEndOfPipe, 274877906944	La distance entre l'extrémité de la dernière courbure et la fin de la course ne peut être plus courte que la profondeur d'accouplement.
40	Distance trop petite entre le début de la conduite et le début du premier pli	CodeErreur. DistanceTooSmallFromStartOfPipeToStartOfFirstBend, 549755813888	La distance entre le début de la course et le début de la première courbure ne peut être plus courte que la profondeur d'accouplement.
41	Boucle exécutée	CodeErreur. LoopRun, 1099511627776	Le conduit fonctionne dans une boucle.
42	Plusieurs coudes non pris en charge	CodeErreur. MultipleBendersNotSupported, 2199023255552	Plusieurs coudes non pris en charge.
43	Type non pris en charge	CodeErreur. TypeNotSupported, 4398046511104	Le type de conduit n'est pas pris en charge.
44	Retour aux coudes arrière	CodeErreur. BacktoBackBends, 8796093022208	La course de conduit ne peut pas revenir aux coudes arrière. La distance entre deux coudes ne peut être de 0.

Messages informationnels			Explication de l'erreur
55	Pas de scission valide de l'une ou l'autre direction	CodeErreur. NoValidSplitFromEitherDirection, 18014398509482000	Pas de scission valide de l'une ou l'autre direction.

Utilisation (suite)

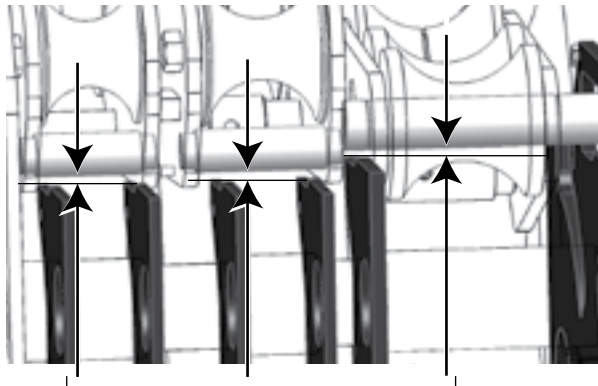
Réglage de la pression

La pression est réglée d'usine et ne nécessite normalement aucun ajustement.

Lors du cintrage d'EMT ou d'IMC de 31,75 mm (1-1/4 po), 38,1 mm (1-1/2 po) ou 50,1 mm (2 po), la quantité de pression appliquée sur le conduit peut être ajustée pour compenser des variations du conduit. La pression est correctement réglée si l'arbre de support n'entre pas en contact avec les plaques de support pendant le cintrage des EMT, comme illustré par les parties ombrées ci-dessous. En outre, le conduit ne doit pas se trouver à plus de 6 mm (1/4 po) environ au-dessus de la surface plane inférieure.

La pression peut être contrôlée en chargeant le conduit EMT et en avançant le sabot jusqu'à ce que le conduit commence à fléchir. Si les arbres de support touchent les plaques ou sont à moins de 6 mm (1/4 po) des plaques, décharger le conduit et ajuster la pression, comme sur la description.

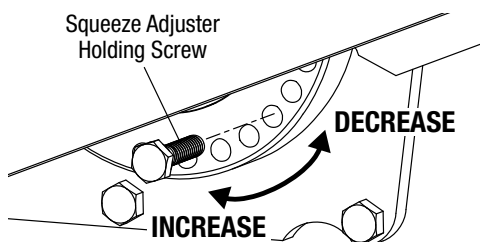
- Si l'arbre touche, **augmenter** la pression.
- Si l'arbre est éloigné de plus de 6 mm (1/4 po), **diminuer** la pression.



6 mm (1/4 po) d'espace max. entre l'arbre et le dessus des plaques latérales

Pour régler la pression :

1. Débrancher la cintreuse.
2. Déposer la vis (voir la figure ci-dessous).
3. Faire pivoter le réglage de pression :
 - Si l'arbre touche les plaques support, **augmenter** la pression en faisant pivoter le réglage de pression dans le sens horaire.
 - Si l'arbre est trop haut par rapport aux plaques de support, **diminuer** la pression en faisant pivoter le réglage de pression dans le sens antihoraire.

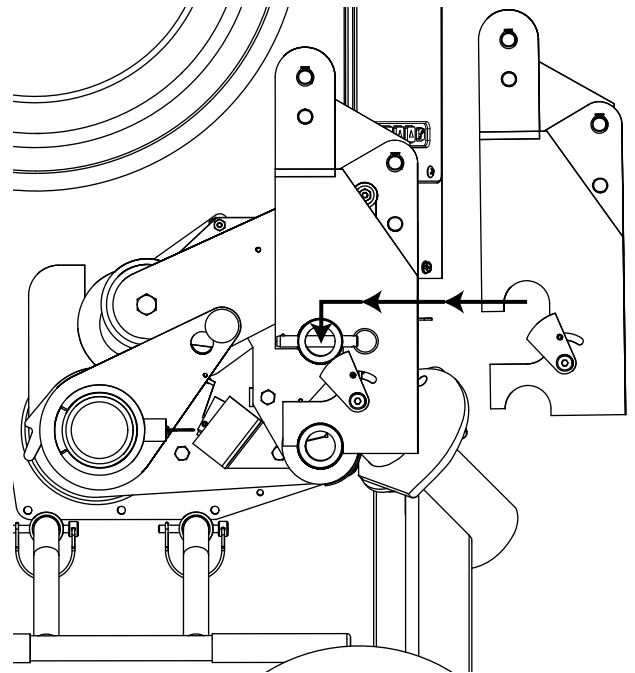


Cintrage optionnel pour conduit revêtu de PVC

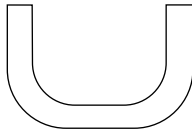
1. Débrancher l'alimentation de la cintreuse.
2. Mettre la tête de la cintreuse en position verticale.
3. Enlever le collier de retenue du sabot en tirant sur l'anneau de la goupille d'arrêt, et faire glisser le collier hors de l'axe.
4. Tirer pour sortir le sabot.
5. **Pour les conduits à revêtement en PVC de 38,1 mm (1-1/2 po) et 50,1 mm (2 po) :** installer la chaussure et commencer la flexion. L'échange de galets n'est pas nécessaire.

Pour les conduits à revêtement en PVC de 38,1 mm (1-1/2 po) à 31,75 mm (1-1/4 po) : passer à l'étape 6 et se reporter à la figure ci-dessous.

6. Enlever le support de galet de 25,4 mm (1 po) et abaisser la poignée du pivot.
7. Installer le support de galet de conduit revêtu de PVC en le glissant entre les galets existants depuis la droite de la cintreuse et en l'abaissant de manière à l'accrocher sur les tubes supports de galet du châssis de la cintreuse.
8. Installer le sabot de 12,7 mm (1/2 po) à 31,75 mm (1-1/4 po) et suivre les instructions de cintrage pour les conduits revêtus de PVC.

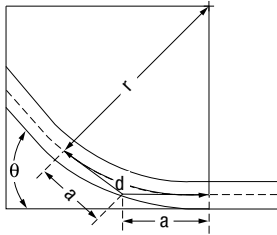


Installation du support de galet des conduits rigides revêtus de PVC de 12,7 mm (1/2 po) à 31,75 mm (1-1/4 po).

Glossaire de cintrage illustré


Cintrage dos-à-dos — tout cintrage en forme de U constitué de deux coudes de 90° parallèles avec une portion droite de conduit ou de tuyau entre les coudes.

Distance centre à centre — distance entre deux coudes successifs formant un décalage ou un dos d'âne à trois coudes.



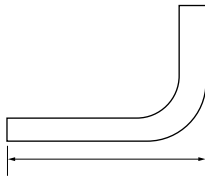
Longueur développée — longueur de tuyau qui sera cintré; voir à la distance « d » dans l'illustration de gauche.

Gain — différence entre la distance en ligne droite ($a + a$) et la distance radiale plus courte (d), où :

θ = Angle de cintrage

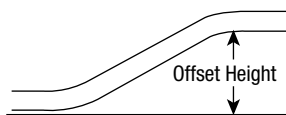
r = rayon de courbure sur la fibre neutre du sabot de cintrage

Coude — cintrage unique de moins de 90°

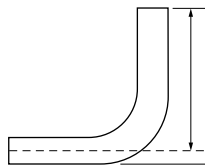


Longueur de branche — distance entre l'extrémité d'une portion droite d'un conduit ou d'un tuyau et le cintrage; mesurée à partir de l'extrémité au bord extérieur du conduit ou du tuyau.

Décalage — deux cintrages opposés d'angles égaux; est utilisé pour éviter un obstacle.



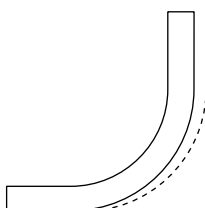
Hauteur de décalage — distance entre les deux branches d'un cintrage en décalage, mesurée perpendiculairement aux deux branches; également appelée quantité de décalage ou hauteur de décalage.



Élévation — distance entre l'extrémité d'une portion droite d'un conduit ou tuyau et le cintrage; mesurée de l'extrémité à la fibre neutre du conduit ou du tuyau. Également appelée colonne montante.

Dos d'âne — combinaison de trois ou quatre coudes; s'utilise pour éviter un obstacle.

Retrait — quantité de conduit « perdue » par la formation d'un décalage pour éviter un obstacle.



Retour élastique — exprimé en degrés, mesure dans laquelle un conduit ou tuyau tend à se redresser après le cintrage.

Instructions de cintrage

COLONNES À 90°

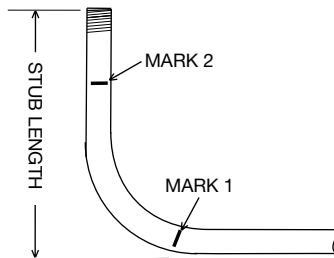
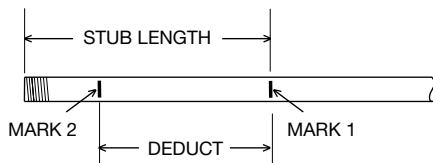
1. Mesurer la longueur de colonne montante requise.
2. Voir la formule de la longueur de colonne minimale dans le Tableau de déduction. La colonne requise doit être de longueur égale ou supérieure à la longueur de colonne minimale.
3. Mesurer et marquer la longueur de colonne sur le conduit. C'est le repère 1. Retrancher la déduction de cette longueur et faire un nouveau marquage du conduit. C'est le repère 2.
4. Aligner le repère 2 avec le bord avant du crochet et cintrer le conduit.

Important : le sabot cintré à 90° au maximum.

Tableau de déduction

TAILLE DE CONDUIT		1	1-1/4	1-1/2	2
DÉDUCTION	ACIER RIGIDE	11-7/8	14-3/8	15-3/8	16-5/8
	EMT	11-7/8	14-3/8	15-3/8	16-7/8
	IMC	11-7/8	14-3/8	15-3/8	16-5/8
	ALUMINIUM RIGIDE	11-7/8	14-3/8	15-3/8	16-5/8
LONGUEUR DE COLONNE MINIMALE = DÉDUIRE 2 POUCHES EN PLUS					

Les valeurs sont approximatives



Instructions de cintrage (suite)

Décalages

- Mesurer la hauteur et la longueur de l'obstacle. Sélectionner l'angle à utiliser.
- Consulter le Tableau de décalage. La hauteur de l'obstacle doit être égale ou supérieure au décalage minimal.
- Consulter le Tableau X pour trouver la dimension X. Consulter le Tableau de décalage pour trouver la distance centre à centre.

Si la distance centre à centre n'est pas indiquée, la calculer à l'aide des coefficients multiplicateurs indiqués dans le Tableau de décalage.

- Marquer le conduit comme sur l'illustration.
- Enfiler le conduit dans la cintreuse. Aligner le repère 1 avec le bord avant du crochet et cintrer le conduit.
- Aligner le repère 1 avec le bord avant du crochet. Sans sortir le conduit de la cintreuse, le faire pivoter de 180°. Effectuer le deuxième cintrage.

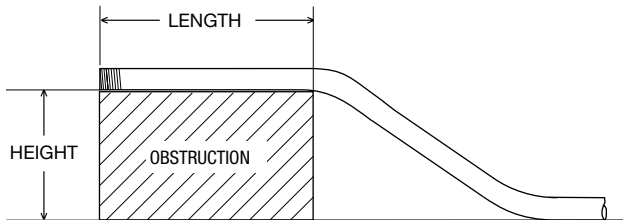
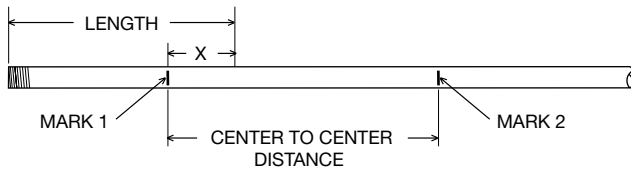


Tableau de décalage

DÉCALAGE	Angle terminé					
	15°		30°		45°	
	Max. Dimension de conduites	Centre à centre	Max. Dimension de conduites	Centre à centre	Max. Dimension de conduites	Centre à centre
2	1-1/4	7-3/4				
4	2	15-7/16	1	7-15/16		
6	2	23-3/16	2	11-15/16		
8	2	30-15/16	2	15-15/16	1	11-5/16
10	2	38-5/8	2	19-15/16	2	14-1/8
12	2	46-3/8	2	23-15/16	2	16-15/16
14	2	54-1/16	2	27-15/16	2	19-13/16
16	2	61-13/16	2	31-15/16	2	22-5/8
18	2	69-9/16	2	35-15/16	2	25-7/16
20	2	77-1/4	2	39-15/16	2	28-1/4
22	2	85	2	43-15/16	2	31-1/8

DISTANCE CENTRE À CENTRE = HAUTEUR DE DÉCALAGE x COEFFICIENT

ANGLE DE DÉCALAGE	10°	15°	22-1/2°	30°	45°
COEFFICIENT	5,8	3,9	2,6	2,0	1,4

Les valeurs sont approximatives

Tableau X

TAILLE DE CONDUIT	1	1-1/4	1-1/2	2
"X"	4-1/16	5-1/16	5-13/16	6-1/8

Les valeurs sont approximatives

Rayons de cintrage moyen

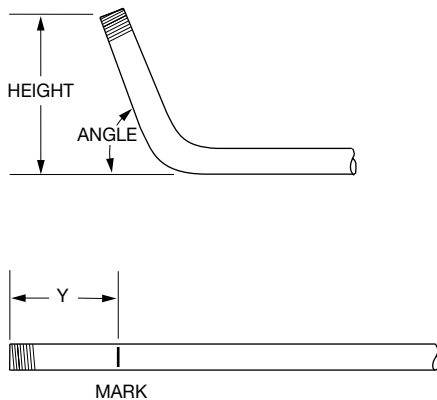
POINTURE	EMT		IMC, RIGIDE	
	po	mm	po	mm
1	7	177,8	6-15/16	176,2
1-1/4	8-13/16	223,8	8-3/4	222,3
1-1/2	8-3/8	212,7	8-1/4	209,6
2	9-1/4	235,0	9	228,6

Instructions de cintrage supplémentaires

Les dessins et tableaux de cintrage qui suivent ont pour objet de fournir les renseignements nécessaires pour la réalisation des types de cintrage les plus courants. Les tableaux de cintrage contiennent des indications de marquage des conduits.

COLONNES

1. Sélectionner la taille et le type de conduit. Déterminer la hauteur de la colonne et l'angle à utiliser.
2. Se reporter au tableau qui correspond à la taille et au type de conduit sélectionnés à l'étape 1.
3. Dans la colonne désignée ANGLE, trouver l'angle qui convient.
4. Se reporter à la ligne marquée Y. Dans la ligne d'en-tête de la table, trouver la hauteur (H) de la colonne. La valeur indiquée à l'intersection de la ligne Y et de la colonne H est la distance Y. Tracer le repère de cintrage à Y pouces de l'extrémité du conduit.
5. Cintrer le conduit.



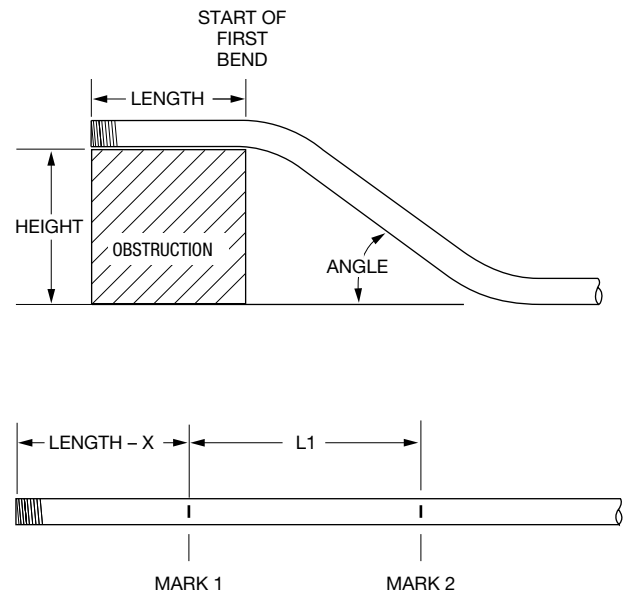
DÉCALAGES

Un décalage sert à faire passer le conduit autour d'un obstacle. Pour réaliser un décalage, deux cintrages égaux sont requis. La distance entre les deux coudes est la distance centre à centre.

Pour réaliser un décalage après l'obstacle, il est nécessaire de déterminer l'emplacement du premier coude. La distance centre à centre est ensuite utilisée pour déterminer l'emplacement du deuxième coude. Pour réaliser un décalage avant l'obstacle, il est nécessaire de déterminer l'emplacement du deuxième coude. La distance centre à centre est ensuite utilisée pour déterminer l'emplacement du premier coude.

Réalisation après un obstacle

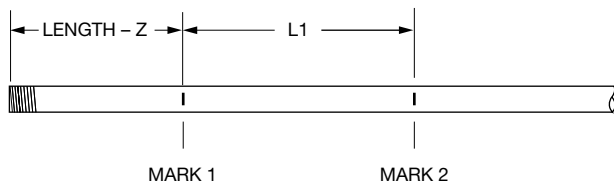
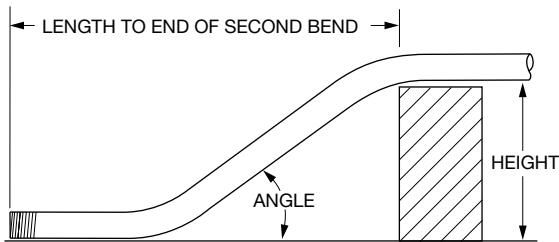
1. Sélectionner la taille et le type de conduit. Mesurer la hauteur de l'obstacle et la distance désignée LONGUEUR. Déterminer l'angle à utiliser.
2. Se reporter au tableau qui correspond à la taille et au type de conduit sélectionnés à l'étape 1.
3. À droite de la taille et du type de conduit, trouver la dimension X. Retrancher X de la LONGUEUR. Placer le premier repère de cintrage à cette distance par rapport à l'extrémité du conduit.
4. Dans la colonne désignée ANGLE, trouver l'angle qui convient. Se reporter à la ligne marquée L1. Dans la ligne d'en-tête de la table, trouver la hauteur (H) de l'obstacle. La valeur indiquée à l'intersection de la ligne L1 et de la colonne H est la valeur L1. Placer le deuxième repère de cintrage à L1 pouces du premier repère de cintrage.
5. Cintrer le conduit.



Instructions de cintrage supplémentaires (suite)

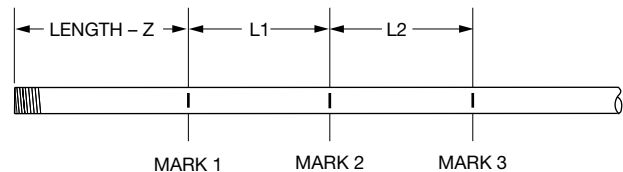
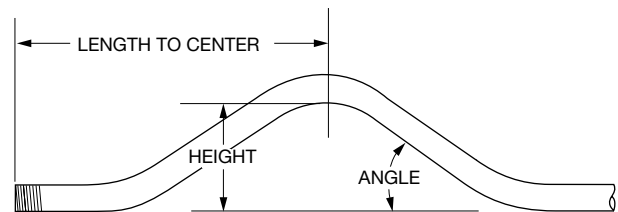
Réalisation avant un obstacle

1. Sélectionner la taille et le type de conduit. Mesurer la hauteur de l'obstacle et la distance LONGUEUR JUSQU'À LA FIN DU DEUXIÈME COUDE. Déterminer l'angle à utiliser.
2. Se reporter au tableau qui correspond à la taille et au type de conduit sélectionnés à l'étape 1.
3. Dans la colonne désignée ANGLE, trouver l'angle qui convient. Se reporter à la ligne marquée Z. Dans la ligne d'en-tête de la table, trouver la hauteur (H) du décalage. La valeur indiquée à l'intersection de la ligne Z et de la colonne H est la valeur Z. Placer le premier repère de cintrage à cette distance par rapport à l'extrémité du conduit.
4. Dans la même colonne, se reporter à la ligne marquée L2. Placer le deuxième repère de cintrage à L1 pouces du premier repère de cintrage.
5. Cintrer le conduit.



DOS D'ÂNE À TROIS COUDES

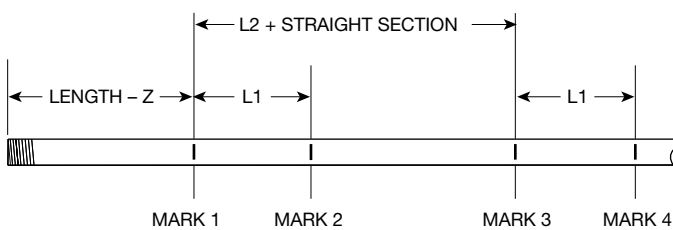
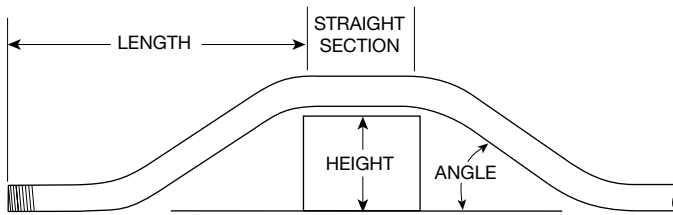
1. Sélectionner la taille et le type de conduit. Mesurer la hauteur de l'obstacle et la distance de l'extrémité du conduit au centre (LONGUEUR JUSQU'AU CENTRE) du coude. Déterminer l'angle à utiliser.
2. Se reporter au tableau qui correspond à la taille et au type de conduit sélectionnés à l'étape 1.
3. Dans la colonne désignée ANGLE, trouver l'angle qui convient. Se reporter à la ligne marquée Z. Dans la ligne d'en-tête de la table, trouver la hauteur (H) du décalage. La valeur indiquée à l'intersection de la ligne Z et de la colonne H correcte est la valeur Z. Placer le premier repère de cintrage à cette distance par rapport à l'extrémité du conduit.
4. Dans la même colonne, se reporter à la ligne marquée L2. Placer le deuxième repère de cintrage à L1 pouces du premier repère de cintrage.
5. Dans la même colonne, se reporter à la ligne marquée L2. Placer le troisième repère de cintrage à L2 pouces du deuxième repère de cintrage.
6. Cintrer le conduit.



Instructions de cintrage supplémentaires (suite)

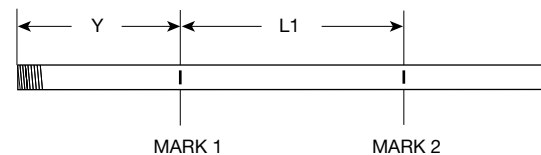
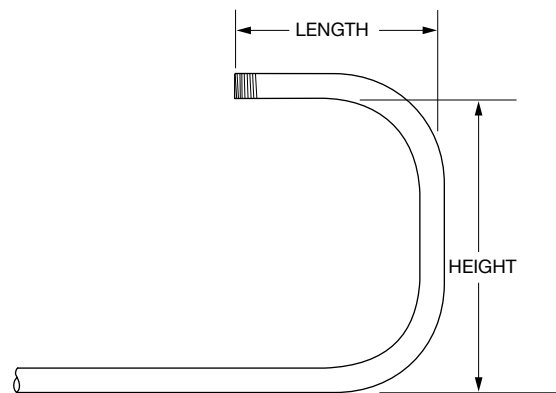
DOS D'ÂNE À QUATRE COUDES

1. Sélectionner la taille et le type de conduit. Mesurer la hauteur de l'obstacle, la distance désignée LONGUEUR et la distance désignée SECTION DROITE. Déterminer l'angle à utiliser.
2. Se reporter au tableau qui correspond à la taille et au type de conduit sélectionnés à l'étape 1.
3. Dans la colonne désignée ANGLE, trouver l'angle qui convient. Se reporter à la ligne marquée Z. Dans la ligne d'en-tête de la table, trouver la hauteur (H) du décalage. La valeur indiquée à l'intersection de la ligne Z et de la colonne H correcte est la valeur Z. Soustraire Z de la LONGUEUR. Placer le premier repère de cintrage à cette distance par rapport à l'extrémité du conduit.
4. Dans la même colonne, se reporter à la ligne marquée L2. Placer le deuxième repère de cintrage à L1 pouces du premier repère de cintrage.
5. Dans la même colonne, se reporter à la ligne marquée L2. Ajouter L2 à la valeur SECTION DROITE. Placer le troisième repère de cintrage à cette distance par rapport au premier repère de cintrage.
6. Placer le dernier repère de cintrage à L1 pouces du troisième repère de cintrage.
7. Cintrer le conduit.



CINTRAGES EN U

1. Sélectionner la taille et le type de conduit. Déterminer la LONGUEUR et la HAUTEUR.
2. Se reporter au tableau qui correspond à la taille et au type de conduit sélectionnés à l'étape 1.
3. Sous la colonne désignée ANGLE, trouver 90°.
4. Se reporter à la ligne marquée Y. Dans la ligne d'en-tête de la table, trouver la hauteur (H) qui correspond à la LONGUEUR. La valeur indiquée à l'intersection de la ligne Y et de la colonne H souhaitée est la distance Y. Tracer le repère de cintrage à Y pouces de l'extrémité du conduit.
5. Se reporter à la ligne L1, puis se déplacer vers la droite jusqu'à la hauteur (H) qui correspond à la valeur HAUTEUR.
6. La valeur indiquée à l'intersection de la ligne L1 et de la colonne H correcte est la valeur L1. Placer le deuxième repère de cintrage à L1 pouces du premier repère.
7. Cintrer le conduit.



Tableaux de cintrage supplémentaires

Dim.	ANGLE	2 in	4 in	6 in	8 in	10 in	12 in	15 in	18 in	24 in	36 in
EMT 25,4 mm (1 po)											
Y	15	0,49	8,22	15,94	23,67	31,40	39,13	50,72	62,31	85,49	131,85
L1	15	7,72	15,44	23,17	30,90	38,63	46,35	57,94	69,54	92,72	139,08
L2	15	9,61	17,34	25,06	32,79	40,52	48,25	59,84	71,43	94,61	140,98
Z	15	13,41	20,87	28,34	35,80	43,27	50,73	61,93	73,12	95,51	140,30
H MINIMUM = 1,54											
Y	22,5		3,45	8,68	13,91	19,13	24,36	32,20	40,04	55,72	87,07
L1	22,5	5,19	10,42	15,64	20,87	26,09	31,32	39,16	47,00	62,68	94,04
L2	22,5	8,03	13,26	18,48	23,71	28,93	34,16	42,00	49,84	65,52	96,88
Z	22,5	11,75	16,57	21,40	26,23	31,06	35,89	43,13	50,37	64,86	93,83
H MINIMUM = 2,65											
Y	30		0,86	4,86	8,86	12,86	16,86	22,86	28,86	40,86	64,86
L1	30	3,91	7,91	11,91	15,91	19,91	23,91	29,91	35,91	47,91	71,91
L2	30	7,70	11,70	15,70	19,70	23,70	27,70	33,70	39,70	51,70	75,70
Z	30	11,38	14,84	18,31	21,77	25,24	28,70	33,90	39,09	49,49	70,27
H MINIMUM = 3,96											
Y	45			0,63	3,46	6,28	9,11	13,35	17,60	26,08	43,05
L1	45			8,17	11,00	13,83	16,66	20,90	25,14	33,63	50,60
L2	45			13,85	16,68	19,51	22,34	26,58	30,83	39,31	56,28
Z	45			16,03	18,03	20,03	22,03	25,03	28,03	34,03	46,03
H MINIMUM = 7,09											
Y	60				0,35	2,66	4,97	8,43	11,90	18,83	32,68
L1	60					10,77	13,08	16,54	20,01	26,94	40,79
L2	60					18,34	20,65	24,12	27,58	34,51	48,37
Z	60					18,17	19,32	21,05	22,78	26,25	33,18
H MINIMUM = 10,73											
Y	90						0,15	3,15	6,15	12,15	24,15
L1	90								14,90	20,90	32,90
L2	90								26,26	32,26	44,26
Z	90								18,51	18,51	18,51
H MINIMUM = 18,51											
EMT, 31,75 mm (1-1/4 po)											
Y	15		6,43	14,15	21,88	29,61	37,34	48,93	60,52	83,70	130,06
L1	15	7,71	15,44	23,17	30,90	38,62	46,35	57,94	69,53	92,72	139,08
L2	15	9,95	17,67	25,40	33,13	40,86	48,58	60,17	71,77	94,95	141,31
Z	15	14,70	22,16	29,63	37,09	44,56	52,02	63,22	74,41	96,80	141,59
H MINIMUM H = 1,87											
Y	22,5		1,79	7,02	12,25	17,47	22,70	30,54	38,38	54,06	85,41
L1	22,5	5,18	10,41	15,64	20,86	26,09	31,31	39,15	46,99	62,67	94,03
L2	22,5	8,53	13,76	18,98	24,21	29,44	34,66	42,50	50,34	66,02	97,38
Z	22,5	13,21	18,04	22,87	27,70	32,52	37,35	44,59	51,84	66,32	95,29
H MINIMUM = 3,21											
Y	30			3,22	7,22	11,22	15,22	21,22	27,22	39,22	63,22
L1	30		7,90	11,90	15,90	19,90	23,90	29,90	35,90	47,90	71,90
L2	30		12,36	16,36	20,36	24,36	28,36	34,36	40,36	52,36	76,36
Z	30		16,49	19,95	23,41	26,88	30,34	35,54	40,74	51,13	71,91
H MINIMUM = 4,78											
Y	45				1,72	4,55	7,38	11,62	15,87	24,35	41,32
L1	45				10,95	13,78	16,60	20,85	25,09	33,57	50,54
L2	45				17,64	20,47	23,30	27,54	31,78	40,27	57,24
Z	45				20,05	22,05	24,05	27,05	30,05	36,05	48,05
H MINIMUM = 8,52											
Y	60					0,76	3,07	6,54	10,00	16,93	30,79
L1	60						12,94	16,40	19,87	26,80	40,65
L2	60						21,87	25,33	28,80	35,72	49,58
Z	60						21,76	23,49	25,23	28,69	35,62
H MINIMUM = 12,85											
Y	90							0,73	3,73	9,73	21,73
L1	90								14,34	20,34	32,34
L2	90								27,73	33,73	45,73
Z	90								22,04	22,04	22,04
H MINIMUM = 2,54											

Tableaux de cintrage supplémentaires (suite)

	Dim.	ANGLE	2 in	4 in	6 in	8 in	10 in	12 in	15 in	18 in	24 in	36 in
EMT, 38,1 mm (1-1/2 po)												
	Y	15		5,20	12,93	20,65	28,38	36,11	47,70	59,29	82,47	128,84
	L1	15	7,71	15,44	23,17	30,90	38,62	46,35	57,94	69,53	92,72	139,08
	L2	15	9,97	17,70	25,43	33,15	40,88	48,61	60,20	71,79	94,97	141,34
	Z	15	15,49	22,96	30,42	37,89	45,35	52,81	64,01	75,21	97,60	142,38
H MINIMUM = 2,08												
	Y	22,5		0,70	5,93	11,16	16,38	21,61	29,45	37,29	52,97	84,32
	L1	22,5	5,18	10,41	15,63	20,86	26,09	31,31	39,15	46,99	62,67	94,03
	L2	22,5	8,57	13,79	19,02	24,25	29,47	34,70	42,54	50,38	66,06	97,41
	Z	22,5	14,02	18,85	23,67	28,50	33,33	38,16	45,40	52,64	67,13	96,10
H MINIMUM = 3,52												
	Y	30			2,19	6,19	10,19	14,19	20,19	26,19	38,19	62,19
	L1	30		7,89	11,89	15,89	19,89	23,89	29,89	35,89	47,89	71,89
	L2	30		12,41	16,41	20,41	24,41	28,41	34,41	40,41	52,41	76,41
	Z	30		17,31	20,77	24,23	27,70	31,16	36,36	41,56	51,95	72,73
H MINIMUM = 5,19												
	Y	45				0,75	3,58	6,41	10,65	14,90	23,38	40,35
	L1	45				10,94	13,77	16,60	20,84	25,09	33,57	50,54
	L2	45				17,71	20,54	23,37	27,61	31,85	40,34	57,31
	Z	45				20,90	22,90	24,90	27,90	30,90	36,90	48,90
H MINIMUM = 9,12												
	Y	60						2,12	5,58	9,04	15,97	29,83
	L1	60						12,93	16,39	19,86	26,79	40,64
	L2	60						21,95	25,42	28,88	35,81	49,67
	Z	60						22,64	24,37	26,10	29,57	36,50
H MINIMUM = 13,61												
	Y	90								2,75	8,75	20,75
	L1	90								14,30	20,30	32,30
	L2	90								27,84	33,84	45,84
	Z	90								23,00	23,00	23,00
H MINIMUM = 23,00												
EMT 50,1 mm (2 po)												
	Y	15		3,79	11,51	19,24	26,97	34,70	46,29	57,88	81,06	127,42
	L1	15	7,71	15,44	23,17	30,90	38,62	46,35	57,94	69,53	92,71	139,08
	L2	15	10,22	17,94	25,67	33,40	41,12	48,85	60,44	72,03	95,22	141,58
	Z	15	16,14	23,60	31,07	38,53	46,00	53,46	64,66	75,85	98,25	143,03
H MINIMUM = 2,25												
	Y	22,5			4,74	9,97	15,20	20,42	28,26	36,10	51,78	83,14
	L1	22,5	5,18	10,40	15,63	20,86	26,08	31,31	39,15	46,99	62,67	94,02
	L2	22,5	8,93	14,16	19,38	24,61	29,84	35,06	42,90	50,74	66,42	97,78
	Z	22,5	14,79	19,62	24,45	29,28	34,10	38,93	46,18	53,42	67,90	96,87
H MINIMUM = 3,81												
	Y	30			1,08	5,08	9,08	13,08	19,08	25,08	37,08	61,08
	L1	30		7,88	11,88	15,88	19,88	23,88	29,88	35,88	47,88	71,88
	L2	30		12,89	16,89	20,89	24,89	28,89	34,89	40,89	52,89	76,89
	Z	30		18,21	21,67	25,14	28,60	32,07	37,26	42,46	52,85	73,64
H MINIMUM = 5,64												
	Y	45					2,47	5,30	9,54	13,78	22,27	39,24
	L1	45				10,90	13,73	16,56	20,80	25,04	33,53	50,50
	L2	45				18,41	21,24	24,07	28,31	32,55	41,04	58,01
	Z	45				22,08	24,08	26,08	29,08	32,08	38,08	50,08
H MINIMUM = 9,95												
	Y	60						0,91	4,37	7,84	14,76	28,62
	L1	60						12,83	16,29	19,76	26,69	40,54
	L2	60						22,84	26,30	29,77	36,69	50,55
	Z	60						24,12	25,86	27,59	31,05	37,98
H MINIMUM = 14,89												
	Y	90								1,18	7,18	19,18
	L1	90									19,90	31,90
	L2	90									34,91	46,91
	Z	90									25,28	25,28
H MINIMUM = 25,28												

Tableaux de cintrage supplémentaires (suite)

Dim.	ANGLE	2 in	4 in	6 in	8 in	10 in	12 in	15 in	18 in	24 in	36 in	
IMC de 25,4 mm (1 po), en acier rigide et aluminium rigide												
	Y	15	0,19	7,91	15,64	23,37	31,09	38,82	50,41	62,00	85,19	131,55
	L1	15	7,72	15,44	23,17	30,90	38,63	46,35	57,94	69,54	92,72	139,08
	L2	15	9,59	17,32	25,04	32,77	40,50	48,23	59,82	71,41	94,59	140,96
	Z	15	13,41	20,87	28,34	35,80	43,26	50,73	61,92	73,12	95,51	140,30
H MINIMUM = 1,54												
	Y	22,5		3,25	8,48	13,70	18,93	24,16	32,00	39,84	55,51	86,87
	L1	22,5	5,19	10,42	15,64	20,87	26,09	31,32	39,16	47,00	62,68	94,04
	L2	22,5	8,00	13,23	18,45	23,68	28,90	34,13	41,97	49,81	65,49	96,85
	Z	22,5	11,73	16,56	21,39	26,22	31,05	35,88	43,12	50,36	64,85	93,82
H MINIMUM = 2,64												
	Y	30		0,71	4,71	8,71	12,71	16,71	22,71	28,71	40,71	64,71
	L1	30	3,91	7,91	11,91	15,91	19,91	23,91	29,91	35,91	47,91	71,91
	L2	30	7,66	11,66	15,66	19,66	23,66	27,66	33,66	39,66	51,66	75,66
	Z	30	11,36	14,82	18,29	21,75	25,21	28,68	33,87	39,07	49,46	70,25
H MINIMUM = 3,95												
	Y	45		0,53	3,36	6,19	9,02	13,26	17,50	25,99	42,96	
	L1	45		8,18	11,01	13,83	16,66	20,91	25,15	33,63	50,60	
	L2	45		13,80	16,63	19,45	22,28	26,52	30,77	39,25	56,22	
	Z	45		15,99	17,99	19,99	21,99	24,99	27,99	33,99	45,99	
H MINIMUM = 7,06												
	Y	60			0,29	2,60	4,91	8,37	11,83	18,76	32,62	
	L1	60				10,78	13,09	16,55	20,02	26,94	40,80	
	L2	60				18,27	20,58	24,04	27,51	34,44	48,29	
	Z	60				18,09	19,25	20,98	22,71	26,18	33,11	
H MINIMUM = 10,67												
	Y	90					0,13	3,13	6,13	12,13	24,13	
	L1	90							14,93	20,93	32,93	
	L2	90							26,17	32,17	44,17	
	Z	90							18,37	18,37	18,37	
H MINIMUM = 18,37												
IMC de 31,75 mm (1-1/4 po), en acier rigide et aluminium rigide												
	Y	15		6,00	13,72	21,45	29,18	36,90	48,50	60,09	83,27	129,63
	L1	15	7,71	15,44	23,17	30,90	38,62	46,35	57,94	69,53	92,72	139,08
	L2	15	9,93	17,65	25,38	33,11	40,84	48,56	60,16	71,75	94,93	141,29
	Z	15	14,83	22,29	29,76	37,22	44,69	52,15	63,35	74,54	96,93	141,72
H MINIMUM = 1,91												
	Y	22,5		1,46	6,69	11,91	17,14	22,37	30,21	38,05	53,72	85,08
	L1	22,5	5,18	10,41	15,64	20,86	26,09	31,31	39,15	46,99	62,67	94,03
	L2	22,5	8,50	13,73	18,95	24,18	29,41	34,63	42,47	50,31	65,99	97,35
	Z	22,5	13,33	18,16	22,99	27,82	32,64	37,47	44,72	51,96	66,44	95,41
H MINIMUM = 3,25												
	Y	30		2,94	6,94	10,94	14,94	20,94	26,94	38,94	62,94	
	L1	30		7,90	11,90	15,90	19,90	23,90	29,90	35,90	47,90	71,90
	L2	30		12,32	16,32	20,32	24,32	28,32	34,32	40,32	52,32	76,32
	Z	30		16,60	20,06	23,53	26,99	30,45	35,65	40,85	51,24	72,02
H MINIMUM = 4,83												
	Y	45			1,50	4,33	7,16	11,40	15,64	24,13	41,10	
	L1	45			10,95	13,78	16,61	20,85	25,09	33,58	50,55	
	L2	45			17,59	20,42	23,25	27,49	31,73	40,22	57,19	
	Z	45			20,14	22,14	24,14	27,14	30,14	36,14	48,14	
H MINIMUM = 8,59												
	Y	60				0,57	2,88	6,34	9,81	16,73	30,59	
	L1	60					12,95	16,41	19,88	26,80	40,66	
	L2	60					21,80	25,26	28,73	35,66	49,51	
	Z	60					21,83	23,56	25,29	28,76	35,68	
H MINIMUM = 12,90												
	Y	90						0,58	3,58	9,58	21,58	
	L1	90							14,37	20,37	32,37	
	L2	90							27,65	33,65	45,65	
	Z	90							22,04	22,04	22,04	
H MINIMUM = 2,54												

Tableaux de cintrage supplémentaires (suite)

	Dim.	ANGLE	2 in	4 in	6 in	8 in	10 in	12 in	15 in	18 in	24 in	36 in
IMC de 38,1 mm (1-1/2 po), en acier rigide et aluminium rigide												
	Y	15		4,75	12,48	20,21	27,93	35,66	47,25	58,84	82,03	128,39
	L1	15	7,71	15,44	23,17	30,90	38,62	46,35	57,94	69,53	92,72	139,08
	L2	15	9,95	17,68	25,40	33,13	40,86	48,58	60,18	71,77	94,95	141,31
	Z	15	15,62	23,08	30,55	38,01	45,48	52,94	64,14	75,33	97,73	142,51
H MINIMUM = 2,11												
	Y	22,5		0,36	5,59	10,82	16,04	21,27	29,11	36,95	52,63	83,98
	L1	22,5	5,18	10,41	15,64	20,86	26,09	31,31	39,15	46,99	62,67	94,03
	L2	22,5	8,53	13,76	18,98	24,21	29,44	34,66	42,50	50,34	66,02	97,38
	Z	22,5	14,13	18,96	23,79	28,62	33,45	38,27	45,52	52,76	67,24	96,22
H MINIMUM = 3,56												
	Y	30		1,90	5,90	9,90	13,90	19,90	25,90	37,90	61,90	
	L1	30		7,90	11,90	15,90	19,90	23,90	29,90	35,90	47,90	71,90
	L2	30		12,36	16,36	20,36	24,36	28,36	34,36	40,36	52,36	76,36
	Z	30		17,41	20,87	24,34	27,80	31,27	36,46	41,66	52,05	72,83
H MINIMUM = 5,24												
	Y	45			0,53	3,36	6,18	10,43	14,67	23,15	40,12	
	L1	45			10,95	13,78	16,60	20,85	25,09	33,57	50,54	
	L2	45			17,65	20,47	23,30	27,55	31,79	40,27	57,24	
	Z	45			20,98	22,98	24,98	27,98	30,98	36,98	48,98	
H MINIMUM = 9,18												
	Y	60					1,92	5,39	8,85	15,78	29,64	
	L1	60					12,94	16,40	19,87	26,80	40,65	
	L2	60					21,87	25,34	28,80	35,73	49,58	
	Z	60					22,69	24,42	26,15	29,62	36,54	
H MINIMUM = 13,65												
	Y	90							2,61	8,61	20,61	
	L1	90							14,34	20,34	32,34	
	L2	90							27,74	33,74	45,74	
	Z	90							22,97	22,97	22,97	
H MINIMUM = 22,97												
IMC de 50,1 mm (2 po), en acier rigide et aluminium rigide												
	Y	15		3,46	11,18	18,91	26,64	34,36	45,96	57,55	80,73	127,09
	L1	15	7,71	15,44	23,17	30,90	38,62	46,35	57,94	69,53	92,71	139,08
	L2	15	10,14	17,87	25,60	33,32	41,05	48,78	60,37	71,96	95,14	141,51
	Z	15	16,10	23,56	31,03	38,49	45,95	53,42	64,61	75,81	98,20	142,99
H MINIMUM = 2,23												
	Y	22,5		4,54	9,77	14,99	20,22	28,06	35,90	51,58	82,93	
	L1	22,5	5,18	10,40	15,63	20,86	26,08	31,31	39,15	46,99	62,67	94,02
	L2	22,5	8,82	14,05	19,28	24,50	29,73	34,95	42,79	50,63	66,31	97,67
	Z	22,5	14,71	19,54	24,37	29,20	34,02	38,85	46,09	53,34	67,82	96,79
H MINIMUM = 3,78												
	Y	30		0,95	4,95	8,95	12,95	18,95	24,95	36,95	60,95	
	L1	30		7,89	11,89	15,89	19,89	23,89	29,89	35,89	47,89	71,89
	L2	30		12,74	16,74	20,74	24,74	28,74	34,74	40,74	52,74	76,74
	Z	30		18,09	21,55	25,02	28,48	31,95	37,14	42,34	52,73	73,52
H MINIMUM = 5,58												
	Y	45				2,43	5,26	9,50	13,74	22,23	39,20	
	L1	45				10,91	13,74	16,57	20,81	25,06	33,54	50,51
	L2	45				18,20	21,03	23,86	28,10	32,34	40,83	57,80
	Z	45				21,88	23,88	25,88	28,88	31,88	37,88	49,88
H MINIMUM = 9,81												
	Y	60					0,94	4,40	7,87	14,79	28,65	
	L1	60					12,86	16,32	19,79	26,72	40,57	
	L2	60					22,58	26,04	29,50	36,43	50,29	
	Z	60					23,83	25,56	27,30	30,76	37,69	
H MINIMUM = 14,64												
	Y	90							1,34	7,34	19,34	
	L1	90								20,02	32,02	
	L2	90								34,59	46,59	
	Z	90								24,75	24,75	
H MINIMUM = 24,27												

Entretien

Réinstallation du sabot combiné de 25,4 mm (1 po) à 50,1 mm (2 po)

Le sabot de base de 25,4 mm (1 po) à 50,1 mm (2 po) ne peut être réinstallé que dans une seule position.

1. Glisser le sabot sur l'axe et l'orienter de manière à placer le crochet EMT (argenté) à environ 90° sur la droite du rayon du pignon comportant deux trous de tenon d'entraînement.
2. Faire glisser le sabot à fond de manière à engager les tenons d'entraînement dans les trous du pignon.
3. Fixer le sabot à l'aide du collier de retenue.

Changer le fusible

AVERTISSEMENT

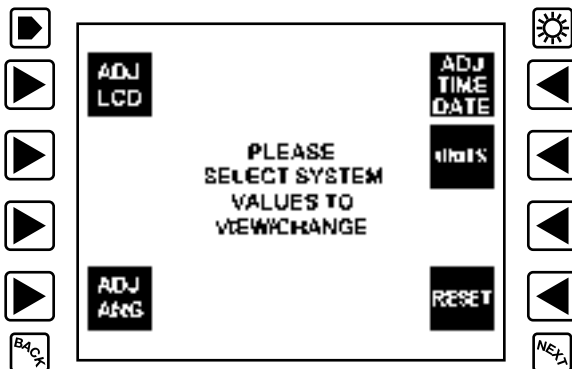
Pour maintenir la protection contre les risques d'incendie et d'électrocution, utiliser UNIQUEMENT des fusibles de mêmes marque, type et valeur nominale.

Le non-respect de cette mise en garde peut entraîner des blessures graves, voire mortelles.

Si le fusible doit être changé, utiliser uniquement un fusible instantané Cooper Bussmann GBB-30 Very Fast-Acting de 6,3 mm x 32 mm (1/4 in x 1-1/4 in).

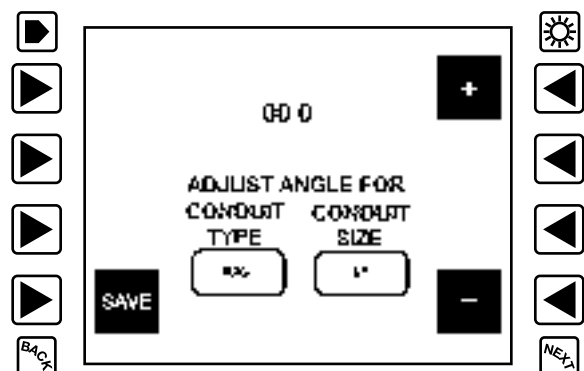
Ajuster les réglages de la cintreuse

1. Depuis l'écran initial, appuyer sur le bouton indiqué « SET UP (Configurer) » pour afficher l'écran ci-dessous.



Important : la cintreuse empêche activement l'utilisateur de modifier les paramètres de la machine au-delà de -10 et -2 degrés.

2. Depuis cet écran, appuyer sur le bouton qui indique le type de réglage à exécuter.
 - a. « ADJ LCD (ACL ADJ) » affiche un écran pour changer le contraste de l'ACL sur la cintreuse. Appuyer sur « + » pour augmenter le contraste ; appuyer sur « - » pour diminuer le contraste.
 - b. « ADJ TIME DATE (Heure/Date ADJ) » affiche un écran pour ajuster l'heure et la date telles que sauvegardées dans la 855GX. Ce réglage est pour l'horloge en temps réel du système qui fonctionne sur pile. Cette horloge est utilisée pour le transfert de l'heure et de la date lors d'une sauvegarde des fichiers sur une clé USB.
 - c. « UNITS (Unités) » affiche un écran pour passer des pouces aux centimètres.
 - d. « RESET (Réinitialiser) » renvoie la 855GX à ses paramètres originaux d'usine, y compris l'effacement de tout programme de cintrage stocké localement.
 - e. « ADJ ANG (ANG ADJ) » affiche l'écran ci-dessous, qui ajuste légèrement l'angle pour le corriger en fonction du type particulier de conduit utilisé. Appuyer sur « + » et « - » pour corriger la valeur. Quand la valeur souhaitée est atteinte, appuyer sur « SAVE (Enregistrer) » pour sauvegarder de manière permanente la valeur dans la cintreuse. Le type et la taille de conduit en cours de réglage apparaissent sur l'écran. Si le type et la taille de conduit ne correspondent pas au conduit pour lequel il faut ajuster les réglages, vous devez alors soit charger ce type de conduit et effectuer une détection automatique, soit revenir en arrière et régler manuellement la cintreuse pour le type et la taille de conduit en question.



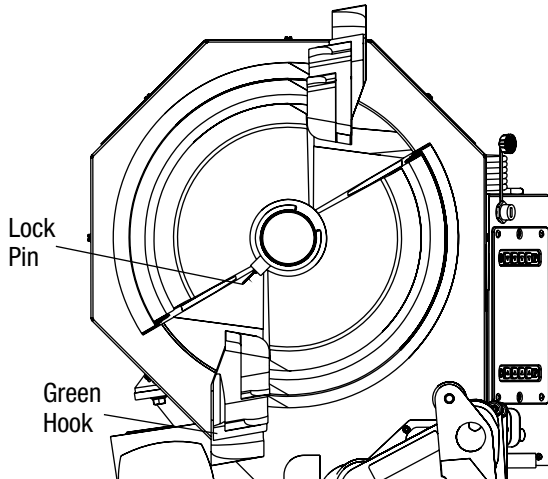
Par exemple, si la taille particulière de conduit en cours de cintrage est constamment sur-cintrée de 2°, appuyer sur « - » pour afficher -2°. De la même façon, appuyer sur « + » si le conduit est systématiquement sous-cintré.

Entretien (suite)

Mise à zéro de la 855GX

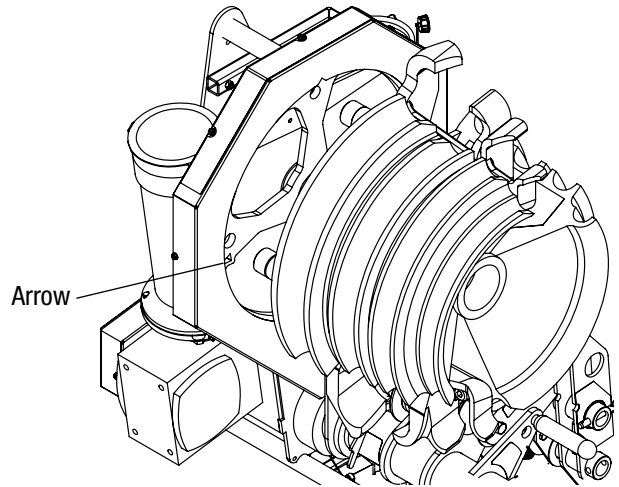
La synchronisation du sabot est ajustée en usine et ne devrait jamais avoir besoin d'être réglée, sauf en cas de démontage du codeur.

1. Faire pivoter la tête de cintrage en position de cintrage verticale.
2. Appuyez sur la touche **BEND** (Cintrer) ou **UNLOAD** (Décharger) jusqu'à ce que le crochet vert IMC/rigid soit en position de chargement (ou 5 degrés), comme indiqué ci-dessous.

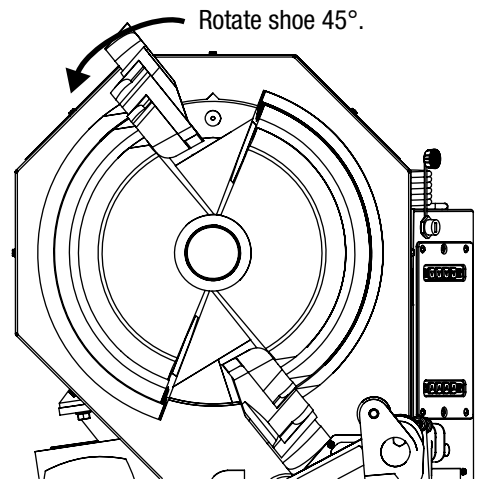


Important : la cintreuse peut être mise à zéro sans que vous devriez enlever complètement la chaussure , mais seulement si la cintreuse est sur une surface plane.

3. Pour remettre à zéro la cintreuse sans enlever complètement la chaussure, suivez ces étapes; sinon, passez à l'étape 4.
 - a. Vérifiez que la courbure est sur une surface plane et que la chaussure ne glissera pas après avoir été déverrouillée de la cintreuse. Si la courbure n'est pas sur une surface de niveau, passez à l'étape 4.
 - b. Le rayon avec flèche doit être placé à 3 heures comme illustré ci-dessous.
 - c. Retirer le col de verrouillage et faire glisser la chaussure à 1 in de la fusée afin que les boulons d'entraînement dégagent la fusée.



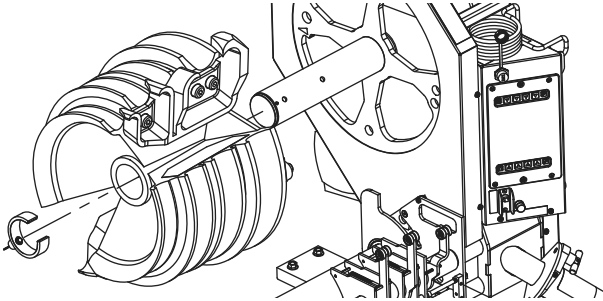
- d. Faire attention à ne pas avoir d'impact sur les rouleaux avec les crochets à chaussures, tourner soigneusement la chaussure sur 45 degrés dans le sens inverse des aiguilles d'une montre afin que le trou d'entraînement et le moyeu de centrage rond derrière la fusée soient visibles à la position de 12 heures.



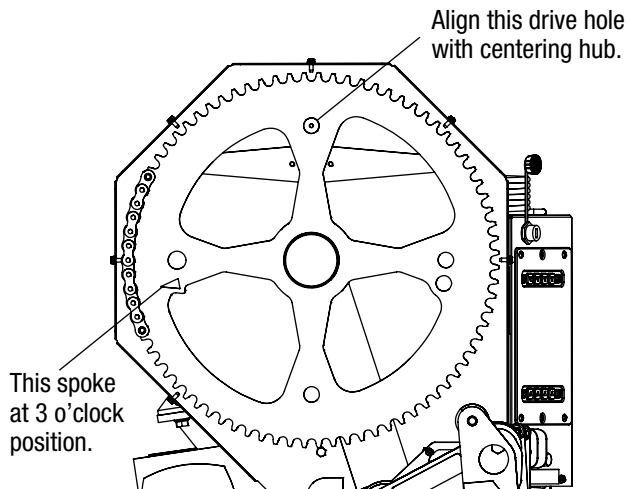
- e. Continuer à l'étape 5.

Entretien (suite)

4. Retirer complètement la chaussure en suivant ces étapes.
 - a. Déposer le collier de verrouillage et le sabot de 25,4 mm (1 po) du moyeu denté.
 - b. Une fois la chaussure déverrouillée, soulevez et retirez la chaussure en effectuant un ascenseur pour deux personnes, avec une personne de chaque côté de la chaussure.



5. À l'aide des touches **BEND** (Cintrer) ou **UNLOAD** (Décharger), aligner avec précision le trou d'entraînement placé à 12 heures avec le moyeu centreur circulaire derrière le pignon.



6. Pour réinitialiser et remettre à zéro la cintreuse, d'abord appuyez et maintenez la touche **CLEAR** (Effacer) sur le pendentif, puis en plus appuyez et maintenez le bouton **JOG** (Marche par à-coups). Continuez à tenir les deux boutons jusqu'à ce que le pendentif affiche « -- », ce qui indique que la cintreuse a été réinitialisée et remise à zéro. Les boutons doivent être maintenus pendant environ 10 secondes.
7. Réinstaller le sabot et le collier de verrouillage.