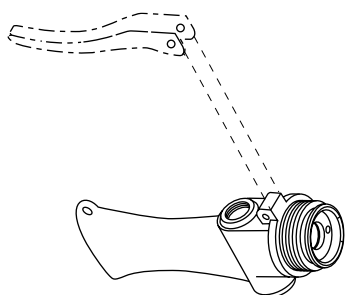


SERVICE BULLETIN



Handle Replacement Service Group 49085

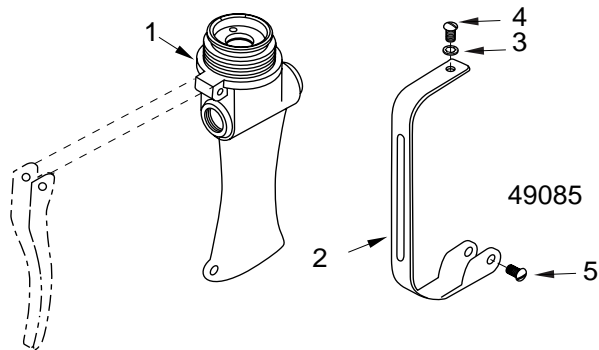


170230

Service Part 170230 Handle is being replaced by Service Group Part 49085

To Include:

KEY	PART NO.	DESCRIPTION	QTY.
1	48813	Handle	1
2	48817	Guard	1
3	L084015	Washer	1
4	F018077	Screw	1
5	F021676	Screw	2



49085

Note: This new style handle now has O-ring style pressure and return porting.

GREENLEE FAIRMONT TEXTRON

Greenlee Textron Inc. / Subsidiary of Textron Inc.

4455 Boeing Drive, Rockford, IL 61109-2988 USA

General Offices: 815/397-7070

Customer Center and Field Service: 800/435-0786

Fax (24 Hours) Customer Center: 800/451-2632 • 815/397-1865

Canada Fax (24 Hour) Customer Center: 800/524-2853

Printed in the U.S.A.