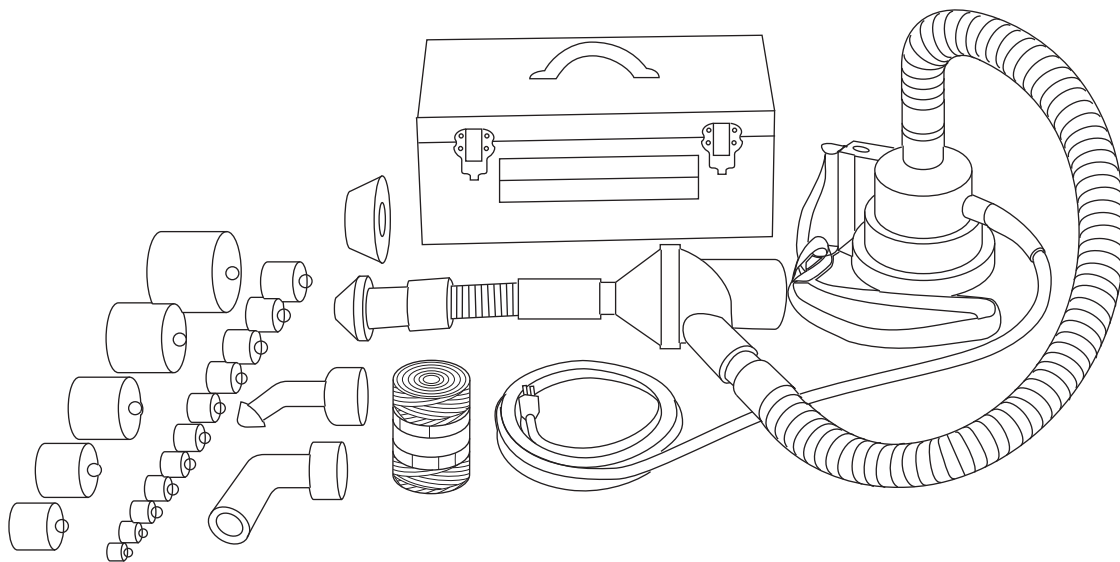


INSTRUCTION MANUAL



GREENLEE®

A Textron Company



Mighty Mouser® Fishing Systems



Read and understand all of the instructions and safety information in this manual before operating or servicing this tool.

Register this product at www.greenlee.com

Table of Contents

Description	2
Safety	2
Purpose of this Manual	2
Important Safety Information	3
Grounding Instructions	4
Specifications	4
Operation	5
Illustrations and Parts Lists	6-8

Description

The Greenlee Mighty Mouser® Fishing Systems are intended to “fish” or install pulling line or measuring tape in up to 4" conduit.

Safety

Safety is essential in the use and maintenance of Greenlee tools and equipment. This instruction manual and any markings on the tool provide information for avoiding hazards and unsafe practices related to the use of this tool. Observe all of the safety information provided.

Purpose of this Manual

This instruction manual is intended to familiarize all personnel with the safe operation procedures for the following Greenlee tools:

- 591 Portable Blower Power Fishing System
- 592 Mighty Mouser Blow Gun Kit
- 691 Mighty Mouser Blow Gun

Keep this manual available to all personnel.

Replacement manuals are available upon request at no charge at www.greenlee.com.



Do not discard this product or throw away!

For recycling information, go to www.greenlee.com.

All specifications are nominal and may change as design improvements occur. Greenlee Textron Inc. shall not be liable for damages resulting from misapplication or misuse of its products. Might Mouser is a registered trademark of Greenlee Textron Inc.

KEEP THIS MANUAL

IMPORTANT SAFETY INFORMATION



SAFETY ALERT SYMBOL

This symbol is used to call your attention to hazards or unsafe practices which could result in an injury or property damage. The signal word, defined below, indicates the severity of the hazard. The message after the signal word provides information for preventing or avoiding the hazard.

⚠ **DANGER**

Immediate hazards which, if not avoided, **WILL** result in severe injury or death.

⚠ **WARNING**

Hazards which, if not avoided, **COULD** result in severe injury or death.

⚠ **CAUTION**

Hazards or unsafe practices which, if not avoided, **MAY** result in injury or property damage.



⚠ **WARNING**

Electric shock hazard:

- Do not leave unit unattended when plugged in. Unplug from outlet when not in use.
- Do not expose to rain. Store indoors.
- Do not handle plug or blower with wet hands.
- Do not use with a damaged cord or plug. If the blower is not working as it should, if it has been dropped, damaged, left outdoors or dropped into water, send it to an authorized Greenlee service center.
- Do not pull or carry by cord, use the cord as a handle, close a door on the cord, or pull cord around sharp edges or corners. Keep cord away from heated surfaces.
- Do not unplug by pulling on cord. To unplug, grasp and pull the plug — not the cord.
- Connect to a properly grounded outlet only. Refer to “Grounding Instructions.”

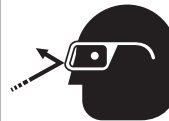
Failure to observe these warnings could result in severe injury or death.



⚠ **WARNING**

Read and understand all of the instructions and safety information in this manual before operating or servicing this tool.

Failure to observe this warning could result in severe injury or death.



⚠ **WARNING**

Wear eye protection and a dust mask when operating the unit. Piston and debris will exit the conduit at high speed.




Failure to observe this warning could result in serious injury from flying debris.

⚠ **WARNING**

Use this tool for the manufacturer’s intended purpose only. Use other than that which is described in this manual could result in injury or property damage.

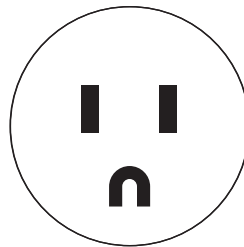
Grounding Instructions

	⚠ WARNING
	<p>Electric shock hazard:</p> <ul style="list-style-type: none">• Do not modify the plug provided with the tool.• Connect this tool to a grounded receptacle on a 15-amp GFCI protected circuit. <p>Failure to observe these warnings could result in severe injury or death.</p>

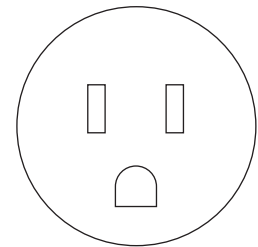
This tool must be grounded. In the event of a malfunction or breakdown, an electrical ground provides a path of least resistance for the electric current. This path of least resistance is intended to reduce the risk of electric shock.

This tool's electric cord has a grounding conductor and a grounding plug as shown. Do not modify the plug. Connect the plug to a corresponding GFCI protected receptacle that is properly installed and grounded in accordance with all national and local codes and ordinances.

Do not use an adapter.



Plug



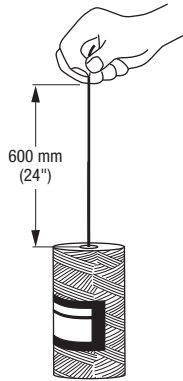
Receptacle

Operation

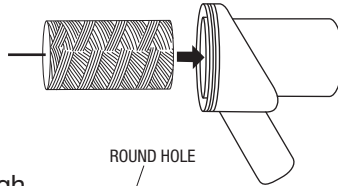
Loading Mighty Mouser Blow Gun

Note: Use only Greenlee 595 fish line.

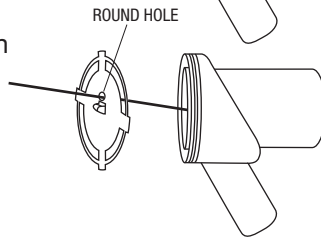
1. Make approximately a 6 mm (1/4") hole in the center of the 595 fish line.
2. Pull out at least 600 mm (24") of fish line.



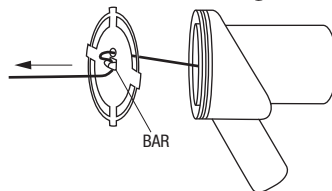
3. Put the fish line spool into the canister.



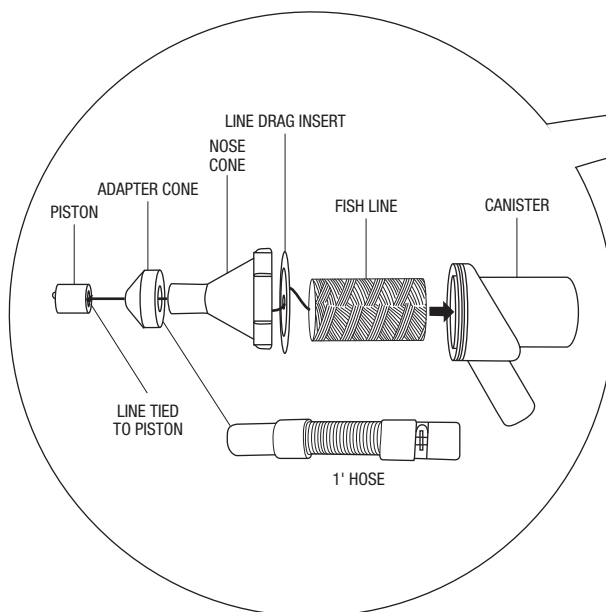
4. Feed the fish line through the round hole in the drag line insert.



5. Thread the fish line under the bar on the drag line insert.



6. Screw the line drag insert into the nose cone, and screw the nose cone onto the canister handle section.



Blowing Line

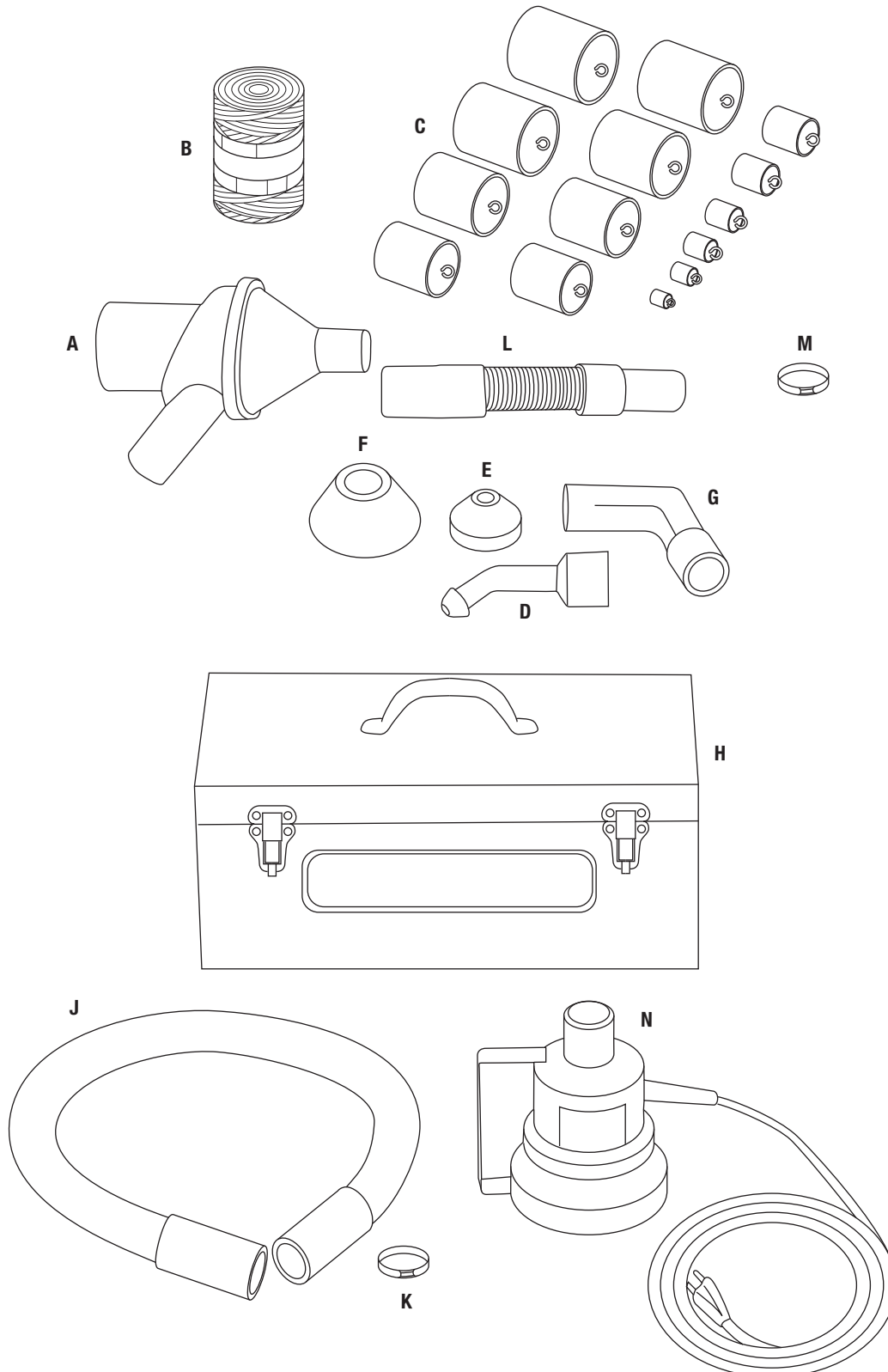
1. Load the fish line into the canister. Refer to "Loading Mighty Mouser Blow Gun."
2. Insert hose couplings into the canister handle. Clamp the hose coupling over the blower exhaust nozzle securely.
3. Install the appropriate adapter cone on the canister exhaust nozzle with the fish line inserted through the cone.

Note: Install the 1' hose between the blow gun and adapter when the unit is used in tight quarters. Attach the hose to the blow gun with the clamp provided.

4. Tie the fish line to the proper size piston loop.
5. Hang the blower from your shoulder by the carry strap, place the piston in the conduit, and then press the cone adapter squarely and firmly into the conduit opening.
6. Turn the blower switch on. When the piston exits the conduit, turn the power switch off.

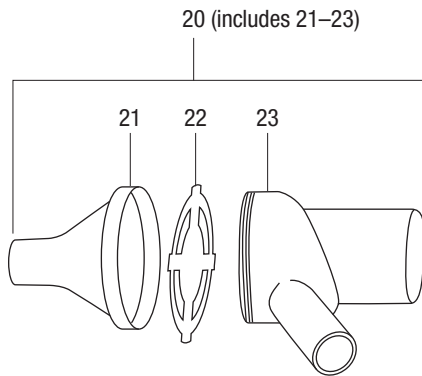


**591 Portable Blower Power Fishing System and
592 Mighty Mouser Blow Gun Kit**



Product Components List

Key	392	591	592	Cat. No.	Description
A		1	1	691	Mighty Mouser Blow Gun
B	1	1	1	595	85 lb tensile strength nylon fish line
C	1			608	Piston for 1/2" rigid, IMC, EMT
C	1			609	Piston for 3/4" rigid, IMC, EMT
C	1			610	Piston for 1" rigid, IMC, EMT
C	1			611	Piston for 1-1/4" rigid, IMC, EMT
C	1			612	Piston for 1-1/2" rigid, IMC, EMT
C	1			613	Piston for 2" rigid, IMC, EMT
C				614	Piston for 2-1/2" rigid, IMC
C				621	Piston for 2-1/2" EMT
C				615	Piston for 3" rigid, IMC
C				622	Piston for 3" EMT
C				616	Piston for 3-1/2" rigid, IMC
C				646	Piston for 3-1/2" EMT
C				617	Piston for 4" rigid, IMC
C				623	Piston for 4" EMT
D	1	1	1	25646	Adapter cone, 1/2" to 1"
E	1	1	1	25644	Adapter cone, 1-1/4" to 2-1/2"
F		1	1	25645	Adapter cone, 3" to 4"
G	1	1		23360	Adapter nozzle for tape and line
H		1	1	32662	Storage box
J		1		32431	Flexible hose, 1-1/2" dia. x 4'
K		1		33451	Hose clamp
L	1	1	1	32104	Flexible hose, 1-1/2" dia. x 1'
M	1	1	1	53633	Hose clamp (to secure item L to A)
N		1		590	Portable blower
	1			54284	Accessory container (not shown)
	1			39063	Lid (not shown)
	1			39052	Decal (not shown)

Illustration and Parts List for 691 Mighty Mouser Blow Gun


Key	Part No.	Description	Qty
20	691	Blow gun (includes items 21-23).....	1
21	50320971	Nose cone.....	1
22	50320980	Line drag insert.....	1
23	50320963	Handle section.....	1