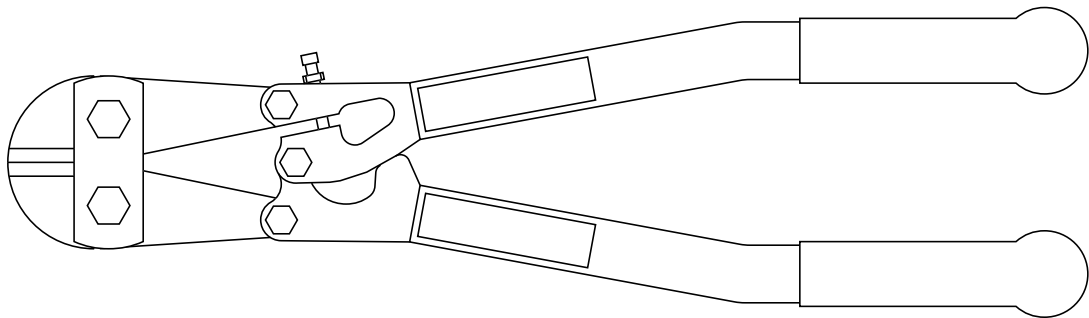



# INSTRUCTION SHEET



## Bolt Cutters

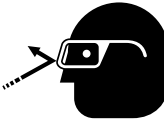


**Read and understand** all of the instructions and safety information in this manual before operating or servicing this tool.



**⚠ WARNING**

Electric shock hazard:  
This is not an insulated tool.  
Contact with live circuits could result in severe injury or death.



**⚠ WARNING**

Wear eye protection when using this tool.  
Failure to wear eye protection could result in serious eye injury from flying debris.

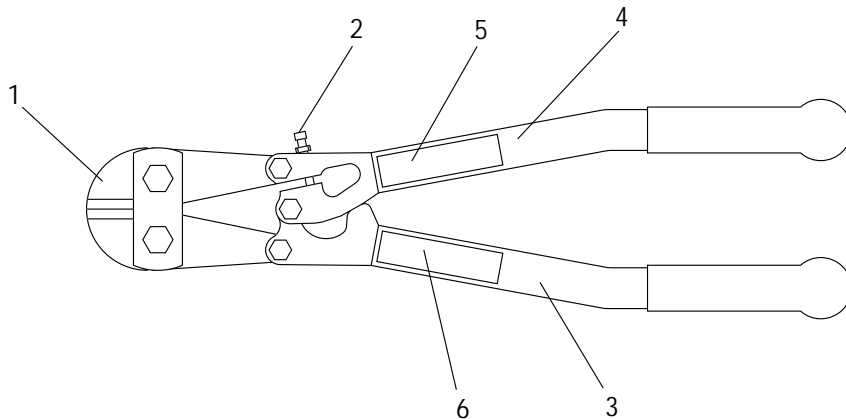
**⚠ CAUTION**

- Do not exceed the rated capacity of this tool.
- This tool is designed for two-handed operation. Maintain a firm grip on both handles during operation.
- Do not use handle extensions (cheaters).

Failure to observe these precautions may result in injury or property damage.

### Jaw Adjustment

1. Loosen lock nut on adjusting bolt.
2. Align cutter jaws by rotating adjusting bolt. Tighten adjusting bolt to close jaws.
3. Tighten lock nut securely after adjustment completed.



## Parts List

	STANDARD DUTY						HEAVY DUTY				HEAVY DUTY FIBERGLASS HANDLE			
	14"	18"	24"	30"	36"	42"	24"	30"	36"	42"	18"	24"	30"	36"
Cat. / UPC No.	BC14	BC18	BC24	BC30	BC36	BC42	HDBC24	HDBC30	HDBC36	HDBC42	HDFBC18	HDFBC24	HDFBC30	HDFBC36
Length	14"	18"	24"	30"	36"	42"	24"	30"	36"	42"	18"	24"	30"	36"
Head Color	Black	Black	Black	Black	Black	Black	Red	Red	Red	Red	Red	Red	Red	Red
Weight (lb)	2.4	3.4	5.8	8.9	13.3	19.8	5.8	8.9	13.3	19.8	4.2	6.2	9.0	14.0
Cap @ Rb 85 Dia.	1/4"	5/16"	3/8"	1/2"	5/8"	3/4"	3/8"	1/2"	5/8"	3/4"	5/16"	3/8"	1/2"	5/8"
Cap @ Rc 40 Dia.	3/16"	1/4"	5/16"	11/32"	3/8"	7/16"	NOT RATED				NOT RATED			
Cap @ Rc 48 Dia.	NOT RATED						9/32"	5/16"	11/32"	3/8"	7/32"	9/32"	5/16"	11/32"
1 Blade Unit w/bolts	11281	11301	11306	11316	11321	11335	11342	11344	11346	11348	11367	11342	11344	11346
2 Adjustment Assembly	11282	11302	11307	11317	11322	11336	11307	11317	11322	11336	11368	11307	11317	11322
3 Left Handle w/bolts	11283	11303	11308	11318	11323	11337	11308	11318	11323	11337	11369	11375	11378	11383
4 Right Handle w/bolts	11284	11304	11309	11319	11324	11338	11309	11319	11324	11338	11370	11376	11379	11384
5 ID Decal	11285	11305	11310	11320	11325	11339	11343	11345	11347	11349	11371	11377	11380	11385
6 Jaw Adjustment Decal	05484	05484	05484	05484	05484	05484	05484	05484	05484	05484	05484	05484	05484	05484