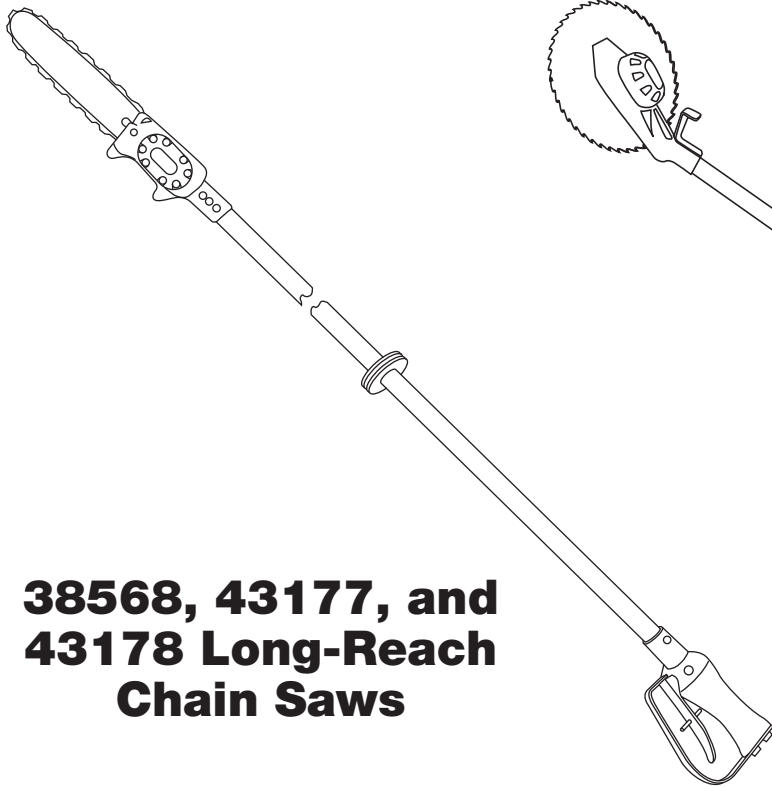


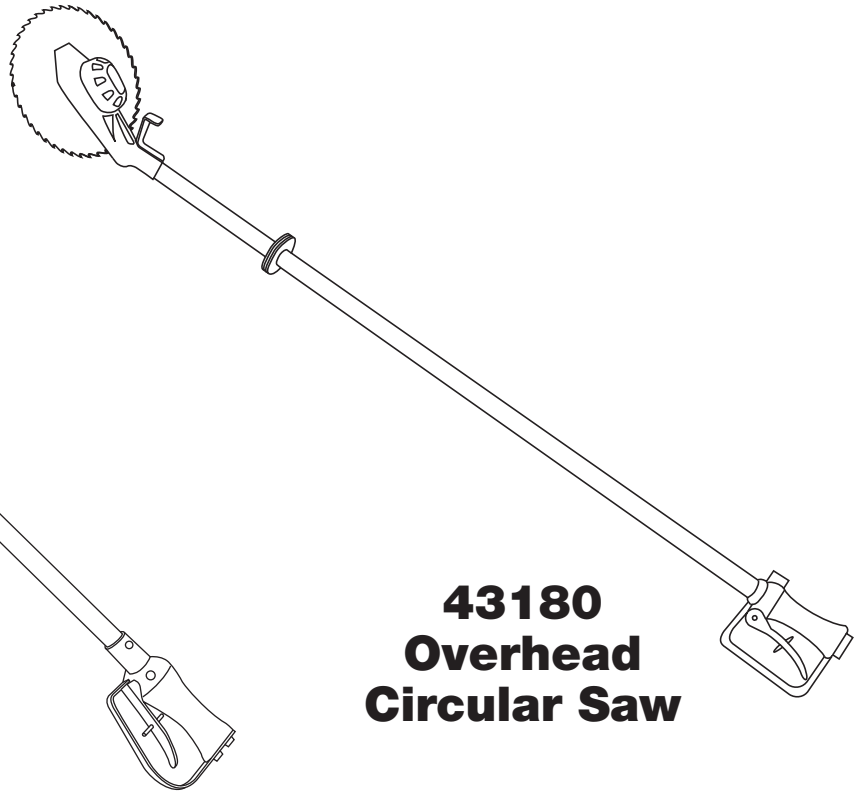
SERVICE BULLETIN



04796 Trigger Interlock Assembly for use on



**38568, 43177, and
43178 Long-Reach
Chain Saws**




**43180
Overhead
Circular Saw**



Read and understand all of the instructions and safety information in this manual before operating or servicing this tool.

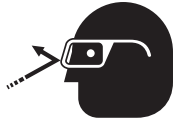
Register this product at www.greenlee.com



⚠ WARNING

Read and understand all of the instructions and safety information in this bulletin before operating or servicing this tool. Refer also to the instruction manuals for your saw.

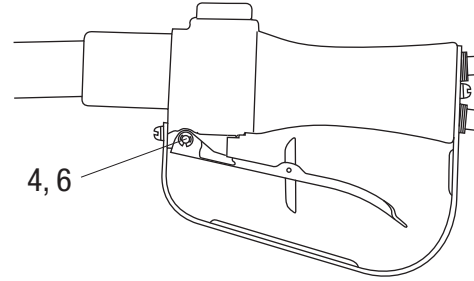
Failure to observe this warning could result in severe injury or death.



⚠ WARNING

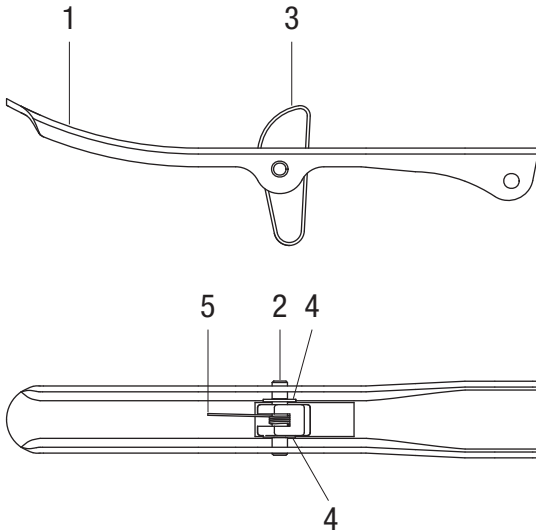
Wear eye protection when operating or servicing this tool.

Failure to wear eye protection could result in serious eye injury from flying debris or hydraulic oil.



5. Remove the retaining ring (4) and trigger pivot pin (6), which secures the trigger interlock assembly. Remove and discard the trigger assembly, trigger pivot pin, and retaining rings.
6. Assemble the new trigger interlock assembly to the tool in reverse order from step 5 above.

Kit Instructions



1. Position the trigger (1) and safety latch (3) as shown.
2. Slide the pin (2) half way through the trigger (1) and safety latch (3).
3. Position the torsion spring (5) as shown and slide the pin (2) completely through the trigger (1).
4. Assemble two retaining rings (4) onto the pin (2) in the grooves provided.

Parts List

Key	UPC No. 78-3310-	Part No.	Description	Qty
1	04797	50047973	Trigger.....	1
2	04800	50048007	Pin.....	1
3	04798	50047981	Safety latch.....	1
4	42827	50428270	Retaining ring.....	4
5	04799	50047990	Torsion spring	1
6	42547	50425471	Trigger pivot pin	1



GREENLEE
 A Textron Company

USA 800-435-0786 Fax: 800-451-2632
 815-397-7070 Fax: 815-397-1865
 Canada 800-435-0786 Fax: 800-524-2853
 International +1-815-397-7070 Fax: +1-815-397-9247

4455 Boeing Drive • Rockford, IL 61109-2988 • USA • 815-397-7070
 An ISO 9001 Company • Greenlee Textron Inc. is a subsidiary of Textron Inc.

www.greenlee.com