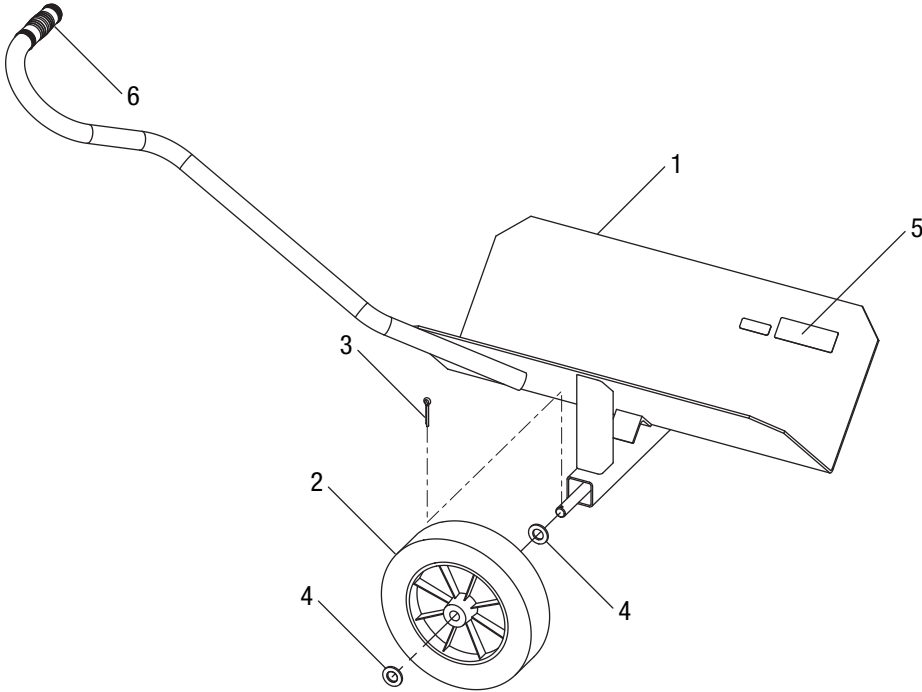


# PARTS LIST



## 36745 Pipe Cart

**Maximum Capacity:**  
1000 lb (454 kg) / 20" (508 mm) pipe size

**⚠ CAUTION**  
Use on smooth, level surfaces.

Key	Part No.	Description	Qty
1		Pipe cart weldment .....	1
2		Wheel .....	2
3		Pin, cotter.....	2
4		Washer, flat.....	4
5		Decal, ID.....	1
6		Grip.....	1

**Wheel Replacement Kits**  
(each kit includes one wheel, one cotter pin, and two washers)

- 50021826 16" pneumatic wheel for 1" axle
- 52064236 12" non-flat wheel for 3/4" axle



[www.greenlee.com](http://www.greenlee.com)  
4455 Boeing Drive • Rockford, IL 61109-2988 • USA • 815-397-7070  
©2019 Greenlee Tools, Inc. • An ISO 9001 Company

**USA** Tel: 800-435-0786  
Fax: 800-451-2632

**Canada** Tel: 800-435-0786  
Fax: 800-524-2853

**International** Tel: +1-815-397-7070  
Fax: +1-815-397-9247

Register this product at [www.greenlee.com](http://www.greenlee.com)