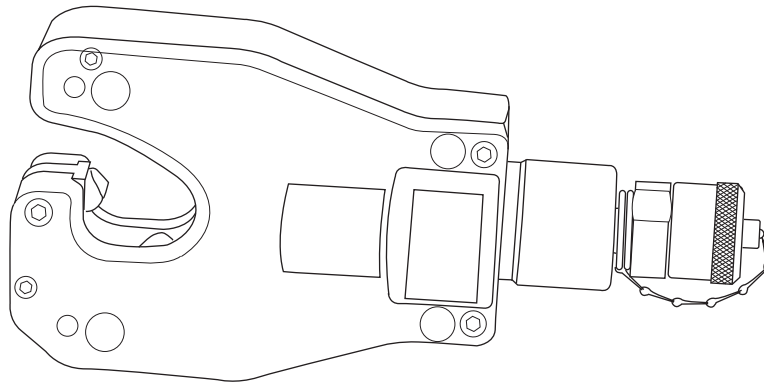


INSTRUCTION MANUAL



RK06AT Hydraulic Crimping Tool



Read and understand all of the instructions and safety information in this manual before operating or servicing this tool.

Register this product at www.greenlee.com

Table of Contents

Description	2
Purpose	2
Important Safety Information	3-4
Identification	5
Specifications	5
Operation.....	6-7
Periodic Pressure Relief Valve Check.....	7
Illustrations	8-9
Parts List	10

Description

The RK06AT Hydraulic Crimping Tool is a dieless crimping tool intended to crimp aluminum and copper connectors onto electrical cable.

This crimping tool is to be coupled to any Greenlee or Greenlee Utility hydraulic pump capable of developing 700 bar (10,000 psi). Suggested pumps include:

Pump Type	Model Number
Hand Pump	755
Electric Pump (120-Volt Models).....	975 980 960 SAPS Greenlee Utility PPS 1020
Electric Pump (220-Volt Models).....	976-22FS 976-22PS 980-22FS 980-22PS
Greenlee Utility Intensifier	H6710B* H6710B1* H6710B4*

* Requires PVA0021 Control Valve

Safety

Safety is essential in the use and maintenance of Greenlee tools and equipment. This instruction manual and any markings on the tool provide information for avoiding hazards and unsafe practices related to the use of this tool. Observe all of the safety information provided.

Purpose of this Manual

This manual is intended to familiarize all personnel with the safe operation and maintenance procedures for the following Greenlee tool:

RK06AT Hydraulic Crimping Tool

Keep this manual available to all personnel.

Replacement manuals are available upon request at no charge at www.greenlee.com.

All specifications are nominal and may change as design improvements occur. Greenlee Textron Inc. shall not be liable for damages resulting from misapplication or misuse of its products. Blackburn is a registered trademark of Thomas & Betts.

KEEP THIS MANUAL

IMPORTANT SAFETY INFORMATION



SAFETY ALERT SYMBOL

This symbol is used to call your attention to hazards or unsafe practices which could result in an injury or property damage. The signal word, defined below, indicates the severity of the hazard. The message after the signal word provides information for preventing or avoiding the hazard.

⚠️ DANGER

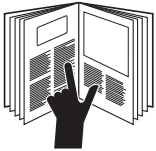
Immediate hazards which, if not avoided, **WILL** result in severe injury or death.

⚠️ WARNING

Hazards which, if not avoided, **COULD** result in severe injury or death.

⚠️ CAUTION

Hazards or unsafe practices which, if not avoided, **MAY** result in injury or property damage.



⚠️ WARNING

Read and understand all of the instructions and safety information in this manual before operating or servicing this tool.

Failure to observe this warning could result in severe injury or death.

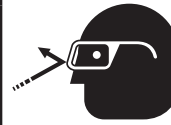


⚠️ WARNING

Electric shock hazard:

This tool is not insulated. When using this unit on or near energized electrical lines, use proper personal protective equipment.

Failure to observe this warning could result in severe injury or death.



⚠️ WARNING

Wear eye protection when operating this tool.

Failure to wear eye protection could result in serious eye injury from flying debris or hydraulic oil.



⚠️ WARNING

Skin injection hazard:

- Hand-tighten all couplers completely before operating the pump. Do not use tools.
- Do not use hands to check for leaks.
- Do not hold the hose or couplers while the hydraulic system is pressurized.
- Depressurize the hydraulic system before servicing.

Oil under pressure easily punctures skin causing serious injury, gangrene or death. If you are injured by escaping oil, seek medical attention immediately.

IMPORTANT SAFETY INFORMATION

⚠ WARNING

An incomplete crimp can cause a fire.

- Use proper connector and cable combinations. Improper combinations can result in an incomplete crimp.
- Crimp until the pump has reached relief pressure. If you do not achieve relief pressure you will have an incomplete crimp.

Failure to observe these warnings could result in severe injury or death.

⚠ WARNING

Inspect tool before use. Replace any worn or damaged parts. A damaged or improperly assembled tool can break and strike nearby personnel.

Failure to observe this warning could result in severe injury or death.



⚠ WARNING

Keep hands away from the crimping tool head when crimping.

Failure to observe this warning could result in severe injury or death.

⚠ WARNING

Follow the instructions and safety information supplied with the pump.

Failure to observe this warning could result in severe injury or death.

⚠ WARNING

Use only Greenlee supplied hoses and couplers. Other manufacturers' components may fail.

Failure to observe this warning could result in severe injury or death.

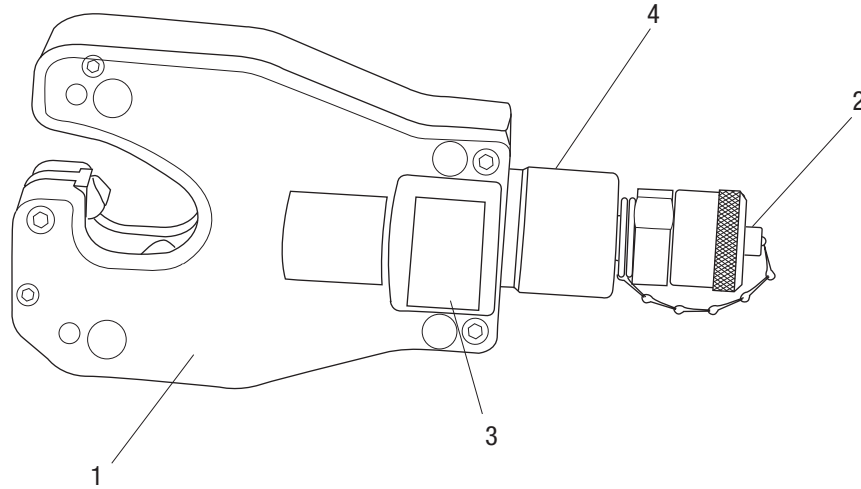
⚠ CAUTION

Do not operate the tool without a connector in place. Damage to the ram or crimping tool head can result.

Failure to observe this precaution may result in injury and property damage.

Note: Keep all decals clean and legible, and replace when necessary.

Identification



RK06AT

- 1. Crimping Head
- 2. Coupler
- 3. Decal
- 4. Decal

Specifications


Crimping Tool

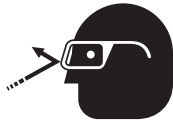
Length	254 mm (10")
Width	127 mm (5")
Height	66.5 mm (2.62")
Mass/Weight	2.8 kg (6 lb 1 oz)


Crimping Capacities

Crimping Range	Copper — 4 AWG to 500 kcmil
Crimping Force.....	55 kN (6.2 tons)


Operation

	⚠ WARNING
	<p>Electric shock hazard: This tool is not insulated. When using this unit on or near energized electrical lines, use proper personal protective equipment.</p> <p>Failure to observe this warning could result in severe injury or death.</p>

	⚠ WARNING
	<p>Wear eye protection when operating this tool.</p> <p>Failure to wear eye protection could result in serious eye injury from flying debris or hydraulic oil.</p>

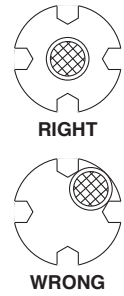
	⚠ WARNING
	<p>Skin injection hazard:</p> <ul style="list-style-type: none"> • Hand-tighten all couplers completely before operating the pump. Do not use tools. • Do not use hands to check for leaks. • Do not hold the hose or couplers while the hydraulic system is pressurized. • Depressurize the hydraulic system before servicing. <p>Oil under pressure easily punctures skin causing serious injury, gangrene or death. If you are injured by escaping oil, seek medical attention immediately.</p>

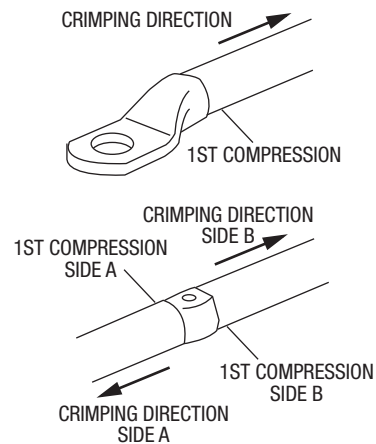
⚠ WARNING
<p>An incomplete crimp can cause a fire.</p> <ul style="list-style-type: none"> • Use proper connector and cable combinations. Improper combinations can result in an incomplete crimp. • Crimp until the pump has reached relief pressure. If you do not achieve relief pressure you will have an incomplete crimp. <p>Failure to observe these warnings could result in severe injury or death.</p>

	⚠ WARNING
	<p>Keep hands away from the crimping tool head when crimping.</p> <p>Failure to observe this warning could result in severe injury or death.</p>

⚠ WARNING
<p>Follow the instructions and safety information supplied with the pump.</p> <p>Failure to observe this warning could result in severe injury or death.</p>

1. Follow the lug manufacturer's instructions for appropriate cable strip length and surface preparation.
2. Insert cable fully into connector. Center the connector between the nibs.

	IMPORTANT
	<p>Small connectors may become wedged between the nibs of the tool. Center the connector between the four nibs before crimping.</p> <p>Failure to observe this precaution may cause property damage.</p>



3. Using the sequence illustrated here, activate the pump to advance the nibs. Continue crimping until the pressure relief valve activates.
4. After achieving pressure relief, release the hydraulic pressure at the pump. The ram will automatically return to the start position and the nibs will retract.
5. Complete the number of crimps specified by the connector manufacturer.

Connector Selection

Tool Range: Copper — 4 AWG to 500 kcmil (except as noted Δ)

This tool is cUL and UL classified for use with the following connector brands:

CONNECTOR TYPE	BARREL TYPE	ANDERSON	BLACKBURN®	BURNDY	ILSCO	PANDUIT	T&B	PENN-UNION	NO. OF CRIMPS*
Copper Splices	Short	VHSS	CSP	YS-L	CT	SCSS/SCS	54506–54518	BCU	4 to 4/0 AWG: 1 crimp 250 to 500 kcmil: 2 crimps
	Long	VHS	CU	YS	CTL	SCL/SCH	54806–54818	BBCU	
Copper Lugs	Short	VHCS	CTL-2/CTL	YA-2LN/YA-L/YA-2L YA/YA-L-TC/YA-L-2TC	CSW ^Δ CRA/CRB	LCAS/LCA LCD	54106–54118 54206–54286	BLU	
	Long	VHCL	CTL-L/LCN	YA-2N	CLN, CLW ^Δ CRA-L/CRB-L CRA-2L/CRB-2L	LCB/LCC	54906BE–54919BE 54854BE–54876BE	BBLU	



*Use the number of crimps listed in the last column instead of the number provided with the connector.

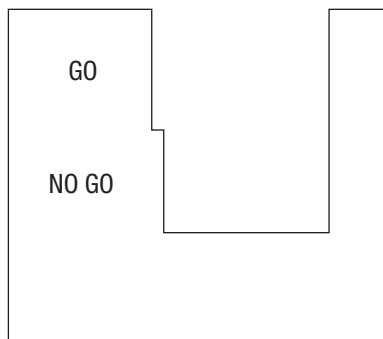
Δ ILSCO Capacity: 4 AWG to 250 kcmil

Periodic Pressure Relief Valve Check

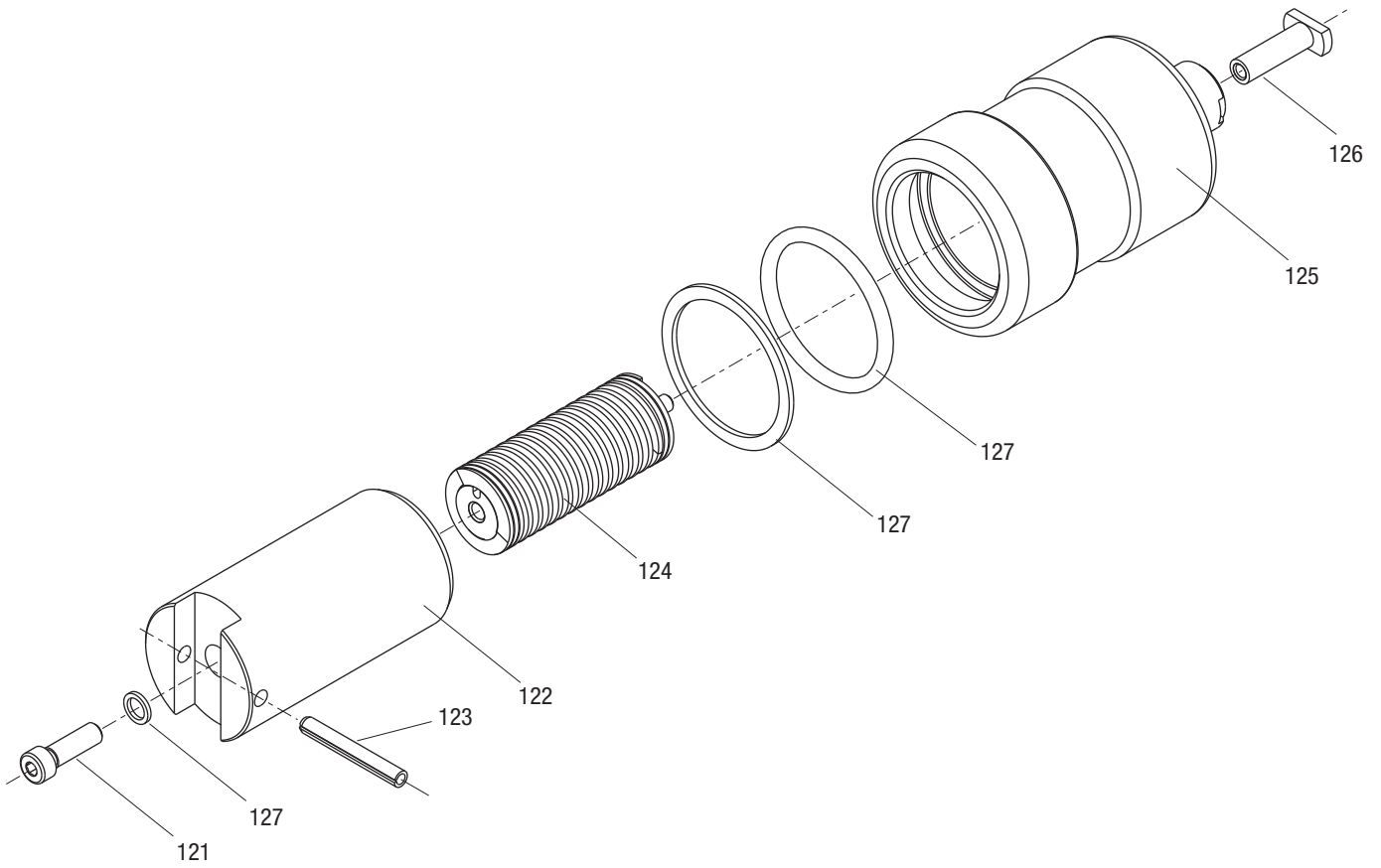
Test the crimping tool periodically to ensure that the pressure relief valve activates at the proper pressure.

Testing the Crimping Tool

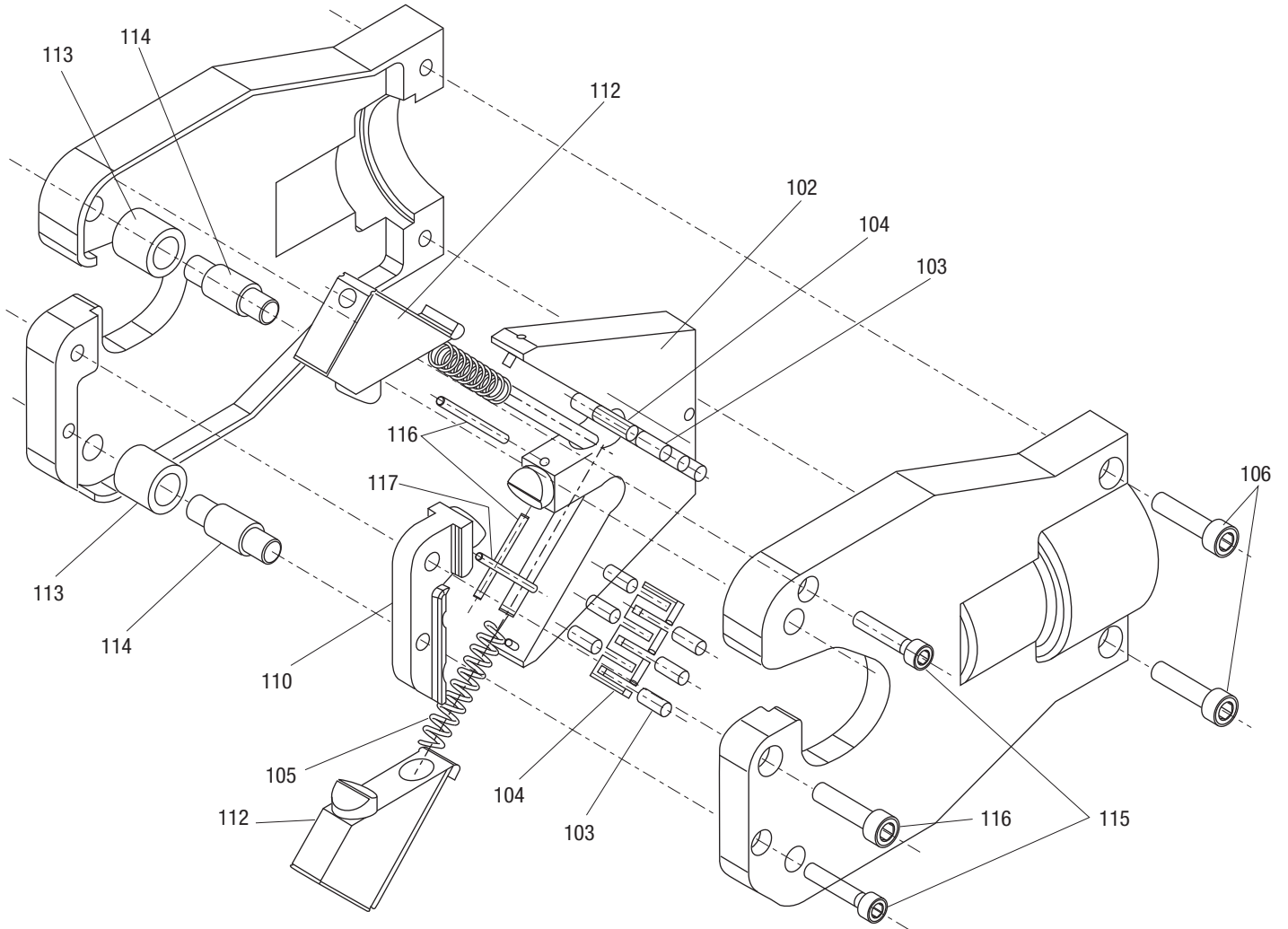
1. Center a test slug between the nibs.
2. Activate the pump to advance the nibs. Continue crimping until the pressure relief valve activates.
3. After achieving pressure relief, release the hydraulic pressure at the pump. The ram will automatically return to the start position and the nibs will retract.
4. Evaluate the test slug as follows:
 - If the test slug does not fit into GO slot, the pressure relief valve is set too high. Send the pump to an authorized Greenlee service center.
 - If the test slug fits into the GO slot, the pressure relief valve is set correctly.
 - If the test slug fits into the NO GO slot, the pressure relief valve is set too low. Send the pump to an authorized Greenlee service center.



Illustration



Illustration



Parts List

Key	Part No.	Description	Qty
100	50017314	Head cover (LH)	1
101	50017322	Head cover (RH).....	1
102	50017292	Cam yoke assembly.....	1
103		Roller bearings	12
104		Bearing retainers.....	2
105	50060910	Compression spring.....	2
106	50061003	Socket head cap screw, ø1/4-20 x 1 Nylock	2
110	50060848	Fixed jaw	1
112	50060856	Moving side jaw	2
113	50060864	Pivot roller	2
114	50060872	Pivot pin	2
115		Socket head cap screw, #10-32 x 1	2
116	50017276	Spring pin.....	2
117	50017349	Spring pin.....	1
121		Socket head cap screw, #10-32 x .62	1
122	50061054	Piston master cylinder	1
123	50061046	Roll pin, ø5/32 x 1	1
124	50060945	Main ram return spring.....	1
125	50061062	Master cylinder	1
126	50061127	Spring anchor.....	1
127	50061283	Seal kit	1
128	90508238	Coupler w/dust cap (not shown).....	1
	50060813	Decal, ID and warning.....	1
	50018817	Decal, connector compatibility	1

Kits

50061291	Bearing/retainer kit (includes 103 and 104)
50017284	Quad point AT head assembly (includes 100-117)
50063081	10 test slugs with gage
50106368	Case, carrying
50060953	Head cover set