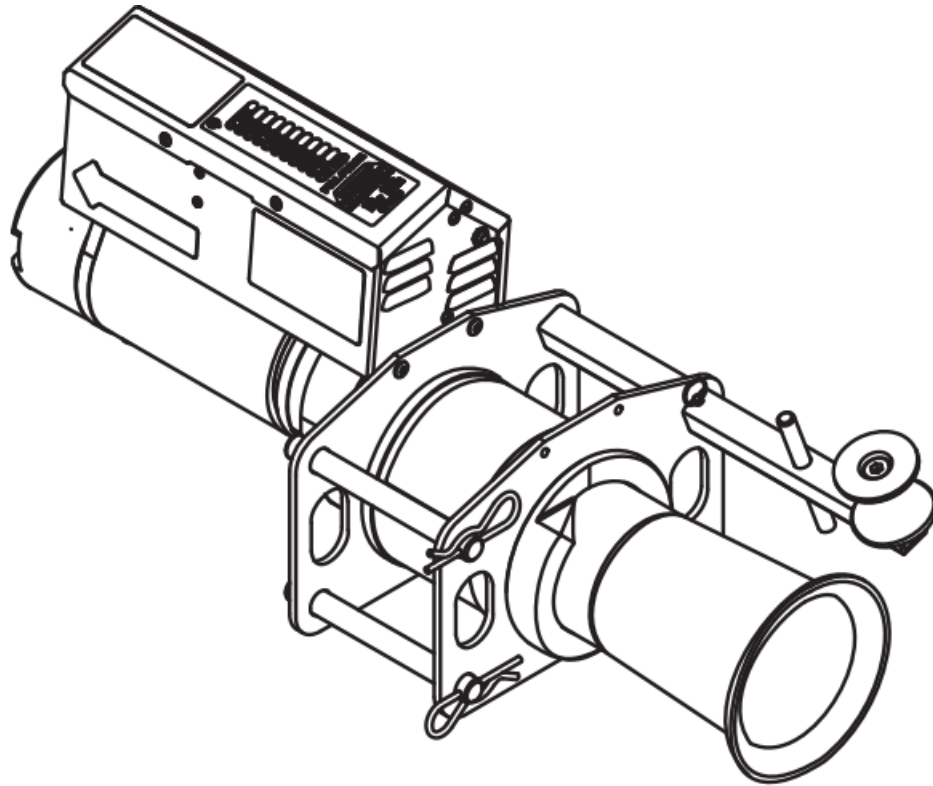


# SERVICE PARTS LIST



## GX10 Tugger™ Cable Puller

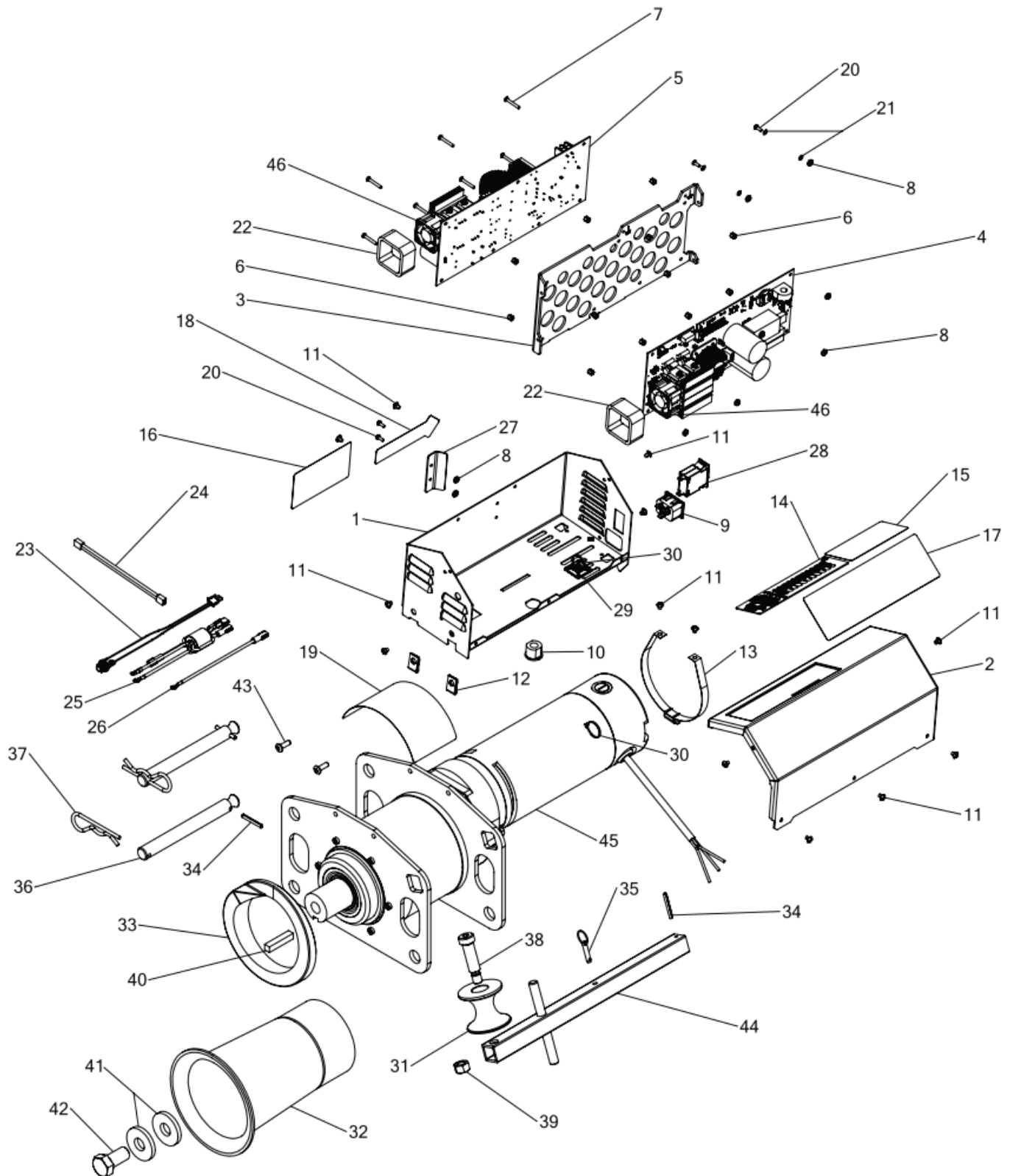


Read and understand all of the instructions and safety information in this document before operating or servicing this tool.

**KEEP THIS DOCUMENT**

Register this product at [www.greenlee.com](http://www.greenlee.com)

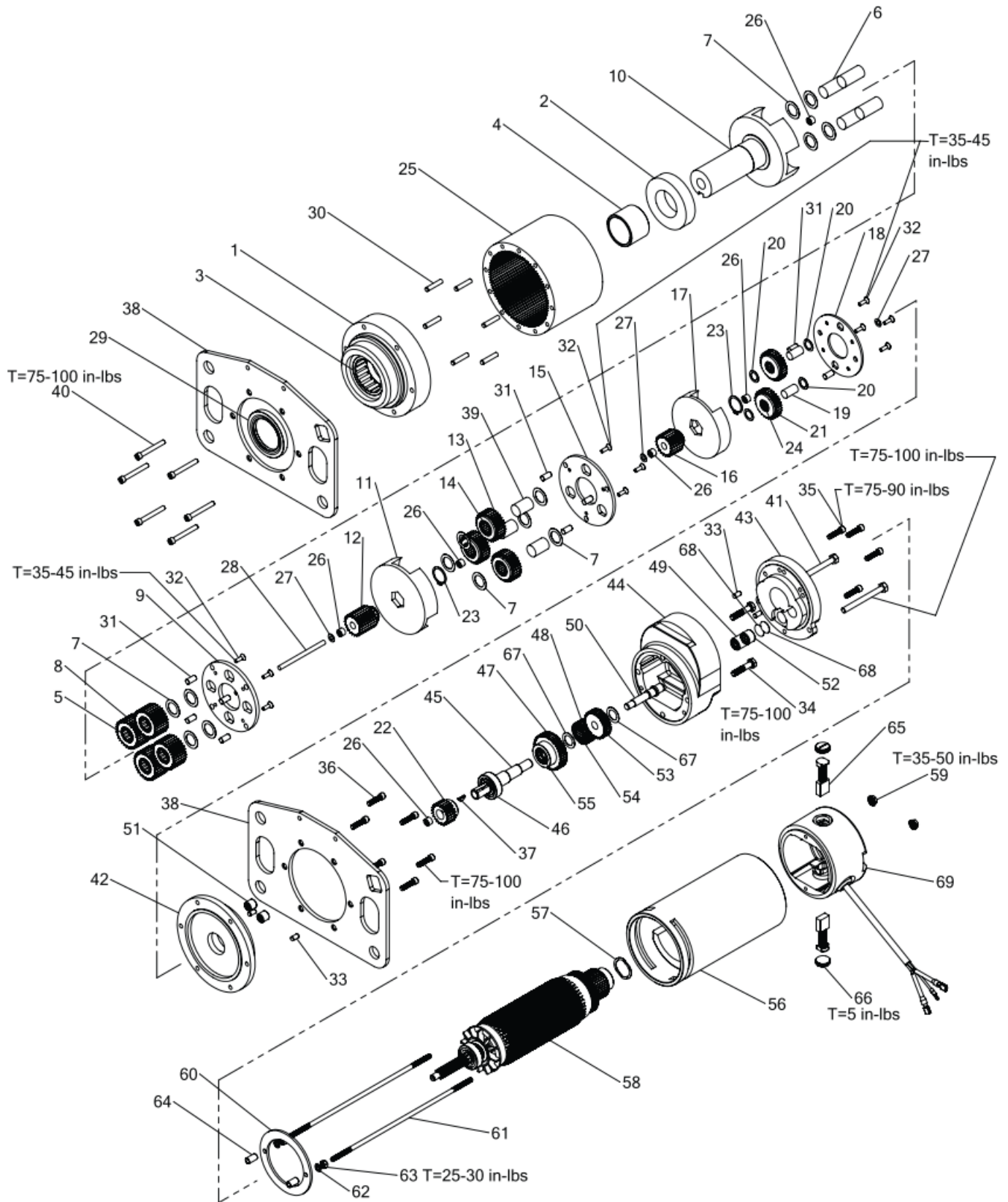
**Exploded View – GX10 Tugger Cable Puller**



**Parts List – GX10 Tugger Cable Puller (cont'd)**

Key	Cat. No.	Description	Qty	Key	Cat. No.	Description	Qty
1		Housing, Enclosure .....	1	43		Screw, Button Head Cap 1/4-20x.75 ..	2
2		Cover, Enclosure .....	1	44	00741	Bar Weldment, Tie (Long) [Kit Qty: 1] .....	1
3		Backplate, PCB Enclosure .....	1	45	00500	Gearmotor [Kit Qty: 1] .....	1
4		PCB, Motor .....	1	46	00519	Fan, PCBA [Kit Qty: 1] .....	2
5		PCB, Power Control .....	1	<b>Kits</b>			
6		Standoff, Female, #6-32 .....	14		00484	Hardware Kit [includes 6-8, 10-12, 20, 21, 27, 29, 30, 43]	
7		Screw, Button Head, #6-32x1 .....	7		00515	PCBA Board Kit [includes 4, 5]	
8		Nut, Nyloc, #6-32 .....	11		00516	Wire Kit [includes 24-26]	
9		Module, Power Cord .....	1		00494	Decal Kit [includes 15, 17-19]	
10		Grip, Cord .....	1		00496	Housing Kit [includes 1-3]	
11		Screw, Phillips Head, #10-16x.25 .....	13		00497	Switch Kit [includes 9, 28]	
12		Nut, Clip On, 1/4-20 .....	2		06188	Pull Pin Kit [includes 34, 36, 37]	
13	39896	Strap, Motor Mount [Kit Qty: 1] .....	1	<b>Not Shown</b>			
14	00513	Overlay, Force Display [Kit Qty: 1] .....	1		G-294	Footswitch	
15		Decal, High Speed Warning .....	1		06048G	Power Cord	
16		Decal, Identification .....	1	*Quantities listed above correspond to the quantities in the machine assembly, not the quantities in the kits			
17		Decal, Read IM .....	1				
18		Decal, Greenlee Logo .....	1				
19		Decal, Puller Warning .....	1				
20		Screw, Phillips Pan Hd, #6-32x3/8 .....	4				
21		Washer, Lock, .146 ID .....	4				
22	00514	Duct, Fan [Kit Qty: 2] .....	2				
23	00495	Wire Unit, Monojack [Kit Qty: 1] .....	1				
24		Wire Unit, PFC/MCB .....	1				
25		Wire Unit, Ferrite .....	1				
26		Wire Unit, PFC-Breaker .....	1				
27		Baffle, Air .....	1				
28		Circuit Breaker, 25A .....	1				
29		Mount, Cable Tie .....	1				
30		Tie, Cable .....	2				
31	35311	Sheave, RT Angle (1.06x.627) [Kit Qty: 1] .....	1				
32	00744	Weldment, Capstan [Kit Qty: 1] .....	1				
33	00751	Ramp, Rope [Kit Qty: 1] .....	1				
34	50700	Rollpin (.187x1.50) [Kit Qty: 1] .....	3				
35	54852G	Pin, Hitch-Long [Kit Qty: 1] .....	1				
36		Pin, Puller .....	2				
37	2725AA	Pin, Hitch (.18) [Kit Qty: 10] .....	2				
38	53921	Screw, Shoulder, .63x1.75x1/2-13 [Kit Qty: 1] .....	1				
39	52794	Nut, Hex, 1/2-13 [Kit Qty: 1] .....	1				
40	54851	Key, Square, 3/8x1.88 [Kit Qty: 1] .....	1				
41	54850	Washer, Flat (.78 X 2.00 X .25) [Kit Qty: 1] .....	2				
42	54848	Screw, Cap-Hex (3/4-16 X 1.50) [Kit Qty: 1] .....	1				

**Exploded View – GX10 Tugger Gearmotor**



**Parts List – GX10 Tugger Gearmotor**

Key	Cat. No.	Description	Qty
1		Housing, Bearing .....	1
2		Bearing, Ball .....	1
3		Bearing, Needle Roller .....	1
4		Race, Inner Needle Roller Bearing .....	1
5		Bearing, Needle Roller .....	8
6		Shaft, #3 Reduction .....	4
7		Washer, .75" ID Thrust .....	14
8		Planet, 3rd Reduction .....	4
9		Plate, 3rd Reduction .....	1
10		Hub, 3rd Reduction.....	1
11		Hub, 2nd Reduction.....	1
12		Sun Gear, 3rd Reduction .....	1
13		Planet Gear, 2nd Reduction.....	3
14		Bearing, Needle Roller .....	3
15		Plate, 2nd Reduction .....	1
16		Sun Gear, 2nd Reduction.....	1
17		Gear, 2nd Reduction Pinion.....	1
18		Sun Gear, 4th Reduction.....	1
19		Shaft, 1st Reduction .....	2
20		Washer, .51" ID Thrust .....	4
21		Gear, 2nd Reduction Driven.....	2
22		Shaft, Armature.....	1
23		Ring, Retaining.....	2
24		Bearing, Needle Roller .....	2
25	00502	Gear, Ring [Kit Qty: 1] .....	1
26		Bearing, Needle Roller .....	6
27		Washer, .26" ID Thrust .....	3
28		Shaft, Center.....	1
29	00510	Seal [Kit Qty: 1] .....	1
30		Pin, Dowel (1/4).....	6
31		Pin, Dowel (Ø.312x.625) .....	9
32		Screw, Flat Head Cap (10-32x.62).....	11
33		Pin, Dowel (1/4x.50).....	4
34		Screw, Hex Head Cap (5/16-18x1.500).....	2
35		Screw, Cap-Skt Hd (1/4-20x1).....	4
36		Screw, Cap-Skt Hd (1/4-28x1).....	6
37		Key, Woodruff #404, 1/8"X1/2" .....	1
38	00462	Plate, Motor Mounting [Kit Qty: 1] .....	2
39		Shaft, 2nd Reduction .....	3
40		Screw, Cap-Skt Hd (1/4-28x2).....	6
41		Bolt, 5/16-18x3.25 Hx Hd .....	2
42		Plate, Planetary Input.....	1
43		Plate, Motor Mount .....	1
44	00508	Housing, Intermediate [Kit Qty: 1].....	1
45		Shaft, 1st Reduction .....	1
46		Bearing, Ball 203k.....	1
47		Gear, Low Driven .....	1
48		Gear, High Driven.....	1

Key	Cat. No.	Description	Qty
49		Bearing, Needle Roller Clutch.....	1
50		Shaft, Idler.....	1
51		Bearing, Armature Support.....	2
52		Bearing, Needle Roller .....	1
53		Gear, Idler.....	1
54		Bearing, Needle Roller Clutch.....	1
55		Bearing, Needle Roller Clutch.....	1
56	00467	Assembly, Motor Frame/Magnet [Kit Qty: 1] .....	1
57		Spring, Wave.....	1
58		Armature .....	1
59	00498	Nut, Flange, 1/4-20 [Kit Qty: 2] .....	2
60		Fan Baffle Plate.....	1
61		Stud, 1/4-20 Motor .....	2
62		Washer, Lock 1/4 .....	2
63		Nut, Hex, 1/4-20 .....	2
64		Standoff .....	2
65		Brush.....	2
66		Cap, Brush.....	2
67		Washer, .645" ID Thrust .....	2
68		Washer, .74" OD Thrust .....	2
69	00518	Comm. Endbell Assembly [Kit Qty: 1] .....	1

**Kits**

00452	Bearing Housing/Needle Bearing [includes 1, 3, 29]
00453	Output Hub 3rd Reduction Kit [includes 2, 4-10, 26, 31, 32]
00454	2nd Reduction Hub Kit [includes 7, 11-15, 23, 26, 31, 32, 39]
00455	1st Reduction Hub Kit [includes 16-21, 23, 24, 26, 31, 32]
00461	Brush Kit [includes 65, 66]
00463	Center Shaft Kit [includes 27, 28]
00499	Reversing Gear Kit [includes 50,53]
00517	Armature Kit [includes 57, 58]
00503	2-Speed Gear Kit [includes 22, 26,37, 45-48, 54, 55, 67]
00505	Motor Mount Plate/Bearing Kit [includes 43, 49, 52, 68]
00506	Input Plate/Bearing Kit [includes 42, 51]
00509	Motor Hardware Baffle Kit [includes 60-64]
00511	Planetary Gearbox Hardware [includes 30, 33, 36, 40]
00512	2-Speed Gearbox Hardware Kit [includes 33-35, 41]

\*Quantities listed above correspond to the quantities in the machine assembly, not the quantities in the kits