

BendWorks®

SMARTER SOFTWARE DESIGNED FOR YOU.

BIM technology alone can't serve the unique needs of electrical contractors in the field. That's why Greenlee created BendWorks® software—putting a century's worth of electrical know-how in one program.

UP TO
40%
Improved Fabrication
Productivity

UP TO
35%
Reduction in Scrap

UP TO
80%
Less Rework

ORDERING INFORMATION

ITEM NO.	DESCRIPTION	# OF LICENSE	DURATION	PRICE
BENDWORKS 1L MO	1 License: 1-month auto renewal	1	1 month	\$159.99/Mo
BENDWORKS 1L YR	1 License: 12-month auto renewal	1	12 months	\$1,919.88/Yr \$1,600/Yr
BENDWORKS 5L MO	5 Licenses: 1-month auto renewal	5	1 month	\$799.95/Mo \$549.99/Mo
BENDWORKS 5L YR	5 Licenses: 12-month auto renewal	5	12 months	\$9,599.40/Yr \$6,050.00/Yr

SUPPORTED CONDUIT SIZES AND TYPES

BendWorks® software supports any type and size of conduit that is supported by the following Greenlee benders:

555, 555C, 555CX, 555DX, 853, 854, 855, 854DX, 855GX, 881, 882, 1055 AutoBend 3D

SUPPORT

Help documents can be found on:

- BendWorks® software page at the Autodesk® App Store
- The help section of BendWorks® software
- The BendWorks® software page at: greenlee.com/products/BendWorks

How-to videos explaining each function of the software can be found on the Greenlee Youtube channel at:

youtube.com/GreenleeDEMO

Email support:
CSBendWorks@greenlee.textron.com

Phone support: 1-800-435-0786

PURCHASING

Stand-alone licenses are available for 2014, 2015, 2016, and 2017 versions of Autodesk® Revit® and Revit® MEP

- Download the software via the 30-day free trial on the Autodesk® App Store
- Purchase license from: greenlee.com/products/BendWorks

No additional purchase necessary when upgrading versions of Autodesk® Revit®



www.greenlee.com MA6414 REV1 09/16
4455 Boeing Drive • Rockford, IL 61109-2988 • USA • 815-397-7070
©2016 Greenlee Textron Inc. • An ISO 9001 Company • Printed in USA
Greenlee Textron Inc. a subsidiary of Textron Inc.

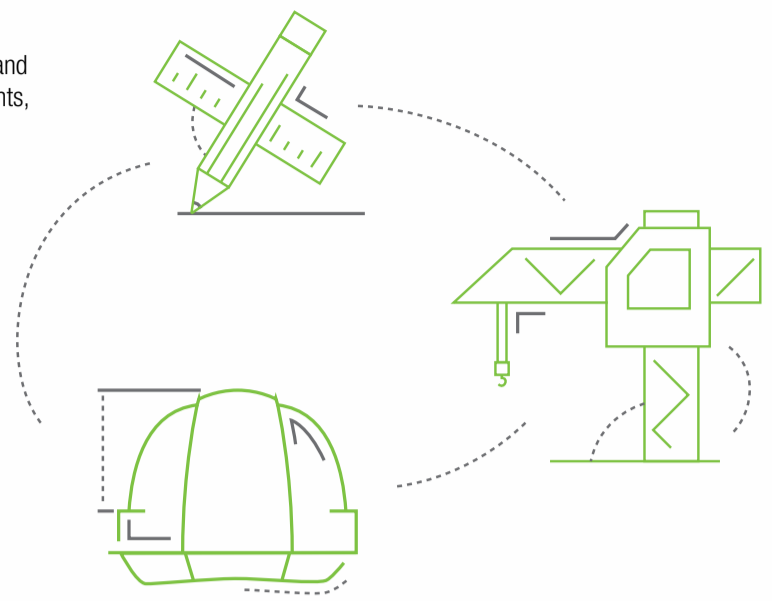


NEW BendWorks® Software for Conduit Optimization

BendWorks® software is an Autodesk® Revit® and Revit® MEP add-in to facilitate design, split optimization, and fabrication of electrical conduit runs. It automates conduit run segmentation into fabrication-ready components, outputting files to enable accurate conduit bending with Greenlee® benders.

BendWorks® software makes BIM better

Building information modeling (BIM), is a digital modeling process that enables owners, contractors, engineers, architects, and foremen to efficiently communicate and understand valuable project information. BendWorks® software enables a **faster, safer, easier**® BIM process for the electrical contractor.



BENEFITS INCLUDE:

Error Checking

Verifies design against conduit bending rules and the Greenlee bender-specific parameters including:

- Minimum bend radii
- Back-to-back minimum distance between bends
- Tail-end minimum distance
- Auto-ranging of conduit diameters by bender
- Maximum 360° of bends per run
- Color code split errors for easy identification

Waste Reduction

Reduces the conduit bone pile and workflow inefficiencies

Material Optimization

- Optimizes conduit runs for the fewest cuts and segments
- "Align couplings" automatically lines up couplings in parallel runs
- Added minimum conduit length information

Bill of Material Accuracy

- Provides output files with required conduit lengths, removing guesswork when buying material
- Precisely specify gaps

Quality Control and Assurance

- Automatically retains run information during changes
- Conduit segments are uniquely identified for traceability on the jobsite

Automated Calculations for Bending Operator

Greenlee bender-specific output files provide bending instructions that reduce operator errors

Fully Integrated with Autodesk® Revit® and Revit® MEP

Supports collaboration between Autodesk® Revit® and Revit® MEP

GREENLEE ELECTRIC AND HYDRAULIC BENDERS



Entry Level

- Bending marks and angles provided in text file
- Customized conduit run design for each bender type

Bend mark location	✓
Bend angle per location	✓
Spring back preset	
CSV file upload	
Eliminate marking	
Eliminate handling	
Printed label	

GREENLEE 855GX



Professional Level

- Upload bending information directly to the bender
- Eliminate separate bending calculations
- Step by step bending instruction
- Error checking at bender

Bend mark location	✓
Bend angle per location	✓
Spring back preset	✓
CSV file upload	✓
Eliminate marking	
Eliminate handling	
Printed label	

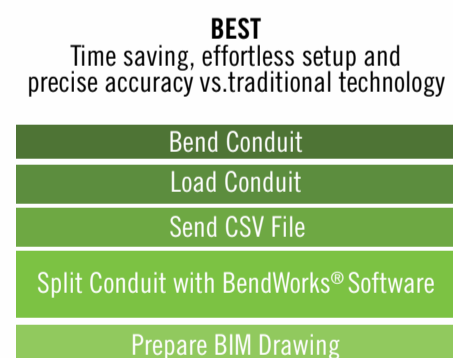
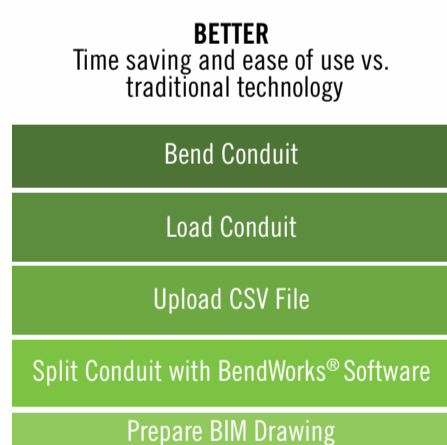
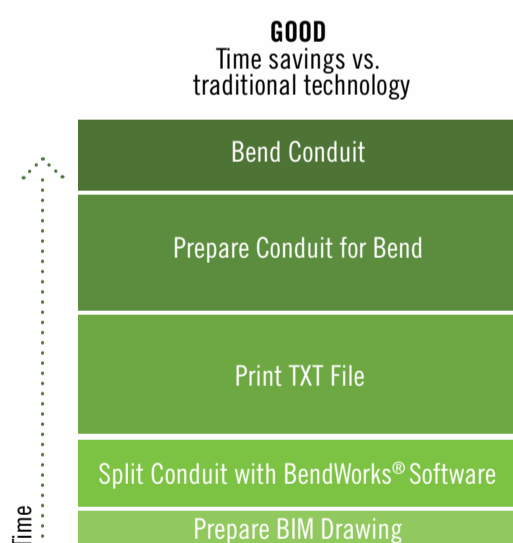
GREENLEE AUTOBEND 3D



Master Level

- Send bending information directly to the bender
- Printed labels to identify each conduit stick
- Virtually eliminates scrap and rework
- 3X faster bending than the traditional process

Bend mark location	✓
Bend angle per location	✓
Spring back preset	✓
CSV file upload	✓
Eliminate marking	✓
Fully automated bending	✓
Printed label	✓



See back page for compatibilities.

Autodesk® and Revit® are registered trademarks or trademarks of Autodesk Inc., in the USA and other Countries.



BendWorks® FREE 30-DAY TRIAL

Download your free trial at the Autodesk® App Store
apps.exchange.autodesk.com

For more information, view BendWorks® videos at:
BendingRevolution.com