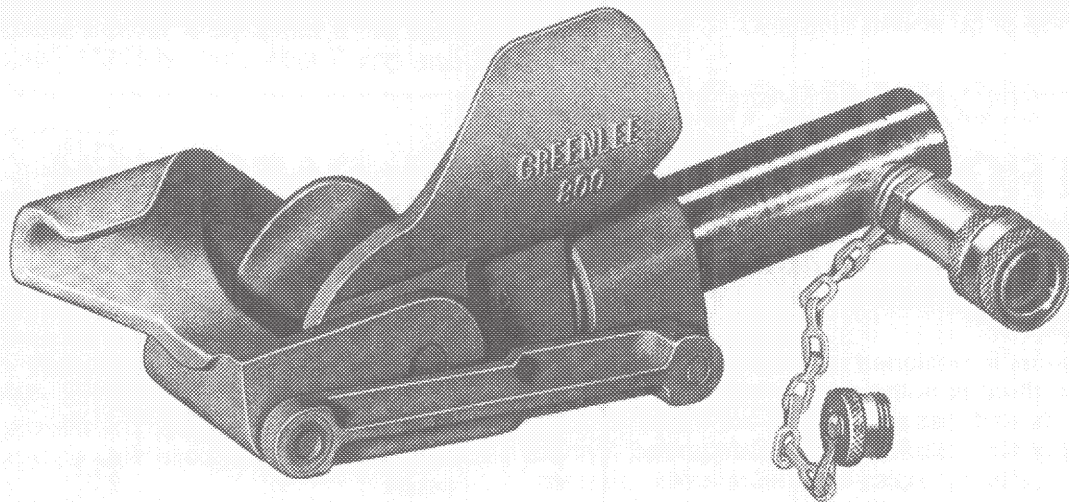


OPERATING SAFETY AND SERVICING INSTRUCTIONS



800 HYDRAULIC CABLE BENDER

350 MCM through 1000 MCM
(253mm² thru 507mm²)



Read and understand this material before operating or servicing this bender. Failure to understand how to safely operate the bender could result in an accident causing serious injury or death. This tool should only be operated by qualified personnel.

For Additional Copies of This Instruction Manual, At No Cost, Call or Write:



Greenlee Tools, Inc.
4455 Boeing Drive, Rockford, IL 61109 USA
800/435-0786, in Illinois call 815/397-7070
Telex: 4330029 GTCRKD, Fax: 815/435-2932
Service: 800/435-2932, Canada: 800/233-5924



TABLE OF CONTENTS

Introduction	2	Specifications.....	3
Purpose of this Manual	2	Operation.....	3
Safety Alert Symbol.....	2	Maintenance.....	3
General Instructions	3	Repair	3
		Exploded View/Parts List	4

I. INTRODUCTION

The Greenlee® 800 Hydraulic Cable Bender is a lightweight, portable tool for on-the-job bending of standard copper and aluminum cable from 350 MCM to 1000 MCM.

- This Manual is designed to make your job easier. However, there is nothing more important than the safety aids and instructions that are found throughout this document. The Safety Alert Symbol is used to identify topics of primary safety concern wherever they appear.
- User experience provides the best feedback. We, at Greenlee, welcome your comments and suggestions.

I. PURPOSE OF THIS MANUAL

This instruction manual is intended to familiarize operators with safety and maintenance procedures of the Greenlee 800 Hydraulic Cable Bender.

This manual should be kept available to all operating and maintenance personnel.

III. SAFETY ALERT SYMBOL



The symbol above is used to call your attention to instructions concerning your personal safety. Watch for this symbol. It points out important safety precautions. It means "ATTENTION! Become alert! Your personal safety is involved!" Read the message that follows and be alert to the possibility of personal injury or death.

The use of any industrial tool may present hazards which can result in serious injury or death.

⚠ DANGER

Indicates a high probability that death, severe bodily injury or major property damage could result.

⚠ WARNING

Is serious but less inevitable. There is some probability that death, severe bodily injury or major property damage could result.

⚠ CAUTION

Is less serious but still demands attention. Indicates a hazard which may result in minor injury or property damage.

SAFETY INSTRUCTIONS



Contact with live power can cause serious injury or death.

⚠ CAUTION

Do not attempt to bend solid stock, such as Bus Bar, with this tool.

⚠ CAUTION

Use only hand or foot powered hydraulic pumps with this tool.

IV. GENERAL INSTRUCTIONS

- This tool may be used on cable sizes ranging from 350 MCM thru 1000 MCM.
- The 800 Cable Bender is designed to be used with the Greenlee® 1725 Hydraulic Foot Pump and 767 Hand Pump.

⚠ WARNING

Protect the hydraulic hose and fittings from damage and inspect before each use. Check tool thoroughly before using. Replace any missing or damaged parts with genuine Greenlee replacement parts. The hydraulic fluid in this system can be at pressures of up to 6500 pounds per square inch. Make sure all connections are correct and proper. Inspect hose for cuts or other damage before using.

⚠ WARNING

Use Greenlee Hydraulic Oil only. Do not mix or substitute other fluids, such as transmission fluid, brake fluid or synthetic oils. The use of such fluid may damage the oil seals and will void the warranty.

Keep tool free of grit and dirt.

⚠ WARNING

When bending in enclosures make sure the power is off and cannot be energized by someone else while you are bending cable.

Be sure that the bender will not encounter obstructions during the bending operation.

- The Greenlee 800 Cable Bender is small enough to work inside an enclosure or bends may be performed beforehand.
- The cable bender may be used in any position that may be required to make the bend.
- Bends 0° to 90° in a single shot. Overbend the cable to compensate for cable spring back.
- Bender will not damage cable insulation.
- Make the bend farthest from the end of the cable first, then all remaining bends working toward the end.
- Do not make a bend between the two other bends.
- The protective cap should be installed on the bender's hydraulic quick coupler when the hose is not connected to prevent foreign matter from entering the hydraulic system.

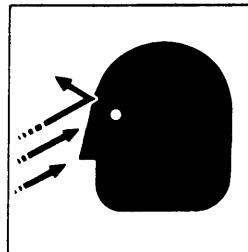
V. SPECIFICATIONS

Capacity: 600 volt conductor, copper or aluminum 350MCM thru 1000MCM

Hydraulic Pressure: 6500 p.s.i. maximum pressure

Bend: One shot bends up to 90°

VI. OPERATION



⚠ WARNING

Wear eye protection.

To operate the Greenlee® 800 Cable Bender, slip the cable in the forming shoes of the tool at the point on the cable to be bent. The bender should be connected to the 1725 Greenlee Foot Pump or 767 Hand Pump.

Before applying pressure, rotate the cylinder body until the hose and coupler are out of the way. Bend the cable to the desired bend by operating the pump. When the bend is completed, release the pump pressure to allow ram to retract, then remove cable from the bender. You are now ready to make the next bend.

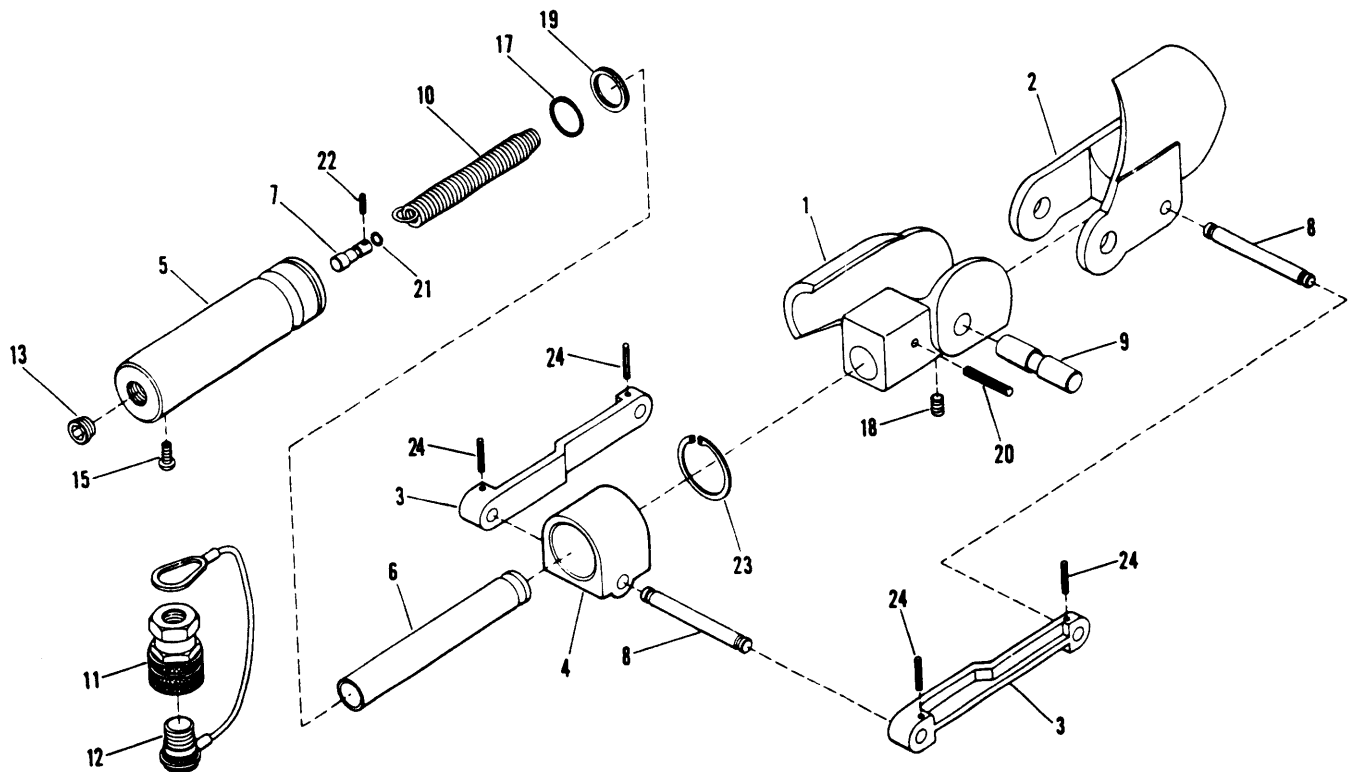
VII. MAINTENANCE

Under normal use the Greenlee 800 Cable Bender requires little maintenance. When the tool is not being used it should be stored in its case.

VIII. REPAIR

Repairs to this tool should be performed only by qualified hydraulic repair personnel.

All tools under warranty that require repairs must be sent to Greenlee or an authorized Greenlee Service Station. A list of Authorized Service Stations is included with your cable bender. The same list is included in your Greenlee catalog.



PARTS LIST

NO. 800 HYDRAULIC CABLE BENDER

 Order By This
Number Only

 When Ordering Parts Give
Serial Number of Unit

KEY	CONTROL NO.	DESCRIPTION	QTY.
1	502 3909.0	Drive Shoe	1
2	502 3911.2	Rotating Shoe	1
3	502 3913.9	Link	2
4	502 3915.5 502 9100.9	Cylinder Pivot Block Ram Unit (Includes Key Nos. 5, 6, 7, 10 thru 17, 19, 21 and 22)	1
5	502 3916.3	Cylinder	1
6	502 3917.1	Ram	1
7	502 3919.8	Spring Retaining Pin	1
8	502 3920.1	Link Pin	2
9	502 3922.8	Pivot Pin	1
10	502 3923.6	Extension Spring	1
11	905 4167.7	Coupler	1
12	905 4168.5	Protective Plug	1
13	905 0316.3	Pipe Plug	1
15	905 3261.9	Screw, #10-32 UNF x 1/2" Binding Head Mach.	1
17	905 0775.4	O-Ring, 3/4" x 15/16" x 3/32"	1
18	905 1001.1	Set Screw, 14-20 UNC x 3/8" Skt. Flat Point	1
19	905 1055.0	Back-Up Ring, 3/4" x 15/16" x .089/.087 Sprial Teflon	1
20	905 1491.2	Rollpin	1
21	905 1583.8	O-Ring, 1/8" x 1/4" x 1/16"	1
22	905 2513.2	Rollpin	1
23	905 2514.0	Retaining Ring	1
24	905 0795.9 502 4531.7	Rollpin Packing Repair Kit (Not Shown. Includes Key Nos. 17, 19 and 21)	4 1