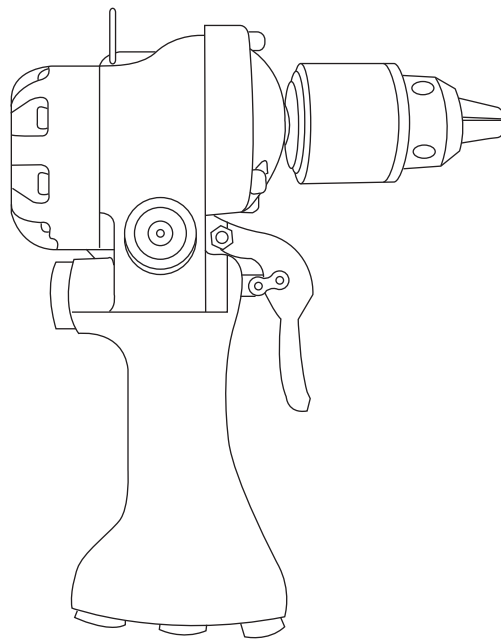


SPECIFICATIONS AND PARTS



H6400C **Reversible Drill**

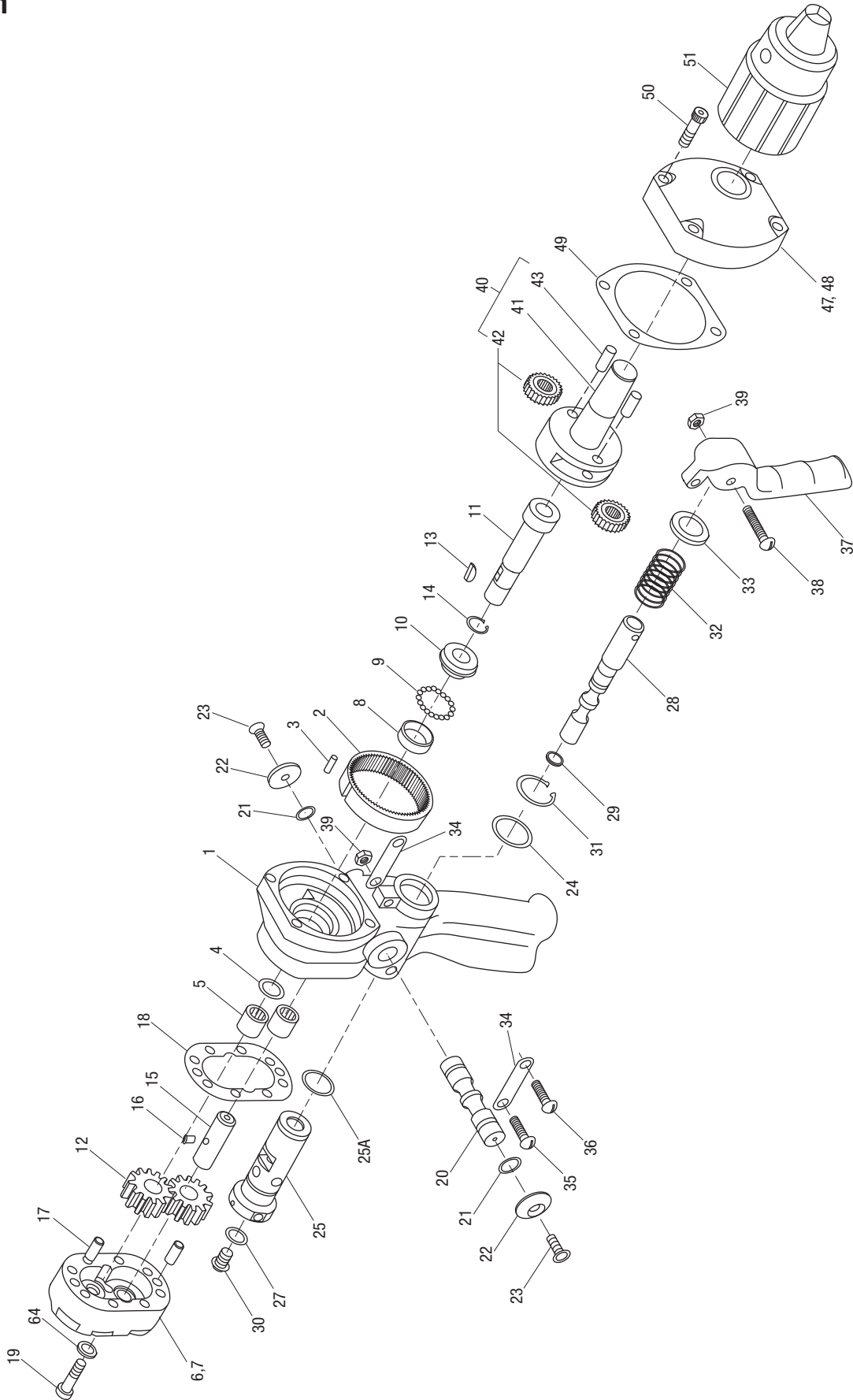
Serial Code FJL



Read and understand all of the instructions and safety information in this manual before operating or servicing this tool.

Register this product at www.greenlee.com

Illustration



Parts List

Key	UPC No. 78-3310-	Part No.	Description	Qty	Key	UPC No. 78-3310-	Part No.	Description	Qty
1	40584	50405841	Handle, Insulated (includes items 2–5).....	1	29*			O-ring, .312 x .437 x .062–70	1
2	40152	50401524	Gear	1	30			Screw, Cap, 5/16–18 x .375, Button Head Socket	1
3			Dowel Pin, .125 x .500	1	31	41298	50412981	Retaining Ring, .875, External	1
4*			O-ring, .500 x .687 x .093–80	1	32	41760	50417601	Spring, Compression, .635 x .845 x 1.25	1
5			Needle Bearing, .439 x .625 x .500.....	2	33	40462	50404622	Washer, Flat, .580 x .937 x .050, Stainless Steel	1
6	40412	50404124	Motor Cap (includes item 7).....	1	34	40463	50404632	Link.....	2
7			Needle Bearing, .439 x .625 x .500.....	2	35			Screw, Machine, #10–24 x .875, Round Head.....	1
8	40392	50403922	Outer Race	1	36			Screw, Machine, #10–24 x .750, Round Head.....	1
9	41723	50417232	Ball, .125 Diameter, Steel.....	18	37	40458	50404581	Trigger.....	1
10	40393	50403932	Inner Race	1	38			Screw, Machine, #10–24 x 1.25, Round Head.....	1
11	41222	50412224	Drive Shaft with Gear.....	1	39			Nut, Hex, #10–24 x .187, Lock.....	3
12	41630	50416302	Gear, 11-Tooth.....	2	40	40171	50401713	Spindle Assembly (includes 41–43).....	1
13	41592	50415921	Woodruff Key, #213	1	41			Frame, Planet Gear	1
14	41621	50416212	Retaining Ring, .437, External	1	42			Gear, 21-Tooth (with Needle Bearing).....	2
15	40168	50401682	Shaft, Idler	1	43			Dowel Pin, .250 x .625	2
16	41593	50415930	Drive Pin, .123 x .209 with Square Head.....	1	47	40414	50404143	Case Assembly, H6400C (includes item 48).....	1
17	41624	50416242	Dowel Pin, .250 x .625	2	48			Bearing, Bronze	1
18*			Gasket, 2.09 x 3.09 x .0015.....	1	49*			Gasket.....	1
19			Screw, Cap, 1/4–20 x 1.25, Socket Head	8	50			Screw, Cap, 1/4–20 x 1.00, Socket Head	4
20	40215	50402154	Spool, Directional.....	1	51	41453	50414532	Chuck.....	1
21*			O-ring, .437 x .562 x .062–68	2	55*			O-ring, .644 x .818 x .087–90	1
22	40228	50402283	Button	2	60*			O-ring, .468 x .624 x .078–90	1
23			Screw, Cap, #10–24 x .500, Flat Head	2	64			Washer, Hardened Flat, 6 mm	8
24*			O-ring, .875 x 1.000 x .062–70	1					
25	41188	50411881	Sleeve, Super Spool (for serial numbers after 99273)	1	*	40749	50407490	Packing Kit (includes all items marked with an asterisk)	
25A*			O-ring, .787 x .889 x .051–70 (for serial numbers after 99273)	1					
26*			O-ring, .750 x .875 x .062–90	1					
27*			O-ring, .437 x .625 x .093–90	1					
28	40640	50406402	Super Spool.....	1					

Purpose of this Manual

This manual is intended to familiarize all personnel with the specifications and parts for the following Greenlee Utility tool:

H6400C (42260) Serial Code FJL

Keep this manual available to all personnel.

Replacement manuals are available upon request at no charge at www.greenlee.com.

Other Publications

Tool Owners/Users

Operation Manual: Publication 99938596

SAE Standard J1273 (Hose and Hose Assemblies): Publication 99930323

Authorized Greenlee Utility Service Centers

Service Manual: Publication 99918013

Specifications

Reversible Drill

Application	Refer to "Accessories"
Type of Hydraulic System.....	Open-center or closed-center
Hydraulic Ports	
Pressure	9/16–18 SAE O-ring boss
Tank.....	3/4–16 SAE O-ring boss
Chuck Size (maximum shank diameter)	12 mm (1/2")
Revolutions per Minute @	
15.1 l/min (4 gpm)	866
22.7 l/min (6 gpm)	1300
30 l/min (8 gpm)	1733
Noise Levels	
Sound Power Level (unloaded)	85 LWA
Vibration Level	16.3 m/s ²
Mass/Weight.....	2.7 kg (6 lb)
Length	191 mm (7.5")
Height.....	229 mm (9")
Width.....	76.2 mm (3")

All specifications are nominal and may change as design improvements occur. Greenlee Textron Inc. shall not be liable for damages resulting from misapplication or misuse of its products.

KEEP THIS MANUAL

Specifications (cont'd)

Hydraulic Power Source

⚠ WARNING

Do not exceed the following hydraulic power source maximums:

- Hydraulic flow: 30.3 l/min (8 gpm)
- Pressure relief: 138 bar (2000 psi)
- Back pressure: 13.8 bar (200 psi)

Failure to observe this warning could result in severe injury or death.

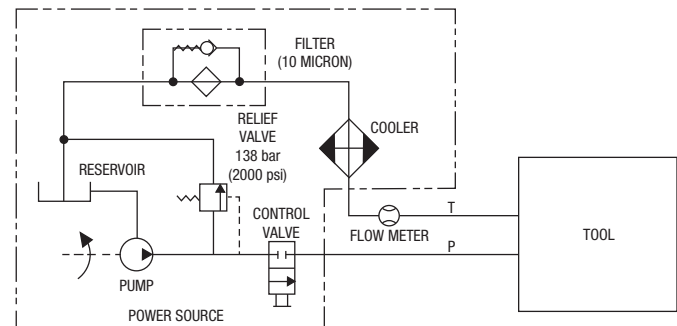
Type of Hydraulic System..... Open-center or closed-center
Flow

Minimum	15.1 l/min (4 gpm)
Recommended.....	22.7 l/min (6 gpm)
Maximum.....	30.3 l/min (8 gpm)
Filtration	10 micron (nominal)
Pressure Relief Setting.....	138 bar (2000 psi)
Back Pressure (maximum)*.....	13.8 bar (200 psi)

* 13.8 bar (200 psi) is the maximum agreed standard back pressure for the HTMA (Hydraulic Tool Manufacturers Association). Greenlee Utility tools will operate satisfactorily at this standard.

1. Maximum hydraulic fluid temperature must not exceed 60 °C (140 °F). A sufficient oil cooling capacity is needed to limit the hydraulic fluid temperature.
2. Hydraulic flow must not exceed recommended amount (see above). Install a flow meter in the return line to measure the rate of hydraulic flow before using the tool.
3. Pressure relief valve setting must not exceed 138 bar (2000 psi) at the tool's maximum flow. Locate the pressure relief valve in the supply circuit to limit excessive hydraulic pressure to the tool.

Hydraulic Schematic



Recommended Hydraulic Fluids

Use any non-detergent, petroleum-based hydraulic fluid which meets the following specifications or HTMA specifications.

S.U.S. @:

38 °C (100 °F).....	140 to 225
99 °C (210 °F).....	40 minimum
Flash Point.....	170 °C (340 °F) minimum
Pour Point.....	-34 °C (-30 °F) minimum