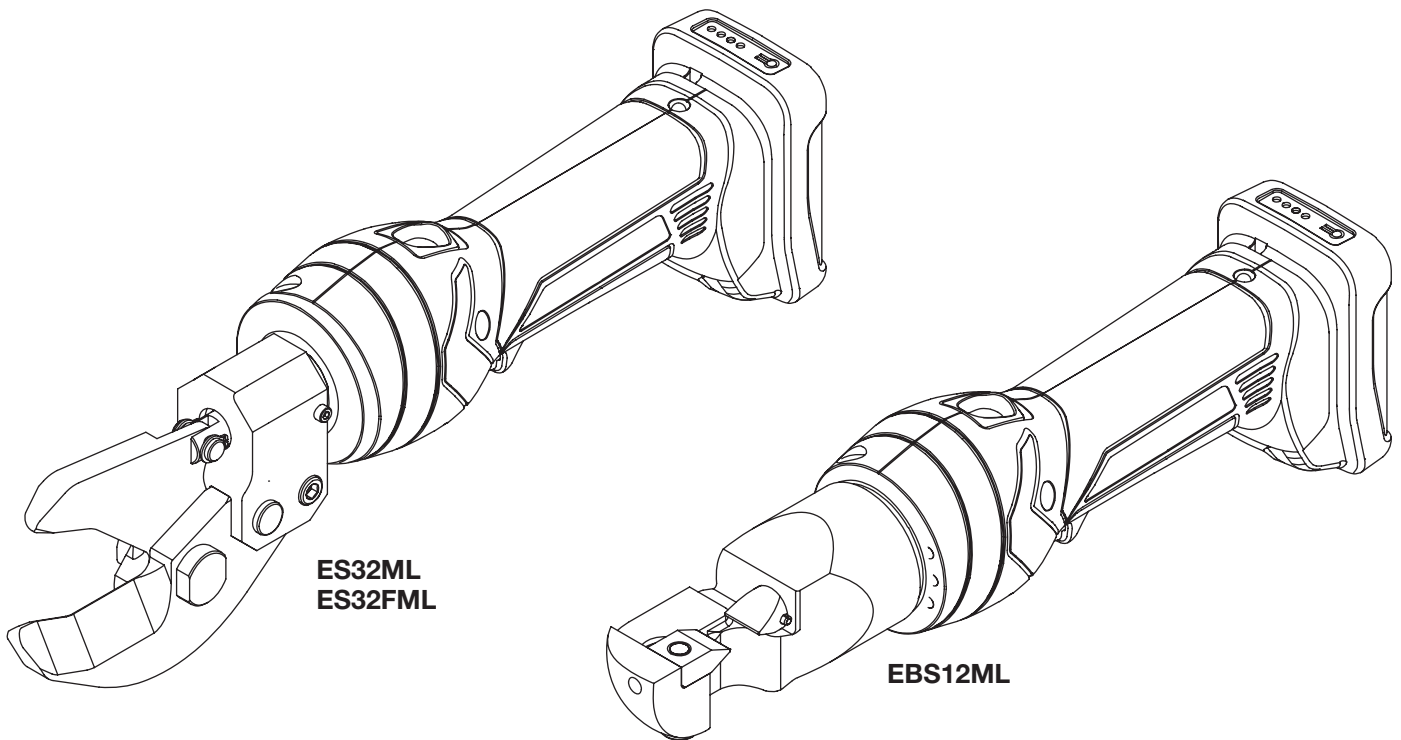


SERVICE MANUAL



Battery-powered Micro Cutters



Read and understand all of the instructions and safety information in this manual before operating or servicing this tool.

Register this product at www.greenlee.com

Table of Contents

Safety	2
Purpose of this Manual	2
Other Publications	2
Important Safety Information	3-4
Main Illustrations—All Tools	5-6
Main Parts List—All Tools.....	7
Head and Ram Illustration and Parts List	
ES32ML and ES32FML	8
EBS12ML.....	9

Safety

Safety is essential in the use and maintenance of Greenlee tools and equipment. This manual and any markings on the tool provide information for avoiding hazards and unsafe practices related to the use of this tool. Observe all of the safety information provided.

Purpose of this Manual

This manual is intended to familiarize authorized Greenlee service personnel with the service parts for the following Greenlee tools:

- ES32ML Battery-powered Cable Cutter
- ES32FML Battery-powered Cable Cutter
- EBS12ML Battery-powered Single Use Lock Cutter and Bolt Cutter

Keep this manual available to all personnel.

Replacement manuals are available upon request at no charge at www.greenlee.com.

Other Publications

Operation Manual: Publication 52078039



Do not discard this product or throw away!

For recycling information, go to www.greenlee.com.

All specifications are nominal and may change as design improvements occur. Greenlee Textron Inc. shall not be liable for damages resulting from misapplication or misuse of its products.

KEEP THIS MANUAL

IMPORTANT SAFETY INFORMATION



SAFETY ALERT SYMBOL

This symbol is used to call your attention to hazards or unsafe practices which could result in an injury or property damage. The signal word, defined below, indicates the severity of the hazard. The message after the signal word provides information for preventing or avoiding the hazard.

⚠️ DANGER

Immediate hazards which, if not avoided, **WILL** result in severe injury or death.

⚠️ WARNING

Hazards which, if not avoided, **COULD** result in severe injury or death.

⚠️ CAUTION

Hazards or unsafe practices which, if not avoided, **MAY** result in injury or property damage.



⚠️ WARNING

Skin injection hazard:

Do not use hands to check for oil leaks. Oil under pressure easily punctures skin. If injured, seek medical attention immediately to remove oil.

Failure to observe this warning could result in serious injury, gangrene, or death.



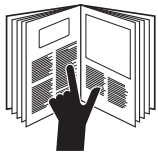
⚠️ WARNING

Do not use solvents or flammable liquids to clean the tool body. Solvents or flammable liquids could ignite and cause serious injury or property damage.

⚠️ WARNING

Do not dispose of batteries in a fire. They will vent fumes and may explode.

Failure to observe this warning could result in severe injury from harmful fumes or burns from flying debris.



⚠️ WARNING

Read and understand all of the instructions and safety information in this manual before operating or servicing this tool. Refer also to the Operation Manual, which is listed under "Other Publications."

Failure to observe this warning could result in severe injury or death.

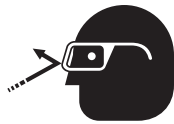


⚠️ WARNING

Cutting hazard:

- Remove battery before changing dies, adapters, or jaws.
- Keep hands away from the cutting head when cutting.

Failure to observe these warnings could result in severe injury or death.



⚠️ WARNING

Wear eye protection when operating or servicing this tool.

Failure to wear eye protection could result in serious eye injury from flying debris or hydraulic oil.

IMPORTANT SAFETY INFORMATION

⚠ WARNING

Inspect tool and blades before use. Replace any worn or damaged parts. A damaged or improperly assembled tool can break and strike nearby personnel.

Failure to observe this warning could result in severe injury or death.

⚠ CAUTION

- Do not twist work piece or tool during cutting operation. Blade failure could result.
- This tool is not designed for continuous use. After LED indicator (red) indicates tool has become too hot, allow the cutting tool to cool for 15 minutes.
- Do not secure this tool in a vise. This tool is designed for hand-held operation.
- This tool may be used in damp or wet environments; however, air-drying is recommended before use if the tool becomes soaked. Damage may result when the tool is operated prior to thorough drying when electrical components are soaked.
- Use this tool for the manufacturer's intended purpose only.

Failure to observe these precautions may result in injury or property damage.

⚠ CAUTION

Do not allow anything to contact the battery terminals.

- Do not immerse the batteries in liquid. Liquid may create a short circuit and damage the battery. If batteries are immersed, contact your service center for proper handling.
- Do not place the battery into a pocket, tool pouch, or tool box with conductive objects. Conductive objects may create a short circuit and damage the battery.
- Do not place a battery on moist ground or grass. Moisture may create a short circuit and damage the battery.

Failure to observe these precautions may result in injury or property damage.

⚠ CAUTION

- Do not store the battery at more than 122 °F (50 °C) or less than -4 °F (-20 °C). Damage to the battery can result.
- Do not use another manufacturer's charger. Other manufacturers' chargers may overcharge and damage the battery.
- Do not attempt to open the battery. It contains no user-serviceable parts.

Failure to observe these precautions may result in injury or property damage.

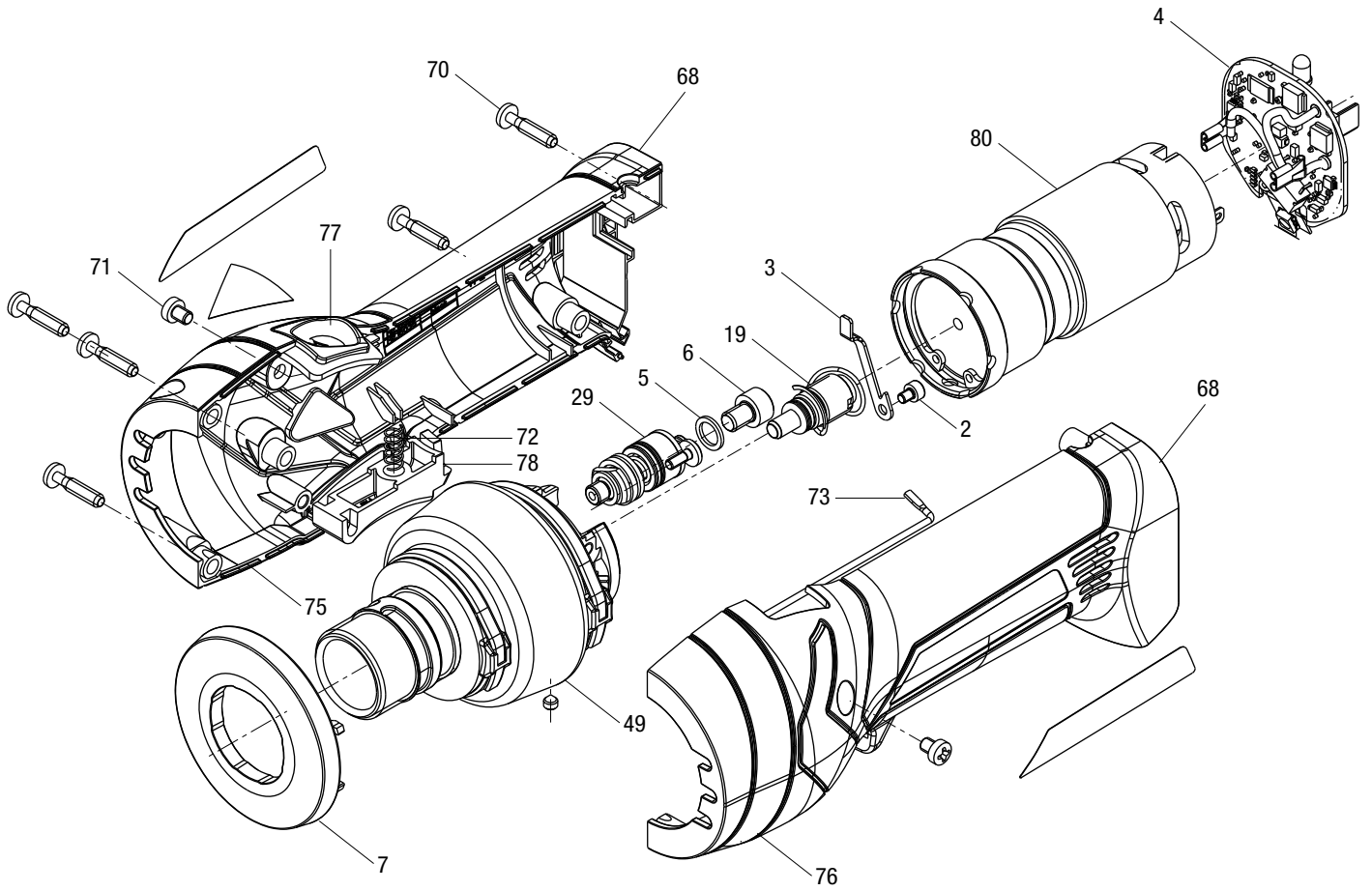
⚠ CAUTION

Do not perform any service or maintenance other than as described in this manual. Injury or damage to the tool may result.

Failure to observe this precaution may result in injury and property damage.

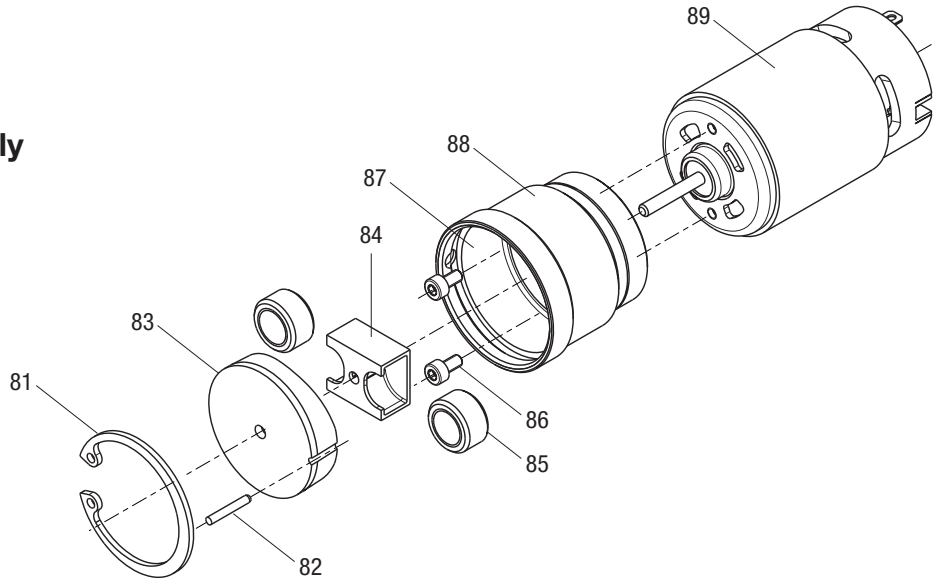
Note: Keep all decals clean and legible, and replace when necessary.

Main Illustrations—All Tools

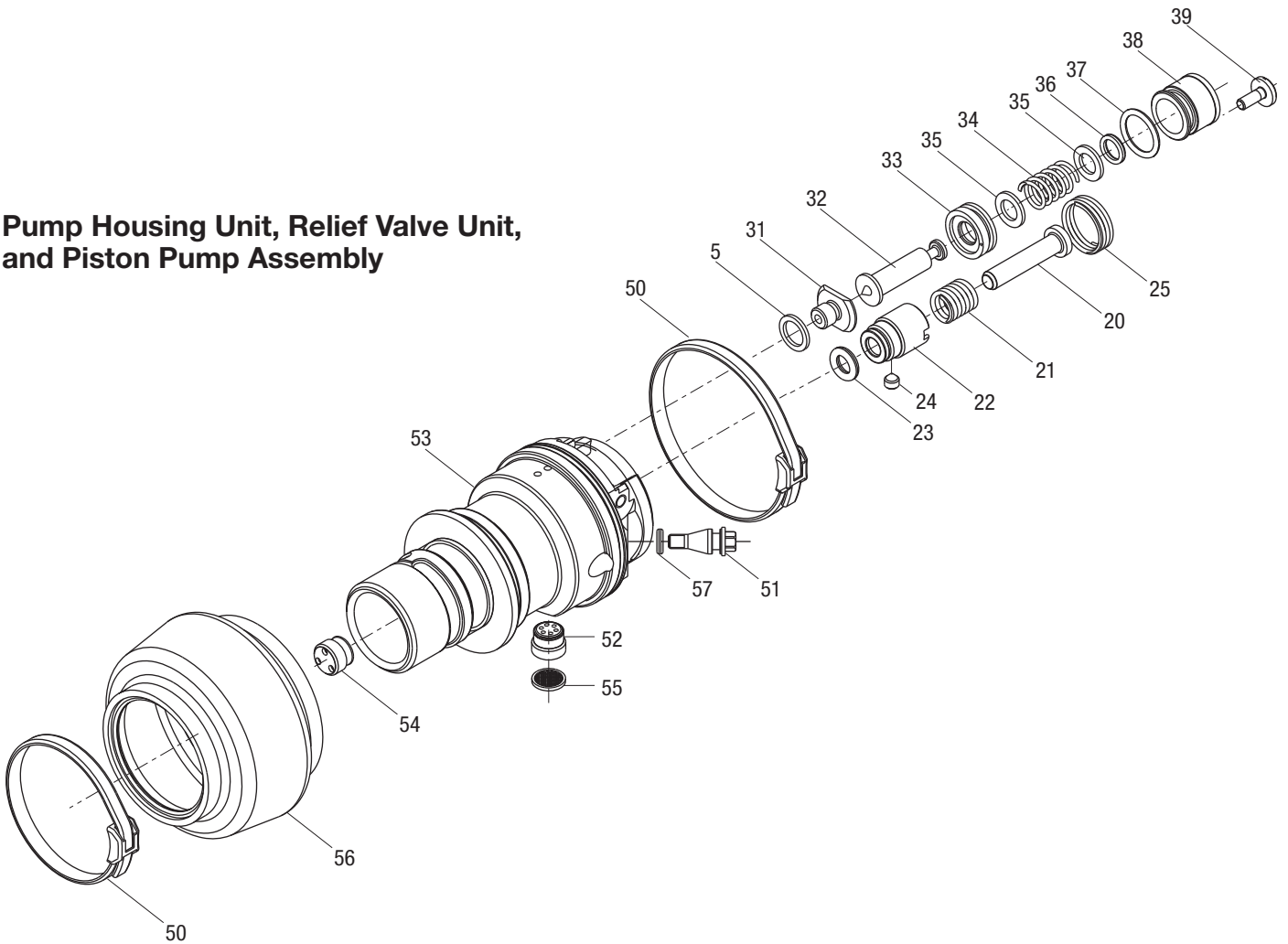


Main Illustrations—All Tools (cont'd)

Motor Assembly



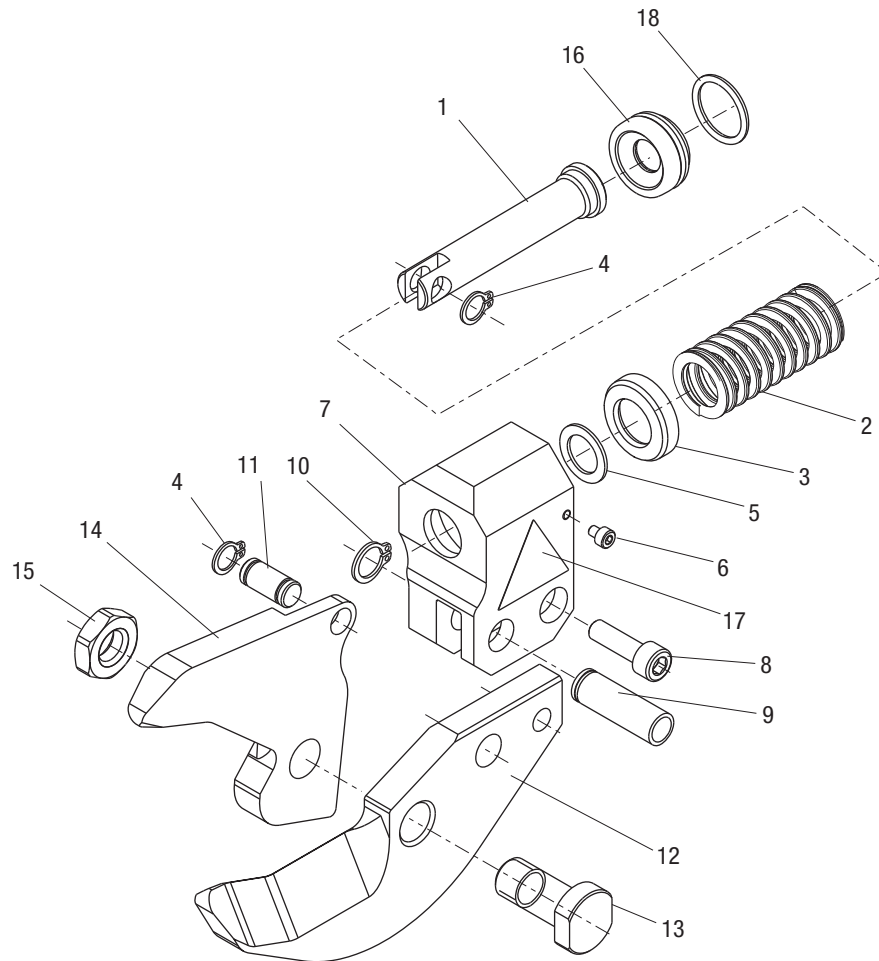
Pump Housing Unit, Relief Valve Unit, and Piston Pump Assembly



Main Parts List—All Tools

Key	Part No.	Description	Qty	Key	Part No.	Description	Qty
	52055860	Relief lever kit (includes 2, 3)		68	52079808	Housing unit (includes 70–78).....	1
2		Screw	1	70		Screw	5
3		Relief valve lever	1	71	50019767	Screw	2
4	52079810	Control board	1	72		Compression spring, DA5.5 x L14.0	1
5*		Seal	2	73		Trigger link	1
6	50121839	Screw	1	75		Housing half	1
7	52080240	Ring (ES32ML, ES32FML).....	1	76		Housing half	1
	52079807	Ring (EBS12ML).....	1	77		Relief valve button.....	1
19	50018990	Piston pump assembly (includes 20–25)	1	78		Trigger cover	1
20		Piston pump.....	1	80	52079809	Motor assembly (includes 81–89)	1
21		Spring.....	1	81		Retaining ring	1
22	50019309	Piston pump housing	1	82	50019589	Pin	1
23*		Piston seal.....	1	83		Motor cap.....	1
24		Screw	1	84		Disc housing.....	1
25		Spring.....	1	85		Disc	2
29	50018922	Relief valve unit (includes 31–39) (ES32ML, ES32FML)	1	86		Screw	2
	52054799	Relief valve unit (includes 31–39) (EBS12ML)	1	87		Gear lube, 1.5 g.....	1
31	52072070	Valve seat	1	88		Motor adapter	1
32		Needle valve.....	1	89		Electric motor.....	1
33		Plunger	1		52078034	Identification decal (ES32ML)	1
34		Spring.....	1		52078035	Identification decal (ES32FML)	1
35		Lock washer (ES32ML, ES32FML).....	2		52078037	Identification decal (EBS12ML).....	1
		Lock washer (EBS12ML).....	6		52078033	Micro Tool decal.....	1
36*		O-ring	1		52025832	Cut hazard decal	1
37*		O-ring	1		52078365	Carrying case	
38		Pressure relief.....	1	*	50047957	Seal kit (includes items marked with an asterisk, bushings not included)	
39		Screw	1		52068605	10.8V battery, 1.5 Ah li-ion (16.2 Wh)	
49	52048120	Pump housing unit (includes 50–57) (ES32ML, ES32FML)	1		52068603	10.8V charger, li-ion batteries, 110V	
	52054796	Pump housing unit (includes 50–57) (EBS12ML)	1		52068604	10.8V charger, li-ion batteries, 230V	
50	52055861	Clamp, 10 pack.....	1		52057878	Biodegradable hydraulic fluid	
50*		Clamp.....	2				
51		Screw	1				
52	50109162	Threaded bushing	1				
53		Pump block	1				
54	50109308	Threaded bushing	1				
55	50109316	Screen	1				
56	52049296	Reservoir	1				
57*		O-ring	1				

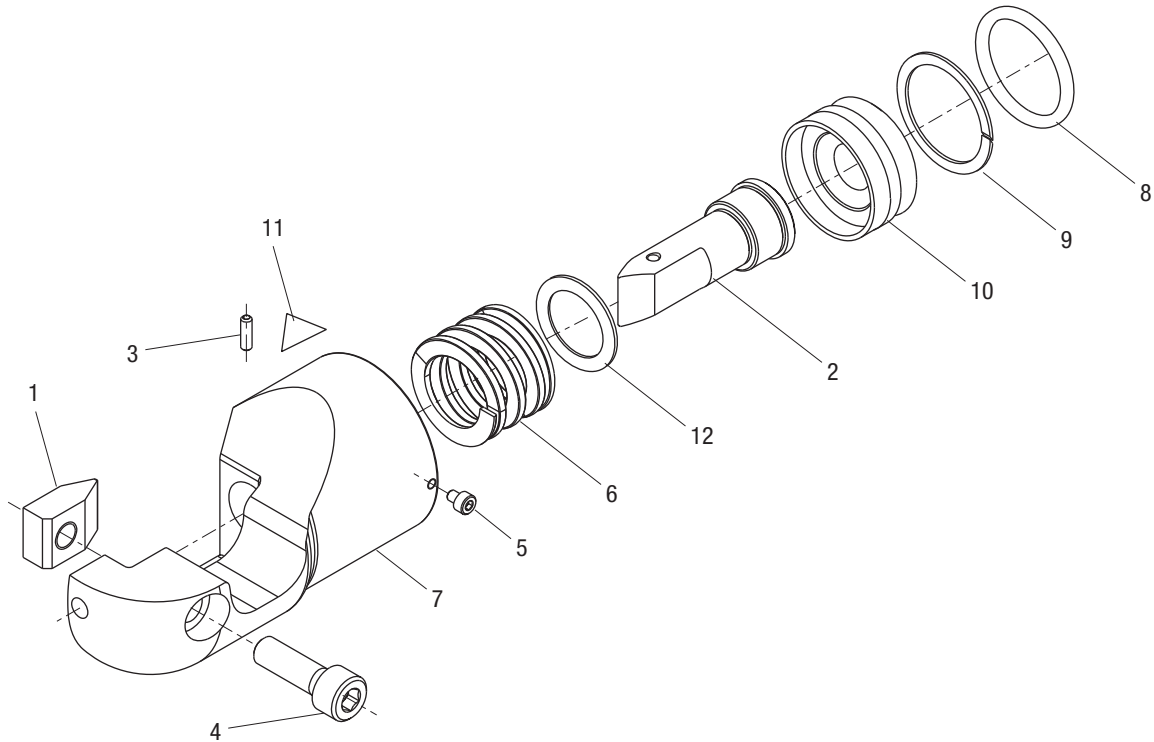
Head and Ram Illustration and Parts List—ES32ML and ES32FML



Key	Part No.	Description	Qty
	50121197	Head unit assembly, ES32ML (includes 1–15)	
	52056587	Head unit assembly, ES32FML (includes 1–15)	
	52055868	Ram kit (includes 1–3, 5)	
1		Piston	1
2		Coil spring	1
3		Steel washer.....	1
	52055870	Hardware kit (includes 4, 8–11, 13, 15)	
4		Retaining clip.....	2
5		Steel washer.....	1
6	50019295	Screw	1
7	50120913	Aluminum head	1
8		Screw	1

Key	Part No.	Description	Qty
9		Pivot	1
10		Retaining clip.....	1
11		Pivot	1
	52055869	Blade kit, ES32ML (includes 12–15)	
	52056589	Blade kit, ES32FML (includes 12–15)	
12		Fixed blade.....	1
13		Pivot bolt.....	1
14		Movable blade.....	1
15		Hex nut.....	1
16	50120050	Bushing with seal	1
17	52025832	Pinch hazard decal.....	1
18*		Seal bushing (included in 50047957)	1

Head and Ram Illustration and Parts List—EBS12ML



Key	Part No.	Description	Qty
	52033626	Head assembly (includes 1–7)	
	52033628	Cutter blade kit (includes 1–4).....	1
1		Fixed blade.....	1
2		Movable blade.....	1
3		Roll pin	1
4		Socket head cap screw.....	1
5	50019295	Hex head cap screw, m3x4.....	1
6	50019236	Compression spring.....	1
7		Cutter head	1

Key	Part No.	Description	Qty
8*		O-ring (included in 50047957).....	1
9*		Piston backup ring (included in 50047957).....	1
10	50019082	Bushing	1
11	52024564	Pinch hazard decal.....	1
12		Disc	1



4455 Boeing Drive • Rockford, IL 61109-2988 • USA • 815-397-7070
An ISO 9001 Company • Greenlee Textron Inc. is a subsidiary of Textron Inc.

www.greenlee.com

USA Tel: 800-435-0786
Fax: 800-451-2632

Canada Tel: 800-435-0786
Fax: 800-524-2853

International Tel: +1-815-397-7070
Fax: +1-815-397-9247