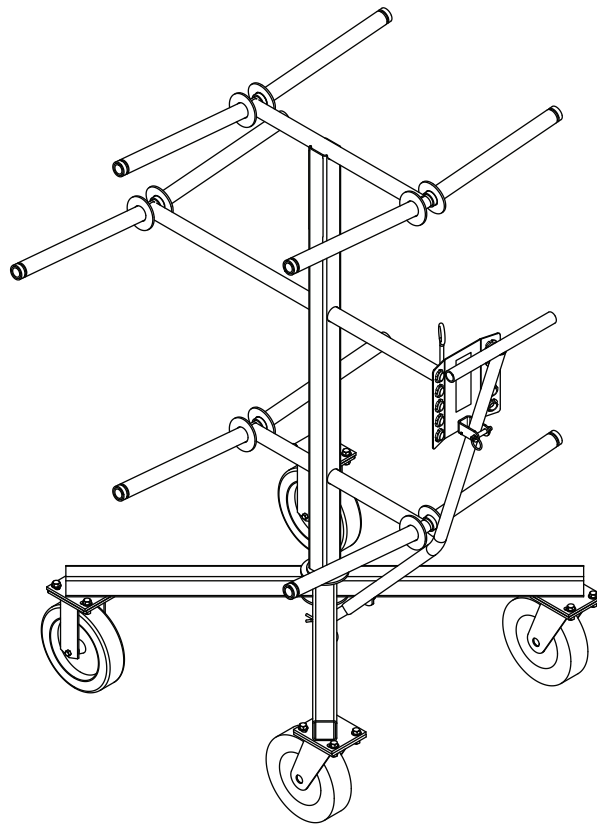


# INSTRUCTION MANUAL



## 910 Wire Dispenser



**Read and understand** all of the instructions and safety information in this manual before operating or servicing this tool.

Register this product at [www.greenlee.com](http://www.greenlee.com)

**Table of Contents**

Description .....	2
Safety .....	2
Purpose of this Manual .....	2
Important Safety Information .....	3
Parts List .....	4
Specifications .....	4
Operation .....	4

**Description**

The Greenlee 910 Wire Dispenser is intended for transporting and dispensing wire from wire spools. For more information, refer to “Specifications” on page 4.

**Safety**

Safety is essential in the use of Greenlee tools and equipment. This instruction manual and any markings on the tool provide information for avoiding hazards and unsafe practices related to the use of this tool. Observe all of the safety information provided.

**Purpose of this Manual**

This manual is intended to familiarize all personnel with the safe operation for the Greenlee tool:

910 Wire Dispenser

Keep this manual available to all personnel.

Replacement manuals are available upon request at no charge at [www.greenlee.com](http://www.greenlee.com).

All specifications are nominal and may change as design improvements occur. Greenlee Textron Inc. shall not be liable for damages resulting from misapplication or misuse of its products.

***KEEP THIS MANUAL***

## IMPORTANT SAFETY INFORMATION



### SAFETY ALERT SYMBOL

This symbol is used to call your attention to hazards or unsafe practices which could result in an injury or property damage. The signal word, defined below, indicates the severity of the hazard. The message after the signal word provides information for preventing or avoiding the hazard.

#### ⚠ **DANGER**

Immediate hazards which, if not avoided, **WILL** result in severe injury or death.

#### ⚠ **WARNING**

Hazards which, if not avoided, **COULD** result in severe injury or death.

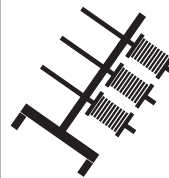
#### ⚠ **CAUTION**

Hazards or unsafe practices which, if not avoided, **MAY** result in injury or property damage.



#### ⚠ **CAUTION**

Keep hands and feet clear when loading and unloading wire spools. Failure to observe this precaution may result in injury or property damage.



#### ⚠ **CAUTION**

Load and unload sides equally. Load bottom spindles first, and unload top spindles first. An unbalanced or top-heavy load could cause wire dispenser to tip over, causing injury and property damage. Failure to observe this precaution may result in injury or property damage.

#### ⚠ **CAUTION**

- Make sure bystanders are clear of the work area when loading, unloading or dispensing wire. Nearby personnel can be injured if wire dispenser falls.
  - Do not use the wire dispenser for wire with damaged spools. Damaged spools may not turn freely and may pull over the dispenser.
  - Use only on a hard, flat, level surface.
  - Do not exceed the rated capacity of this tool.
- Failure to observe these precautions may result in injury or property damage.



#### ⚠ **CAUTION**

Read and understand all of the instructions and safety information in this manual before operating or servicing this tool.

Failure to observe this precaution may result in injury or property damage.

#### ⚠ **CAUTION**

Use this tool for manufacturer's use only. Use other than that which is described in this manual may result in injury or property damage.

*Note: Keep all decals clean and legible, and replace when necessary.*

