

**INSTRUCTION MANUAL  
MANUAL DE INSTRUCCIONES  
MANUEL D'INSTRUCTIONS**



**TG-1000**

**Infrared Thermometer**

**Termómetro infrarrojo**

**Thermomètre infrarouge**

CE

**Read and understand** all of the instructions and safety information in this manual before operating or servicing this tool.



**Lea y entienda** todas las instrucciones y la información sobre seguridad que aparecen en este manual, antes de manejar estas herramientas o darles mantenimiento.

**Lire attentivement et bien comprendre** toutes les instructions et les informations sur la sécurité de ce manuel avant d'utiliser ou de procéder à l'entretien de cet outil.

Register this product at [www.greenlee.com](http://www.greenlee.com) / Registre este producto en [www.greenlee.com](http://www.greenlee.com)  
Enregistrez votre produit en ligne, [www.greenlee.com](http://www.greenlee.com)

## Description

The Greenlee TG-1000 Infrared Thermometer is a hand-held surface temperature sensing device. The non-intrusive measuring capability of this unit is safer and quicker than other methods, and is well suited to checking the surface temperature of circuit breakers, motors, HVAC/R equipment, engines, etc.

This device measures surface temperature by gathering three forms of infrared energy — emitted, transmitted, and reflected — from an object and translating that energy into a temperature.

This temperature instrument includes the following features:

- Laser sighting. The laser indicates the approximate center of the measurement area.
- User-adjustable high and low temperature alarms.
- Automatic recording of maximum, minimum, difference, and average temperatures while making measurements.
- Lock mode. Allows long-term measurements without holding the trigger. The laser is turned off in Lock mode unless the trigger is held down.

## Safety

Safety is essential in the use and maintenance of Greenlee tools and equipment. This instruction manual and any markings on the tool provide information for avoiding hazards and unsafe practices related to the use of this tool. Observe all of the safety information provided.

## Purpose of this Manual

This instruction manual is intended to familiarize all personnel with the safe operation and maintenance procedures for the Greenlee TG-1000 Infrared Thermometer.

Keep this manual available to all personnel.

Replacement manuals are available upon request at no charge at [www.greenlee.com](http://www.greenlee.com).



**Do not discard this product or throw away!**

For recycling information, go to [www.greenlee.com](http://www.greenlee.com).

### Authorized Representative:

Gustav Klauke GmbH  
Auf dem Knapp 46  
42855 Remscheid  
Germany

All specifications are nominal and may change as design improvements occur. Greenlee Tools, Inc. shall not be liable for damages resulting from misapplication or misuse of its products.

***KEEP THIS MANUAL***

## Important Safety Information



### SAFETY ALERT SYMBOL

This symbol is used to call your attention to hazards or unsafe practices which could result in an injury or property damage. The signal word, defined below, indicates the severity of the hazard. The message after the signal word provides information for preventing or avoiding the hazard.

#### **DANGER**

Immediate hazards which, if not avoided, **WILL** result in severe injury or death.

#### **WARNING**

Hazards which, if not avoided, **COULD** result in severe injury or death.

#### **CAUTION**

Hazards or unsafe practices which, if not avoided, **MAY** result in injury or property damage.



#### **WARNING**

**Read and understand** this material before operating or servicing this equipment. Failure to understand how to safely operate this tool could result in an accident causing serious injury or death.

#### **WARNING**

Electric shock and fire hazard:

- Do not expose this unit to rain or moisture.
- Do not use the unit if it is wet or damaged.
- Use this unit for the manufacturer's intended purpose only, as described in this manual. Any other use can impair the protection provided by the unit.

Failure to observe these warnings could result in severe injury or death.

## Important Safety Information

### **WARNING**

Electric shock hazard:



- Do not open the case, except for the battery compartment.
- Before opening the case, release the trigger and shut off the unit.

Failure to observe these warnings could result in severe injury or death.

### **WARNING**

This unit is not intended for medical applications.

Failure to observe this warning could result in severe injury or death.

<h1 style="margin: 0;">CAUTION</h1>	<div style="border: 1px solid black; padding: 5px; width: fit-content; margin: 0 auto;"> <p style="margin: 0;">LASER RADIATION DO NOT STARE INTO BEAM CLASS 2 LASER PRODUCT</p> </div>
 <p style="margin: 0;">LASER RADIATION—DO NOT STARE INTO BEAM</p> <hr style="width: 50%; margin: 5px auto;"/> <p style="margin: 0;">Max. Output &lt;1 mW, Wavelength: 635-660 nm Complies with 21 CFR, Chapter 1, subchapter J</p>	<p style="margin: 0;">CLASS II LASER PRODUCT CAUTION—CLASS 2 LASER RADIATION WHEN OPEN</p> <div style="text-align: right; margin-top: 10px;">  </div>

### **CAUTION**



Laser hazard:

- Avoid laser exposure.
- Do not point laser directly at eye or at reflective objects.

Failure to observe these precautions may result in injury.

### **CAUTION**

Electric shock hazard:

- Do not attempt to repair this unit. It contains no user-serviceable parts.
- Do not expose the unit to extremes in temperature or high humidity. Refer to “Specifications.”

Failure to observe these precautions may result in injury and can damage the unit.

## Important Safety Information

### **⚠ CAUTION**

- Temperature readings will be inaccurate on highly reflective objects.
  - Temperature readings will be inaccurate on objects if emissivity is not adjusted properly. Follow masking and emissivity adjustment procedures.
  - Allow 30 minutes for the unit to adjust to large changes in ambient temperature; inaccurate readings can result.
  - Clean lens periodically; inaccurate readings can result. Refer to the “Maintenance” section.
- Failure to observe these precautions may result in injury and can damage the unit.

### **IMPORTANT**

- Using this unit near equipment that generates electromagnetic interference can result in unstable or inaccurate readings.
- Protect the unit against static electricity.

### **CE Certification**

This instrument conforms to the following standards:

- EN50081-1:1992, Electromagnetic Emissions
- EN50082-1:1992, Electromagnetic Susceptibility

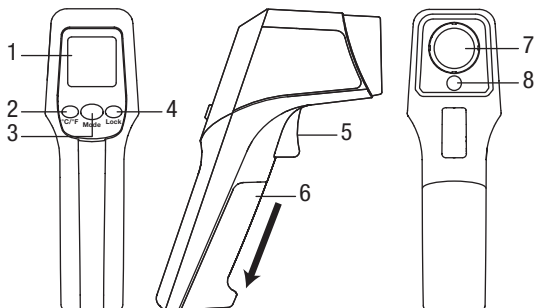
Readings may be affected if the unit is operated with a radio frequency electromagnetic field of approximately 3 volts per meter, but the performance of the instrument will not be permanently affected.

### **CFR 21 1040.10 and 1040.11**

Performance Standards for Light-Emitting Products

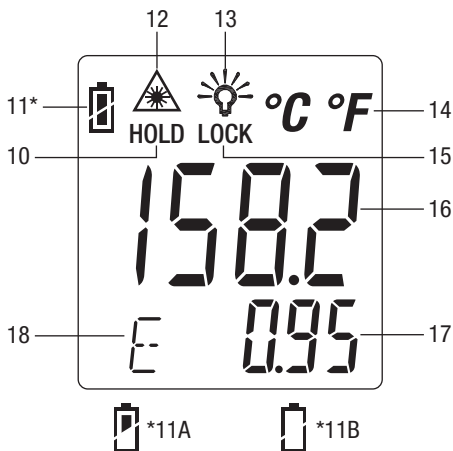
## Identification

1. Display
2. Decrease button and °C/°F selector
3. Mode selector
4. Increase button and Lock button
5. Trigger
6. Battery compartment door
7. Lens
8. Laser






## Display Icons

10. Hold mode indicator
11. Full battery indicator
  - 11A. Low battery indicator
  - 11B. Dead battery indicator
12. Laser ON indicator
13. Backlight ON indicator
14. Celsius or Fahrenheit indicator
15. Lock mode indicator
16. Temperature indicator
17. Mode value indicator
18. Mode indicator



## Symbols on the Unit

-  Warning—Read the instruction manual.
-  Recycle product in accordance with manufacturer's directions.
-  Laser radiation is emitted from this unit.

## Using the Features

### Basic Features

- To turn the laser on or off: Press and hold the trigger, and then momentarily press the °C/°F button.
- To turn the backlight on or off: Press and hold the trigger, and then momentarily press the **Lock** button.
- To change between Celsius and Fahrenheit: If the LCD is blank, press and release the trigger. Momentarily press the °C/°F button.
- To lock the trigger for continuous measurement: If the LCD is blank, press and release the trigger. Momentarily press the **Lock** button. Momentarily press the **Lock** button again to return to normal measurement. The unit will automatically exit Lock mode after 60 minutes.

### Advanced Features

Press the **Mode** button to access the advanced features. They appear in this order: Emissivity Display (E), Emissivity Setting (↓E↑), Maximum (MAX), Minimum (MIN), Difference (dIF), Average (AVG), High Alarm Limit (HAL), and Low Alarm Limit (LAL).

### Setting Alarm Points

After selecting the HAL or LAL mode, use the °C/°F or **Lock** button to set the alarm point. A tone will sound if the temperature is higher than or lower than the corresponding set point.

### Measurement Review

After the unit shuts off, press **Mode** to review the measurement:

- MAX — the highest recorded temperature among all of the readings.
- MIN — the lowest recorded temperature among all of the readings.
- dIF — the difference between the maximum and minimum readings.
- AVG — a weighted rolling average of all of the readings.

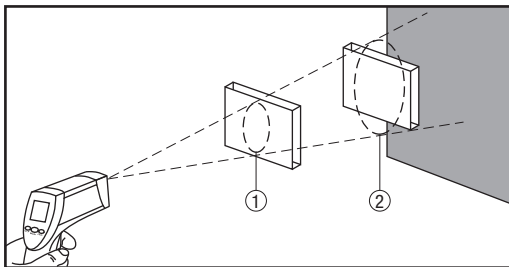
*Note: Values for MAX, MIN, dIF, and AVG are reset each time the trigger is pressed.*

*Note: The AVG feature acts as a filter to eliminate fluctuations from the temperature readings. It is not an arithmetic mean, but rather a rolling weighted average of the readings that smoothes the data and excludes sudden spikes.*

## Distance from Target

Thermometers measure the surface temperature of an object by sensing its emitted, reflected, and transmitted energy. The sensor collects this energy from the area being measured (spot size). The spot size varies as the distance to the target changes. The farther the distance from the area being targeted, the larger the spot size.

When determining the appropriate distance from the object, the spot size must be somewhat smaller than the target area. When accuracy is critical, the spot size should be half as large as the target. If the spot size is larger than the target size, the thermometer will pick up the temperature of the background, resulting in inaccurate readings.



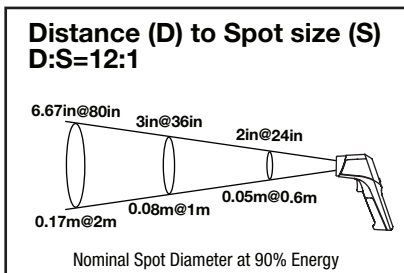
Object 1 is the correct distance from the unit. Note the target is slightly larger than the spot size being measured.

Object 2 is too far away. The thermometer also measures the background because the target is smaller than the instrument's spot size. This can result in an inaccurate reading.

## Distance to Spot Size

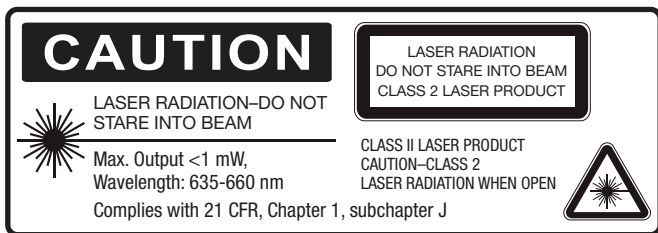
The distance to spot size is a ratio that provides the appropriate distance to the target.

The nominal distance-to-spot-size (D:S) ratio for TG-1000 is 12:1.





## Operation



1. Refer to “Typical Measurements” for specific measuring instructions.
2. Test the unit on an object with a known temperature.
  - If the unit does not function as expected on an object of known temperature, replace the batteries.
  - If the unit still does not function as expected, call Greenlee for technical assistance at 800-435-0786.
3. To measure the temperature of a selected area: Press and hold the trigger and point the thermometer at the object to be measured. The laser indicates the approximate center of the measured area. The measured temperature and advanced feature data will appear on the display. Release the trigger after completing the measurement. “HOLD,” the final temperature measurement, and advanced feature data will remain on the display for 1 minute.
4. To take more than one temperature measurement, or to locate a hot spot: Press and hold the trigger, and scan the objects to be measured. The unit will record the maximum, minimum, difference, and average temperatures.

To perform other functions, refer to “Advanced Features” in the “Using the Features” section.

### Limitations

- The thermometer cannot measure through transparent objects, such as glass or plastic. It will measure the surface temperature of the glass or plastic.
- Steam, dust, smoke, or other particles can prevent accurate measurement by obstructing the unit’s infrared sensor.

### Locating a Hot Spot

To find a hot spot, aim the thermometer outside the area of interest, and then scan across with an up and down motion.

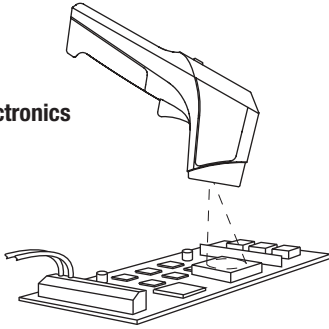
## Operation (cont'd)

### Troubleshooting

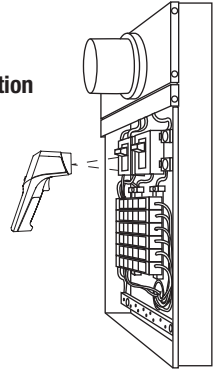
<b>Code</b>	<b>Problem</b>	<b>Action</b>
Er2	Thermometer has been exposed to rapid temperature change.	Allow at least 30 minutes for thermometer to stabilize at new ambient temperature.
Er3	Ambient temperature is outside operating limits (refer to "Specifications").	Operate thermometer within limits in the "Specifications" section.
Er5 ~ 9	Other errors.	Reset thermometer by removing batteries for at least 1 minute. Reinstall batteries and check operation.
HI	Measured temperature is above range of thermometer.	Use thermometer within its specified range.
LO	Measured temperature is below range of the thermometer.	Use thermometer within its specified range.

## Typical Measurements

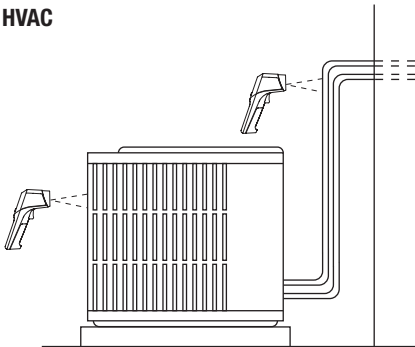
**Electronics**



**Power Distribution**



**HVAC**



- Minimum width of line is 25 mm (1") for accurate reading
- Non-insulated line

## Emissivity

Emissivity is the ability of an object to emit infrared energy. Most objects or surfaces have an emissivity value of about 0.95. Some objects, such as polished or shiny metallic surfaces, may have much lower emissivity. Using an infrared thermometer to measure the temperature of such objects will produce inaccurate results.

### CAUTION

- Temperature readings will be inaccurate on highly reflective objects.
- Temperature readings will be inaccurate on objects if emissivity is not adjusted properly. Follow masking and emissivity adjustment procedures.

Failure to observe these precautions may result in injury and can damage the unit.

### Masking a Surface to Determine Emissivity

To determine the effect of emissivity on the measurement, cover the surface with masking tape or flat black paint. (Be sure to use tape or paint that can withstand the anticipated temperature.) The emissivity of both these materials is about 0.95. Allow time for the tape or paint to reach the temperature of the material underneath. Measure the covered area and a nearby area. The readings should be about the same. If they are not, the emissivity may affect your measurements.

### Compensating for Emissivity

- If the temperature of the surface is known, adjust the emissivity until the unit agrees with the known temperature.
- If the material of the surface is known, adjust the emissivity according to the Common Emissivities table on the following page.
- Otherwise, mask the surface as described above. Measure temperature of the masked area with emissivity set at 0.95. Measure temperature of unmasked surface and adjust emissivity until temperatures agree. Write down emissivity value for future readings on this surface.

## Emissivity (cont'd)

### Common Emissivities

Material	Emissivity
Aluminum	0.30
Asbestos	0.95
Asphalt	0.95
Basalt	0.70
Brass*	0.50
Brick	0.90
Carbon	0.85
Ceramic	0.95
Concrete	0.95
Copper*	0.95
Dirt	0.94
Food (frozen)	0.90
Food (hot)	0.93
Glass (plate)	0.85
Ice	0.98

\*oxidized

\*\*opaque, over 0.51 mm (0.0020") thick

\*\*\*natural

Material	Emissivity
Iron*	0.70
Lead*	0.50
Limestone	0.98
Oil	0.94
Paint	0.93
Paper	0.95
Plastic**	0.95
Rubber	0.95
Sand	0.90
Snow	0.90
Steel*	0.80
Textiles	0.94
Water	0.93
Wood***	0.94

## Accuracy

### Accuracy Table for Infrared Sensor

Target Temperature	Ambient Temperature	Accuracy
15 °C to 35 °C	25 °C	± 1.5 °C
-60 °C to 0 °C	20 °C to 26 °C	± (2.0–0.05 x reading) °C
0 °C to 550 °C		± 2.0% of reading or 2 °C, whichever is greater
59 °F to 95 °F	77 °F	± 2.7 °F
-76 °F to 32 °F	73 °F to 79 °F	± (5.2–0.05 x reading) °F
32 °F to 1022 °F		± 2.0% of reading or 4 °F, whichever is greater

## Specifications

Display: 4–digit LCD (999.9 or 9999 maximum display)

Response Time: 1 second, 90% response

Temperature Range:

Infrared Sensor: -60 °C to 550 °C (-76 °F to 1022 °F)

Spectral Response: 8 to 14  $\mu\text{m}$

Repeatability:  $\pm 0.5\%$  of reading or  $\pm 1$  °C ( $\pm 2$  °F), whichever is greater

Emissivity: 0.10 to 1.0, digitally adjustable

Ambient Operating Temperature Range: 0 °C to 50 °C (32 °F to 122 °F)\*

Relative Humidity: 10% to 90% (non-condensing) at < 30 °C (86 °F) ambient temperature

Altitude: 2000 m (6500') maximum

Storage Conditions: -10 °C to 60 °C (14 °F to 140 °F)\*.

Remove batteries.

Battery: Two 1.5 volt batteries (AAA, NEDA 24A or IEC LR03)

\* For improved accuracy, allow unit 30 minutes to adjust to large change in temperature.

## Statement of Conformity

Greenlee Tools, Inc. is certified in accordance with ISO 9001 (2000) for our Quality Management Systems.

The instrument enclosed has been checked and/or calibrated using equipment that is traceable to the National Institute for Standards and Technology (NIST).

## Maintenance

### CAUTION

Electric shock hazard:

Do not attempt to repair this unit. It contains no user-serviceable parts.

Failure to observe this precaution may result in injury and can damage the unit.

### Battery Replacement

1. Slide the door down and away from the handle.
2. Replace the batteries (observe polarity).
3. Close the battery compartment door.

### Cleaning

#### Lens

1. Blow off loose particles using clean compressed air.
2. Gently brush any remaining debris away with a camel hair brush or soft cloth.
3. Carefully wipe the surface with a water-moistened cotton swab.

*Note: Do not use solvents!*

#### Housing

Periodically wipe the housing with a damp cloth and mild detergent; do not use abrasives or solvents.

### **Lifetime Limited Warranty**

Greenlee Tools, Inc. warrants to the original purchaser of these goods for use that these products will be free from defects in workmanship and material for their useful life, excepting normal wear and abuse. This warranty is subject to the same terms and conditions contained in Greenlee Tools, Inc.'s standard one-year limited warranty.

For all Test Instrument repairs, contact Customer Service at 800-435-0786 and request a Return Authorization. For items not covered under warranty (such as items dropped, abused, etc.), a repair cost quote is available upon request.

*Note: Prior to returning any test instrument, please check replaceable batteries or make sure the battery is at full charge.*



## Descripción

El termómetro infrarrojo modelo TG-1000 de Greenlee es un sensor de temperatura superficial de bolsillo. La capacidad de medición no intrusiva de esta unidad representa un método más seguro y rápido que otros, y es adecuada para verificar la temperatura de superficie de interruptores automáticos, motores, equipo de calefacción y aire acondicionado (HVAC, por sus siglas en inglés), máquinas, etc.

Este dispositivo mide la temperatura de la superficie captando tres formas de energía infrarroja: la energía emitida, transmitida y reflejada por un objeto, y enseguida convierten esa energía en temperatura.

Este instrumento de temperatura incluye las siguientes funciones:

- Mirilla láser. El haz de láser señala el centro aproximado del área de medición.
- Alarmas de temperatura alta y baja ajustables por el usuario.
- Registro automático de temperaturas máxima, mínima, diferencial y promedio mientras realiza las mediciones.
- Modo Bloqueo. Permite mediciones prolongadas sin sujetar el gatillo. En el modo Bloqueo los haces de láser se apagan a menos que el gatillo se mantenga oprimido.

## Acerca de la seguridad

Es fundamental observar métodos seguros al utilizar y dar mantenimiento a las herramientas y equipo Greenlee. Este manual de instrucciones y todas las marcas que ostenta la herramienta le ofrecen la información necesaria para evitar riesgos y hábitos poco seguros relacionados con su uso. Siga toda la información sobre seguridad que se proporciona.

## Propósito de este manual

Este manual de instrucciones tiene como propósito familiarizar a todo el personal con los procedimientos de operación y mantenimiento seguros para el termómetro infrarrojo TG-1000 de Greenlee.

Mantenga siempre este manual al alcance de todo el personal.

Puede obtener copias adicionales de manera gratuita, previa solicitud en [www.greenlee.com](http://www.greenlee.com).



**¡No deseche ni descarte este producto!**

Para información sobre reciclaje, visite [www.greenlee.com](http://www.greenlee.com).

### Representante Autorizado:

Gustav Klauke GmbH  
Auf dem Knapp 46  
42855 Remscheid  
Germany

Todas las especificaciones son nominales y pueden cambiar conforme tengan lugar mejoras de diseño. Greenlee Tools, Inc. no se hace responsable de los daños que puedan surgir de la mala aplicación o mal uso de sus productos.

**CONSERVE ESTE MANUAL**

## Importante Información sobre Seguridad



### SÍMBOLO DE ALERTA SOBRE SEGURIDAD

Este símbolo se utiliza para indicar un riesgo o práctica poco segura que podría ocasionar lesiones o daños materiales. Cada uno de los siguientes términos denota la gravedad del riesgo. El mensaje que sigue a dichos términos le indica cómo puede evitar o prevenir ese riesgo.

#### **PELIGRO**

Peligros inmediatos que, de no evitarse, OCASIONARÁN graves lesiones o incluso la muerte.

#### **ADVERTENCIA**

Peligros que, de no evitarse, PODRÍAN OCASIONAR graves lesiones o incluso la muerte.

#### **ATENCIÓN**

Peligro o prácticas peligrosas que, de no evitarse, PUEDEN OCASIONAR lesiones o daños materiales.



#### **ADVERTENCIA**

**Lea y entienda** este documento antes de manejar esta herramienta o darle mantenimiento. Utilizarla sin comprender cómo manejarla de manera segura podría ocasionar un accidente y, como resultado de éste, graves lesiones o incluso la muerte.

#### **ADVERTENCIA**

Peligro de electrocución e incendio:

- No exponga esta unidad ni a la lluvia ni a la humedad.
- No utilice esta unidad si se encuentra mojada o dañada.
- Utilícela únicamente para el propósito para el que ha sido diseñada por el fabricante, tal como se describe en este manual. Cualquier otro uso puede menoscabar la protección proporcionada por la unidad.

De no observarse estas advertencias podrían sufrirse graves lesiones o incluso la muerte.

## Importante Información sobre Seguridad

### ADVERTENCIA

Peligro de electrocución:

- No abra la caja, excepto el compartimiento de la batería.
- Antes de abrir la caja, suelte el gatillo y apague la unidad.

De no observarse estas advertencias podrían sufrirse lesiones graves o incluso la muerte.

### ADVERTENCIA

Esta unidad no ha sido diseñada para uso médico.

De no observarse esta advertencia podrían sufrirse lesiones graves o incluso la muerte.

<h1>ATENCIÓN</h1>	<p>RADIACIÓN LÁSER NO FIJE LA MIRADA EN EL HAZ DE LUZ PRODUCTO LÁSER DE CLASE 2</p>
 <p>RADIACIÓN LÁSER — NO FIJE LA MIRADA EN EL HAZ DE LUZ</p> <p>Salida máxima &lt;1 mW, Longitud de onda: 635-660 nm</p> <p>Cumple con lo estipulado en el Apartado J del Capítulo 1 de la normativa 21 CFR</p>	<p>PRODUCTO LÁSER DE CLASE II ATENCIÓN — CLASE 2 EXISTE RADIACIÓN LÁSER AL ABRIR LA CAJA</p> 

	<h3> ATENCIÓN</h3>
	<p>Peligro de láser:</p> <ul style="list-style-type: none"> <li>• Evite la exposición al haz de láser.</li> <li>• No oriente el haz de láser directamente a los ojos u objetos reflectores.</li> </ul> <p>De no observarse estas advertencias podrían sufrirse lesiones.</p>

### ATENCIÓN

Peligro de electrocución:

- No intente reparar esta unidad, ya que contiene partes que deben recibir mantenimiento por parte de un profesional.
- No exponga la unidad a ambientes de temperatura extrema o altos niveles de humedad. Consulte la sección “Especificaciones”.

De no observarse estas precauciones pudieran sufrirse lesiones o daños a la unidad.

## Importante Información sobre Seguridad

### **ATENCIÓN**

- Las lecturas de temperatura serán inexactas cuando se midan objetos de alta reflexión.
- Las lecturas de temperatura serán inexactas cuando se midan objetos en que no se haya ajustado correctamente la emisividad. Siga los procedimientos de ajuste de emisividad y protección con cinta adhesiva.
- Permita que transcurran 30 minutos para que la unidad pueda ajustarse a cambios considerables de temperatura ambiente; quizá se obtengan lecturas inexactas.
- Limpie la lente periódicamente; quizás se obtengan lecturas inexactas. Consulte la sección "Mantenimiento".

De no observarse estas precauciones podrían sufrirse lesiones y daños a la unidad.

### **IMPORTANTE**

- Al utilizar esta unidad cerca de equipo que genere interferencia electromagnética quizá se obtenga una lectura inexacta e inestable.
- Proteja la unidad contra electricidad estática.

### **Certificación CE**

Este instrumento cumple con las siguientes normas:

- EN50081-1:1992, Emisiones Electromagnéticas
- EN50082-1:1992, Susceptibilidad Electromagnética

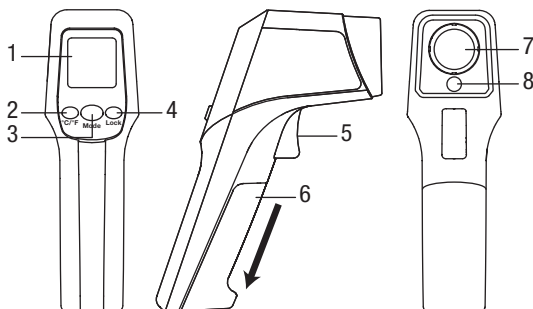
Las lecturas pueden verse afectadas si la unidad se opera con un campo electromagnético de radiofrecuencia de aproximadamente 3 V por metro, pero el desempeño del instrumento no será afectado permanentemente.

### **CFR 21 1040.10 y 1040.11**

Normas de Rendimiento para Productos Electroluminiscentes

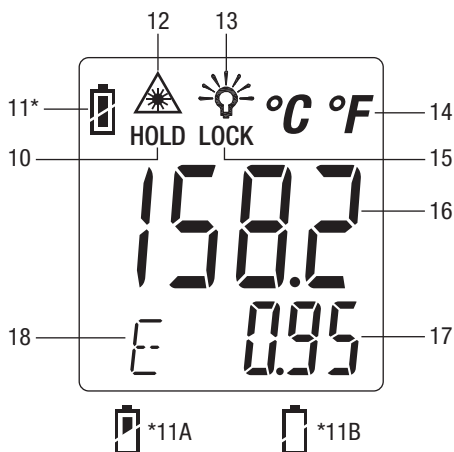
## Identificación

1. Pantalla
2. Botón reductor y selector de °C/°F
3. Selector Mode (Modo)
4. Botón de aumento y botón Lock (Bloqueo)
5. Gatillo
6. Puerta del compartimento de la batería
7. Lente
8. Haces de láser



## Iconos de la pantalla

10. Indicador de modo Retención
11. Indicador de batería con carga completa
  - 11A. Indicador de batería baja
  - 11B. Indicador de batería sin carga
12. Indicador de encendido (ON) del haz de láser
13. Indicador de encendido (ON) de luz de fondo
14. Indicador de grados Celsius o Fahrenheit
15. Indicador de modo Bloqueo
16. Indicador de temperatura
17. Indicador de valor de modo
18. Indicador de modo



## Símbolos en la unidad

- Advertencia — Lea el manual de instrucciones
- Recicle el producto de acuerdo con lo establecido en las direcciones del fabricante
- Estas unidades emiten radiación láser.

## Cómo utilizar las distintas funciones

### Funciones básicas

- Para encender o apagar el láser: Oprima sin soltar el gatillo, y después oprima momentáneamente el botón **°C/°F**.
- Para encender o apagar la luz de fondo: Oprima sin soltar el gatillo, y después oprima momentáneamente el botón **Lock**.
- Para cambiar de grados Celsius a Fahrenheit: Si la pantalla LCD está en blanco, oprima y suelte el gatillo. Oprima momentáneamente el botón **°C/°F**.
- Para bloquear el gatillo y realizar mediciones continuas: Si la pantalla LCD está en blanco, oprima y suelte el gatillo. Oprima momentáneamente el botón **Lock** (Bloqueo). Vuelva a oprimir momentáneamente el botón **Lock** (Bloqueo) para regresar a la medición normal. La unidad desactivará automáticamente el modo Bloqueo después de 60 minutos.

### Funciones avanzadas

Oprima el botón **Mode** (Modo) para tener acceso a las funciones avanzadas. Éstas aparecen en este orden: Pantalla de emisividad (E), Ajuste de emisividad (↓E↑), Máximo (MAX), Mínimo (MIN), Diferencial (dIF), Promedio (AVG), Límite elevado de alarma (HAL), y Límite bajo de alarma (LAL).

#### Puntos de ajuste de alarma

Después de seleccionar el modo HAL o LAL, use el botón **°C/°F** o **Lock** (Bloqueo) para establecer el punto de alarma. Se escuchará un tono si la temperatura es mayor que o menor que el punto de ajuste correspondiente.

#### Revisión de mediciones

Una vez que la unidad se apague, oprima **Mode** para revisar las mediciones.

- MAX – el valor de temperatura más alto registrado entre todas las lecturas.
- MIN – el valor de temperatura más bajo registrado entre todas las lecturas.
- dIF – la diferencia entre el valor de temperatura máximo y mínimo
- AVG — un promedio ponderado de balanceo de todas las lecturas.

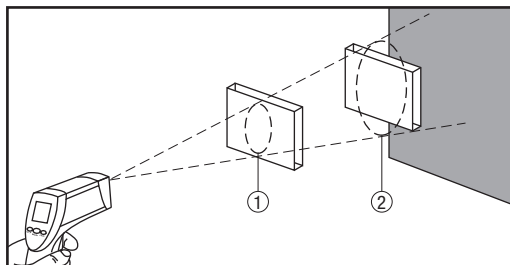
*Aviso: Los valores para MAX, MIN, dIF y AVG se restablecen cada vez que se oprime el gatillo.*

*Aviso: La función AVG actúa como un filtro para eliminar las fluctuaciones de las lecturas de temperatura. No se trata de una media aritmética, sino más bien de un promedio ponderado de balanceo de las lecturas que aplanan los datos y elimina picos de señal repentinos.*

## Distancia entre el sensor y el objetivo

Los termómetros miden la temperatura de la superficie de un objeto captando la energía que éste emite, refleja y transmite. El sensor capta la energía del área a ser medida (punto de concentración). El punto de concentración varía según cambia la distancia hasta el objetivo. Mientras más grande sea la distancia hasta el área que se está verificando, mayor será el punto de concentración.

Para determinar la distancia apropiada que debe existir entre el sensor y el objeto, hay que tener presente que el punto de concentración debe ser un poco menor que el área objetivo. Cuando la precisión sea un factor esencial, el punto de concentración deberá ser la mitad de grande que el área objetivo. Si el punto de concentración es más grande, el termómetro captará la temperatura del fondo del área objetivo, dando como resultado una lectura inexacta.



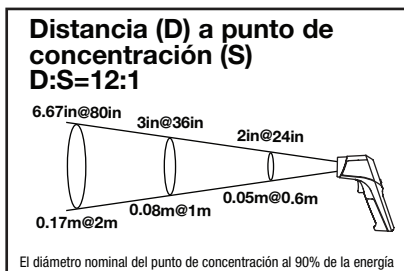
El objeto 1 representa la distancia correcta desde la unidad. Observe que el área objetivo es ligeramente más grande que el punto de concentración cuya temperatura se está midiendo.

El objeto 2 está demasiado lejos. El termómetro mide también el fondo debido a que el área objetivo es menor que el punto de concentración del instrumento. Esto puede dar como resultado una lectura inexacta.

### Distancia a punto de concentración

La distancia a punto de concentración es el coeficiente que proporciona la distancia apropiada hasta el objetivo.

El coeficiente de distancia a punto de concentración nominal (D:S) para la unidad TG-1000 es de 12:1.



## Funcionamiento



1. Consulte la sección “Mediciones más comunes” en relación con las instrucciones específicas para cada tipo de medición.
2. Pruebe la unidad en un objeto cuya temperatura le sea conocida.
  - Si la unidad no funciona como se espera en un objeto de temperatura conocida, cambie las baterías.
  - Si la unidad aún sigue sin funcionar como debería, llame a Greenlee al 800-435-0786 para obtener asistencia técnica.
3. Para medir la temperatura de un área seleccionada: Oprima sin soltar el gatillo y apunte el termómetro hacia el objeto que desea medir. El haz de láser señala el centro aproximado del área de medición. La temperatura medida y los datos de función avanzada aparecerán en la pantalla. Suelte el gatillo al terminar la medición. “HOLD” (Retener), la medición de temperatura final y los datos de función avanzada permanecerán en la pantalla durante 1 minuto.
4. Para tomar más de una medición de temperatura, o para localizar un punto caliente: Oprima sin soltar el gatillo, y escanee los objetos que desea medir. La unidad registrará las temperaturas máxima, mínima, diferencial y promedio.

Para realizar otras funciones, consulte “Funciones avanzadas” en la sección “Cómo utilizar las funciones”.

### Limitaciones

- El termómetro no puede realizar mediciones a través de objetos transparentes, tales como cristal o plástico. Medirá únicamente la temperatura de superficie del cristal o del plástico.
- El vapor, polvo, humo u otras partículas podrían obstruir el sensor infrarrojo de la unidad y ocasionar mediciones inexactas

### Cómo localizar un punto caliente

Para localizar un punto caliente, apunte el termómetro fuera del área de interés y escanee el área con un movimiento hacia arriba y hacia abajo.



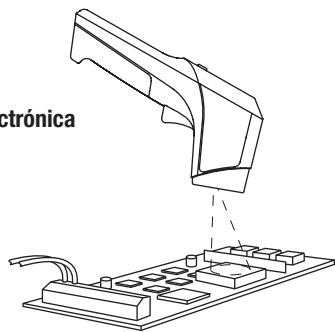
## Funcionamiento (continuación)

### Solución de problemas

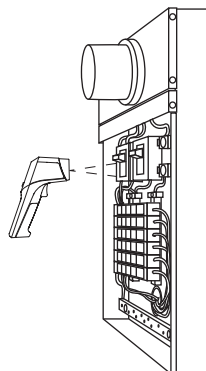
Código	Problema	Procedimiento
Er2	El termómetro ha sido expuesto a un cambio rápido de temperatura.	Espere al menos 30 minutos para que el termómetro se estabilice a la nueva temperatura ambiente.
Er3	La temperatura ambiente está fuera de los límites de funcionamiento (consulte las "Especificaciones").	Utilice el termómetro dentro de los límites indicados en la sección "Especificaciones".
Er5 ~ 9	Otros errores.	Extraiga las baterías durante un mínimo de 1 minuto para restablecer el termómetro. Vuelva a instalar las baterías y verifique el funcionamiento.
HI	La temperatura medida está por encima del límite del termómetro.	Use el termómetro dentro de sus límites especificados.
LO	La temperatura medida está por debajo del límite del termómetro.	Use el termómetro dentro de sus límites especificados.

## Mediciones más comunes

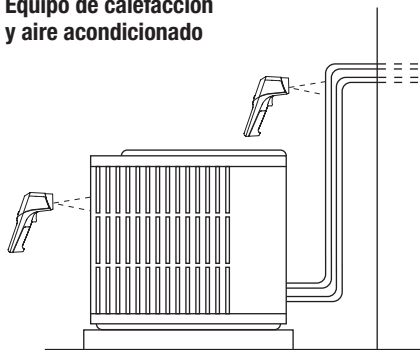
**Electrónica**



**Distribución de energía**



**Equipo de calefacción y aire acondicionado**



- El grosor mínimo de la línea es 25 mm (1 pulg.) para una lectura exacta.
- Línea no aislada

## Emisividad

La emisividad es la capacidad de un objeto de emitir energía infrarroja. La mayoría de los objetos o superficies tienen un valor de emisividad de aproximadamente 0,95. Ciertos objetos, tales como las superficies metálicas brillantes o pulidas cuentan con una emisividad mucho menor. Cuando se utiliza un termómetro infrarrojo para medir la temperatura de dichos objetos se obtendrán resultados inexactos.

### ATENCIÓN

- Las lecturas de temperatura serán inexactas cuando se midan objetos de alta reflexión.
- Las lecturas de temperatura serán inexactas cuando se midan objetos en que no se haya ajustado correctamente la emisividad. Siga los procedimientos de ajuste de emisividad y protección con cinta adhesiva.

De no observarse estas precauciones podrían sufrirse lesiones y daños a la unidad.

### Cómo cubrir una superficie con cinta adhesiva para determinar la emisividad

Para determinar el efecto de emisividad en la medición, cubra la superficie con cinta adhesiva o con pintura mate negra. (Asegúrese de utilizar cinta adhesiva o pintura resistentes a la temperatura anticipada). La emisividad de ambos materiales es de aproximadamente 0,95. Espere lo suficiente para que la cinta adhesiva o la pintura alcancen la temperatura del material al que cubren. Mida el área cubierta y el área adyacente. Se deberán obtener lecturas casi idénticas. Si no es así, su lectura quizás está siendo afectada por la emisividad.

### Cómo compensar por la emisividad

- Si le es conocida la temperatura de la superficie, ajuste la emisividad hasta que la lectura de la unidad concuerde con la temperatura conocida.
- Si le es conocida la temperatura del material de la superficie, ajuste la emisividad de acuerdo con la tabla "Valores comunes de emisividad", en la siguiente página.
- De otra manera, cubra la superficie con cinta adhesiva, tal como se describió anteriormente. Mida la temperatura del área cubierta con cinta adhesiva ajustando la unidad a una emisividad de 0,95. Mida la temperatura de una superficie sin cinta adhesiva y ajuste la emisividad hasta que la temperatura de ambas coincida. Anote el valor de emisividad, en calidad de referencia para futuras lecturas realizadas en esta superficie.

## Emisividad (continuación)

### Valores comunes de emisividad

Material	Emisividad
Aluminio	0,30
Asbesto	0,95
Asfalto	0,95
Basalto	0,70
Latón*	0,50
Ladrillo	0,90
Carbón	0,85
Cerámica	0,95
Hormigón	0,95
Cobre*	0,95
Tierra	0,94
Alimento (congelado)	0,90
Alimento (caliente)	0,93
Vidrio (placa)	0,85
Hielo	0,98

\* oxidado

\*\* opaco, más de 0,51 mm (0,020 pulg.) de espesor

\*\*\* natural

Material	Emisividad
Hierro*	0,70
Plomo*	0,50
Piedra caliza	0,98
Aceite	0,94
Pintura	0,93
Papel	0,95
Plástico**	0,95
Caucho	0,95
Arena	0,90
Nieve	0,90
Acero*	0,80
Textiles	0,94
Agua	0,93
Madera***	0,94

## Precisión

### Tabla de precisión para sensores infrarrojos

Temperatura objetivo	Temperatura ambiente	Precisión
15 °C a 35 °C	25 °C	± 1,5 °C
-60 °C a 0 °C	20 °C a 26 °C	± (2,0 – 0,05 x lectura) °C
0 °C a 550 °C		± 2,0% de lectura o 2 °C, lo que sea mayor
59 °F a 95 °F	77 °F	± 2,7 °F
-76 °F a 32 °F	73 °F a 79 °F	± (5,2 – 0,05 x lectura) °F
32 °F a 1022 °F		± 2,0% de lectura o 4 °F, lo que sea mayor

## Especificaciones

Pantalla: LCD de 4 dígitos (resolución máxima de 999,9 o 9999 puntos)

Tiempo de respuesta: 1 segundo, 90% de respuesta

Escala de temperatura:

Sensor infrarrojo: -60 °C a 550 °C (-76 °F a 1022 °F)

Respuesta espectral: 8 a 14  $\mu\text{m}$

Reproducibilidad:  $\pm 0,5\%$  de lectura o  $\pm 1$  °C ( $\pm 2$  °F), lo que sea mayor

Emisividad: 0,10 a 1,0, ajustable digitalmente

Gama de temperatura ambiente de funcionamiento: 0 °C a 50 °C (32 °F a 122 °F)\*

Humedad relativa: 10% a 90% (sin condensación) a temperatura ambiente < 30 °C (86 °F)

Altitud: 2000 m (6500 pies) máxima

Condiciones de almacenamiento: -10 °C a 60 °C (14 °F a 140 °F)\*.

Retire las baterías.

Baterías: Dos baterías de 1,5 V (AAA, NEDA 24 A o IEC LR03)

\* Para mayor precisión, espere 30 minutos para que la unidad se ajuste a un cambio considerable de temperatura.

## Declaración de conformidad

Greenlee Tools, Inc. cuenta con certificación conforme a ISO 9001 (2000) para nuestros Sistemas de Gerencia de Calidad.

El instrumento provisto ha sido inspeccionado y/o calibrado mediante el uso de equipo reconocido por el Instituto Nacional de Normas y Tecnologías (National Institute for Standards and Technology [NIST]).

## Mantenimiento

### **ATENCIÓN**

Peligro de electrocución:

No intente reparar esta unidad, ya que contiene partes que deben recibir mantenimiento por parte de un profesional.

De no observarse esta advertencia podrían sufrirse lesiones o daños a la unidad.

### **Cambio de baterías**

1. Deslice la compuerta hacia abajo y lejos del mango.
2. Cambie las baterías (observe la polaridad).
3. Cierre la puerta del compartimiento de las baterías.

### **Limpieza**

#### **Lente**

1. Elimine las partículas sueltas soplando aire comprimido limpio.
2. Con un cepillo de cerdas de camello en un paño suave, retire cuidadosamente cualquier residuo.
3. Limpie la superficie cuidadosamente con un hisopo de algodón humedecido con agua.

*Aviso: ¡No utilice solventes!*

### **Alojamiento**

Limpie periódicamente el alojamiento utilizando un paño húmedo y detergente suave; no utilice abrasivos ni solventes.

### **Garantía limitada válida durante la vida útil del producto**

Greenlee Tools, Inc. le garantiza al comprador original de estos bienes de uso, que los mismos estarán libres de defectos de materiales y fabricación durante su vida útil, excepto en el caso de que sean maltratados o hayan sufrido el deterioro normal. Esta garantía está sujeta a los mismos términos y condiciones de la garantía estándar limitada válida por un año, otorgada por Greenlee Tools, Inc.

Para reparaciones de todo instrumento de verificación, comuníquese con el Departamento de Servicio al Cliente al 800-435-0786 y solicite una autorización de devolución.

Puede obtener, previa solicitud, una cotización de precios de reparación para aquellos artículos que no están cubiertos bajo esta garantía (los que se han dejado caer o han sido maltratados).

*Aviso: Antes de devolver un instrumento de verificación, revise si las baterías están bajas y es necesario reemplazarlas.*

## Description

Le thermomètre infrarouge TG-1000 de Greenlee est un appareil portable de détection de la température superficielle. La technique de mesure non intrusive de cet appareil est plus sûre et plus rapide que d'autres méthodes et convient bien au contrôle de la température à la surface de disjoncteurs, moteurs électriques, équipements de chauffage, ventilation, climatisation et réfrigération, moteurs thermiques, etc.

Cet appareil mesure la température superficielle par la collecte de trois formes d'énergie infrarouge, à savoir l'énergie émise, transmise et réfléchie par un objet, et convertit cette énergie en température.

Cet appareil de mesure de température présente les caractéristiques suivantes :

- Visée laser. Le laser indique le centre approximatif de la surface de mesure.
- Alarmes de haute et basse températures réglables par l'utilisateur.
- Enregistrement automatique des températures maximale, minimale, d'écart et moyenne durant la mesure.
- Mode de verrouillage. Permet d'effectuer des mesures de longue durée sans tenir la gâchette enfoncée. En mode de verrouillage, le laser est éteint sauf si la gâchette est tenue enfoncée.

## Sécurité

Lors de l'utilisation et de l'entretien des outils et des équipements de Greenlee, votre sécurité est une priorité. Ce manuel d'instructions et toute étiquette sur l'outil fournit des informations permettant d'éviter des dangers ou des manipulations dangereuses liées à l'utilisation de cet outil. Suivre toutes les consignes de sécurité indiquées.

## Objet de ce manuel

Ce manuel a pour objet de familiariser l'utilisateur avec les procédures préconisées pour une utilisation et un entretien sans danger du thermomètre infrarouge TG-1000 de Greenlee.

Mettre ce manuel à la disposition de tous les employés.

On peut obtenir des exemplaires gratuits sur simple demande sur le site Web [www.greenlee.com](http://www.greenlee.com).



**Ne pas se débarrasser de ce produit ou le jeter !**

Pour des informations sur le recyclage, visiter [www.greenlee.com](http://www.greenlee.com).

### Représentant Autorisé:

Gustav Klauke GmbH  
Auf dem Knapp 46  
42855 Remscheid  
Germany

Toutes les spécifications sont nominales et peuvent changer avec l'amélioration de la conception. Greenlee Tools, Inc. ne peut être tenue responsable des dommages résultant d'une application inappropriée ou d'un mauvais usage de ses produits.

**CONSERVER CE MANUEL**

## Consignes de sécurité importantes



### SYMBOLE D'AVERTISSEMENT

Ce symbole met en garde contre les risques et les manipulations dangereuses pouvant entraîner des blessures ou l'endommagement du matériel. Le mot indicateur, défini ci-dessous, indique la gravité du danger. Le message qui suit le mot indicateur indique comment empêcher le danger.

#### **DANGER**

Danger immédiat qui, s'il n'est pas pris en considération **ENTRAINERA** des blessures graves, voire mortelles.

#### **AVERTISSEMENT**

Danger qui, s'il n'est pas pris en considération, **POURRAIT** entraîner des blessures graves, voire mortelles.

#### **ATTENTION**

Dangers ou manipulations dangereuses qui, s'ils ne sont pas pris en considération, **POURRAIENT EVENTUELLEMENT** entraîner des dommages à la propriété ou causer des blessures.



#### **AVERTISSEMENT**

**Lire attentivement et bien comprendre** cette documentation avant d'utiliser ou de procéder à l'entretien de cet équipement. Négliger de comprendre comment utiliser cet outil en toute sécurité pourrait provoquer un accident et entraîner des blessures graves, voire mortelles.

#### **AVERTISSEMENT**

Risques de décharge électrique et d'incendie :

- Ne pas exposer cet appareil à la pluie ou à l'humidité.
- Ne pas utiliser cet appareil s'il est mouillé ou endommagé.
- Utiliser cet appareil uniquement dans le but pour lequel il a été conçu, tel que décrit dans ce manuel. Toute autre utilisation peut altérer le système de protection de cet appareil.

L'inobservation de ces consignes pourrait entraîner des blessures graves, voire mortelles.



## Consignes de sécurité importantes

### ⚠️ AVERTISSEMENT

Risque de décharge électrique :

- Ne pas ouvrir le boîtier, à l'exception du compartiment des piles.
- Avant d'ouvrir le boîtier, lâcher la gâchette et éteindre l'appareil.

L'inobservation de ces consignes pourrait entraîner des blessures graves, voire mortelles.

### ⚠️ AVERTISSEMENT

Cet appareil n'est pas destiné à des applications médicales.

L'inobservation de cette consigne pourrait entraîner des blessures graves, voire mortelles.

<h1>ATTENTION</h1>	<div style="border: 1px solid black; padding: 5px;"> <p>RAYONNEMENT LASER NE PAS POINTER LE FAISCEAU DANS L'ŒIL PRODUIT LASER DE CLASSE 2</p> </div>
	<p>RAYONNEMENT LASER — NE PAS POINTER LE FAISCEAU DANS L'ŒIL</p> <p>Émission max. &lt; 1 mW, longueur d'onde : 635-660 nm Conforme à 21 CFR, chapitre 1, sous-chapitre J</p>
	<p>PRODUIT LASER DE CLASSE II ATTENTION—RAYONNEMENT LASER DE CLASSE 2 EN CAS D'OUVERTURE</p> 

### ⚠️ ATTENTION



Danger de rayonnement laser :

- Éviter l'exposition au laser.
- Ne pas pointer le laser directement dans l'œil ou sur des objets réfléchissants.

L'inobservation de ces consignes pourrait entraîner des blessures graves.

### ⚠️ ATTENTION

Risques de décharge électrique :

- Ne pas tenter de réparer cet appareil. Il ne comporte aucune pièce pouvant être réparée.
- Ne pas exposer l'appareil à des températures ou à une humidité extrêmes. Se reporter à la section des « Caractéristiques techniques ».

L'inobservation de ces consignes pourrait endommager l'appareil et entraîner des blessures.

## Consignes de sécurité importantes

### **ATTENTION**

- Les mesures de températures sont faussées sur les objets très réfléchissants.
- Les mesures de température sont faussées si l'émissivité n'est pas correctement réglée. Suivre les procédures de masquage et de réglage de l'émissivité.
- En cas de variation importante de la température ambiante, laisser l'appareil se stabiliser pendant 30 minutes pour éviter de fausser les mesures.
- Nettoyer l'objectif à intervalles réguliers pour éviter de fausser les mesures. Se reporter à la section « Entretien ».

L'inobservation de ces précautions pourrait provoquer des blessures et endommager l'appareil.

### **IMPORTANT**

- L'utilisation de cet appareil à proximité de matériel émettant un brouillage électromagnétique peut produire des mesures instables ou erronées.
- Protéger l'appareil contre l'électricité statique.

### **Attestation CE**

Cette appareil est conforme aux normes suivantes :

- EN50081-1:1992, Émissions électromagnétiques
- EN50082-1:1992, Susceptibilité électromagnétique

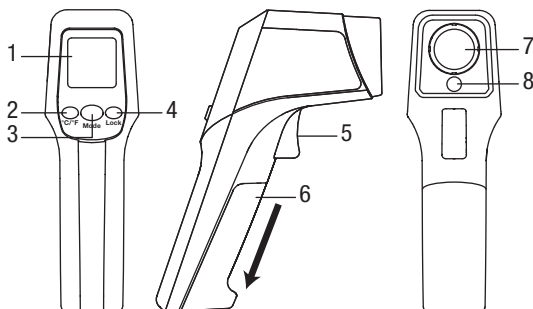
Les mesures peuvent être perturbées si l'appareil est utilisé dans un champ électromagnétique radiofréquence d'environ 3 V/m, mais sans effet permanent sur le fonctionnement de l'appareil.

### **CFR 21 1040.10 et 1040.11**

Normes de fonctionnement pour les produits émetteurs de lumière

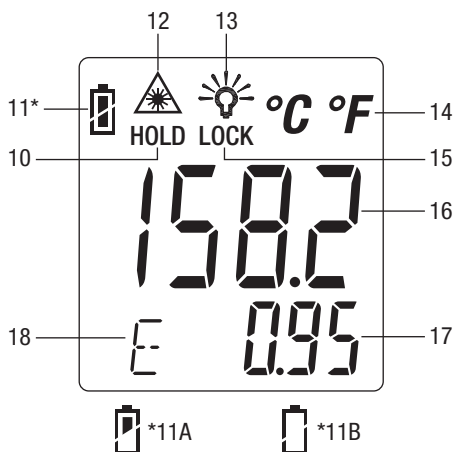
## Identification

1. Afficheur
2. Bouton de réduction et sélecteur °C/°F
3. Sélecteur de mode
4. Bouton d'augmentation et de verrouillage
5. Gâchette
6. Couvercle des piles
7. Objectif
8. Lasers






## Icônes de l'afficheur

10. Indicateur de mode de maintien
11. Indicateur piles chargées
  - 11A. Indicateur piles faibles
  - 11B. Indicateur piles déchargées
12. Indicateur de marche du laser
13. Indicateur de rétroéclairage
14. Indicateur Celsius ou Fahrenheit
15. Indicateur de mode de verrouillage
16. Indicateur de température
17. Indicateur de valeur du mode
18. Indicateur de mode



## Symboles apparaissant sur l'appareil

-  Avertissement — Lire le manuel d'instructions
-  Recycler le produit conformément aux directives du fabricant.
-  Cet appareil émet un rayonnement laser.

## Utilisation des fonctions de l'appareil

### Fonctions de base

- Pour mettre le laser en marche et à l'arrêt : en tenant la gâchette enfoncée, appuyer brièvement sur le bouton °C/°F.
- Pour allumer et éteindre le rétroéclairage : en tenant la gâchette enfoncée, appuyer brièvement sur le bouton **Lock**.
- Pour alterner entre Celsius et Fahrenheit : si l'affichage est vide, enfoncer la gâchette et la relâcher. Appuyer brièvement sur le bouton °C/°F.
- Pour verrouiller la gâchette en mode de mesure continue : si l'affichage est vide, enfoncer la gâchette et la relâcher. Appuyer brièvement sur le bouton **Lock**. Appuyer brièvement sur le bouton **Lock** une nouvelle fois pour revenir en mode de mesure normal. L'appareil quitte automatiquement le mode de verrouillage au bout de 60 minutes.

### Fonctions spéciales

Appuyer sur le bouton **Mode** pour accéder aux fonctions spéciales. Elles apparaissent dans l'ordre suivant : affichage de l'émissivité (E), réglage de l'émissivité (↓E↑), maximum (MAX), minimum (MIN), écart (dIF), moyenne (AVG), limite d'alarme haute (HAL) et limite d'alarme basse (LAL).

### Réglage des consignes d'alarme

Après avoir sélectionné le mode HAL ou LAL, utiliser le bouton °C/°F ou **Lock** pour régler la consigne d'alarme. Une tonalité est audible si la température est supérieure ou inférieure à la valeur de consigne correspondante.

### Examen des mesures

Après avoir éteint l'appareil, appuyer sur **Mode** pour examiner les mesures :

- MAX — la température la plus élevée parmi toutes les mesures enregistrées.
- MIN — la température la plus basse parmi toutes les mesures enregistrées.
- dIF — l'écart entre les mesures maximale et minimale.
- AVG — une moyenne mobile pondérée de toutes les mesures.

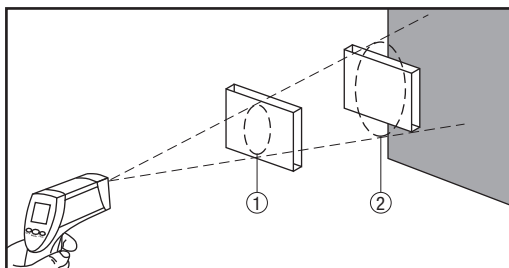
*Remarque : les valeurs de MAX, MIN, dIF et AVG sont réinitialisées chaque fois que la gâchette est actionnée.*

*Remarque : La fonction AVG joue un rôle de filtre éliminant les fluctuations des mesures de température. Il ne s'agit pas d'une moyenne arithmétique, mais une moyenne mobile pondérée de toutes les mesures qui lisse les données et exclut les pointes soudaines.*

## Distance depuis la cible

Ce thermomètre mesure la température à la surface d'un objet par la détection de l'énergie émise, réfléchie et transmise. Le capteur recueille cette énergie depuis la zone mesurée (dimension de la tache). La dimension de la tache varie avec la distance par rapport à la cible. La tache de mesure est d'autant plus grande que la surface visée est éloignée.

Lors de la détermination de la distance appropriée depuis l'objet, la tache doit être plus petite que la surface visée. Si la précision est cruciale, la dimension de la tache doit être inférieure de moitié à celle de la cible. Si la tache est plus grande que la cible, le thermomètre capte aussi la température du fond, ce qui fausse la mesure.



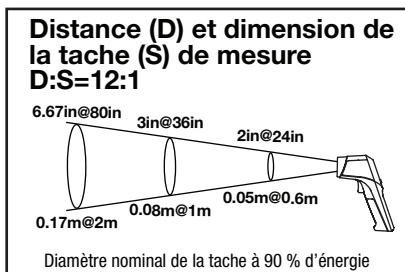
L'objet 1 se trouve à la bonne distance de l'appareil. On notera que la cible est légèrement plus grande que la tache de mesure.

L'objet 2 est trop loin. Le thermomètre mesure également le fond parce que la cible est plus petite que la tache de mesure. Cela peut fausser la lecture.

## Distance et dimension de la tache de mesure

Le rapport de la distance sur la dimension de la tache permet de déterminer la distance convenable depuis la cible.

Le rapport distance sur tache (D:S) nominal du TG-1000 est 12:1.



## Fonctionnement

<b>ATTENTION</b>	<b>RAYONNEMENT LASER NE PAS POINTER LE FAISCEAU DANS L'ŒIL PRODUIT LASER DE CLASSE 2</b>
 RAYONNEMENT LASER — NE PAS POINTER LE FAISCEAU DANS L'ŒIL	PRODUIT LASER DE CLASSE II ATTENTION—RAYONNEMENT LASER DE CLASSE 2 EN CAS D'OUVERTURE
Émission max. < 1 mW, longueur d'onde : 635-660 nm Conforme à 21 CFR, chapitre 1, sous-chapitre J	

1. Voir les instructions de mesure particulières sous « Mesures types ».
2. Tester l'appareil sur un objet de température connue.
  - Si l'appareil ne fonctionne pas comme prévu sur un objet de température connue, changer les piles.
  - Si l'appareil ne fonctionne toujours pas comme prévu, appeler le service d'assistance technique de Greenlee au 800-435-0786.
3. Pour mesurer la température d'une surface souhaitée : tenir la gâchette enfoncée et pointer le thermomètre sur l'objet à contrôler. Le laser indique le centre approximatif de la surface mesurée. La température mesurée et les données des fonctions spéciales s'affichent sur l'écran. Relâcher la gâchette une fois la mesure terminée. Le terme « HOLD », la mesure de température finale et les données des fonctions spéciales restent affichés pendant 1 minute.
4. Pour effectuer plus d'une mesure de température ou pour repérer un point chaud : tenir la gâchette enfoncée et balayer les objets à mesurer. L'appareil enregistre les températures maximale, minimale, d'écart et moyenne.

Pour exécuter d'autres fonctions, se reporter à « Fonctions spéciales » dans la section « Utilisation des fonctions de l'appareil ».

### Limites

- Ce thermomètre ne permet pas de mesurer à travers des matières transparentes telles que le verre ou le plastique. Cela mesurerait la température à la surface du verre ou du plastique.
- La vapeur, la poussière, la fumée et autres particules peuvent fausser la mesure par obstruction du capteur infrarouge de l'appareil.

### Repérer un point chaud

Pour trouver un point chaud, pointer le thermomètre hors de la zone d'intérêt puis balayer celle-ci horizontalement en oscillant vers le haut et le bas.

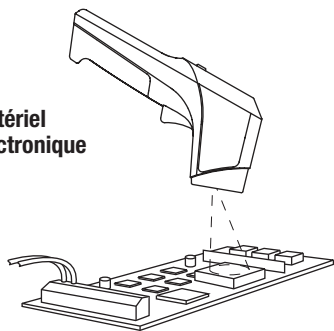
## Fonctionnement (suite)

### Dépannage

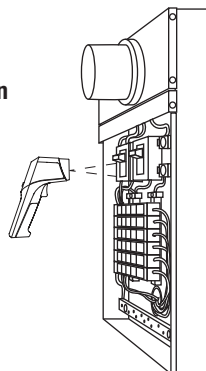
Code	Problème	Action
Er2	Le thermomètre a été exposé à une variation rapide de température.	Attendre au moins 30 minutes que le thermomètre se stabilise à la nouvelle température ambiante.
Er3	La température ambiante est en dehors des limites d'exploitation (voir les « Caractéristiques techniques »).	Utiliser le thermomètre dans les limites spécifiées dans les « Caractéristiques techniques ».
Er5 ~ 9	Autres erreurs.	Sortir les piles pendant au moins 1 minute pour réinitialiser le thermomètre. Remettre les piles en place et contrôler le fonctionnement.
HI	La température mesurée est au-dessus de la plage du thermomètre.	Utiliser le thermomètre dans la plage spécifiée.
LO	La température mesurée est en dessous de la plage du thermomètre.	Utiliser le thermomètre dans la plage spécifiée.

## Mesures types

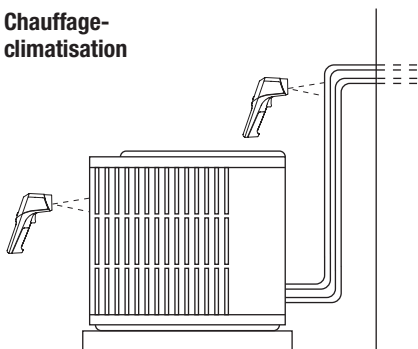
**Matériel électronique**



**Distribution électrique**



**Chauffage-climatisation**



- Conduite d'au moins 25 mm (1") de largeur pour obtenir une mesure fiable
- Conduite non isolée



## Émissivité

L'émissivité est l'aptitude d'un objet à émettre de l'énergie infrarouge. La majorité des objets ou surfaces ont une valeur d'émissivité de 0,95 environ. Certains objets, notamment les surfaces métalliques polies ou brillantes, peuvent présenter une émissivité beaucoup plus basse. L'utilisation d'un thermomètre à infrarouge pour mesurer la température de tels objets produirait des résultats incorrects.

### ATTENTION

- Les mesures de températures sont faussées sur les objets très réfléchissants.
  - Les mesures de température sont faussées si l'émissivité n'est pas correctement réglée.  
Suivre les procédures de masquage et de réglage de l'émissivité.
- L'inobservation de ces précautions pourrait provoquer des blessures et endommager l'appareil.

### Masquage d'une surface pour déterminer l'émissivité

Pour déterminer l'effet de l'émissivité sur la mesure, couvrir la surface avec du ruban de masquage ou de la peinture noire mate (s'assurer que le ruban ou la peinture supportent la température prévue). L'émissivité de ces deux matériaux est d'environ 0,95. Laisser le ruban ou la peinture atteindre la température du matériau recouvert. Mesurer la température de la surface couverte et d'une surface avoisinante. Les valeurs obtenues doivent être à peu près égales. Si ce n'est pas le cas, il est possible que l'émissivité fausse les mesures.

### Compenser l'effet de l'émissivité

- Si la température de la surface est connue, ajuster l'émissivité jusqu'à ce que la mesure de l'appareil corresponde à la température connue.
- Si le matériau de la surface est connu, ajuster l'émissivité conformément au tableau des émissivités courantes à la page suivante.
- Sinon, masquer la surface comme décrit ci-dessus. Mesurer la température de la surface masquée avec l'émissivité réglée sur 0,95. Mesurer la température de la surface non masquée et ajuster l'émissivité de telle manière que ces températures concordent. Noter la valeur d'émissivité pour d'éventuelles mesures ultérieures sur cette surface.

## Émissivité (suite)

### Émissivités courantes

Matériau	Emissivité
Aluminium	0,30
Amiante	0,95
Asphalte	0,95
Basalte	0,70
Laiton*	0,50
Brique	0,90
Carbone	0,85
Céramique	0,95
Béton	0,95
Cuivre*	0,95
Terre	0,94
Nourriture (surgelée)	0,90
Nourriture (cuite)	0,93
Verre (plaque)	0,85
Glace	0,98

\* oxydé

\*\* opaque, sur 0,51 mm (0,0020 po) d'épaisseur

\*\*\* naturel

Matériau	Emissivité
Fer*	0,70
Plomb*	0,50
Pierre calcaire	0,98
Huile	0,94
Peinture	0,93
Papier	0,95
Plastique**	0,95
Caoutchouc	0,95
Sable	0,90
Neige	0,90
Acier*	0,80
Textiles	0,94
Eau	0,93
Bois***	0,94

## Précision

### Table de précision du capteur infrarouge

Température cible	Température ambiante	Précision
15 °C à 35 °C	25 °C	± 1,5 °C
-60 °C à 0 °C	20 °C à 26 °C	± (2,0–0,05 x mesure) °C
0 °C à 550 °C		± 2,0 % de la mesure ou 2 °C, la plus grande des deux valeurs
59 °F à 95 °F	77 °F	± 2,7 °F
-76 °F à 32 °F	73 °F à 79 °F	± (5,2–0,05 x mesure) °F
32 °F à 1 022 °F		± 2,0 % de la mesure ou 4 °F, la plus grande des deux valeurs

## Caractéristiques techniques

Affichage : écran LCD 4 chiffres (affichage jusqu'à 999,9 ou 9999)

Temps de réponse : 1 seconde, réponse à 90 %

Plage de température :

Capteur infrarouge : -60 °C à 550 °C (-76 °F à 1 022 °F)

Réponse spectrale : 8 à 14 µm

Fidélité : ± 0,5 % de la mesure ou ± 1 °C (± 2 °F) (la plus grande des deux valeurs)

Émissivité : 0,10 à 1,0, réglage numérique

Plage de température ambiante d'exploitation : 0 °C à 50 °C (32 °F à 122 °F)\*

Humidité relative : 10 % à 90 % (sans condensation) à une température ambiante < 30 °C (86 °F)

Altitude : 2 000 m (6 500 pieds) maximum

Conditions d'entreposage : -10 °C à 60 °C (14 °F à 140 °F)\*

Enlever les piles.

Piles : deux piles de 1,5 V (AAA, NEDA 24A ou IEC LR03)

\* Pour optimiser la précision, laisser l'appareil se stabiliser pendant 30 minutes après une importante variation de température.

## Déclaration de conformité

Greenlee Tools, Inc. est certifiée selon ISO 9001 (2000) pour nos Systèmes de gestion de la qualité.

L'instrument ci-inclus a été vérifié et/ou étalonné avec des moyens de mesure raccordés aux étalons du National Institute of Standards and Technology (NIST).

## Entretien

### **ATTENTION**

Risque de décharge électrique :

Ne pas tenter de réparer cet appareil. Il ne contient aucune pièce réparable par l'utilisateur.

Veiller à respecter cette mise en garde pour écarter les risques de blessure et des dommages à l'appareil.

### Remplacement des piles

1. Glisser le couvercle vers le bas en l'écartant de la poignée.
2. Changer les piles (respecter la polarité).
3. Refermer le couvercle des piles.

### Nettoyage

#### Objectif

1. Souffler les poussières avec de l'air comprimé propre.
2. Épousseter délicatement toute saleté restante avec un pinceau en poil de chameau ou un chiffon doux.
3. Avec précaution, essuyer la surface avec un coton-tige humecté d'eau.

*Remarque : Ne pas utiliser de solvant !*

#### Boîtier

Essuyer régulièrement le boîtier avec un chiffon humide et un détergent doux. Ne pas utiliser de produit abrasif ou de solvant.

### Garantie à vie limitée

La société Greenlee Tools, Inc. garantit à l'acheteur d'origine de ces produits que ces derniers ne comportent aucun défaut d'exécution ou de matériau pour la durée de leur vie utile, sauf l'usure normale. Cette garantie est assujettie aux mêmes conditions que celles contenues dans les modalités et conditions de la garantie limitée standard d'un an de Greenlee Tools, Inc.

Pour toutes les réparations d'instruments de mesure, appeler le service après vente au 800 435-0786 et demander une autorisation de retour.

Lorsque les articles ne sont pas protégés par une garantie (comme si l'appareil tombe, s'il est soumis à un usage abusif, etc.), une soumission pour le prix de réparation sera présentée sur demande.

*Remarque : Avant de renvoyer un appareil de mesure, veuillez vérifier les piles remplaçables ou vous assurer que la batterie est complètement chargée.*